



# NOTICE OF INCORPORATION

## *United States Legal Document*

 All citizens and residents are hereby advised that this is a legally binding document duly incorporated by reference and that failure to comply with such requirements as hereby detailed within may subject you to criminal or civil penalties under the law. Ignorance of the law shall not excuse noncompliance and it is the responsibility of the citizens to inform themselves as to the laws that are enacted in the United States of America and in the states and cities contained therein. 

\* \*  
\*

ASME BPVC I (2010), Boiler & Pressure Vessel Code, Rules for Construction of Power Boilers, as required by the States of Colorado, Connecticut, Delaware, Indiana, Minnesota, Mississippi, Nevada, New York, North Carolina, Oklahoma, Rhode Island, South Carolina, Tennessee, Texas, et. alia.

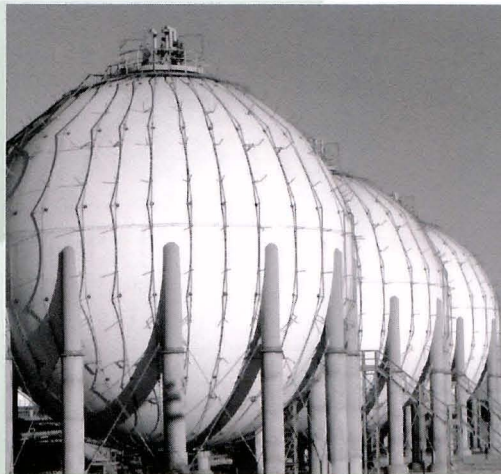
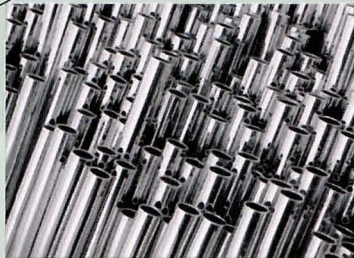
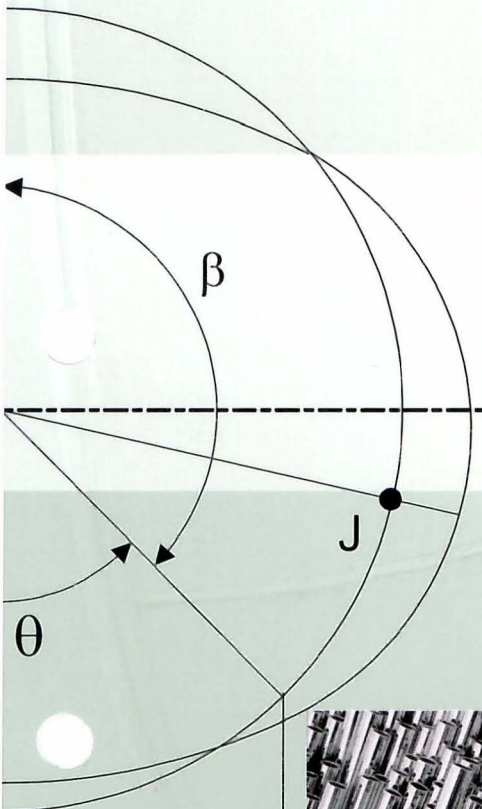


# 2010 ASME Boiler and Pressure Vessel Code

AN INTERNATIONAL CODE

I

## Rules for Construction of Power Boilers



**ASME**  
SETTING THE STANDARD



AN INTERNATIONAL CODE

# 2010 ASME Boiler & Pressure Vessel Code

2010 Edition

July 1, 2010

# I

## **RULES FOR CONSTRUCTION OF POWER BOILERS**

**ASME Boiler and Pressure Vessel Committee on Power Boilers**



Three Park Avenue • New York, NY • 10016 USA

Date of Issuance: July 1, 2010  
(Includes all Addenda dated July 2009 and earlier)

This international code or standard was developed under procedures accredited as meeting the criteria for American National Standards and it is an American National Standard. The Standards Committee that approved the code or standard was balanced to assure that individuals from competent and concerned interests have had an opportunity to participate. The proposed code or standard was made available for public review and comment that provides an opportunity for additional public input from industry, academia, regulatory agencies, and the public-at-large.

ASME does not “approve,” “rate,” or “endorse” any item, construction, proprietary device, or activity.

ASME does not take any position with respect to the validity of any patent rights asserted in connection with any items mentioned in this document, and does not undertake to insure anyone utilizing a standard against liability for infringement of any applicable letters patent, nor assume any such liability. Users of a code or standard are expressly advised that determination of the validity of any such patent rights, and the risk of infringement of such rights, is entirely their own responsibility.

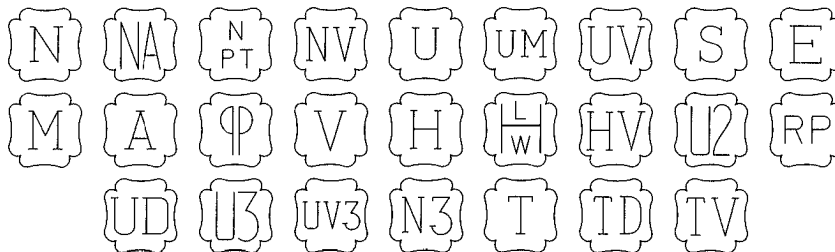
Participation by federal agency representative(s) or person(s) affiliated with industry is not to be interpreted as government or industry endorsement of this code or standard.

ASME accepts responsibility for only those interpretations of this document issued in accordance with the established ASME procedures and policies, which precludes the issuance of interpretations by individuals.

The footnotes in this document are part of this American National Standard.



ASME collective membership mark



The above ASME symbols are registered in the U.S. Patent Office.

“ASME” is the trademark of the American Society of Mechanical Engineers.

No part of this document may be reproduced in any form, in an electronic retrieval system or otherwise, without the prior written permission of the publisher.

Library of Congress Catalog Card Number: 56-3934  
Printed in the United States of America

Adopted by the Council of the American Society of Mechanical Engineers, 1914.  
Revised 1940, 1941, 1943, 1946, 1949, 1952, 1953, 1956, 1959, 1962, 1965, 1968, 1971, 1974, 1977, 1980, 1983, 1986, 1989, 1992, 1995, 1998, 2001, 2004, 2007, 2010

The American Society of Mechanical Engineers  
Three Park Avenue, New York, NY 10016-5990

Copyright © 2010 by  
THE AMERICAN SOCIETY OF MECHANICAL ENGINEERS  
*All Rights Reserved*

# CONTENTS

List of Sections .....		xiii
Foreword .....		xv
Statements of Policy .....		xvii
Personnel .....		xviii
Preamble .....		xxx
Summary of Changes .....		xxxii
List of Changes in Record Number Order .....		xxxvii
<b>PART PG</b>	<b>GENERAL REQUIREMENTS FOR ALL METHODS OF</b>	
	<b>CONSTRUCTION .....</b>	<b>1</b>
<b>General</b>		
PG-1	Scope .....	1
PG-2	Service Limitations .....	1
PG-3	Referenced Standards .....	1
PG-4	Units .....	1
<b>Materials</b>		
PG-5	General .....	2
PG-6	Plate .....	3
PG-7	Forgings .....	3
PG-8	Castings .....	3
PG-9	Pipes, Tubes, and Pressure-Containing Parts .....	4
PG-10	Material Identified With or Produced to a Specification Not Permitted by This Section, and Material Not Fully Identified .....	6
PG-11	Miscellaneous Pressure Parts .....	8
PG-12	Water Level Indicators and Connector Material .....	9
PG-13	Stays .....	9
PG-14	Rivets .....	9
<b>Design</b>		
PG-16	General .....	10
PG-17	Fabrication by a Combination of Methods .....	10
PG-18	Design Validation by Proof Test .....	10
PG-19	Cold Forming of Austenitic Materials .....	10
PG-20	Cold Forming of Creep Strength Enhanced Ferritic Steels .....	11
PG-21	Maximum Allowable Working Pressure .....	11
PG-22	Loadings .....	11
PG-23	Stress Values for Calculation Formulas .....	11
PG-25	Quality Factors for Steel Castings .....	13
PG-26	Weld Joint Strength Reduction Factor .....	15
PG-27	Cylindrical Components Under Internal Pressure .....	15
PG-28	Welded Access or Inspection Openings Under External Pressure .....	20
PG-29	Dished Heads .....	20
PG-30	Stayed Dished Heads .....	22
PG-31	Unstayed Flat Heads and Covers .....	22

## Openings and Compensation

PG-32	Openings in Shells, Headers, and Dished Heads .....	26
PG-33	Compensation Required for Openings in Shells and Dished Heads .....	27
PG-34	Flanged-In Openings in Formed Heads .....	30
PG-35	Compensation Required for Openings in Flat Unstayed Heads and Flat Stayed Plates .....	30
PG-36	Limits of Metal Available for Compensation .....	31
PG-37	Strength of Compensation .....	31
PG-38	Compensation for Multiple Openings .....	32
PG-39	Methods of Attachment of Pipe and Nozzle Necks to Vessel Walls .....	32
PG-42	General Requirements for Fittings, Flanges, and Valves .....	33
PG-43	Nozzle Neck Thickness .....	36
PG-44	Inspection Openings .....	36
PG-46	Stayed Surfaces .....	37
PG-47	Staybolts .....	37
PG-48	Location of Staybolts .....	38
PG-49	Dimensions of Staybolts .....	38
PG-52	Ligaments .....	38
PG-53	Ligaments .....	41
PG-55	Supports and Attachment Lugs .....	41

## Boiler External Piping and Boiler Proper Connections

PG-58	Outlets and External Piping .....	41
PG-59	Application Requirements for the Boiler Proper .....	48

## Design and Application

PG-60	Requirements for Miscellaneous Pipe, Valves, and Fittings .....	50
PG-61	Feedwater Supply .....	53

## Overpressure Protection Requirements

PG-67	Boiler .....	54
PG-68	Superheater and Reheater .....	57
PG-69	Certification of Capacity of Pressure Relief Valves .....	58
PG-70	Capacity of Pressure Relief Valves .....	63
PG-71	Mounting of Pressure Relief Valves .....	65
PG-72	Operation of Pressure Relief Valves .....	67
PG-73	Minimum Requirements for Pressure Relief Valves .....	68

## Fabrication

PG-75	General .....	72
PG-76	Cutting Plates and Other Stock .....	72
PG-77	Plate Identification .....	72
PG-78	Repairs of Defects in Materials .....	72
PG-79	Tube Holes and Ends .....	72
PG-80	Permissible Out-of-Roundness of Cylindrical Shells .....	72
PG-81	Tolerance for Formed Heads .....	73
PG-82	Holes for Stays .....	73

## Inspection and Tests

PG-90	General .....	74
PG-91	Qualification of Inspectors .....	74
PG-93	Inspection and Repair of Flat Plate in Corner Joints .....	75
PG-99	Hydrostatic Test .....	75



## Certification by Stamping and Data Reports

PG-101	Heating Surface Computation.....	75
PG-104	General .....	76
PG-105	Code Symbol Stamps .....	76
PG-106	Stamping of Boilers .....	78
PG-107	Field Assembly .....	80
PG-108	Stamping for Field-Assembled Boilers.....	81
PG-109	Stamping of Pressure Piping.....	81
PG-110	Stamping of Boiler Pressure Relief Valves.....	82
PG-111	Location of Stampings .....	82
PG-112	Manufacturer's Data Report Forms.....	83
PG-113	Master Data Report Form .....	85

## Figures

PG-28	Maximum Internal Projection of Welded Access or Inspection Openings.....	20
PG-31	Some Acceptable Types of Unstayed Flat Heads and Covers .....	23
PG-33.1	Nomenclature and Formulas for Reinforced Openings.....	28
PG-33.2	Some Representative Configurations Describing the Dimensions $t_e$ , $h$ , and $d$ .....	29
PG-33.3	Chart for Determining Value of $F$ .....	30
PG-38	Illustrations of the Rule Given in PG-38.4 .....	32
PG-42.1	Welding End Transitions Maximum Envelope.....	35
PG-46.2	Acceptable Proportions for Ends of Through-Stays .....	37
PG-52.1	Diagram for Determining the Efficiency of Longitudinal and Diagonal Ligaments Between Openings in Cylindrical Shells.....	39
PG-52.2	Example of Tube Spacing With Pitch of Holes Equal in Every Row.....	40
PG-52.3	Example of Tube Spacing With Pitch of Holes Unequal in Every Second Row .....	40
PG-52.4	Example of Tube Spacing With Pitch of Holes Varying in Every Second and Third Row .....	40
PG-52.5	Example of Tube Spacing With Tube Holes on Diagonal Lines.....	40
PG-52.6	Diagram for Determining Equivalent Longitudinal Efficiency of Diagonal Ligaments Between Openings in Cylindrical Shells.....	42
PG-58.3.1(a)	Code Jurisdictional Limits for Piping — Drum Type Boilers .....	43
PG-58.3.1(b)	Code Jurisdictional Limits for Piping — Isolable Economizers Located in Feedwater Piping and Isolable Superheaters in Main Steam Piping.....	44
PG-58.3.1(c)	Code Jurisdictional Limits for Piping — Reheaters and Nonintegral Separately Fired Superheaters .....	45
PG-58.3.2	Code Jurisdictional Limits for Piping — An Example of Forced-Flow Steam Generators With No Fixed Steam or Waterline.....	46
PG-58.3.3	Code Jurisdictional Limits for Piping — An Example of Steam Separator Type Forced-Flow Steam Generators With No Fixed Steam or Waterline.....	47
PG-59.1	Typical Boiler Bushings .....	49
PG-60.3.7	Y-Type Globe Valve .....	52
PG-60.3.9	Typical Arrangement of Steam and Water Connections for a Water Column ....	53
PG-67.4	Requirements for Overpressure Protection Forced-Flow Steam Generator .....	56
PG-80	Maximum Permissible Deviation From a Circular Form, $e$ , for Cylindrical Parts Under External Pressure.....	73
PG-105.1	Official Symbols for Stamps to Denote The American Society of Mechanical Engineers' Standard for Boilers .....	76
PG-105.2	Official Symbol for Stamp to Denote The American Society of Mechanical Engineers' Standard for Assembly.....	76
PG-105.3	Official Symbol for Stamp to Denote The American Society of Mechanical Engineers' Standard for Welded Piping.....	76

PG-105.4	Official Symbol for Stamp to Denote The American Society of Mechanical Engineers' Standard for Boiler Pressure Relief Valves .....	77
PG-106	Form of Stamping .....	79
<b>Tables</b>		
PG-19	Post Cold-Forming Strain Limits and Heat-Treatment Requirements.....	12
PG-20	Post Cold-Forming Strain Limits and Heat-Treatment Requirements.....	13
PG-26	Weld Strength Reduction Factors to Be Applied When Calculating Maximum Allowable Working Pressure or Minimum Required Thickness of Components Fabricated With a Longitudinal Seam Weld.....	16
PG-39	Minimum Number of Threads Per Connection .....	33
PG-68.7	Superheat Correction Factor, $K_{sh}$ .....	59
PG-68.7M	Superheat Correction Factor, $K_{sh}$ .....	60
PG-69.2.3	Supercritical Correction Factor, $K_{sc}$ .....	64
PG-69.2.3M	Supercritical Correction Factor, $K_{sc}$ .....	66
<b>PART PW</b>	<b>REQUIREMENTS FOR BOILERS FABRICATED BY WELDING .....</b>	<b>86</b>
<b>General</b>		
PW-1	General .....	86
<b>Materials</b>		
PW-5	General .....	86
<b>Design</b>		
PW-8	General .....	87
PW-9	Design of Welded Joints .....	87
PW-10	Heat Treatment .....	88
PW-11	Volumetric Examination of Welded Butt Joints.....	88
PW-13	Head-to-Flange Requirements .....	88
PW-14	Openings in or Adjacent to Welds .....	90
PW-15	Welded Connections.....	90
PW-16	Minimum Requirements for Attachment Welds.....	90
PW-19	Welded-In Stays .....	97
<b>Fabrication</b>		
PW-26	General .....	97
PW-27	Welding Processes .....	97
PW-28	Welding Qualification and Weld Records .....	98
PW-29	Base Metal Preparation .....	100
PW-31	Assembly.....	100
PW-33	Alignment Tolerance, Shells and Vessels (Including Pipe or Tube Used as a Shell) .....	100
PW-34	Alignment, Tube and Pipe.....	100
PW-35	Finished Longitudinal and Circumferential Joints .....	100
PW-36	Miscellaneous Welding Requirements .....	101
PW-38	Preheating .....	101
PW-39	Requirements for Postweld Heat Treatment .....	101
PW-40	Repair of Defects .....	112
PW-41	Circumferential Joints in Pipes, Tubes, and Headers .....	113
PW-42	Joints in Valves and Other Boiler Appurtenances .....	114
PW-43	Loading on Structural Attachments.....	114
PW-44	Fabrication Rules for Bimetallic Tubes When the Clad Strength Is Included.....	115

## Inspection and Tests

PW-46	General .....	118
PW-47	Check of Welding Procedure .....	118
PW-48	Check of Welder and Welding Operator Performance Qualifications.....	118
PW-49	Check of Heat Treatment Practice.....	119
PW-50	Qualification of Nondestructive Examination Personnel .....	119
PW-51	Radiographic Examination .....	119
PW-52	Ultrasonic Examination .....	119
PW-53	Test Plates.....	120
PW-54	Hydrostatic Test.....	122

## Figures

PW-9.1	Butt Welding of Plates of Unequal Thickness .....	87
PW-9.2	Prohibited Welded Joint.....	88
PW-15	Examples of Weld Strength Calculations.....	91
PW-16.1	Some Acceptable Types of Welded Nozzles and Other Connections to Shells, Drums, and Headers .....	92
PW-16.2	Some Acceptable Forms of Welds for Lugs, Hangers, and Brackets on Shells, Drums, and Headers .....	96
PW-19.4(a)	Some Acceptable Types of Diagonal Braces for Installation by Welding.....	98
PW-19.4(b)	Unacceptable Types of Diagonal Braces for Installation by Welding.....	98
PW-43.1	Method of Computation of Attachments to Tubes .....	114
PW-43.2	Chart for Determining Load Factor, $L_f$ .....	116
PW-53.1	Test Specimens From Longitudinal Welded Test Plates .....	121
PW-53.2	Method of Forming Longitudinal Test Plates.....	121
PW-53.3(a)	Details of Tension Test Specimens.....	123
PW-53.3(b)	Details of Bend Test Specimens .....	124

## Tables

PW-11	Required Volumetric Examination of Welded Butt Joints.....	89
PW-33	Alignment Tolerance of Sections to Be Butt Welded.....	100
PW-39	Mandatory Requirements for Postweld Heat Treatment of Pressure Parts and Attachments .....	103
PW-39.1	Alternate Postweld Heat Treatment Requirements for Carbon and Low Alloy Steels .....	112
PW-43.1	Tube Attachment Angle Design Factor, $K$ .....	116

<b>PART PR</b>	<b>REQUIREMENTS FOR BOILERS FABRICATED BY RIVETING .....</b>	<b>125</b>
----------------	--	------------

<b>PART PB</b>	<b>REQUIREMENTS FOR BOILERS FABRICATED BY BRAZING .....</b>	<b>126</b>
----------------	---	------------

## General

PB-1	General .....	126
------	---------------	-----

## Materials

PB-5	General .....	127
PB-6	Brazing Filler Metals .....	127
PB-7	Fluxes and Atmospheres .....	127

## Design

PB-8	General .....	127
PB-9	Strength of Brazed Joints .....	127
PB-10	Brazed Joint Efficiency .....	128
PB-14	Application of Brazing Filler Metal .....	128
PB-15	Permissible Types of Joints .....	128

PB-16	Joint Clearance.....	128
PB-17	Joint Brazing Procedure.....	128
PB-18	Openings.....	128
PB-19	Brazed Connections.....	128
<b>Fabrication</b>		
PB-26	General.....	129
PB-28	Qualification of Brazing Procedure.....	129
PB-29	Qualification of Brazers and Brazing Operators.....	130
PB-30	Cleaning of Surfaces to Be Brazed.....	130
PB-31	Clearance Between Surfaces to Be Brazed.....	130
PB-32	Postbrazing Operations.....	130
PB-33	Repair of Defective Brazing.....	130
<b>Inspection and Tests</b>		
PB-46	General.....	130
PB-47	Check of Brazing Procedure.....	130
PB-48	Brazer and Brazing Operator.....	131
PB-49	Visual Examination.....	131
PB-50	Exemptions.....	131
<b>Marking and Reports</b>		
PB-51	General.....	131
<b>Figure</b>		
PB-15	Some Acceptable Types of Brazed Joints.....	129
<b>Tables</b>		
PB-1	Maximum Design Temperatures [ $^{\circ}$ F ( $^{\circ}$ C)] for Brazing Filler Metal.....	127
PB-16	Recommended Joint Clearance at Brazing Temperature.....	129
<b>PART PWT</b>	<b>REQUIREMENTS FOR WATERTUBE BOILERS.....</b>	<b>132</b>
<b>General</b>		
PWT-1	General.....	132
<b>Materials</b>		
PWT-5	General.....	132
<b>Design</b>		
PWT-8	General.....	132
PWT-9	Tubes and Pipe.....	132
PWT-11	Tube Connections.....	132
PWT-12	Staybolting Box-Type Headers.....	134
PWT-13	Staying Segment of Heads.....	134
PWT-14	Firing Doors.....	134
PWT-15	Access and Firing Doors.....	134
<b>Figures</b>		
PWT-11	Examples of Acceptable Forms of Tube Attachment.....	133
PWT-12.1	Box-Type Header Joint.....	134
PWT-12.2	Method of Forming Waterleg Joints by Welding.....	134

<b>PART PFT</b>	<b>REQUIREMENTS FOR FIRETUBE BOILERS</b> .....	135
<b>General</b>		
PFT-1	General .....	135
<b>Materials</b>		
PFT-5	General .....	135
<b>Design</b>		
PFT-8	General .....	135
PFT-9	Thickness Requirements .....	135
PFT-10	Shell Joints .....	135
PFT-11	Attachment of Heads and Tubesheets.....	135
PFT-12	Tubes .....	136
<b>Combustion Chambers</b>		
PFT-13	Combustion Chamber Tubesheet .....	137
PFT-14	General .....	138
PFT-15	Plain Circular Furnaces .....	138
PFT-17	Ring-Reinforced Type .....	138
PFT-18	Corrugated Furnaces.....	139
PFT-19	Combined Plain Circular and Corrugated Type.....	139
PFT-20	Attachment of Furnaces.....	140
PFT-21	Fireboxes and Waterlegs .....	140
<b>Stayed Surfaces</b>		
PFT-22	General .....	141
PFT-23	Working Pressure for Stayed Curved Surfaces.....	141
PFT-24	Staying Horizontal Return Tube Boilers .....	143
PFT-25	Staying Segments of Heads .....	143
PFT-26	Area Supported by Stay.....	143
PFT-27	Maximum Spacing .....	143
PFT-28	Staybolts and Stays.....	145
PFT-29	Flexible Staybolts .....	145
PFT-30	Crown Bars and Girder Stays.....	145
PFT-31	Stay Tubes .....	146
PFT-32	Stresses in Diagonal Stays .....	146
<b>Doors and Openings</b>		
PFT-40	Welded Door Openings .....	146
PFT-41	Openings in Wrapper Sheets .....	147
PFT-42	Fireside Access Openings .....	147
PFT-43	Requirements for Inspection Openings.....	147
PFT-44	Opening Between Boiler and Pressure Relief Valve.....	147
<b>Domes</b>		
PFT-45	Requirements for Domes.....	147
<b>Setting</b>		
PFT-46	Method of Support .....	148

## **Piping, Fittings, and Appliances**

PFT-47	Water Level Indicators.....	149
PFT-48	Feed Piping.....	149
PFT-49	Blowoff Piping.....	149
PFT-50	Thickness of Furnaces and Tubes Under External Pressure.....	149
PFT-51	Maximum Allowable Working Pressure.....	150
PFT-52	Fusible Plugs.....	151

## **Figures**

PFT-12.1	Some Acceptable Forms of Tube Attachment on Firetube Boilers.....	136
PFT-17.2	Acceptable Type of Ring-Reinforced Furnace.....	138
PFT-18.1	Morison Furnace.....	139
PFT-19	Connection Between Plain and Corrugated Furnace.....	140
PFT-20	Welding Ogee Ring.....	140
PFT-21	Some Acceptable Methods of Forming Waterleg Joints by Welding.....	141
PFT-23.1	Stayed Wrapper Sheet of Locomotive-Type Boiler.....	142
PFT-25	Example of Staying of Heads Adjacent to Cylindrical Furnaces.....	143
PFT-27	Pitch of Staybolts Adjacent to Upper Corners of Fireboxes.....	144
PFT-32	Measurements for Determining Stresses in Diagonal Stays.....	146
PFT-46.1	Spacing and Weld Details for Wall-Support Lugs Set in Pairs on Horizontal-Return Tubular Boilers.....	148
PFT-46.2	Welded Bracket Connection for Horizontal-Return Tubular Boilers.....	149

<b>PART PFH</b>	<b>OPTIONAL REQUIREMENTS FOR FEEDWATER HEATER (WHEN LOCATED WITHIN SCOPE OF SECTION I RULES).....</b>	<b>152</b>
PFH-1	.....	152

<b>PART PMB</b>	<b>REQUIREMENTS FOR MINIATURE BOILERS.....</b>	<b>153</b>
-----------------	--	------------

### **General**

PMB-1	General.....	153
PMB-2	Scope.....	153

### **Materials**

PMB-5	General.....	153
-------	--------------	-----

### **Design**

PMB-8	General.....	153
PMB-9	Welding.....	153
PMB-10	Washout Openings.....	154
PMB-11	Feedwater Supply.....	154
PMB-12	Blowoff.....	154
PMB-13	Water Gages.....	154
PMB-14	Fixtures and Fittings.....	154
PMB-15	Pressure Relief Valves.....	154
PMB-16	Steam Stop Valves.....	154
PMB-17	Automatic Devices.....	154
PMB-21	Hydrostatic Tests and Inspection.....	154

<b>PART PEB</b>	<b>REQUIREMENTS FOR ELECTRIC BOILERS.....</b>	<b>156</b>
-----------------	---	------------

### **General**

PEB-1	General.....	156
PEB-2	Scope.....	156
PEB-3	Optional Requirements for the Boiler Pressure Vessel.....	156

<b>Materials</b>		
PEB-5	General .....	156
<b>Design</b>		
PEB-8	General .....	157
PEB-9	Welding .....	157
PEB-10	Inspection Openings .....	157
PEB-11	Feedwater Supply .....	157
PEB-12	Blowoff .....	157
PEB-13	Water Level Indicators .....	157
PEB-14	Pressure Gages .....	157
PEB-15	Pressure Relief Valves .....	157
PEB-16	Automatic Devices .....	158
PEB-17	Hydrostatic Test .....	158
PEB-18	Inspection and Stamping of Boilers .....	158
PEB-19	Manufacturer's Data Report for Electric Boilers .....	159
<b>PART PVG</b>	<b>REQUIREMENTS FOR ORGANIC FLUID VAPORIZERS .....</b>	<b>160</b>
<b>General</b>		
PVG-1	General .....	160
<b>Materials</b>		
PVG-5	General .....	160
<b>Design</b>		
PVG-8	General .....	160
PVG-9	General Requirements .....	160
PVG-10	Gage Glasses .....	160
PVG-11	Drain Valves .....	160
PVG-12	Pressure Relief Valves .....	160
<b>Figure</b>		
PVG-12	Constant, $C$ , for Vapor Related to Ratio of Specific Heats ( $k = c_p/c_v$ ) .....	161
<b>PART PHRSG</b>	<b>REQUIREMENTS FOR HEAT RECOVERY STEAM GENERATORS .....</b>	<b>162</b>
PHRSG-1	General .....	162
PHRSG-2	Scope .....	162
PHRSG-3	Requirements for Superheater and Reheater Condensate Removal Connections .....	162
PHRSG-4	Desuperheater Drain Pots .....	162
PHRSG-5	Certification .....	164
<b>Figure</b>		
PHRSG-4	Some Acceptable Desuperheater Spraywater Protection Device Arrangements .....	163
<b>Table</b>		
PHRSG-4	Minimum Drain Pot Size .....	164

**MANDATORY APPENDICES**

I	Submittal of Technical Inquiries to the Boiler and Pressure Vessel Committee .....	165
II	Standard Units for Use in Equations .....	167
III	Criteria for Reapplication of an ASME Code Symbol Stamp.....	168

**NONMANDATORY APPENDIX**

A	Explanation of the Code Containing Matter Not Mandatory Unless Specifically Referred to in the Rules of the Code.....	174
---	--	-----

<b>Index</b>	.....	264
--------------	-------	-----



# 2010 ASME

## BOILER AND PRESSURE VESSEL CODE

(10)

### SECTIONS

- I Rules for Construction of Power Boilers
- II Materials
  - Part A — Ferrous Material Specifications
  - Part B — Nonferrous Material Specifications
  - Part C — Specifications for Welding Rods, Electrodes, and Filler Metals
  - Part D — Properties (Customary)
  - Part D — Properties (Metric)
- III Rules for Construction of Nuclear Facility Components
  - Subsection NCA — General Requirements for Division 1 and Division 2
  - Division 1
    - Subsection NB — Class 1 Components
    - Subsection NC — Class 2 Components
    - Subsection ND — Class 3 Components
    - Subsection NE — Class MC Components
    - Subsection NF — Supports
    - Subsection NG — Core Support Structures
    - Subsection NH — Class 1 Components in Elevated Temperature Service
  - Appendices
  - Division 2 — Code for Concrete Containments
  - Division 3 — Containments for Transportation and Storage of Spent Nuclear Fuel and High Level Radioactive Material and Waste
- IV Rules for Construction of Heating Boilers
- V Nondestructive Examination
- VI Recommended Rules for the Care and Operation of Heating Boilers
- VII Recommended Guidelines for the Care of Power Boilers
- VIII Rules for Construction of Pressure Vessels
  - Division 1
  - Division 2 — Alternative Rules
  - Division 3 — Alternative Rules for Construction of High Pressure Vessels
- IX Welding and Brazing Qualifications
- X Fiber-Reinforced Plastic Pressure Vessels
- XI Rules for Inservice Inspection of Nuclear Power Plant Components
- XII Rules for Construction and Continued Service of Transport Tanks

## **ADDENDA**

Addenda, which include additions and revisions to individual Sections of the Code, will be sent automatically to purchasers of the applicable Sections up to the publication of the 2013 Code. The 2010 Code is available only in the loose-leaf format; accordingly, the Addenda will be issued in the loose-leaf, replacement-page format.

## **INTERPRETATIONS**

ASME issues written replies to inquiries concerning interpretation of technical aspects of the Code. The Interpretations for each individual Section will be published separately and will be included as part of the update service to that Section. Interpretations of Section III, Divisions 1

and 2, will be included with the update service to Subsection NCA.

Interpretations of the Code are posted in January and July at [www.cstools.asme.org/interpretations](http://www.cstools.asme.org/interpretations).

## **CODE CASES**

The Boiler and Pressure Vessel Committee meets regularly to consider proposed additions and revisions to the Code and to formulate Cases to clarify the intent of existing requirements or provide, when the need is urgent, rules for materials or constructions not covered by existing Code rules. Those Cases that have been adopted will appear in the appropriate 2010 Code Cases book: “Boilers and Pressure Vessels” and “Nuclear Components.” Supplements will be sent automatically to the purchasers of the Code Cases books up to the publication of the 2013 Code.

# FOREWORD

(10)

The American Society of Mechanical Engineers set up a committee in 1911 for the purpose of formulating standard rules for the construction of steam boilers and other pressure vessels. This committee is now called the Boiler and Pressure Vessel Committee.

The Committee's function is to establish rules of safety, relating only to pressure integrity, governing the construction<sup>1</sup> of boilers, pressure vessels, transport tanks and nuclear components, and inservice inspection for pressure integrity of nuclear components and transport tanks, and to interpret these rules when questions arise regarding their intent. This code does not address other safety issues relating to the construction of boilers, pressure vessels, transport tanks and nuclear components, and the inservice inspection of nuclear components and transport tanks. The user of the Code should refer to other pertinent codes, standards, laws, regulations, or other relevant documents. With few exceptions, the rules do not, of practical necessity, reflect the likelihood and consequences of deterioration in service related to specific service fluids or external operating environments. Recognizing this, the Committee has approved a wide variety of construction rules in this Section to allow the user or his designee to select those which will provide a pressure vessel having a margin for deterioration in service so as to give a reasonably long, safe period of usefulness. Accordingly, it is not intended that this Section be used as a design handbook; rather, engineering judgment must be employed in the selection of those sets of Code rules suitable to any specific service or need.

This Code contains mandatory requirements, specific prohibitions, and nonmandatory guidance for construction activities. The Code does not address all aspects of these activities and those aspects which are not specifically addressed should not be considered prohibited. The Code is not a handbook and cannot replace education, experience, and the use of engineering judgment. The phrase *engineering judgment* refers to technical judgments made by knowledgeable designers experienced in the application of the Code. Engineering judgments must be consistent with Code philosophy and such judgments must never be used to overrule mandatory requirements or specific prohibitions of the Code.

---

<sup>1</sup> *Construction*, as used in this Foreword, is an all-inclusive term comprising materials, design, fabrication, examination, inspection, testing, certification, and pressure relief.

The Committee recognizes that tools and techniques used for design and analysis change as technology progresses and expects engineers to use good judgment in the application of these tools. The designer is responsible for complying with Code rules and demonstrating compliance with Code equations when such equations are mandatory. The Code neither requires nor prohibits the use of computers for the design or analysis of components constructed to the requirements of the Code. However, designers and engineers using computer programs for design or analysis are cautioned that they are responsible for all technical assumptions inherent in the programs they use and they are responsible for the application of these programs to their design.

The Code does not fully address tolerances. When dimensions, sizes, or other parameters are not specified with tolerances, the values of these parameters are considered nominal and allowable tolerances or local variances may be considered acceptable when based on engineering judgment and standard practices as determined by the designer.

The Boiler and Pressure Vessel Committee deals with the care and inspection of boilers and pressure vessels in service only to the extent of providing suggested rules of good practice as an aid to owners and their inspectors.

The rules established by the Committee are not to be interpreted as approving, recommending, or endorsing any proprietary or specific design or as limiting in any way the manufacturer's freedom to choose any method of design or any form of construction that conforms to the Code rules.

The Boiler and Pressure Vessel Committee meets regularly to consider revisions of the rules, new rules as dictated by technological development, Code Cases, and requests for interpretations. Only the Boiler and Pressure Vessel Committee has the authority to provide official interpretations of this Code. Requests for revisions, new rules, Code Cases, or interpretations shall be addressed to the Secretary in writing and shall give full particulars in order to receive consideration and action (see Mandatory Appendix covering preparation of technical inquiries). Proposed revisions to the Code resulting from inquiries will be presented to the Main Committee for appropriate action. The action of the Main Committee becomes effective only after confirmation by letter ballot of the Committee and approval by ASME.

Proposed revisions to the Code approved by the Committee are submitted to the American National Standards Institute and published at <http://cstools.asme.org/csconnect/public/index.cfm?PublicReview=Revisions> to invite comments from all interested persons. After the allotted time for public review and final approval by ASME, revisions are published in updates to the Code.

Code Cases may be used in the construction of components to be stamped with the ASME Code symbol beginning with the date of their approval by ASME.

After Code revisions are approved by ASME, they may be used beginning with the date of issuance. Revisions, except for revisions to material specifications in Section II, Parts A and B, become mandatory six months after such date of issuance, except for boilers or pressure vessels contracted for prior to the end of the six-month period. Revisions to material specifications are originated by the American Society for Testing and Materials (ASTM) and other recognized national or international organizations, and are usually adopted by ASME. However, those revisions may or may not have any effect on the suitability of material, produced to earlier editions of specifications, for use in ASME construction. ASME material specifications approved for use in each construction Code are listed in the Guidelines for Acceptable ASTM Editions and in the Guidelines for Acceptable Non-ASTM Editions, in Section II, Parts A and B. These Guidelines list, for each specification, the latest edition adopted by ASME, and earlier and later editions considered by ASME to be identical for ASME construction.

The Boiler and Pressure Vessel Committee in the formulation of its rules and in the establishment of maximum design and operating pressures considers materials, construction, methods of fabrication, inspection, and safety devices.

The Code Committee does not rule on whether a component shall or shall not be constructed to the provisions of the Code. The Scope of each Section has been established to identify the components and parameters considered by the Committee in formulating the Code rules.

Questions or issues regarding compliance of a specific component with the Code rules are to be directed to the ASME Certificate Holder (Manufacturer). Inquiries concerning the interpretation of the Code are to be directed

to the ASME Boiler and Pressure Vessel Committee. ASME is to be notified should questions arise concerning improper use of an ASME Code symbol.

The specifications for materials given in Section II are identical with or similar to those of specifications published by ASTM, AWS, and other recognized national or international organizations. When reference is made in an ASME material specification to a non-ASME specification for which a companion ASME specification exists, the reference shall be interpreted as applying to the ASME material specification. Not all materials included in the material specifications in Section II have been adopted for Code use. Usage is limited to those materials and grades adopted by at least one of the other Sections of the Code for application under rules of that Section. All materials allowed by these various Sections and used for construction within the scope of their rules shall be furnished in accordance with material specifications contained in Section II or referenced in the Guidelines for Acceptable Editions in Section II, Parts A and B, except where otherwise provided in Code Cases or in the applicable Section of the Code. Materials covered by these specifications are acceptable for use in items covered by the Code Sections only to the degree indicated in the applicable Section. Materials for Code use should preferably be ordered, produced, and documented on this basis; Guidelines for Acceptable Editions in Section II, Part A and Guidelines for Acceptable Editions in Section II, Part B list editions of ASME and year dates of specifications that meet ASME requirements and which may be used in Code construction. Material produced to an acceptable specification with requirements different from the requirements of the corresponding specifications listed in the Guidelines for Acceptable Editions in Part A or Part B may also be used in accordance with the above, provided the material manufacturer or vessel manufacturer certifies with evidence acceptable to the Authorized Inspector that the corresponding requirements of specifications listed in the Guidelines for Acceptable Editions in Part A or Part B have been met. Material produced to an acceptable material specification is not limited as to country of origin.

When required by context in this Section, the singular shall be interpreted as the plural, and vice-versa; and the feminine, masculine, or neuter gender shall be treated as such other gender as appropriate.

# **STATEMENT OF POLICY ON THE USE OF CODE SYMBOLS AND CODE AUTHORIZATION IN ADVERTISING**

(10)

ASME has established procedures to authorize qualified organizations to perform various activities in accordance with the requirements of the ASME Boiler and Pressure Vessel Code. It is the aim of the Society to provide recognition of organizations so authorized. An organization holding authorization to perform various activities in accordance with the requirements of the Code may state this capability in its advertising literature.

Organizations that are authorized to use Code Symbols for marking items or constructions that have been constructed and inspected in compliance with the ASME Boiler and Pressure Vessel Code are issued Certificates of Authorization. It is the aim of the Society to maintain the standing of the Code Symbols for the benefit of the users, the enforcement jurisdictions, and the holders of the symbols who comply with all requirements.

Based on these objectives, the following policy has been established on the usage in advertising of facsimiles of the symbols, Certificates of Authorization, and reference to Code construction. The American Society of Mechanical

Engineers does not “approve,” “certify,” “rate,” or “endorse” any item, construction, or activity and there shall be no statements or implications that might so indicate. An organization holding a Code Symbol and/or a Certificate of Authorization may state in advertising literature that items, constructions, or activities “are built (produced or performed) or activities conducted in accordance with the requirements of the ASME Boiler and Pressure Vessel Code,” or “meet the requirements of the ASME Boiler and Pressure Vessel Code.” An ASME corporate logo shall not be used by any organization other than ASME.

The ASME Symbol shall be used only for stamping and nameplates as specifically provided in the Code. However, facsimiles may be used for the purpose of fostering the use of such construction. Such usage may be by an association or a society, or by a holder of a Code Symbol who may also use the facsimile in advertising to show that clearly specified items will carry the symbol. General usage is permitted only when all of a manufacturer’s items are constructed under the rules.

# **STATEMENT OF POLICY ON THE USE OF ASME MARKING TO IDENTIFY MANUFACTURED ITEMS**

The ASME Boiler and Pressure Vessel Code provides rules for the construction of boilers, pressure vessels, and nuclear components. This includes requirements for materials, design, fabrication, examination, inspection, and stamping. Items constructed in accordance with all of the applicable rules of the Code are identified with the official Code Symbol Stamp described in the governing Section of the Code.

Markings such as “ASME,” “ASME Standard,” or any other marking including “ASME” or the various Code

Symbols shall not be used on any item that is not constructed in accordance with all of the applicable requirements of the Code.

Items shall not be described on ASME Data Report Forms nor on similar forms referring to ASME that tend to imply that all Code requirements have been met when, in fact, they have not been. Data Report Forms covering items not fully complying with ASME requirements should not refer to ASME or they should clearly identify all exceptions to the ASME requirements.

# PERSONNEL

## ASME Boiler and Pressure Vessel Standards Committees, Subgroups, and Working Groups

As of January 1, 2010

### TECHNICAL OVERSIGHT MANAGEMENT COMMITTEE (TOMC)

J. G. Feldstein, <i>Chair</i>	J. F. Henry
T. P. Pastor, <i>Vice Chair</i>	C. L. Hoffmann
J. S. Brzuszkiewicz, <i>Staff Secretary</i>	G. G. Karcher
R. W. Barnes	W. M. Lundy
R. J. Basile	J. R. MacKay
J. E. Batey	U. R. Miller
D. L. Berger	P. A. Molvie
M. N. Bressler	W. E. Norris
D. A. Canonico	G. C. Park
R. P. Deubler	M. D. Rana
D. A. Douin	B. W. Roberts
D. Eisberg	S. C. Roberts
R. E. Gimple	F. J. Schaaf, Jr.
M. Gold	A. Selz
T. E. Hansen	R. W. Swayne

### HONORARY MEMBERS (MAIN COMMITTEE)

F. P. Barton	M. H. Jawad
R. J. Cepluch	A. J. Justin
L. J. Chockie	W. G. Knecht
T. M. Cullen	J. LeCoff
W. D. Doty	T. G. McCarty
J. R. Farr	G. C. Millman
G. E. Feigel	R. A. Moen
R. C. Griffin	R. F. Reedy
O. F. Hedden	K. K. Tam
E. J. Hemzy	L. P. Zick, Jr.

### ADMINISTRATIVE COMMITTEE

J. S. Brzuszkiewicz, <i>Staff Secretary</i>	J. G. Feldstein
R. W. Barnes	J. F. Henry
J. E. Batey	P. A. Molvie
D. L. Berger	G. C. Park
D. Eisberg	T. P. Pastor
	A. Selz

### HONORS AND AWARDS COMMITTEE

M. Gold, <i>Chair</i>	W. L. Haag, Jr.
F. E. Gregor, <i>Vice Chair</i>	S. F. Harrison, Jr.
T. Schellens, <i>Staff Secretary</i>	R. M. Jessee
D. R. Sharp, <i>Staff Secretary</i>	W. C. LaRochelle
R. J. Basile	T. P. Pastor
J. E. Batey	A. Selz
D. L. Berger	R. R. Stevenson
J. G. Feldstein	

### MARINE CONFERENCE GROUP

H. N. Patel, <i>Chair</i>	G. Pallichadath
J. G. Hungerbuhler, Jr.	J. D. Reynolds

### CONFERENCE COMMITTEE

R. J. Aben, Jr. — Michigan <i>(Chair)</i>	M. R. Klosterman — Iowa
R. D. Reetz — North Dakota <i>(Vice Chair)</i>	M. Kotb — Quebec, Canada
D. A. Douin — Ohio <i>(Secretary)</i>	K. J. Kraft — Maryland
J. S. Aclaro — California	B. Krasian — Saskatchewan, Canada
J. T. Amato — Minnesota	K. T. Lau — Alberta, Canada
B. P. Anthony — Rhode Island	G. Lemay — Ontario, Canada
R. D. Austin — Arizona	W. McGivney — New York
E. W. Bachellier — Nunavut, Canada	T. J. Monroe — Oklahoma
B. F. Bailey — Illinois	G. R. Myrick — Arkansas
J. E. Bell — Michigan	S. V. Nelson — Colorado
W. K. Brigham — New Hampshire	W. R. Owens — Louisiana
M. A. Burns — Florida	R. P. Pate — Alabama
J. H. Burpee — Maine	R. L. Perry — Nevada
C. B. Cantrell — Nebraska	H. D. Pfaff — South Dakota
D. C. Cook — California	A. E. Platt — Connecticut
J. A. Davenport — Pennsylvania	J. F. Porcella — West Virginia
S. Donovan — Northwest Territories, Canada	M. R. Poulin — Idaho
D. Eastman — Newfoundland and Labrador, Canada	D. C. Price — Yukon Territory, Canada
E. Everett — Georgia	R. S. Pucek — Wisconsin
C. Fulton — Alaska	T. W. Rieger — Manitoba, Canada
J. M. Given, Jr. — North Carolina	A. E. Rogers — Tennessee
M. Graham — Oregon	D. E. Ross — New Brunswick, Canada
R. J. Handy — Kentucky	K. A. Rudolph — Hawaii
J. B. Harlan — Delaware	M. J. Ryan — Illinois
E. G. Hilton — Virginia	G. Scribner — Missouri
K. Hynes — Prince Edward Island, Canada	J. G. Siggers — British Columbia, Canada
D. T. Jagger — Ohio	T. Stewart — Montana
D. J. Jenkins — Kansas	R. K. Sturm — Utah
A. P. Jones — Texas	M. J. Verhagen — Wisconsin
E. S. Kawa, Jr. — Massachusetts	P. L. Vescio, Jr. — New York
	M. Washington — New Jersey
	K. L. Watson — Mississippi
	L. Williamson — Washington
	D. J. Willis — Indiana

## INTERNATIONAL INTEREST REVIEW GROUP

V. Felix  
Y.-G. Kim  
S. H. Leong  
W. Lin  
O. F. Manafa

C. Minu  
Y.-W. Park  
R. Reynaga  
P. Williamson

## PROJECT TEAM ON HYDROGEN TANKS

M. D. Rana, *Chair*  
A. P. Amato, *Staff Secretary*  
F. L. Brown  
D. A. Canonico  
D. C. Cook  
J. Coursen  
J. W. Felbaum  
B. D. Hawkes  
N. L. Newhouse  
A. S. Olivares  
G. B. Rawls, Jr.  
B. F. Shelley  
J. R. Sims, Jr.  
N. Sirosh  
J. H. Smith  
S. Staniszewski  
R. Subramanian  
T. Tahara  
D. W. Treadwell  
E. Upitis  
Y. Wada

C. T. I. Webster  
R. C. Biel, *Contributing Member*  
J. Birdsall, *Contributing Member*  
M. Duncan, *Contributing Member*  
D. R. Frikken, *Contributing Member*  
L. E. Hayden, Jr., *Contributing Member*  
K. T. Lau, *Contributing Member*  
K. Oyamada, *Contributing Member*  
C. H. Rivkin, *Contributing Member*  
C. San Marchi, *Contributing Member*  
B. Somerday, *Contributing Member*

## COMMITTEE ON POWER BOILERS (I)

D. L. Berger, *Chair*  
R. E. McLaughlin, *Vice Chair*  
U. D'Urso, *Staff Secretary*  
J. L. Arnold  
S. W. Cameron  
D. A. Canonico  
K. K. Coleman  
P. D. Edwards  
P. Fallouey  
J. G. Feldstein  
G. W. Galanes  
T. E. Hansen  
J. F. Henry  
J. S. Hunter  
W. L. Lowry  
J. R. MacKay  
F. Massi

T. C. McGough  
P. A. Molvie  
Y. Oishi  
J. T. Pillow  
B. W. Roberts  
R. D. Schueler, Jr.  
J. P. Swezy, Jr.  
J. M. Tanzosh  
R. V. Wielgoszinski  
D. J. Willis  
G. Ardizzzoia, *Delegate*  
H. Michael, *Delegate*  
E. M. Ortman, *Alternate*  
D. N. French, *Honorary Member*  
R. L. Williams, *Honorary Member*

### Subgroup on Design (BPV I)

P. A. Molvie, *Chair*  
J. Vattappilly, *Secretary*  
D. I. Anderson  
P. Dhorajia  
J. P. Glaspie  
G. B. Komora  
J. C. Light

B. W. Moore  
R. D. Schueler, Jr.  
J. L. Seigle  
J. P. Swezy, Jr.  
S. V. Torkildson  
G. Ardizzzoia, *Delegate*

### Subgroup on Fabrication and Examination (BPV I)

J. T. Pillow, *Chair*  
G. W. Galanes, *Secretary*  
J. L. Arnold  
D. L. Berger  
S. W. Cameron  
J. Hainsworth  
T. E. Hansen

C. T. McDaris  
T. C. McGough  
R. E. McLaughlin  
Y. Oishi  
J. P. Swezy, Jr.  
R. V. Wielgoszinski

### Subgroup on General Requirements (BPV I)

R. E. McLaughlin, *Chair*  
F. Massi, *Secretary*  
P. D. Edwards  
T. E. Hansen  
W. L. Lowry  
T. C. McGough  
E. M. Ortman

J. T. Pillow  
D. Tompkins  
S. V. Torkildson  
D. E. Tuttle  
R. V. Wielgoszinski  
D. J. Willis

### Subgroup on Materials (BPV I)

B. W. Roberts, *Chair*  
J. S. Hunter, *Secretary*  
S. H. Bowes  
D. A. Canonico  
K. K. Coleman  
P. Fallouey  
G. W. Galanes

K. L. Hayes  
J. F. Henry  
O. X. Li  
J. R. MacKay  
F. Masuyama  
D. W. Raho  
J. M. Tanzosh

### Subgroup on Piping (BPV I)

T. E. Hansen, *Chair*  
D. L. Berger  
P. D. Edwards  
G. W. Galanes  
T. G. Kosmatka

W. L. Lowry  
F. Massi  
T. C. McGough  
D. Tompkins  
E. A. Whittle

### Subgroup on Heat Recovery Steam Generators (BPV I)

T. E. Hansen, *Chair*  
D. Dziubinski, *Secretary*  
L. R. Douglas  
J. Gertz  
G. B. Komora  
C. T. McDaris  
B. W. Moore

E. M. Ortman  
R. D. Schueler, Jr.  
J. C. Steverman, Jr.  
D. Tompkins  
S. V. Torkildson  
B. C. Turczynski

## COMMITTEE ON MATERIALS (II)

J. F. Henry, *Chair*  
M. Gold, *Vice Chair*  
N. Lobo, *Staff Secretary*  
F. Abe  
A. Appleton  
M. N. Bressler  
H. D. Bushfield  
J. Cameron  
D. A. Canonico  
A. Chaudouet  
P. Fallouey  
J. R. Foulds  
D. W. Gandy  
M. H. Gilkey  
J. F. Grubb  
C. L. Hoffmann  
M. Katcher  
P. A. Larkin  
F. Masuyama  
R. K. Nanstad  
M. L. Nayyar  
D. W. Raho  
B. W. Roberts  
E. Shapiro  
M. H. Skillingberg

R. C. Sutherland  
R. W. Swindeman  
J. M. Tanzosh  
B. E. Thurgood  
D. Kwon, *Delegate*  
O. Oldani, *Delegate*  
W. R. Apblett, Jr., *Contributing Member*  
E. G. Nisbett, *Contributing Member*  
E. Upitis, *Contributing Member*  
T. M. Cullen, *Honorary Member*  
W. D. Doty, *Honorary Member*  
W. D. Edsall, *Honorary Member*  
G. C. Hsu, *Honorary Member*  
R. A. Moen, *Honorary Member*  
C. E. Spaeder, Jr., *Honorary Member*  
A. W. Zeuthen, *Honorary Member*

**Subgroup on External Pressure (BPV II)**

R. W. Mikitka, <i>Chair</i>	M. Katcher
J. A. A. Morrow, <i>Secretary</i>	D. L. Kurle
L. F. Campbell	C. R. Thomas
D. S. Griffin	C. H. Sturgeon, <i>Contributing</i>
J. F. Grubb	<i>Member</i>
J. R. Harris III	

**Subgroup on Ferrous Specifications (BPV II)**

A. Appleton, <i>Chair</i>	L. J. Lavezzi
R. M. Davison	W. C. Mack
B. M. Dingman	J. K. Mahaney
M. J. Dossdourian	R. J. Marciniec
P. Fallouey	A. S. Melilli
T. Graham	E. G. Nisbett
J. F. Grubb	K. E. Orié
K. M. Hottle	J. Shick
D. S. Janikowski	E. Uptis
D. C. Krouse	R. Zawierucha

**Subgroup on International Material Specifications (BPV II)**

A. Chaudouet, <i>Chair</i>	W. M. Lundy
D. Dziubinski, <i>Secretary</i>	A. R. Nywening
S. W. Cameron	R. D. Schueler, Jr.
D. A. Canonico	E. Uptis
P. Fallouey	D. Kwon, <i>Delegate</i>
A. F. Garbolevsky	O. Oldani, <i>Delegate</i>
D. O. Henry	H. Lorenz, <i>Contributing</i>
M. Ishikawa	<i>Member</i>
O. X. Li	

**Subgroup on Strength, Ferrous Alloys (BPV II)**

C. L. Hoffmann, <i>Chair</i>	F. Masuyama
J. M. Tanzosh, <i>Secretary</i>	S. Matsumoto
F. Abe	H. Murakami
W. R. Apblett, Jr.	D. W. Rahoí
D. A. Canonico	B. W. Roberts
A. Di Rienzo	M. S. Shelton
P. Fallouey	J. P. Shingledecker
J. R. Foulds	M. J. Slater
M. Gold	R. W. Swindeman
J. A. Hall	B. E. Thurgood
J. F. Henry	T. P. Vassallo, Jr.
K. Kimura	

**Subgroup on Nonferrous Alloys (BPV II)**

M. Katcher, <i>Chair</i>	H. Matsuo
R. C. Sutherlin, <i>Secretary</i>	J. A. McMaster
W. R. Apblett, Jr.	D. W. Rahoí
M. H. Gilkey	E. Shapiro
J. F. Grubb	M. H. Skillingberg
A. Heino	D. Tyler
J. Kissell	R. Zawierucha
P. A. Larkin	H. D. Bushfield, <i>Contributing</i>
T. M. Malota	<i>Member</i>
S. Matsumoto	

**Subgroup on Physical Properties (BPV II)**

J. F. Grubb, <i>Chair</i>	P. Fallouey
H. D. Bushfield	E. Shapiro

**Subgroup on Strength of Weldments (BPV II & BPV IX)**

J. M. Tanzosh, <i>Chair</i>	K. L. Hayes
W. F. Newell, Jr., <i>Secretary</i>	J. F. Henry
S. H. Bowes	D. W. Rahoí
K. K. Coleman	B. W. Roberts
P. D. Flenner	J. P. Shingledecker
J. R. Foulds	W. J. Sperko
D. W. Gandy	B. E. Thurgood

**Special Working Group on Nonmetallic Materials (BPV II)**

C. W. Rowley, <i>Chair</i>	P. S. Hill
F. L. Brown	M. R. Kessler
S. R. Frost	F. Worth
M. Golliet	

**COMMITTEE ON CONSTRUCTION OF NUCLEAR FACILITY COMPONENTS (III)**

R. W. Barnes, <i>Chair</i>	J. D. Stevenson
R. M. Jesse, <i>Vice Chair</i>	K. R. Wichman
C. A. Sanna, <i>Staff Secretary</i>	C. S. Withers
W. H. Borter	Y. H. Choi, <i>Delegate</i>
M. N. Bressler	T. Ius, <i>Delegate</i>
T. D. Burchell	C. C. Kim, <i>Contributing</i>
J. R. Cole	<i>Member</i>
R. P. Deubler	E. B. Branch, <i>Honorary</i>
B. A. Erler	<i>Member</i>
G. M. Foster	G. D. Cooper, <i>Honorary</i>
R. S. Hill III	<i>Member</i>
C. L. Hoffmann	W. D. Doty, <i>Honorary</i>
V. Kostarev	<i>Member</i>
W. C. LaRochelle	D. F. Landers, <i>Honorary</i>
K. A. Manoly	<i>Member</i>
W. N. McLean	R. A. Moen, <i>Honorary</i>
M. N. Mitchell	<i>Member</i>
D. K. Morton	C. J. Pieper, <i>Honorary</i>
R. F. Reedy	<i>Member</i>

**Subgroup on Containment Systems for Spent Fuel and High-Level Waste Transport Packagings (BPV III)**

G. M. Foster, <i>Chair</i>	P. E. McConnell
G. J. Solovey, <i>Vice Chair</i>	I. D. McInnes
D. K. Morton, <i>Secretary</i>	A. B. Meichler
D. J. Ammerman	R. E. Nickell
W. G. Beach	E. L. Pleins
G. Bjorkman	T. Saegusa
W. H. Borter	H. P. Shrivastava
G. R. Cannell	N. M. Simpson
E. L. Farrow	R. H. Smith
R. S. Hill III	J. D. Stevenson
S. Horowitz	C. J. Temus
D. W. Lewis	A. D. Watkins
C. G. May	



**Subgroup on Design (BPV III)**

R. P. Deubler, <i>Chair</i>	D. F. Landers
R. S. Hill III, <i>Vice Chair</i>	K. A. Manoly
A. N. Nguyen, <i>Secretary</i>	R. J. Masterson
T. M. Adams	W. N. McLean
S. Asada	J. C. Minichiello
M. N. Bressler	M. Morishita
C. W. Bruny	E. L. Pleins
J. R. Cole	I. Saito
R. E. Cornman, Jr.	G. C. Slagis
A. A. Dermenjian	J. D. Stevenson
P. Hirschberg	J. P. Tucker
R. I. Jetter	K. R. Wichman
R. B. Keating	J. Yang
J. F. Kielb	T. Lus, <i>Delegate</i>
H. Kobayashi	

**Working Group on Piping (SG-D) (BPV III)**

P. Hirschberg, <i>Chair</i>	E. R. Nelson
G. Z. Tokarski, <i>Secretary</i>	A. N. Nguyen
T. M. Adams	N. J. Shah
G. A. Antaki	M. S. Sills
C. Basavaraju	G. C. Slagis
J. Catalano	N. C. Sutherland
J. R. Cole	E. A. Wais
M. A. Gray	C.-I. Wu
R. W. Haupt	D. F. Landers, <i>Corresponding Member</i>
J. Kawahata	R. D. Patel, <i>Contributing Member</i>
R. B. Keating	E. C. Rodabaugh, <i>Contributing Member</i>
V. Kostarev	
Y. Liu	
J. F. McCabe	
J. C. Minichiello	

**Working Group on Supports (SG-D) (BPV III)**

R. J. Masterson, <i>Chair</i>	A. N. Nguyen
F. J. Birch, <i>Secretary</i>	I. Saito
K. Avriithi	J. R. Stinson
U. S. Bandyopadhyay	T. G. Terryah
R. P. Deubler	G. Z. Tokarski
W. P. Golini	C.-I. Wu

**Working Group on Probabilistic Methods in Design (SG-D) (BPV III)**

R. S. Hill III, <i>Chair</i>	M. Morishita
T. Asayama	P. J. O'Regan
K. Avriithi	N. A. Palm
B. M. Ayyub	I. Saito
A. A. Dermenjian	M. E. Schmidt
M. R. Graybeal	A. Tsirigotis
D. O. Henry	J. P. Tucker
S. D. Kulat	R. M. Wilson
A. McNeill III	

**Working Group on Core Support Structures (SG-D) (BPV III)**

J. Yang, <i>Chair</i>	H. S. Mehta
J. F. Kielb, <i>Secretary</i>	J. F. Mullooly
F. G. Al-Chammas	A. Tsirigotis
J. T. Land	

**Working Group on Pumps (SG-D) (BPV III)**

R. E. Cornman, Jr., <i>Chair</i>	R. A. Ladefian
P. W. Behnke	J. W. Leavitt
M. D. Eftychiou	R. A. Patrick
A. Fraser	J. R. Rajan
R. Ghanbari	R. Udo
M. Higuchi	A. G. Washburn
C. J. Jerz	

**Working Group on Design Methodology (SG-D) (BPV III)**

R. B. Keating, <i>Chair</i>	J. D. Stevenson
S. D. Snow, <i>Secretary</i>	A. Tsirigotis
K. Avriithi	T. M. Wiger
M. Basol	J. Yang
D. L. Caldwell	D. F. Landers, <i>Corresponding Member</i>
H. T. Harrison III	M. K. Au-Yang, <i>Contributing Member</i>
P. Hirschberg	R. D. Blevins, <i>Contributing Member</i>
H. Kobayashi	W. S. Lapay, <i>Contributing Member</i>
H. Lockert	
J. F. McCabe	
A. N. Nguyen	
D. H. Roarty	
E. A. Rodriguez	

**Working Group on Valves (SG-D) (BPV III)**

J. P. Tucker, <i>Chair</i>	J. O'Callaghan
G. A. Jolly	J. D. Page
W. N. McLean	S. N. Shields
T. A. McMahon	H. R. Sonderegger
C. A. Mizer	J. C. Tsacoyeanes

**Working Group on Vessels (SG-D) (BPV III)**

G. K. Miller, <i>Secretary</i>	O.-S. Kim
C. Basavaraju	K. Matsunaga
C. W. Bruny	D. E. Matthews
J. V. Gregg	C. Turylo
W. J. Heilker	W. F. Weitze
A. Kalnins	R. M. Wilson
R. B. Keating	

**Working Group on Design of Division 3 Containments (SG-D) (BPV III)**

E. L. Pleins, <i>Chair</i>	H. P. Shrivastava
D. J. Ammerman	C. J. Temus
G. Bjorkman	I. D. McInnes, <i>Contributing Member</i>
S. Horowitz	R. E. Nickell, <i>Contributing Member</i>
D. W. Lewis	
J. C. Minichiello	
D. K. Morton	

**Special Working Group on Environmental Effects (SG-D) (BPV III)**

W. Z. Novak, <i>Chair</i>	C. L. Hoffmann
R. S. Hill III	Y. H. Choi, <i>Delegate</i>

**Subgroup on General Requirements (BPV III & 3C)**

W. C. LaRochelle, <i>Chair</i>	M. R. Minick
L. M. Plante, <i>Secretary</i>	B. B. Scott
A. Appleton	C. T. Smith
J. R. Berry	W. K. Sowder, Jr.
J. V. Gardiner	D. M. Vickery
W. P. Golini	D. V. Walshe
G. L. Hollinger	C. S. Withers
E. A. Mayhew	H. Michael, <i>Delegate</i>
R. P. McIntyre	

**Working Group on Duties and Responsibilities (SG-GR) (BPV III)**

J. V. Gardiner, <i>Chair</i>	A. T. Keim
G. L. Hollinger, <i>Secretary</i>	M. A. Lockwood
J. R. Berry	L. M. Plante
M. E. Jennings	D. J. Roszman
K. A. Kavanagh	S. Scardigno

**Working Group on Quality Assurance, Certification, and Stamping (SG-GR) (BPV III)**

C. T. Smith, <i>Chair</i>	M. R. Minick
C. S. Withers, <i>Secretary</i>	R. B. Patel
A. Appleton	S. J. Salvador
B. K. Bobo	W. K. Sowder, Jr.
S. M. Goodwin	M. F. Sullivan
J. W. Highlands	G. E. Szabatura
R. P. McIntyre	D. M. Vickery

**Subgroup on Materials, Fabrication, and Examination (BPV III)**

C. L. Hoffmann, <i>Chair</i>	C. C. Kim
W. G. Beach	M. Lau
W. H. Borter	H. Murakami
G. R. Cannell	N. M. Simpson
R. H. Davis	W. J. Sperko
D. M. Doyle	J. R. Stinson
G. M. Foster	J. F. Strunk
B. D. Frew	K. B. Stuckey
G. B. Georgiev	A. D. Watkins
S. E. Gingrich	H. Michael, <i>Delegate</i>
R. M. Jessee	

**Subgroup on Pressure Relief (BPV III)**

J. F. Ball, <i>Chair</i>	A. L. Szeglin
E. M. Petrosky	D. G. Thibault

**Subgroup on Strategy and Management (BPV III, Divisions 1 and 2)**

R. W. Barnes, <i>Chair</i>	E. V. Imbro
C. A. Sanna, <i>Staff Secretary</i>	R. M. Jessee
B. K. Bobo	K. A. Manoly
N. Broom	D. K. Morton
J. R. Cole	J. Ramirez
B. A. Erler	R. F. Reedy
C. M. Faidy	C. T. Smith
J. M. Helmey	W. K. Sowder, Jr.
M. F. Hessheimer	Y. Urabe
R. S. Hill III	

**Special Working Group on Editing and Review (BPV III)**

R. F. Reedy, <i>Chair</i>	B. A. Erler
W. H. Borter	W. C. LaRochelle
M. N. Bressler	J. D. Stevenson
R. P. Deubler	

**Special Working Group on Polyethylene Pipe (BPV III)**

J. C. Minichiello, <i>Chair</i>	P. Krishnaswamy
T. M. Adams	E. Lever
W. I. Adams	E. W. McElroy
G. A. Antaki	D. P. Munson
C. Basavaraju	T. M. Musto
D. Burwell	L. J. Petroff
J. M. Craig	C. W. Rowley
R. R. Croft	F. J. Schaaf, Jr.
E. L. Farrow	C. T. Smith
E. M. Focht	H. E. Svetlik
M. Golliet	D. M. Vickery
A. N. Haddad	Z. J. Zhou
R. S. Hill III	

**Working Group on Nuclear High-Temperature Gas-Cooled Reactors (BPV III)**

N. Broom, <i>Chair</i>	T. R. Lupold
T. D. Burchell	D. L. Marriott
M. F. Hessheimer	D. K. Morton
R. S. Hill III	T.-L. Sham
E. V. Imbro	Y. Tachibana
R. I. Jetter	T. Yuhara
Y. W. Kim	

**Subgroup on Graphite Core Components (BPV III)**

T. D. Burchell, <i>Chair</i>	M. P. Hindley
C. A. Sanna, <i>Staff Secretary</i>	Y. Katoh
R. L. Bratton	M. N. Mitchell
S.-H. Chi	N. N. Nemeth
M. W. Davies	T. Oku
S. W. Doms	T. Shibata
S. F. Duffy	M. Srinivasan
O. Gelineau	A. G. Steer
G. O. Hayner	S. Yu

**Subgroup on Industry Experience for New Plants (BPV III & BPV XI)**

G. M. Foster, <i>Chair</i>	K. Matsunaga
J. T. Lindberg, <i>Chair</i>	R. E. McLaughlin
H. L. Gustin, <i>Secretary</i>	A. McNeill III
M. L. Coats	H. Murakami
A. A. Dermenjian	R. D. Patel
J. Fletcher	J. C. Poehler
E. B. Gerlach	D. W. Sandusky
H. L. Gustin	R. R. Schaefer
D. O. Henry	D. M. Swann
E. V. Imbro	E. R. Willis
C. C. Kim	C. S. Withers
O.-S. Kim	S. M. Yee

**Subgroup on Magnetic Confinement Fusion Energy Devices (BPV III)**

W. K. Sowder, Jr., *Chair*  
R. W. Barnes  
M. Higuchi  
K. H. Jong  
K. A. Kavanagh  
H.-J. Kim

S. Lee  
G. Li  
X. Li  
D. Roszman  
S. J. Salvador

**Subgroup on Nuclear High-Temperature Reactors (BPV III)**

M. Morishita, *Chair*  
R. I. Jetter, *Vice Chair*  
T.-L. Sham, *Secretary*  
N. Broom

G. H. Koo  
D. K. Morton  
J. E. Nestell

**Working Group on Fusion Energy Devices (BPV III)**

W. K. Sowder, Jr., *Chair*

**Working Group on Liquid Metal Reactors (BPV III)**

T.-L. Sham, *Chair*  
T. Asayama, *Secretary*  
R. W. Barnes  
C. M. Faigy  
R. I. Jetter

G. H. Koo  
M. Li  
S. Majumdar  
M. Morishita  
J. E. Nestell

**Special Working Group on Bolted Flanged Joints (BPV III)**

R. W. Mikitka, *Chair*  
G. D. Bibel  
W. Brown

W. J. Koves  
M. S. Shelton

**Subgroup on Design Analysis (BPV III)**

G. L. Hollinger, *Chair*  
S. A. Adams  
M. R. Breach  
R. G. Brown  
T. M. Damiani  
R. J. Gurdal  
B. F. Hantz  
C. F. Heberling II  
C. E. Hinnant  
D. P. Jones  
A. Kalnins

W. J. Koves  
K. Matsunaga  
G. A. Miller  
W. D. Reinhardt  
D. H. Roarty  
G. Sannazzaro  
T. G. Seipp  
G. Taxacher  
W. F. Weitze  
R. A. Whipple  
K. Wright

**Subgroup on Elevated Temperature Design (BPV III)**

R. I. Jetter, *Chair*  
J. J. Abou-Hanna  
T. Asayama  
C. Becht  
F. W. Brust  
P. Carter  
J. F. Cervinka  
B. Dogan  
D. S. Griffin  
B. F. Hantz

A. B. Hull  
M. H. Jawad  
G. H. Koo  
W. J. Kooes  
D. L. Marriott  
T. E. McGreevy  
J. E. Nestell  
W. J. O'Donnell  
T.-L. Sham  
R. W. Swindeman

**Subgroup on Fatigue Strength (BPV III)**

W. J. O'Donnell, *Chair*  
S. A. Adams  
G. S. Chakrabarti  
T. M. Damiani  
P. R. Donavin  
R. J. Gurdal  
C. F. Heberling II  
C. E. Hinnant  
P. Hirschberg

D. P. Jones  
G. Kharshafdjian  
S. Majumdar  
S. N. Malik  
D. H. Roarty  
G. Taxacher  
A. Tsigotis  
K. Wright  
H. H. Ziada

**JOINT ACI-ASME COMMITTEE ON CONCRETE COMPONENTS FOR NUCLEAR SERVICE (BPV 3C)**

A. C. Eberhardt, *Chair*  
C. T. Smith, *Vice Chair*  
M. L. Vazquez, *Staff Secretary*  
N. Alchaar  
J. F. Artuso  
H. G. Ashar  
C. J. Bang  
B. A. Erler  
F. Farzam  
P. S. Ghosal  
J. Gutierrez  
J. K. Harrold  
G. A. Harstead  
M. F. Hessheimer  
T. C. Inman  
T. E. Johnson

O. Jovall  
N.-H. Lee  
J. Munshi  
N. Orbovic  
B. B. Scott  
R. E. Shewmaker  
J. D. Stevenson  
M. K. Thumm  
M. L. Williams  
T. D. Al-Shawaf, *Contributing Member*  
T. Muraki, *Contributing Member*  
M. R. Senecal, *Contributing Member*

**Working Group on Materials, Fabrication, and Examination (BPV 3C)**

J. F. Artuso, *Chair*  
P. S. Ghosal, *Vice Chair*  
M. L. Williams, *Secretary*  
A. C. Eberhardt

J. Gutierrez  
B. B. Scott  
C. T. Smith

**Working Group on Modernization (BPV 3C)**

N. Alchaar, *Chair*  
O. Jovall, *Vice Chair*  
C. T. Smith, *Secretary*

J. F. Artuso  
J. K. Harrold

**COMMITTEE ON HEATING BOILERS (IV)**

P. A. Molvie, *Chair*  
T. L. Bedeaux, *Vice Chair*  
G. Moino, *Staff Secretary*  
J. Calland  
J. P. Chicoine  
C. M. Dove  
B. G. French  
W. L. Haag, Jr.  
J. A. Hall  
A. Heino

D. J. Jenkins  
P. A. Larkin  
K. M. McTague  
B. W. Moore  
T. M. Parks  
J. L. Seigle  
R. V. Wielgoszinski  
H. Michael, *Delegate*  
E. A. Nordstrom, *Alternate*

**Subgroup on Care and Operation of Heating Boilers (BPV IV)**

K. M. McTague  
P. A. Molvie

**Subgroup on Cast Iron Boilers (BPV IV)**

K. M. McTague, <i>Chair</i>	A. P. Jones
T. L. Bedeaux, <i>Vice Chair</i>	V. G. Kleffis
J. P. Chicoine	J. Kliess
B. G. French	P. A. Larkin
J. A. Hall	E. A. Nordstrom

**Subgroup on Materials (BPV IV)**

P. A. Larkin, <i>Chair</i>	B. J. Iske
J. A. Hall, <i>Vice Chair</i>	J. Kliess
A. Heino	J. L. Seigle

**Subgroup on Water Heaters (BPV IV)**

W. L. Haag, Jr., <i>Chair</i>	K. M. McTague
J. Calland, <i>Vice Chair</i>	O. A. Missoum
J. P. Chicoine	R. E. Olson
B. G. French	F. J. Schreiner
T. D. Gantt	M. A. Taylor
B. J. Iske	T. E. Trant
A. P. Jones	

**Subgroup on Welded Boilers (BPV IV)**

T. L. Bedeaux, <i>Chair</i>	E. A. Nordstrom
J. Calland, <i>Vice Chair</i>	R. E. Olson
C. M. Dove	J. L. Seigle
B. G. French	R. V. Wielgoszinski
A. P. Jones	H. Michael, <i>Delegate</i>

**COMMITTEE ON  
NONDESTRUCTIVE EXAMINATION (V)**

J. E. Batey, <i>Chair</i>	A. B. Nagel
F. B. Kovacs, <i>Vice Chair</i>	C. A. Nove
J. Brzuszkiewicz, <i>Staff Secretary</i>	T. L. Plasek
S. J. Akrin	F. J. Sattler
C. A. Anderson	G. M. Gatti, <i>Delegate</i>
J. E. Aycocock	B. H. Clark, Jr., <i>Honorary Member</i>
A. S. Birks	H. C. Graber, <i>Honorary Member</i>
P. L. Brown	O. F. Hedden, <i>Honorary Member</i>
N. Y. Faransso	J. R. MacKay, <i>Honorary Member</i>
A. F. Garbolevsky	T. G. McCarty, <i>Honorary Member</i>
G. W. Hembree	
R. W. Kruzic	
J. R. McGimpsey	
M. D. Moles	

**Subgroup on General Requirements/  
Personnel Qualifications and Inquiries (BPV V)**

F. B. Kovacs, <i>Chair</i>	G. W. Hembree
C. A. Anderson	J. W. Houf
J. E. Batey	J. R. MacKay
A. S. Birks	J. P. Swezy, Jr.
N. Y. Faransso	

**Subgroup on Surface Examination Methods (BPV V)**

A. S. Birks, <i>Chair</i>	G. W. Hembree
S. J. Akrin	R. W. Kruzic
P. L. Brown	C. A. Nove
B. Caccamise	F. J. Sattler
N. Y. Faransso	F. C. Turnbull
N. Farrenbaugh	G. M. Gatti, <i>Delegate</i>
N. A. Finney	

**Subgroup on Volumetric Methods (BPV V)**

G. W. Hembree, <i>Chair</i>	F. B. Kovacs
S. J. Akrin	R. W. Kruzic
J. E. Aycocock	J. R. McGimpsey
J. E. Batey	M. D. Moles
P. L. Brown	A. B. Nagel
B. Caccamise	C. A. Nove
N. Y. Faransso	T. L. Plasek
A. F. Garbolevsky	F. J. Sattler
R. W. Hardy	G. M. Gatti, <i>Delegate</i>
R. A. Kellerhall	

**Working Group on Acoustic Emissions (SG-VM) (BPV V)**

N. Y. Faransso, <i>Chair</i>	J. E. Batey
J. E. Aycocock	R. K. Miller

**Working Group on Radiography (SG-VM) (BPV V)**

F. B. Kovacs, <i>Chair</i>	G. W. Hembree
S. J. Akrin	R. W. Kruzic
J. E. Aycocock	J. R. McGimpsey
J. E. Batey	R. J. Mills
P. L. Brown	A. B. Nagel
B. Caccamise	C. A. Nove
N. Y. Faransso	T. L. Plasek
A. F. Garbolevsky	F. C. Turnbull
R. W. Hardy	D. E. Williams

**Working Group on Ultrasonics (SG-VM) (BPV V)**

R. W. Kruzic, <i>Chair</i>	R. A. Kellerhall
J. E. Aycocock	M. D. Moles
B. Caccamise	A. B. Nagel
N. Y. Faransso	C. A. Nove
N. A. Finney	F. J. Sattler
O. F. Hedden	

**COMMITTEE ON PRESSURE VESSELS (VIII)**

T. P. Pastor, <i>Chair</i>	D. T. Peters
U. R. Miller, <i>Vice Chair</i>	M. J. Pischke
S. J. Rossi, <i>Staff Secretary</i>	M. D. Rana
T. Schellens, <i>Staff Secretary</i>	G. B. Rawls, Jr.
R. J. Basile	S. C. Roberts
J. Cameron	C. D. Rodery
D. B. DeMichael	A. Selz
J. P. Glaspie	J. R. Sims, Jr.
M. Gold	D. A. Swanson
J. F. Grubb	K. K. Tam
L. E. Hayden, Jr.	S. Terada
G. G. Karcher	E. Uptis
K. T. Lau	P. A. McGowan, <i>Delegate</i>
J. S. Lee	H. Michael, <i>Delegate</i>
R. Mahadeen	K. Oyamada, <i>Delegate</i>
S. Malone	M. E. Papponetti, <i>Delegate</i>
R. W. Mikitka	D. Rui, <i>Delegate</i>
K. Mokhtarian	T. Tahara, <i>Delegate</i>
C. C. Neely	W. S. Jacobs, <i>Contributing Member</i>
T. W. Norton	
D. A. Osage	

**Subgroup on Design (BPV VIII)**

U. R. Miller, <i>Chair</i>	C. D. Rodery
R. J. Basile, <i>Vice Chair</i>	A. Selz
M. D. Lower, <i>Secretary</i>	S. C. Shah
O. A. Barsky	J. C. Sowinski
M. R. Breach	C. H. Sturgeon
F. L. Brown	D. A. Swanson
J. R. Farr	K. K. Tam
C. E. Hinnant	J. Vattappilly
M. H. Jawad	R. A. Whipple
R. W. Mikitka	A. H. Gibbs, <i>Delegate</i>
K. Mokhtarian	K. Oyamada, <i>Delegate</i>
D. A. Osage	M. E. Papponetti, <i>Delegate</i>
T. P. Pastor	W. S. Jacobs, <i>Corresponding Member</i>
M. D. Rana	E. L. Thomas, Jr., <i>Honorary Member</i>
G. B. Rawls, Jr.	
S. C. Roberts	

**Subgroup on High-Pressure Vessels (BPV VIII)**

D. T. Peters, <i>Chair</i>	S. C. Mordre
A. P. Maslowski, <i>Staff Secretary</i>	E. A. Rodriguez
L. P. Antalffy	E. D. Roll
R. C. Biel	J. R. Sims, Jr.
P. N. Chaku	D. L. Stang
R. Cordes	F. W. Tatar
R. D. Dixon	S. Terada
D. M. Fryer	R. Wink
R. T. Hallman	K. Oyamada, <i>Delegate</i>
A. H. Honza	L. Fridlund, <i>Corresponding Member</i>
M. M. James	M. D. Mann, <i>Contributing Member</i>
P. Jansson	G. J. Mraz, <i>Contributing Member</i>
J. A. Kapp	D. J. Burns, <i>Honorary Member</i>
J. Keltjens	E. H. Perez, <i>Honorary Member</i>
D. P. Kendall	
A. K. Khare	

**Subgroup on Fabrication and Inspection (BPV VIII)**

C. D. Rodery, <i>Chair</i>	J. S. Lee
J. P. Swezy, Jr., <i>Vice Chair</i>	D. A. Osage
B. R. Morelock, <i>Secretary</i>	M. J. Pischke
J. L. Arnold	M. J. Rice
W. J. Bees	B. F. Shelley
L. F. Campbell	P. L. Sturgill
H. E. Gordon	T. Tahara
W. S. Jacobs	K. Oyamada, <i>Delegate</i>
D. J. Kreft	R. Uebel, <i>Delegate</i>

**Subgroup on Materials (BPV VIII)**

J. F. Grubb, <i>Chair</i>	K. Oyamada, <i>Delegate</i>
J. Cameron, <i>Vice Chair</i>	E. E. Morgenege, <i>Corresponding Member</i>
P. G. Wittenbach, <i>Secretary</i>	E. G. Nisbett, <i>Corresponding Member</i>
A. Di Rienzo	G. S. Dixit, <i>Contributing Member</i>
M. Gold	J. A. McMaster, <i>Contributing Member</i>
M. Katcher	
W. M. Lundy	
D. W. Rahoi	
R. C. Sutherland	
E. Uptis	

**Subgroup on General Requirements (BPV VIII)**

S. C. Roberts, <i>Chair</i>	C. C. Neely
D. B. DeMichael, <i>Vice Chair</i>	A. S. Olivares
F. L. Richter, <i>Secretary</i>	D. B. Stewart
R. J. Basile	D. A. Swanson
D. T. Davis	K. K. Tam
J. P. Glaspie	A. H. Gibbs, <i>Delegate</i>
L. E. Hayden, Jr.	K. Oyamada, <i>Delegate</i>
K. T. Lau	R. Uebel, <i>Delegate</i>
M. D. Lower	

**Subgroup on Toughness (BPV II & BPV VIII)**

D. A. Swanson, <i>Chair</i>	C. C. Neely
J. L. Arnold	M. D. Rana
R. J. Basile	F. L. Richter
J. Cameron	J. P. Swezy, Jr.
H. E. Gordon	E. Uptis
W. S. Jacobs	J. Vattappilly
K. Mokhtarian	K. Oyamada, <i>Delegate</i>

**Special Working Group on Graphite Pressure Equipment (BPV VIII)**

S. Malone, <i>Chair</i>	R. W. Dickerson
E. Soltow, <i>Vice Chair</i>	B. Lukasch
T. F. Bonn	M. R. Minick
F. L. Brown	A. A. Stupica

**Subgroup on Heat Transfer Equipment (BPV VIII)**

R. Mahadeen, <i>Chair</i>	D. L. Kurlle
T. W. Norton, <i>Vice Chair</i>	B. J. Lerch
G. Aurioles	S. Mayeux
S. R. Babka	U. R. Miller
J. H. Barbee	R. J. Stastny
O. A. Barsky	K. Oyamada, <i>Delegate</i>
I. G. Campbell	F. Osweiller, <i>Corresponding Member</i>
A. Chaudouet	S. Yokell, <i>Corresponding Member</i>
M. D. Clark	M. J. Holtz, <i>Honorary Member</i>
J. I. Gordon	
M. J. Holtz	
F. E. Jehrio	
G. G. Karcher	

**Task Group on Impulsively Loaded Vessels (BPV VIII)**

R. E. Nickell, <i>Chair</i>	D. Hilding
G. A. Antaki	K. W. King
J. K. Asahina	R. Kitamura
D. D. Barker	R. A. Leishear
R. C. Biel	P. Leslie
D. W. Bowman	F. Ohlson
A. M. Clayton	D. T. Peters
J. E. Didlake, Jr.	E. A. Rodriguez
T. A. Duffey	C. Romero
B. L. Haroldsen	J. E. Shepherd
H. L. Heaton	

**COMMITTEE ON WELDING AND BRAZING (IX)**

J. G. Feldstein, <i>Chair</i>	M. J. Pischke
W. J. Sperko, <i>Vice Chair</i>	M. J. Rice
S. J. Rossi, <i>Staff Secretary</i>	M. B. Sims
D. A. Bowers	M. J. Stanko
R. K. Brown, Jr.	J. P. Swezy, Jr.
M. L. Carpenter	P. L. Van Fosson
P. D. Flenner	R. R. Young
R. M. Jessee	S. Raghunathan, <i>Contributing Member</i>
J. S. Lee	S. D. Reynolds, Jr., <i>Contributing Member</i>
W. M. Lundy	W. D. Doty, <i>Honorary Member</i>
T. Melfi	
W. F. Newell, Jr.	
B. R. Newmark	
A. S. Olivares	

**Subgroup on Brazing (BPV IX)**

M. J. Pischke, <i>Chair</i>	M. L. Carpenter
E. W. Beckman	A. F. Garbolevsky
L. F. Campbell	J. P. Swezy, Jr.

**Subgroup on General Requirements (BPV IX)**

B. R. Newmark, <i>Chair</i>	H. B. Porter
E. W. Beckman	P. L. Sturgill
P. R. Evans	K. R. Willens
R. M. Jessee	E. Molina, <i>Delegate</i>
A. S. Olivares	

**Subgroup on Materials (BPV IX)**

S. E. Gingrich	C. E. Sainz
R. M. Jessee	W. J. Sperko
C. C. Kim	M. J. Stanko
T. Melfi	R. R. Young
S. D. Reynolds, Jr.	V. Giunto, <i>Delegate</i>

**Subgroup on Performance Qualification (BPV IX)**

D. A. Bowers, <i>Chair</i>	K. L. Hayes
V. A. Bell	J. S. Lee
L. P. Connor	W. M. Lundy
R. B. Corbit	E. G. Reichelt
P. R. Evans	M. B. Sims
P. D. Flenner	G. W. Spohn III

**Subgroup on Procedure Qualification (BPV IX)**

D. A. Bowers, <i>Chair</i>	M. B. Sims
M. J. Rice, <i>Secretary</i>	W. J. Sperko
M. Bernasek	S. A. Sprague
R. K. Brown, Jr.	J. P. Swezy, Jr.
J. R. McGimpsey	P. L. Van Fosson
W. F. Newell, Jr.	T. C. Wiesner
A. S. Olivares	E. Molina, <i>Delegate</i>
S. D. Reynolds, Jr.	

**COMMITTEE ON FIBER-REINFORCED PLASTIC PRESSURE VESSELS (X)**

D. Eisberg, <i>Chair</i>	D. L. Keeler
P. J. Conlisk, <i>Vice Chair</i>	B. M. Linnemann
P. D. Stumpf, <i>Staff Secretary</i>	N. L. Newhouse
F. L. Brown	D. J. Painter
J. L. Bustillos	G. Ramirez
T. W. Cowley	J. R. Richter
I. L. Dinovo	J. A. Rolston
T. J. Fowler	B. F. Shelley
M. R. Gorman	F. W. Van Name
D. H. Hodgkinson	D. O. Yancey, Jr.
L. E. Hunt	P. H. Ziehl

**COMMITTEE ON NUCLEAR INSERVICE INSPECTION (XI)**

G. C. Park, <i>Chair</i>	D. A. Scarth
R. W. Swayne, <i>Vice Chair</i>	F. J. Schaaf, Jr.
R. L. Crane, <i>Staff Secretary</i>	J. C. Spanner, Jr.
W. H. Bamford, Jr.	G. L. Stevens
C. B. Cantrell	K. B. Thomas
R. C. Cipolla	E. W. Throckmorton III
M. L. Coats	D. E. Waskey
D. D. Davis	R. A. West
R. L. Dyle	C. J. Wirtz
E. L. Farrow	R. A. Yonekawa
J. Fletcher	K. K. Yoon
E. B. Gerlach	T. Yuhara
R. E. Gimple	Y.-S. Chang, <i>Delegate</i>
F. E. Gregor	J. T. Lindberg, <i>Alternate</i>
K. Hasegawa	L. J. Chockie, <i>Honorary Member</i>
D. O. Henry	C. D. Cowfer, <i>Honorary Member</i>
J. C. Keenan	O. F. Hedden, <i>Honorary Member</i>
R. D. Kerr	L. R. Katz, <i>Honorary Member</i>
S. D. Kulat	P. C. Riccardella, <i>Honorary Member</i>
G. L. Lagleder	
D. W. Lamond	
G. A. Lofthus	
W. E. Norris	
K. Rhyne	

**Executive Committee (BPV XI)**

R. W. Swayne, <i>Chair</i>	W. E. Norris
G. C. Park, <i>Vice Chair</i>	K. Rhyne
R. L. Crane, <i>Staff Secretary</i>	J. C. Spanner, Jr.
W. H. Bamford, Jr.	K. B. Thomas
R. L. Dyle	R. A. West
R. E. Gimple	R. A. Yonekawa
J. T. Lindberg	

**Subgroup on Evaluation Standards (SG-ES) (BPV XI)**

W. H. Bamford, Jr., <i>Chair</i>	K. Koyama
G. L. Stevens, <i>Secretary</i>	D. R. Lee
H.-D. Chung	H. S. Mehta
R. C. Cipolla	J. G. Merkle
G. H. DeBoo	M. A. Mitchell
R. L. Dyle	K. Miyazaki
B. R. Ganta	S. Ranganath
T. J. Griesbach	D. A. Scarth
K. Hasegawa	T.-L. Sham
K. Hojo	K. R. Wichman
D. N. Hopkins	K. K. Yoon
Y. Imamura	Y.-S. Chang, <i>Delegate</i>

**Working Group on Flaw Evaluation (SG-ES) (BPV XI)**

R. C. Cipolla, <i>Chair</i>	H. S. Mehta
G. H. DeBoo, <i>Secretary</i>	J. G. Merkle
W. H. Bamford, Jr.	K. Miyazaki
M. Basol	R. K. Qashu
B. Bezensek	S. Ranganath
J. M. Bloom	D. L. Rudland
H.-D. Chung	P. J. Rush
B. R. Ganta	D. A. Scarth
R. G. Gilada	W. L. Server
T. J. Griesbach	N. J. Shah
H. L. Gustin	T. V. Vo
F. D. Hayes	K. R. Wichman
P. H. Hoang	G. M. Wilkowski
K. Hojo	S. X. Xu
D. N. Hopkins	K. K. Yoon
K. Koyama	V. A. Zilberstein
D. R. Lee	

**Working Group on Operating Plant Criteria (SG-ES) (BPV XI)**

T. J. Griesbach, <i>Chair</i>	M. A. Mitchell
W. H. Bamford, Jr.	R. Pace
H. Behnke	S. Ranganath
B. A. Bishop	W. L. Server
T. L. Dickson	E. A. Siegel
R. L. Dyle	D. V. Sommerville
S. R. Gosselin	G. L. Stevens
M. Hayashi	D. P. Weakland
H. S. Mehta	K. K. Yoon

**Working Group on Pipe Flaw Evaluation (SG-ES) (BPV XI)**

D. A. Scarth, <i>Chair</i>	K. Hojo
G. M. Wilkowski, <i>Secretary</i>	D. N. Hopkins
T. A. Bacon	K. Kashima
W. H. Bamford, Jr.	R. O. McGill
B. Bezensek	H. S. Mehta
H.-D. Chung	K. Miyazaki
R. C. Cipolla	D. L. Rudland
N. G. Cofie	P. J. Rush
J. M. Davis	T.-L. Sham
G. H. DeBoo	T. V. Vo
B. Dogan	B. S. Wasiluk
B. R. Ganta	S. X. Xu
L. F. Goyette	K. K. Yoon
K. Hasegawa	V. A. Zilberstein
P. H. Hoang	

**Subgroup on Nondestructive Examination (SG-NDE) (BPV XI)**

J. C. Spanner, Jr., <i>Chair</i>	D. O. Henry
G. A. Lofthus, <i>Secretary</i>	D. Kurek
C. A. Anderson	G. L. Lagleder
T. L. Chan	J. T. Lindberg
C. B. Cheezem	G. R. Perkins
D. R. Cordes	A. S. Reed
F. E. Dohmen	F. J. Schaaf, Jr.
M. E. Gothard	C. J. Wirtz

**Working Group on Personnel Qualification and Surface Visual and Eddy Current Examination (SG-NDE) (BPV XI)**

A. S. Reed, <i>Chair</i>	J. W. Houf
D. R. Cordes, <i>Secretary</i>	J. T. Lindberg
C. A. Anderson	D. R. Quattlebaum, Jr.
B. L. Curtis	D. Spake
N. Farenbaugh	J. C. Spanner, Jr.
D. O. Henry	M. C. Weatherly
K. M. Hoffman	C. J. Wirtz

**Working Group on Procedure Qualification and Volumetric Examination (SG-NDE) (BPV XI)**

M. E. Gothard, <i>Chair</i>	R. A. Kellerhall
G. R. Perkins, <i>Secretary</i>	D. Kurek
M. T. Anderson	G. A. Lofthus
C. B. Cheezem	C. E. Moyer
A. D. Chockie	S. A. Sabo
S. R. Doctor	R. V. Swain
F. E. Dohmen	S. J. Todd
K. J. Hacker	

**Subgroup on Repair/Replacement Activities (SG-RRA) (BPV XI)**

R. A. Yonekawa, <i>Chair</i>	J. C. Keenan
E. V. Farrell, Jr., <i>Secretary</i>	R. D. Kerr
S. B. Brown	S. L. McCracken
R. E. Cantrell	B. R. Newton
P. D. Fisher	J. E. O'Sullivan
J. M. Gamber	R. R. Stevenson
E. B. Gerlach	R. W. Swayne
R. E. Gimple	D. E. Waskey
D. R. Graham	J. G. Weicks
R. A. Hermann	E. G. Reichelt, <i>Alternate</i>
K. J. Karwoski	

**Working Group on Welding and Special Repair Processes (SG-RRA) (BPV XI)**

D. E. Waskey, <i>Chair</i>	M. Lau
D. J. Tilly, <i>Secretary</i>	S. L. McCracken
R. E. Cantrell	D. B. Meredith
S. J. Findlan	B. R. Newton
P. D. Fisher	J. E. O'Sullivan
M. L. Hall	G. R. Poling
R. A. Hermann	R. E. Smith
K. J. Karwoski	J. G. Weicks
C. C. Kim	K. R. Willens

**Working Group on Design and Programs (SG-RRA) (BPV XI)**

E. B. Gerlach, <i>Chair</i>	D. R. Graham
S. B. Brown, <i>Secretary</i>	G. F. Harttraft
O. Bhatti	T. E. Hiss
J. W. Collins	M. A. Pyne
R. R. Croft	R. R. Stevenson
G. G. Elder	R. W. Swayne
E. V. Farrell, Jr.	A. H. Taufique
S. K. Fisher	T. P. Vassallo, Jr.
J. M. Gamber	R. A. Yonekawa

**Subgroup on Water-Cooled Systems (SG-WCS) (BPV XI)**

K. B. Thomas, <i>Chair</i>	S. D. Kulat
N. A. Palm, <i>Secretary</i>	D. W. Lamond
J. M. Agold	A. McNeill III
V. L. Armentrout	T. Nomura
J. M. Boughman	W. E. Norris
S. T. Chesworth	G. C. Park
M. L. Coats	J. E. Staffiera
D. D. Davis	E. W. Throckmorton III
H. Q. Do	R. A. West
E. L. Farrow	G. E. Whitman
M. J. Ferlisi	H. L. Graves III, <i>Alternate</i>
O. F. Hedden	

**Working Group on Containment (SG-WCS) (BPV XI)**

J. E. Staffiera, <i>Chair</i>	H. L. Graves III
H. M. Stephens, Jr., <i>Secretary</i>	H. T. Hill
S. G. Brown	R. D. Hough
R. C. Cox	C. N. Krishnaswamy
J. W. Crider	D. J. Naus
M. J. Ferlisi	F. Poteet III
P. S. Ghosal	G. Thomas
D. H. Goche	W. E. Norris, <i>Alternate</i>

**Working Group on ISI Optimization (SG-WCS) (BPV XI)**

D. R. Cordes, <i>Chair</i>	A. H. Mahindrakar
S. A. Norman, <i>Secretary</i>	S. A. Sabo
W. H. Bamford, Jr.	S. R. Scott
J. M. Boughman	E. A. Siegel
J. W. Collins	K. B. Thomas
M. E. Gothard	G. E. Whitman
R. E. Hall	Y. Yuguchi

**Working Group on Implementation of Risk-Based Examination (SG-WCS) (BPV XI)**

S. D. Kulat, <i>Chair</i>	K. M. Hoffman
S. T. Chesworth, <i>Secretary</i>	A. T. Keim
J. M. Agold	D. W. Lamond
B. A. Bishop	J. T. Lewis
C. Cueto-Felgueroso	R. K. Mattu
H. Q. Do	A. McNeill III
R. Fouguesse	P. J. O'Regan
M. R. Graybeal	N. A. Palm
J. Hakii	M. A. Pyne
K. W. Hall	J. C. Younger

**Working Group on Inspection of Systems and Components (SG-WCS) (BPV XI)**

J. M. Agold, <i>Chair</i>	S. D. Kulat
V. L. Armentrout, <i>Secretary</i>	T. A. Meyer
C. Cueto-Felgueroso	D. G. Naujock
H. Q. Do	T. Nomura
M. J. Ferlisi	C. M. Ross
R. Fouguesse	K. B. Thomas
K. W. Hall	G. E. Whitman

**Working Group on Pressure Testing (SG-WCS) (BPV XI)**

D. W. Lamond, <i>Chair</i>	R. E. Hall
J. M. Boughman, <i>Secretary</i>	A. McNeill III
Y.-K. Chung	B. L. Montgomery
J. J. Churchwell	P. N. Passalugo
T. Coste	E. J. Sullivan, Jr.
J. A. Doughty	E. W. Throckmorton III
G. L. Fechter IV	

**Special Working Group on Editing and Review (BPV XI)**

R. W. Swayne, <i>Chair</i>	J. E. Staffiera
C. E. Moyer	D. J. Tilly
K. R. Rao	C. J. Wirtz

**Special Working Group on Nuclear Plant Aging (BPV XI)**

T. A. Meyer, <i>Chair</i>	A. B. Meichler
D. V. Burgess, <i>Secretary</i>	R. E. Nickell
S. Asada	K. Sakamoto
Y.-K. Chung	W. L. Server
D. D. Davis	R. L. Turner
F. E. Gregor	G. G. Young
A. L. Hiser, Jr.	G. E. Carpenter, <i>Alternate</i>

**Special Working Group on High-Temperature Gas-Cooled Reactors (BPV XI)**

J. Fletcher, <i>Chair</i>	A. B. Hull
M. A. Lockwood, <i>Secretary</i>	R. K. Miller
N. Broom	M. N. Mitchell
C. Cueto-Felgueroso	T. Roney
K. N. Fleming	F. J. Schaaf, Jr.
S. R. Gosselin	F. Shahrokhi
M. R. Graybeal	R. W. Swayne

**Working Group on General Requirements (BPV XI)**

K. Rhyne, <i>Chair</i>	E. L. Farrow
E. J. Maloney, <i>Secretary</i>	J. C. Keenan
G. P. Alexander	R. K. Mattu
T. L. Chan	S. R. Scott
M. L. Coats	G. E. Szabatura

**COMMITTEE ON TRANSPORT TANKS (XII)**

M. D. Rana, <i>Chair</i>	M. D. Pham
S. Staniszewski, <i>Vice Chair</i>	M. Pitts
D. R. Sharp, <i>Staff Secretary</i>	T. A. Rogers
A. N. Antoniou	A. Selz
C. H. Hochman	W. K. Smith
G. G. Karcher	A. P. Varghese
N. J. Paulick	M. R. Ward

**Subgroup on Design and Materials (BPV XII)**

A. P. Varghese, <i>Chair</i>	M. D. Pham
R. C. Sallash, <i>Secretary</i>	M. D. Rana
P. Chilukuri	T. A. Rogers
T. Hitchcock	A. Selz
G. G. Karcher	M. R. Ward
S. L. McWilliams	E. A. Whittle
N. J. Paulick	



**Subgroup on Fabrication and Inspection (BPV XII)**

J. A. Byers  
B. L. Gehl  
L. D. Holsinger

D. J. Kreft  
A. S. Olivares  
L. H. Strouse

**Subgroup on General Requirements (BPV XII)**

C. H. Hochman, *Chair*  
A. N. Antoniou, *Secretary*  
T. W. Alexander  
J. L. Freiler  
W. L. Garfield  
K. L. Gilmore  
M. Pitts

J. L. Rademacher  
T. Rummel  
R. C. Sallash  
W. K. Smith  
S. Staniszewski  
L. H. Strouse

**Subgroup on Nonmandatory Appendices (BPV XII)**

T. A. Rogers, *Chair*  
S. Staniszewski, *Secretary*  
D. D. Brusewitz  
J. L. Conley  
T. Eubanks  
B. L. Gehl  
T. Hitchcock

S. L. McWilliams  
M. Pitts  
J. L. Rademacher  
A. Selz  
D. G. Shelton  
A. P. Varghese  
M. R. Ward

**COMMITTEE ON BOILER AND  
PRESSURE VESSEL CONFORMITY ASSESSMENT (CBPVCA)**

W. C. LaRochelle, *Chair*  
P. D. Edwards, *Vice Chair*  
K. I. Baron, *Staff Secretary*  
W. J. Bees  
S. W. Cameron  
T. E. Hansen  
D. J. Jenkins  
K. T. Lau  
L. E. McDonald  
K. M. McTague  
D. Miller  
B. R. Morelock  
J. D. O'Leary  
T. M. Parks  
B. C. Turczynski  
D. E. Tuttle  
E. A. Whittle  
S. F. Harrison, Jr., *Contributing Member*

D. C. Cook, *Alternate*  
R. D. Danzy, *Alternate*  
M. A. DeVries, *Alternate*  
G. L. Hollinger, *Alternate*  
D. W. King, *Alternate*  
B. L. Krasium, *Alternate*  
P. F. Martin, *Alternate*  
K. McPhie, *Alternate*  
G. P. Milley, *Alternate*  
M. R. Minick, *Alternate*  
T. W. Norton, *Alternate*  
F. J. Pavlovicz, *Alternate*  
M. T. Roby, *Alternate*  
J. A. West, *Alternate*  
R. V. Wielgoszinski, *Alternate*  
A. J. Spencer, *Honorary Member*

**COMMITTEE ON NUCLEAR CERTIFICATION (CNC)**

R. R. Stevenson, *Chair*  
W. C. LaRochelle, *Vice Chair*  
J. Pang, *Staff Secretary*  
M. N. Bressler  
G. Deily  
S. M. Goodwin  
K. A. Huber  
M. Kotb  
J. C. Krane  
R. P. McIntyre  
M. R. Minick  
H. B. Prasse  
T. E. Quaka  
D. M. Vickery  
C. S. Withers

M. F. Sullivan, *Contributing Member*  
P. D. Edwards, *Alternate*  
D. P. Gobbi, *Alternate*  
J. W. Highlands, *Alternate*  
K. M. Hottle, *Alternate*  
K. A. Kavanagh, *Alternate*  
B. G. Kovarik, *Alternate*  
B. L. Krasium, *Alternate*  
M. A. Lockwood, *Alternate*  
R. J. Luymes, *Alternate*  
L. M. Plante, *Alternate*  
D. W. Stepp, *Alternate*  
E. A. Whittle, *Alternate*  
H. L. Wiger, *Alternate*

**COMMITTEE ON  
SAFETY VALVE REQUIREMENTS (BPV-SVR)**

J. A. West, *Chair*  
D. B. DeMichael, *Vice Chair*  
C. E. O'Brien, *Staff Secretary*  
J. F. Ball  
S. Cammeresi  
J. A. Cox  
R. D. Danzy  
R. J. Doelling  
J. P. Glaspie

S. F. Harrison, Jr.  
W. F. Hart  
D. Miller  
T. M. Parks  
D. K. Parrish  
T. Patel  
D. J. Scallan  
Z. Wang

**Subgroup on Design (BPV-SVR)**

R. D. Danzy, *Chair*  
C. E. Bear  
J. A. Conley  
R. J. Doelling

D. Miller  
T. Patel  
T. R. Tarbay  
J. A. West

**Subgroup on General Requirements (BPV-SVR)**

D. B. DeMichael, *Chair*  
J. F. Ball  
G. Brazier  
J. P. Glaspie  
D. K. Parrish

J. W. Ramsey  
J. W. Richardson  
D. E. Tuttle  
S. T. French, *Alternate*

**Subgroup on Testing (BPV-SVR)**

J. A. Cox, *Chair*  
J. E. Britt  
S. Cammeresi  
G. D. Goodson

W. F. Hart  
B. K. Nutter  
D. J. Scallan  
Z. Wang

**U.S. Technical Advisory Group ISO/TC 185  
Safety Relief Valves**

T. J. Bevilacqua, *Chair*  
C. E. O'Brien, *Staff Secretary*  
J. F. Ball  
G. Brazier

D. B. DeMichael  
D. Miller  
B. K. Nutter  
J. A. West

# PREAMBLE

This Code covers rules for construction of power boilers,<sup>1</sup> electric boilers,<sup>2</sup> miniature boilers,<sup>3</sup> high-temperature water boilers,<sup>4</sup> heat recovery steam generators,<sup>5</sup> and certain fired pressure vessels<sup>6</sup> to be used in stationary service and includes those power boilers used in locomotive, portable, and traction service. Reference to a paragraph includes all the subparagraphs and subdivisions under that paragraph.

The Code does not contain rules to cover all details of design and construction. Where complete details are not given, it is intended that the manufacturer, subject to the acceptance of the Authorized Inspector, shall provide details of design and construction which will be as safe as otherwise provided by the rules in the Code.

The scope of jurisdiction of Section I applies to the boiler proper and to the boiler external piping.

Superheaters, economizers, and other pressure parts connected directly to the boiler without intervening valves shall be considered as parts of the boiler proper, and their construction shall conform to Section I rules.

Boiler external piping shall be considered as that piping which begins where the boiler proper or isolable superheater, or isolable economizer terminates at:

- (a) the first circumferential joint for welding end connections; or
- (b) the face of the first flange in bolted flanged connections; or
- (c) the first threaded joint in that type of connection; and which extends up to and including the valve or valves required by this Code.

ASME Code Certification (including Data Forms and Code Symbol Stamping), and/or inspection by the Authorized Inspector, when required by this Code, is required for the boiler proper and the boiler external piping.

<sup>1</sup> Power boiler — a boiler in which steam or other vapor is generated at a pressure of more than 15 psi (100 kPa) for use external to itself.

<sup>2</sup> Electric boiler — a power boiler or a high-temperature water boiler in which the source of heat is electricity.

<sup>3</sup> Miniature boiler — a power boiler or a high-temperature water boiler in which the limits specified in PMB-2 are not exceeded.

<sup>4</sup> High-temperature water boiler — a water boiler intended for operation at pressures in excess of 160 psi (1.1 MPa) and/or temperatures in excess of 250°F (120°C).

<sup>5</sup> Heat recovery steam generator (HRSG) — a boiler that has as its principal source of thermal energy a hot gas stream having high-ramp rates and temperatures such as the exhaust of a gas turbine.

<sup>6</sup> Fired pressure vessel — reheaters, isolable superheaters, and nonintegral separately fired superheaters.

Construction rules for materials, design, fabrication, installation, and testing of the boiler external piping are contained in ASME B31.1, Power Piping. Piping beyond the valve or valves required by Section I is not within the scope of Section I, and it is not the intent that the Code Symbol Stamp be applied to such piping or any other piping.

The material for forced-circulation boilers, boilers with no fixed steam and water line, and high-temperature water boilers shall conform to the requirements of the Code. All other requirements shall also be met except where they relate to special features of construction made necessary in boilers of these types, and to accessories that are manifestly not needed or used in connection with such boilers, such as water gages and water columns.

Reheaters receiving steam which has passed through part of a turbine or other prime mover and separately fired steam superheaters which are not integral with the boiler are considered fired pressure vessels and their construction shall comply with Code requirements for superheaters, including safety devices. Piping between the reheater connections and the turbine or other prime mover is not within the scope of the Code. Steam piping to the inlet connections and from the outlet connections of nonintegral separately fired superheaters is not within the scope of the Code.

A pressure vessel in which steam is generated by the application of heat resulting from the combustion of fuel (solid, liquid, or gaseous) shall be classed as a fired steam boiler.

Unfired pressure vessels in which steam is generated shall be classed as unfired steam boilers with the following exceptions:

- (a) vessels known as evaporators or heat exchangers
- (b) vessels in which steam is generated by the use of heat resulting from operation of a processing system containing a number of pressure vessels such as used in the manufacture of chemical and petroleum products

Unfired steam boilers shall be constructed under the provisions of Section I or Section VIII.

Expansion tanks connected to high-temperature water boilers without intervening valves shall be constructed to the requirements of Section I or Section VIII.

A pressure vessel in which an organic fluid is vaporized by the application of heat resulting from the combustion

of fuel (solid, liquid, or gaseous) shall be constructed under the provisions of Section I. Vessels in which vapor is generated incidental to the operation of a processing sys-

tem, containing a number of pressure vessels such as used in chemical and petroleum manufacture, are not covered by the rules of Section I.

## SUMMARY OF CHANGES

The 2010 Edition of this Code contains revisions in addition to the 2007 Edition with 2008 and 2009 Addenda. The revisions are identified with the designation **(10)** in the margin and, as described in the Foreword, become mandatory 6 months after the publication date of the 2010 Edition. To invoke these revisions before their mandatory date, use the designation “2010 Edition” in documentation required by this Code. If you choose not to invoke these revisions before their mandatory date, use the designation “2007 Edition through the 2009 Addenda” in documentation required by this Code.

The Record Numbers listed below are explained in more detail in “List of Changes in Record Number Order” following this Summary of Changes.

Changes given below are identified on the pages by a margin note, **(10)**, placed next to the affected area.

<i>Page</i>	<i>Location</i>	<i>Change (Record Number)</i>
xiii	List of Sections	(1) Paragraph below “Addenda” editorially revised (2) Second paragraph below “Interpretations” editorially revised (3) Paragraph below “Code Cases” editorially revised
xv, xvi	Foreword	Ninth and eleventh paragraphs revised
xvii	Statement of Policy on the Use of Code Symbols	(1) In the third paragraph, last sentence added (2) Last paragraph deleted
2	PG-5.1	Revised (09-19)
	PG-5.6	Heading added (09-986)
	PG-5.6.1	Redesignated from PG-5.6 and revised (09-986)
3	PG-5.6.2	Added (09-986)
	PG-8.2.2	Revised (09-1125)
4, 5	PG-8.4.1.1	Designation editorially corrected
	PG-8.4.1.2	Designation editorially corrected
	PG-9.1	(1) SA/EN 10216-2 added (09-543) (2) SA/EN 10222-2 added (09-220)
	PG-9.1.2	SB-167, SB-407, SB-423, SB-515, SB-516, and SB-517 titles revised (09-1125)
	PG-9.2	SB-167, SB-443, SB-444, SB-446, and SB-462 titles revised (09-1125)
9	PG-11.3.3	Revised (08-1013)
10, 11	PG-19	Sentence beginning with “Forming strains” under subpara. (b) set as a new paragraph by errata (09-647)
	PG-20	Added (08-1075)
12	Table PG-19	(1) Grades 230 and 617 added (09-17) (2) Grade 310HCbN added (09-349)
13	Table PG-20	Added (08-1075)
15	PG-27.1	First paragraph revised; fourth paragraph added (09-180)

<i>Page</i>	<i>Location</i>	<i>Change (Record Number)</i>
16	Table PG-26	(1) Steel group C-Mo added (09-778) (2) Notes (3) and (4) revised (09-181) (3) Notes (7) and (8) revised (09-778)
18, 19	PG-27.2.2	Heading revised (09-180)
	PG-27.4	Designators added to notes for editorial purposes; cross-references updated
	PG-27.4.9	First sentence revised (08-1013)
20–22	PG-29.1.1	Added (09-180)
	PG-29.5	Revised (09-1411)
	PG-29.7	Revised (09-1411)
	PG-29.11	Last paragraph added (09-180)
	PG-29.12	Revised (09-1411)
	PG-29.13	Revised (09-1411)
24, 25	PG-31.4	Eighth, ninth, tenth, and sixteenth paragraphs revised (08-1013)
32	PG-38.1	Reference to PG-36.3 deleted from first sentence (09-785)
36, 37	PG-44.2	Revised (09-1569)
	PG-47.1	Second sentence added (09-1608)
40, 41	PG-52.6	Last sentence revised (09-715)
	PG-55.2	First sentence revised (08-1013)
43	Fig. PG-58.3.1(a)	(1) Bold lines added by errata (09-1627) (2) “Main steam” callout corrected by errata (10-125)
44	Fig. PG-58.3.1(b)	(1) Bold lines added by errata (09-1627) (2) PG-68.3 callout corrected by errata (09-1301)
45	Fig. PG-58.3.1(c)	(1) Bold lines added by errata (09-1627) (2) Direction of arrow corrected by errata (09-1301)
46	Fig. PG-58.3.2	Bold lines added by errata (09-1627)
47	Fig. PG-58.3.3	Corrected by errata (09-1627)
54	PG-67.1	Spelling of “pressure” corrected by errata (09-1628)
	PG-67.2.7	Added (09-1150)
58	PG-69.1.5	Spelling of “relief” corrected by errata (10-125)
	PG-69.1.6	Spelling of “relief” corrected by errata (10-125)
62–70	PG-69.2.3	Last paragraph under subpara. (b) added (07-1148)
	Table PG-69.2.3	Added (07-1148)
	Table PG-69.2.3M	Added (07-1148)
	PG-73.2.1	Spelling of “at” corrected by errata (09-1628)
	PG-73.2.11	Spelling of “relief” corrected by errata (10-125)
	PG-73.4.3	Second and third sentences revised (09-229)
	PG-73.5.1	Spelling of “following” corrected by errata (09-1628, 10-125)
82	PG-110	Subparagraphs (e)(1) and (e)(2) revised (07-1148)

<i>Page</i>	<i>Location</i>	<i>Change (Record Number)</i>
84	PG-112.2.4	Added; subsequent paragraphs redesignated (08-171)
88	PW-11	Title revised (08-1013)
	PW-11.1	Revised (08-1013)
	PW-11.2	(1) First sentence revised (08-1013) (2) Definitions of <i>RT</i> and <i>UT</i> deleted (08-1013) (3) Definitions of <i>nondestructive examination</i> and <i>volumetric NDE</i> added (08-1013)
89	Table PW-11	Revised in its entirety (08-1013)
90	PW-16.1	Reference to PW-16.7 added (08-1486)
	PW-16.3	"Radiographic" revised to "volumetric" in second sentence (08-1486)
96, 97	PW-16.7	Added (08-1486)
99	PW-28.5	Deleted (09-4)
100–112	PW-35.1	Penultimate sentence revised (08-1013)
	PW-35.3	"Radiographic" revised to "volumetric" in first sentence (08-1486)
	PW-39.1	Reference to Table PW-39.1 corrected to Table PW-39 by errata (10-125)
	Table PW-39	General Note (a)(15) added (08-1365)
	Table PW-39	General Note (a)(10) added (08-1365)
	Table PW-39	General Note (a)(8)(a) added; (b) and (c) redesignated (08-1365)
	Table PW-39	General Note (d)(1) added; (2) and (3) redesignated (08-1365)
	Table PW-39	General Note (b)(1) added; (2) and (3) redesignated (08-1365)
	Table PW-39	Note (2) revised (09-1549)
	Table PW-39	General Note (a)(1)(b)(2)(b) revised (08-1013)
	Table PW-39	General Note (b)(1)(b)(2)(b) revised (08-1013)
	PW-39.8	Revised (08-1365)
	Table PW-39.1	Revised (09-726)
114	PW-43.1.1	Editorially revised
	PW-43.1.2	Editorially revised
119	PW-51	Title revised (08-1013)
	PW-51.1	Revised (08-1013)
	PW-52	Title revised (08-1013)
	PW-52.1	Revised (08-1013)
120	PW-52.3	Revised (08-1013)
134	PWT-12.2	Last sentence revised (08-1013)
135	PFT-11.3.6	Revised (08-1013)
136	PFT-11.4.6	Revised (08-1013)

<i>Page</i>	<i>Location</i>	<i>Change (Record Number)</i>
138	PFT-14.1	Last sentence revised (08-1013)
	PFT-14.2	Revised (08-1013)
140	PFT-20.2.5	Revised (08-1013)
	PFT-20.5.7	Revised (08-1013)
145	PFT-29	Last sentence revised (08-1013)
146, 147	PFT-32.1	Example editorially revised
	PFT-40	Last sentence revised (08-1013)
	PFT-45.1	Third sentence revised (08-1013)
153, 154	PMB-9	Revised (08-1013)
155	PMB-21.1.1	Title of SA-234 corrected by errata (10-125)
156	PEB-2.4	Revised (09-1407)
	PEB-2.5	Added (07-1501)
157	PEB-9	Revised (08-1013)
165	I-2	Subparagraph (b) editorially revised
166	I-4	Last sentence editorially revised
169	Form III-1A	Item 7 editorially revised
170	Guide	Item 7 editorially revised
171–173	Mandatory Appendix IV	Added (09-180)
195	A-70	Title deleted and inserted above A-71 (10-125)
196	A-71	Title deleted from A-70 and inserted above A-71 (10-125)
203	A-300	Designator editorially deleted
206, 207	A-302.4	Revised (09-19)
208	A-310	Designator editorially deleted
209	A-317.1	First sentence revised (09-180)
211	Form P-2	Item 8 editorially revised
213	A-351	Item 8 editorially revised
215, 217	Form P-2A	(1) Item 8 editorially revised (2) New page 3 added (07-1501)
218	A-351.1	(1) Item 8 editorially revised (2) Item 34 revised (07-1501) (3) Items 37 and 38 added (07-1501)
220	Form P-2B	Item 11 editorially revised
222	A-351.2	Item 11 editorially revised
224	Form P-3	Item 8 editorially revised
227	A-352	Item 8 editorially revised
229	Form P-3A	Item 6 editorially revised
231	A-353	Item 6 editorially revised
232	Form P-4	Item 11 editorially revised

<i>Page</i>	<i>Location</i>	<i>Change (Record Number)</i>
234	A-354	Item 11 editorially revised
236	Form P-4A	Line 6 editorially revised
239	Form P-4B	Line 6 editorially revised
241	Form P-5	Item 12 editorially revised
242	A-355	Item 12 editorially revised
244	Form P-7	Line 7 added (09-1150)
246	A-356	(1) Item 17 revised (09-1150) (2) Item 21 added (09-1150)
251	Table A-360	(1) Reference to ASME B16.5-2003 revised to read ASME B16.5-2009 (09-1115) (2) Note (4) added (09-57)
252	A-370	Item 3 revised (07-1501)
254	A-380	Designator editorially deleted
257	A-390	Designator editorially deleted

**NOTE:** Volume 60 of the Interpretations to Section I of the ASME Boiler and Pressure Vessel Code follows the last page of this Edition.



## LIST OF CHANGES IN RECORD NUMBER ORDER

Record Number	Change
07-201	Added rules to PG-20 for the heat treatment of 9Cr-2W (Grade 92) material, K92460, following cold working.
07-1148	Revised PG-69.2.3, adding new requirements for pressures over 3,200 psig (22.1 MPa); added new Table PG-69.2.3; added text to PG-110(e)(2) and to A-356, Note (17).
07-1501	Revised Form P-2A, Manufacturer's Data Report for All Types of Electric Boilers, to include Certificate of Field Assembly Compliance and Certificate of Field Assembly Inspection; revised A-370 "E" code symbol stamp, item 2, to read, "Design of electric boilers at the above location only and assembly of electric boilers at field sites controlled by the above location."
08-171	Revised PG-112.2.3 to confirm that Form P-3A is not a partial data report.
08-1013	Added definitions for NDE in PW-11.2. Changed title of Table PW-11 to state that it is for volumetric examination and modified notes accordingly. Referenced new mandatory appendix in Section V for UT requirements for a Workmanship Based Acceptance Criteria. Changed references from radiographic examination to volumetric examination throughout the Code where appropriate.
08-1075	Added new PG-20 to establish rules requiring post-forming heat treatment of certain creep strength enhanced ferritic steels (only Grade 91 at this time) if certain cold-forming strain limits are exceeded.
08-1365	Revised PW-39.8 to include references to requirements in Table PW-39 and Table PW-39, P-Nos. 1, 3, 4, 5A, and 5B to include references to PW-39.8.
08-1486	Added PW-16.7 to clarify fillet weld leg dimensions as they pertain to PW-16.
09-4	Deleted text of PW-28.5 and replaced with "Deleted."
09-17	Added lines in PG-19 for UNS N06230 (Alloy 230) and UNS N06617 (Alloy 617).
09-19	Revised PG-5.1 and A-302.4 to clarify the rules requiring the Manufacturer to ensure receipt of required material certifications and that the material received is the correct material.
09-57	Added Note (4) to Table A-360.
09-180	Amended PG-27, PG-29, and A-317 and added new Mandatory Appendix IV to incorporate Code Cases 2330-1 and 2331-1.
09-181	Revised Table PG-26, Note (3) to replace "Carbon steel pipes and tubes" with "Components made from carbon steel" and revised Note (4) to replace "pipe for" with "components made from."
09-220	Adopted ASME SA/EN 10222-2 in PG-9.1 to facilitate use of steel forgings of carbon, 1Cr-0.5Mo, 2.25Cr-1Mo, and 9Cr-1Mo-V steel made to this specification.
09-229	Revised PRD Certification Interval in PG-73.3 from 5 yr to 6 yr.
09-349	Incorporated Code Case 2115-3 for austenitic stainless steel tubes, SA-213/SA-213M, Grade TP310HCbN, UNS S31042, for Section I use, by adding the material to Table PG-19.
09-543	Adopted seamless tubing European Specification EN 10216-2:2002 as SA/EN EN 10216-2:2002 into PG-9.1.
09-715	Revised last sentence in PG-52.6 to clarify that pitch is determined at the mean radius of the cylinder.
09-726	Deleted the metric values from Table PW-39.1 and changed the unit "hr/in. (min/mm)" into "hr"; added the metric version of the unit thickness to Note (1).
09-778	Revised Note (8) of PG-26 to clarify that Section I prohibits longitudinal seam welds in C- $\frac{1}{2}$ Mo steel only at temperatures above 850°F. Added a line to Table PG-26 to indicate a factor of 1.0 is used up to 850°F and include a reference to Note (8). Deleted the reference to Note (8) in the Cr-Mo line of the table.
09-875	Deleted reference to PG-36.3.
09-986	Titled P-5.6 as P-No. 15E Group 1 Materials, and renumbered the first paragraph 5.6.1, with subparas. (a), (b), and (c) following as in the original action. In addition, the first paragraph has been modified to make clear that the 1470°F limiting temperature applies only when no weld is present in the heated area. Numbered the final paragraph 5.6.2 and modified it to make clear that if a weld is present in an area heated above 1425°F after heat treatment, the rules of PW-39 apply.
09-1115	Revised Table A-360 to change the reference of B16.5-2003 to B16.5-2009.
09-1125	Revised PG-8.2.2 to delete the title of SA-278. Revised PG-9.1.2 and PG-9.2 to add nickel-chromium-cobalt-molybdenum alloy to the title of SB-167. Revised PG-9.2 to delete N06625 and replace it with nickel-chromium-molybdenum-columbium alloy in the title for SB-443, SB-444, and SB-446. Revised PG-9.2 to add nickel to the title of SB-462.
09-1150	Added new PG-67.2.7, added new line number on P-7 data report, and added text as bullet 21 to A-356.
09-1301	Changed PG-68.1 to PG-68.3 in Fig. PG-58.3.1(b).
09-1407	Revised PEB-2.4 to add pipe immersion resistance heating elements.
09-1411	Changed the words "diameter of shell" in PG-29.5, PG-29.7, PG-29.12, and PG-29.13 to "outside diameter of the head."

Record Number	Change
09-1549	Revised Table PW-39, P-No. 15E, Group 1, Note (2).
09-1569	Revised PG-44.2 to permit handhole yokes to be made of cast iron.
09-1608	Added requirement for sychronization of staybolt threads to PG-47.
09-1667	Revised definition of "C" in Mandatory Appendix III.
10-125	Corrected by errata.

# PART PG

## GENERAL REQUIREMENTS FOR ALL METHODS OF CONSTRUCTION

### GENERAL

#### PG-1 SCOPE

The requirements of Part PG apply to power boilers and high pressure, high-temperature water boilers and to parts and appurtenances thereto and shall be used in conjunction with the specific requirements in the applicable Parts of this Section that pertain to the methods of construction used.

#### PG-2 SERVICE LIMITATIONS

**PG-2.1** The rules of this Section are applicable to the following services:

- (a) boilers in which steam or other vapor is generated at a pressure of more than 15 psig (100 kPa) for use external to itself
- (b) high-temperature water boilers intended for operation at pressures exceeding 160 psig (1.1 MPa) and/or temperatures exceeding 250°F (120°C)

**PG-2.2** For services below those specified in PG-2.1 it is intended that rules of Section IV apply; however, boilers for such services may be constructed and stamped in accordance with this Section provided all applicable requirements are met.

**PG-2.3** Coil-type hot water boilers where the water can flash into steam when released directly to the atmosphere through a manually operated nozzle may be exempted from the rules of this Section provided the following conditions are met:

- (a) There is no drum, header, or other steam space.
- (b) No steam is generated within the coil.
- (c) Tubing outside diameter does not exceed 1 in. (25 mm).
- (d) Pipe size does not exceed NPS  $\frac{3}{4}$  (DN 20).
- (e) Nominal water capacity does not exceed 6 gal (23 L).
- (f) Water temperature does not exceed 350°F (175°C).
- (g) Adequate pressure relief valves and controls are provided.

**PG-2.4** The rules of this Section are not intended to apply to thermal fluid heaters in which a fluid other than water is heated by the application of heat resulting from the combustion of solid, liquid, or gaseous fuel but in which no vaporization of the fluid takes place; however, such thermal fluid heaters may be constructed and stamped in accordance with this Section, provided all applicable requirements are met.

#### PG-3 REFERENCED STANDARDS

Specific editions of standards referenced in this Section are shown in A-360.

#### PG-4 UNITS

Either U.S. Customary, SI, or any local customary units may be used to demonstrate compliance with all requirements of this edition (e.g., materials, design, fabrication, examination, inspection, testing, certification, and over-pressure protection).

In general, it is expected that a single system of units shall be used for all aspects of design except where unfeasible or impractical. When components are manufactured at different locations where local customary units are different than those used for the general design, the local units may be used for the design and documentation of that component. Similarly, for proprietary components or those uniquely associated with a system of units different than that used for the general design, the alternate units may be used for the design and documentation of that component.

For any single equation, all variables shall be expressed in a single system of units. When separate equations are provided for U.S. Customary and SI units, those equations must be executed using variables in the units associated with the specific equation. Data expressed in other units shall be converted to U.S. Customary or SI units for use in these equations. The result obtained from execution of these equations may be converted to other units.

Production, measurement and test equipment, drawings, welding procedure specifications, welding procedure and performance qualifications, and other fabrication documents may be in U.S. Customary, SI, or local customary units in accordance with the fabricator's practice. When values shown in calculations and analysis, fabrication documents or measurement and test equipment are in different units, any conversions necessary for verification of Code compliance, and to ensure that dimensional consistency is maintained, shall be in accordance with the following:

(a) Conversion factors shall be accurate to at least four significant figures.

(b) The results of conversions of units shall be expressed to a minimum of three significant figures.

Conversion of units, using the precision specified above shall be performed to ensure that dimensional consistency is maintained. Conversion factors between U.S. Customary and SI units may be found in A-390 of Nonmandatory Appendix A, *Guidance for the Use of U.S. Customary and SI Units in the ASME Boiler and Pressure Vessel Code*. Whenever local customary units are used, the Manufacturer shall provide the source of the conversion factors which shall be subject to verification and acceptance by the Authorized Inspector or Certified Individual.

Material that has been manufactured and certified to either the U.S. Customary or SI material specification (e.g., SA-516M) may be used regardless of the unit system used in design. Standard fittings (e.g., flanges, elbows, etc.) that have been certified to either U.S. Customary or SI units may be used regardless of the units system used in design.

All entries on a Manufacturer's Data Report and data for Code-required nameplate marking shall be in units consistent with the fabrication drawings for the component using U.S. Customary, SI, or local customary units. It is acceptable to show alternate units parenthetically. Users of this Code are cautioned that the receiving jurisdiction should be contacted to ensure the units are acceptable.

## MATERIALS

### PG-5 GENERAL

- (10) **PG-5.1** Except as otherwise permitted in PG-8.2, PG-8.3, PG-10, and PG-11, material subject to stress due to pressure shall conform to one of the specifications given in Section II and shall be limited to those that are listed in the Tables of Section II, Part D. The manufacturer shall ensure that the correct material has been received and is properly identified before proceeding with construction (see A-302.4). Materials shall not be used at temperatures above those for which stress values are limited, for Section I construction, in the Tables of Section II, Part D. Specific additional requirements described in PG-5 through PG-13 shall be met as applicable.

**PG-5.2** Material covered by specifications in Section II is not restricted as to the method of production unless so stated in the specification, and as long as the product complies with the requirements of the specification.

**PG-5.3** If, in the development of the art of boiler construction, it is desired to use materials other than those herein described, data should be submitted to the Boiler and Pressure Vessel Committee in accordance with the requirements of Appendix 5 of Section II, Part D. Material not completely identified with any approved Code specifications may be used in the construction of boilers under the conditions outlined in PG-10.

### PG-5.4 Size Limits and Tolerances

**PG-5.4.1** Materials outside the limits of size or thickness given in the title or scope clause of any specification in Section II may be used if the material is in compliance with the other requirements of the specification, and no similar limitation is given in the rules for construction.

**PG-5.4.2** Pipe having a tolerance of  $\pm 1\%$  on either the O.D. or the I.D., rather than the tolerance specified in the material specification, may be used, provided the material complies with all other requirements of the specifications. When used under external pressure, such pipe shall be limited to a maximum of 24 in. (600 mm) in diameter. The pipe shall include the designation 1% O.D. or 1% I.D., as appropriate, in any required documentation and marking of the material.

**PG-5.5** The use of austenitic alloy steel is permitted for boiler pressure parts that are steam touched in normal operation. Except as specifically provided in PG-9.1.1, PG-12, and PEB-5.3, the use of such austenitic alloys for boiler pressure parts that are water wetted in normal service is prohibited.<sup>1</sup>

### PG-5.6 P-No. 15E, Group 1 Materials (10)

**PG-5.6.1** If during any phase of manufacturing or erection any portion of the component that does not contain a weld is heated to a temperature greater than 1,470°F (800°C), one of the following actions shall be performed: (10)

(a) The component shall be reaustenitized and retempered in its entirety in accordance with the specification requirements.

(b) That portion of the component heated above 1,470°F (800°C), including the heat-affected zone created by the

<sup>1</sup> Austenitic alloys are susceptible to intergranular corrosion and stress corrosion cracking when used in boiler applications in water wetted service. Factors that affect the sensitivity to these metallurgical phenomena are applied or residual stress and water chemistry. Susceptibility to attack is usually enhanced by using the material in a stressed condition with a concentration of corrosive agents (e.g., chlorides, caustic, or reduced sulfur species). For successful operation in water environments, residual and applied stresses must be minimized and careful attention must be paid to continuous control of water chemistry.

local heating, must be replaced or must be removed, reautenitized, and retempered in accordance with the specification requirements and then replaced in the component.

(c) If the allowable stress values to be used are less than or equal to those provided in Table 1A of Section II, Part D for Grade 9 (e.g., SA-213 T9, SA-335 P9, or equivalent product specifications) at the design temperature, then the requirements stated above may be waived, provided that the portion of the component heated above 1,470°F (800°C) is retempered in accordance with the specification requirements. The use of this provision shall be noted on the Manufacturer's Data Report.

- (10) **PG-5.6.2** If during any phase of manufacturing or erection of the component, any portion that does contain a weld is heated above 1,425°F (775°C), then the requirements of Notes (3) and (4) of Table PW-39 for P-No. 15E, Group 1 Materials, shall apply for reheat treatment.

**PG-6 PLATE**

**PG-6.1** Steel plates for any part of a boiler subject to pressure, whether or not exposed to the fire or products of combustion, shall be of pressure vessel quality in accordance with one of the following specifications:

- SA-202 Pressure Vessel Plates, Alloy Steel, Chromium-Manganese-Silicon
- SA-204 Pressure Vessel Plates, Alloy Steel, Molybdenum
- SA-240 (Type 405 only) Pressure Vessel Plates, Alloy Steel (Ferritic Stainless), Chromium
- SA-285 Pressure Vessel Plates, Carbon Steel, Low-and Intermediate-Tensile Strength
- SA-299 Pressure Vessel Plates, Carbon Steel, Manganese-Silicon
- SA-302 Pressure Vessel Plates, Alloy Steel, Manganese-Molybdenum and Manganese-Molybdenum-Nickel
- SA-387 Pressure Vessel Plates, Alloy Steel, Chromium-Molybdenum
- SA-515 Pressure Vessel Plates, Carbon Steel, for Intermediate- and Higher-Temperature Service
- SA-516 Pressure Vessel Plates, Carbon Steel, for Moderate- and Lower-Temperature Service
- SA/AS 1548 Steel Plates for Pressure Equipment
- SA/EN-10028-2 Flat Products Made of Steels for Pressure Purposes
- SA/JIS G3118 Carbon Steel Plates for Pressure Vessels for Intermediate and Moderate Temperature Service

**PG-7 FORGINGS**

**PG-7.1** Seamless steel drum forgings made in accordance with SA-266 for Carbon-Steel and SA-336 for Alloy Steel may be used for any part of a boiler for which pressure vessel quality is specified or permitted.

**PG-7.2** Forged flanges, fittings, nozzles, valves, and other pressure parts of the boiler shall be of material that conforms to one of the forging specifications as listed in PG-9.

**PG-7.3** Drums, shells, or domes may be of seamless drawn construction, with or without integral heads, provided the material conforms to the requirements of the Code for shell material.

**PG-8 CASTINGS**

**PG-8.1** Except for the limited usage permitted by PG-8.2 and PG-8.3, cast material used in the construction of vessels and vessel parts shall conform to one of the specifications listed in PG-9 for which maximum allowable stress values are given in Tables 1A and 1B of Section II, Part D. The allowable stress values shall be multiplied by the applicable casting quality factor given in PG-25 for all cast materials except cast iron.

When cast iron is used as allowed in PG-11.1 for standard pressure parts, it shall conform to one of these standards

ASME B16.1, Cast Iron Pipe Flanges and Flanged Fittings

ASME B16.4, Cast Iron Threaded Fittings

Material conforming to ASTM A 126 may be used subject to all requirements of the particular standard. Such usage is subject also to all the requirements for the use of cast iron given in PG-8.2 and other paragraphs of this Section.

**PG-8.2 Cast Iron**

**PG-8.2.1** Cast iron shall not be used for nozzles or flanges attached directly to the boiler for any pressure or temperature.

**PG-8.2.2** Cast iron as designated in SA-278 may be used for boiler and superheater connections under pressure, such as pipe fittings, water columns, valves and their bonnets, for pressures up to 250 psi (1.7 MPa), provided the steam temperature does not exceed 450°F (230°C). (10)

**PG-8.3 Cast Nodular Iron.** Cast nodular iron as designated in SA-395 may be used for boiler and superheater connections under pressure, such as pipe fittings, water columns, and valves and their bonnets, for pressures not to exceed 350 psi (2.5 MPa), provided the steam temperature does not exceed 450°F (230°C).

**PG-8.4 Nonferrous.** Bronze castings shall conform to SB-61, SB-62, and SB-148, and may be used only for the following:

**PG-8.4.1** For flanges and flanged or threaded fittings complying with the pressure and temperature requirements of ASME B16.15 or B16.24, except that such fittings shall not be used where steel or other material is specifically

required. Threaded fittings shall not be used where flanged types are specified.

- (10) **PG-8.4.1.1** For valves at allowable stress values not to exceed those given in Table 1B of Section II, Part D, with maximum allowable temperatures of 550°F (290°C) for SB-61 and SB-148, and 406°F (208°C) for SB-62.
- (10) **PG-8.4.1.2** For parts of pressure relief valves subject to limitations of PG-67.7.

## **PG-9 PIPES, TUBES, AND PRESSURE-CONTAINING PARTS**

Pipes, tubes, and pressure-containing parts used in boilers shall conform to one of the specifications listed in this paragraph for which maximum allowable stresses are given in Tables 1A and 1B of Section II, Part D. The stress values given in these tables include the applicable joint efficiency factor for welded pipes and tubes.

Open-hearth, electric furnace, or basic oxygen steel shall be used for boiler pressure parts exposed to the fire or products of combustion. When used for internal pressure, the material stress and dimensions shall meet the appropriate requirements of PG-27 and Part PW and be in accordance with the following:

- (10) **PG-9.1** Boiler parts shall be of the following specifications only:
- SA-53 Welded and Seamless Steel Pipe (excluding galvanized)
- SA-105 Forgings, Carbon Steel, for Piping Components
- SA-106 Seamless Carbon Steel Pipe for High-Temperature Service
- SA-178 Electric-Resistance-Welded Carbon Steel Boiler Tubes
- SA-181 Forged or Rolled Steel Pipe Flanges, Forged Fittings, and Valves and Parts for General Service
- SA-182 Forged or Rolled Alloy-Steel Pipe Flanges, Forged Fittings, and Valves and Parts for High-Temperature Service (ferritic only)
- SA-192 Seamless Carbon Steel Boiler Tubes for High Pressure Service
- SA-209 Seamless Carbon-Molybdenum Alloy-Steel Boiler and Superheater Tubes
- SA-210 Seamless Medium Carbon Steel Boiler and Superheater Tubes
- SA-213 Seamless Ferritic and Austenitic Alloy-Steel Boiler, Superheater and Heat Exchanger Tubes (ferritic only)
- SA-216 Carbon Steel Castings Suitable for Fusion Welding for High-Temperature Service
- SA-217 Alloy-Steel Castings for Pressure-Containing Parts Suitable for High-Temperature Service

- SA-234 Piping Fittings of Wrought Carbon Steel and Alloy Steel for Moderate and Elevated Temperatures
- SA-250 Electric-Resistance-Welded Ferritic Alloy-Steel Boiler and Superheater Tubes
- SA-266 Carbon Steel Seamless Drum Forgings
- SA-268 Seamless and Welded Ferritic Stainless Steel Tubing for General Service
- SA-333 Seamless and Welded Carbon and Alloy Steel Pipe for Low-Temperature Service
- SA-335 Seamless Ferritic Alloy Steel Pipe for High-Temperature Service
- SA-336 Alloy Steel Seamless Drum Forgings (ferritic only)
- SA-423 Seamless and Electric Welded Low Alloy Steel Tubes
- SA-660 Centrifugally Cast Carbon Steel Pipe for High-Temperature Service
- SA-731 Seamless, Welded Ferritic, and Martensitic Stainless Steel Pipe
- SA/EN 10216-2 Seamless Steel Tubes for Pressure Purposes — Part 2: Technical Delivery Conditions for Non-Alloy and Alloy Steel Tubes With Specified Elevated Temperature Properties
- SA/EN 10222-2 Steel Forgings for Pressure Purposes — Part 2: Ferritic and Martensitic Steels With Specified Elevated Temperature Properties

**PG-9.1.1** Boiler parts on once-through boilers shall be any of the specifications listed in PG-9.1 or any of the following:<sup>2</sup>

- SB-407 Nickel-Iron-Chromium Alloy Seamless Pipe and Tube
- SB-408 Nickel-Iron-Chromium Alloy Rod and Bar
- SB-409 Nickel-Iron-Chromium Alloy Plate, Sheet, and Strip
- SB-423 Nickel-Iron-Chromium-Molybdenum Seamless Pipe and Tube
- SB-424 Nickel-Iron-Chromium-Molybdenum-Copper Alloy Plate, Sheet, and Strip
- SB-425 Nickel-Iron-Chromium-Molybdenum-Copper Alloy Rod and Bar
- SB-515 Welded Nickel-Iron-Chromium Alloy Tubes
- SB-564 Nickel Alloy Forgings

**PG-9.1.2** Materials for use in connector piping or tubing and the pressure chamber for remote water level-sensing devices, as referenced in PG-12.2, shall be one of the specifications listed in PG-9.1 or one of the following:

- SA-213 Seamless Ferritic, Austenitic, and Alloy Steel Boiler, Superheater, and Heat Exchanger Tubes

<sup>2</sup> The maximum recommended feedwater-dissolved solids concentration for once-through boilers is 0.050 ppm.

- SA-312 Seamless and Welded Austenitic Stainless Steel Pipe
- SB-163 Seamless Nickel and Nickel Alloy Condenser and Heat Exchanger Tubes
- SB-167 Nickel-Chromium-Iron Alloys and Nickel-Chromium-Cobalt Molybdenum Alloy Seamless Pipe and Tube
- SB-407 Nickel-Chromium-Iron Alloy Seamless Pipe and Tube
- SB-423 Nickel-Iron-Chromium-Molybdenum Seamless Pipe and Tube
- SB-515 Welded Nickel-Iron-Chromium Alloy Tubes
- SB-516 Welded Nickel-Chromium-Iron Alloy Tubes
- SB-517 Welded Nickel-Chromium-Iron Alloy Pipe
- SB-619 Welded Nickel and Nickel-Cobalt Alloy Pipe
- SB-622 Seamless Nickel and Nickel-Cobalt Alloy Pipe
- SB-626 Welded Nickel and Nickel-Cobalt Alloy Tube
- (10) **PG-9.2** Superheater parts shall be of any one of the specifications listed in PG-9.1, PG-9.1.1, or one of the following:
- SA-182 Forged or Rolled Alloy-Steel Pipe Flanges, Forged Fittings, and Valves and Plates for High-Temperature Service
- SA-213 Seamless Ferritic and Austenitic Alloy Steel Boiler, Superheater and Heat Exchanger Tubes
- SA-240 Stainless and Heat-Resisting Chromium and Chromium-Nickel Steel Plates, Sheet and Strip for Fusion-Welded Unfired Pressure Vessels
- SA-249 Welded Austenitic Steel Boiler, Superheater, Heat Exchanger, and Condenser Tubes
- SA-312 Seamless and Welded Austenitic Stainless Steel Pipe
- SA-351 Ferritic and Austenitic Steel Castings for High-Temperature Service
- SA-369 Ferritic Alloy Steel Forged and Bored Pipe for High-Temperature Service
- SA-376 Seamless Austenitic Steel Pipe for High-Temperature Central-Station Service
- SA-479 Stainless and Heat-Resisting Steel Bars and Shapes for Use in Boilers and Other Pressure Vessels
- SA-965 Alloy Steel Seamless Drum Forgings
- SA/JIS G 4303 Specification for Stainless Steel Bars
- SB-163 Seamless Nickel and Nickel Alloy Condenser and Heat Exchanger Tubes
- SB-166 Nickel-Chromium Iron Alloys and Nickel-Chromium-Cobalt-Molybdenum Alloy Rod, Bar, and Wire
- SB-167 Nickel-Chromium Iron Alloys and Nickel-Chromium-Cobalt-Molybdenum Alloy Seamless Pipe and Tube
- SB-168 Nickel-Chromium Iron Alloys and Nickel-Chromium-Cobalt-Molybdenum Alloy Plate, Sheet, and Strip
- SB-366 Factory-Made Wrought Nickel and Nickel Alloy Fittings
- SB-435 N06230 Plate, Sheet, and Strip
- SB-443 Nickel-Chromium-Molybdenum-Columbium Alloy Plate, Sheet, and Strip
- SB-444 Nickel-Chromium-Molybdenum-Columbium Alloy Pipe and Tube
- SB-446 Nickel-Chromium-Molybdenum-Columbium Alloy Rod and Bar
- SB-462 Forged or Rolled Nickel Alloy Pipe Flanges, Forged Fittings, and Valves and Parts for Corrosive, High-Temperature Service
- SB-511 Nickel-Iron-Chromium-Silicon Alloy Bars and Shapes
- SB-516 Welded Nickel-Chromium-Iron Alloy Tubes
- SB-517 Welded Nickel-Chromium-Iron Alloy Pipe
- SB-535 Nickel-Iron-Chromium-Silicon Alloys Seamless Pipe and Tube
- SB-536 Nickel-Iron-Chromium-Silicon Alloys Plate, Sheet, and Strip
- SB-572 Nickel-Molybdenum-Chromium-Iron Alloy Rod
- SB-574 Low-Carbon Nickel-Molybdenum-Chromium, Low-Carbon Nickel-Chromium-Molybdenum, Low-Carbon Nickel-Molybdenum-Chromium-Tantalum, Low-Carbon Nickel-Chromium-Molybdenum-Copper, and Low-Carbon Nickel-Chromium-Molybdenum-Tungsten Alloy Rod
- SB-575 Low-Carbon Nickel-Molybdenum-Chromium, Low-Carbon Nickel-Chromium-Molybdenum, Low-Carbon Nickel-Chromium-Molybdenum-Copper, Low-Carbon Nickel-Chromium-Molybdenum-Tantalum, and Low-Carbon Nickel-Chromium-Molybdenum-Tungsten Alloy Plate, Sheet, and Strip
- SB-619 Welded Nickel and Nickel-Cobalt Alloy Pipe
- SB-622 Seamless Nickel and Nickel-Cobalt Alloy Pipe and Tube
- SB-626 Welded Nickel and Nickel-Cobalt Alloy Tube
- PG-9.3** Copper or copper alloy pipe or tubes shall not be used in the boiler proper for any service where the temperature exceeds 406°F (208°C). Copper and copper alloys shall be seamless, having a thickness not less than ASME Schedule 40 standard pipe, and shall comply to one of the following specifications: SB-42, Seamless Copper Pipe, Standard Sizes; SB-43, Seamless Red Brass Pipe, Standard Sizes; SB-75, Seamless Copper Tube; or SB-111, Copper and Copper-Alloy Seamless Condenser Tubes and Ferrule Stock.
- PG-9.4** Bimetallic tubes, having a core of an acceptable boiler and superheater material, and having an external cladding of another metal alloy, may be used provided the requirements of PG-27.2.1.5 are met. In applying the rules of PG-27.2.1, tubes that are diffusion coated shall not be

permitted to include the strength of the clad. The permissible variation in wall thickness tolerance of SA-450 or SB-163, as applicable, shall apply to the total wall thickness. The thickness and over and undertolerances of the cladding shall be included in the ordering information. Marking of the bimetallic tubular product shall meet the specification requirements of the core material, but shall also suitably identify the cladding alloy.

**PG-9.5** ERW products shall be limited to a maximum thickness of  $\frac{1}{2}$  in. (13 mm) for internal pressure applications. For external pressure applications, ERW products shall be limited to a maximum thickness of  $\frac{1}{2}$  in. (13 mm) and a maximum size of NPS 24 (DN 600). The thickness and diameter limitations noted above shall be within tolerances stated by the product material specification.

**PG-9.6** In addition to other materials permitted by this Section, instrument wells may be fabricated from one of the following titanium alloys:

- (a) SB-265, titanium and titanium alloy strip, sheet, and plate
- (b) SB-338, seamless and welded titanium and titanium alloy tubes for condensers and heat exchangers
- (c) SB-348, titanium and titanium alloy bars and billets
- (d) SB-861, titanium and titanium alloy seamless pipe
- (e) SB-862, titanium and titanium alloy welded pipe

**PG-9.7** In addition to other materials permitted by this Section, the following materials are permitted only for use in economizers or feedwater heaters and associated piping:

- (a) SA-182, Forged or Rolled Alloy-Steel Pipe Flanges, Forged Fittings, and Valves and Parts for High-Temperature Pressure Service (S31803 only)
- (b) SA-240, Pressure Vessel Plate, Alloy Steel (Ferritic Stainless), Chromium (S31803 only)
- (c) SA-479, Stainless Steel Bars and Shapes (S31803 only)
- (d) SA-789, Seamless and Welded Ferritic Austenitic Stainless Steel Tubing (S31803 only)
- (e) SA-790, Seamless and Welded Ferritic Austenitic Stainless Steel Pipe (S31803 only)
- (f) SA-815, Wrought Ferritic, Ferritic Austenitic, and Martensitic Stainless Steel Piping Fittings (S31803 only)

**PG-10 MATERIAL IDENTIFIED WITH OR PRODUCED TO A SPECIFICATION NOT PERMITTED BY THIS SECTION, AND MATERIAL NOT FULLY IDENTIFIED**

**PG-10.1 Identified With Complete Certification From the Material Manufacturer.** Material identified with a specification not permitted by this Section, or material procured to chemical composition requirements and

identified to a single production lot as required by a permitted specification may be accepted as satisfying the requirements of a specification permitted by this Section provided the conditions set forth in PG-10.1.1 or PG-10.1.2 are satisfied.

**PG-10.1.1** Recertification by an organization other than the boiler or part manufacturer:

**PG-10.1.1.1** All requirements, including but not limited to, melting method, melting practice, deoxidation, quality, and heat treatment, of the specification permitted by this Section, to which the material is to be recertified, have been demonstrated to have been met.

**PG-10.1.1.2** A copy of the certification by the material manufacturer of the chemical analysis required by the permitted specification, with documentation showing the requirements to which the material was produced and purchased, and which demonstrates that there is no conflict with the requirements of the permitted specification, has been furnished to the boiler or part manufacturer.

**PG-10.1.1.3** A certification that the material was manufactured and tested in accordance with the requirements of the specification to which the material is recertified, excluding the specific marking requirements, has been furnished to the boiler or part manufacturer, together with copies of all documents and test reports pertinent to the demonstration of conformance to the requirements of the permitted specification.

**PG-10.1.1.4** The material, and the Certificate of Compliance or the Material Test Report have been identified with the designation of the specification to which the material is recertified and with the notation "Certified per PG-10."

**PG-10.1.2** Recertification by the boiler or part manufacturer.

**PG-10.1.2.1** A copy of the certification by the material manufacturer of the chemical analysis required by the permitted specification, with documentation showing the requirements to which the material was produced and purchased, which demonstrates that there is no conflict with the requirements of the permitted specification, is available to the Inspector.

**PG-10.1.2.2** For applications in which the maximum allowable stresses are subject to a note of Table 1A of Section II, Part D, requiring the use of killed steel, documentation is available to the Inspector that establishes that the material is a killed steel.

**PG-10.1.2.3** Documentation is available to the Inspector that demonstrates that the metallurgical structure, mechanical property, and hardness requirements of the permitted specification have been met.

**PG-10.1.2.4** For material recertified to a permitted specification that requires a fine austenitic grain size or that



requires that a fine grain practice be used during melting, documentation is available to the Inspector that demonstrates that the heat treatment requirements of the permitted specification have been met, or will be met during fabrication.

**PG-10.1.2.5** The material has marking, acceptable to the Inspector, for identification to the documentation.

**PG-10.1.2.6** When the conformance of the material with the permitted specification has been established, the material has been marked as required by the permitted specification.

**PG-10.2 Material Identified to a Particular Production Lot as Required by a Specification Permitted by This Section but That Cannot Be Qualified Under PG-10.1.** Any material identified to a particular production lot as required by a specification permitted by this Section, but for which the documentation required in PG-10.1 is not available, may be accepted as satisfying the requirements of the specification permitted by this Section provided that the conditions set forth below are satisfied.

**PG-10.2.1** Recertification by an organization other than the boiler or part manufacturer — not permitted.

**PG-10.2.2** Recertification by the boiler or part manufacturer.

**PG-10.2.2.1** Chemical analyses are made on different pieces from the lot to establish a mean analysis which is to be accepted as representative of the lot. The pieces chosen for analyses shall be selected at random from the lot. The number of pieces selected shall be at least 10% of the number of pieces in the lot, but not less than three. For lots of three pieces or less, each piece shall be analyzed. Each individual analysis in the permitted specification and the mean for each element shall conform to the heat analysis limits of that specification. Analyses need to be made for only those elements required by the permitted specification. However, consideration should be given to making analyses for elements not specified in the specification but which would be deleterious if present in excessive amounts.

**PG-10.2.2.2** Mechanical property tests are made in accordance with the requirements of the permitted specification and the results of the tests conform to the specified requirements.

**PG-10.2.2.3** For applications in which the maximum allowable stresses are subject to a note of Table 1A of Section II, Part D, requiring the use of killed steel, documentation is available to the Inspector which establishes that the material is a killed steel.

**PG-10.2.2.4** When the requirements of the permitted specification include metallurgical structure requirements (i.e., fine austenitic grain size), tests are made and

the results are sufficient to establish that those requirements of the specification have been met.

**PG-10.2.2.5** When the requirements of the permitted specification include heat treatment, the material is heat treated in accordance with those requirements, either prior to or during fabrication.

**PG-10.2.2.6** When the conformance of the material with the permitted specification has been established, the material has been marked as required by the permitted specification.

**PG-10.3 Material Not Fully Identified.** Material which cannot be qualified under the provisions of either PG-10.1 or PG-10.2, such as material not fully identified as required by the permitted specification or as unidentified material, may be accepted as satisfying the requirements of a specification permitted by this Section provided that the conditions set forth below are satisfied.

**PG-10.3.1** Qualification by an organization other than the boiler or part manufacturer — not permitted.

**PG-10.3.2** Qualification by the boiler or part manufacturer.

**PG-10.3.2.1** Each piece is tested to show that it meets the chemical composition for product analysis and the mechanical properties requirements of the permitted specification. Chemical analyses need only be made for those elements required by the permitted specification. However, consideration shall be given to making analyses for elements not specified in the specification but which would be deleterious if present in excessive amounts. For plates, when the direction of final rolling is not known, both a transverse and a longitudinal tension test specimen shall be taken from each sampling location designated in the permitted specification. The results of both tests shall conform to the minimum requirements of the specification, but the tensile strength of only one of the two specimens need conform to the maximum requirement.

**PG-10.3.2.2** The provisions of PG-10.2.2.3, PG-10.2.2.4, and PG-10.2.2.5 are met.

**PG-10.3.2.3** When the identity of the material with the permitted specification has been established in accordance with PG-10.3.2.1 and PG-10.3.2.2, each piece (or bundle, etc., if permitted in the specification) is marked with a marking giving the permitted specification number and grade, type, or class as applicable and a serial number identifying the particular lot of material. A suitable report, clearly marked as being a "Report on Tests of Nonidentified Material," shall be completed and certified by the boiler or part manufacturer. This report, when accepted by the Inspector, shall constitute authority to use the material in lieu of material procured to the requirements of the permitted specification.

**PG-11 MISCELLANEOUS PRESSURE PARTS**

Prefabricated or preformed pressure parts for boilers which are subject to allowable working stresses due to internal or external pressure in the boiler and which are furnished by other than the shop of the Manufacturer responsible for the completed boiler shall conform to all applicable requirements of the Code for the completed boiler, including inspection in the shop of the parts manufacturer and the furnishing of Manufacturer's Partial Data Reports as provided for in PG-112.2.4 except as permitted in PG-11.1, PG-11.2, and PG-11.3.

**PG-11.1 Cast, Forged, Rolled, or Die-Formed Standard Pressure Parts**

**PG-11.1.1** Pressure parts such as pipe fittings, valves, flanges, nozzles, welding necks, welding caps, man-hole frames and covers, and casings of pumps that are part of a boiler circulating system that are wholly formed by casting, forging, rolling, or die forming shall not require inspection, mill test reports, or Partial Data Reports. Standard pressure parts that comply with some ASME Standard<sup>3</sup> shall be made of materials permitted by this Section or of materials specifically listed in an ASME product standard listed elsewhere in this Section but not of materials specifically prohibited or beyond use limitations listed in this Section. Standard pressure parts that comply with a manufacturer's standard<sup>4,5</sup> shall be made of materials permitted by this Section. Such parts shall be marked with the name or trademark of the parts manufacturer and such other markings as are required by the standard. Such markings shall be considered as the parts manufacturer's certification that the product complies with the material specifications and standards indicated and is suitable for service at the rating indicated. The intent of the paragraph will have been met if, in lieu of the detailed marking on the part itself, the parts described herein have been marked in any permanent or temporary manner that will serve to identify the part with the parts manufacturer's written listing of the particular items and such listings are available for examination by the Inspector.

**PG-11.1.2** Parts of small size falling within this category for which it is difficult or impossible to obtain identified material or that may be stocked and for which mill test reports or certificates cannot be economically obtained

<sup>3</sup> These are pressure parts that comply with some ASME product standard accepted by reference in PG-42. The ASME product standard establishes the basis for the pressure-temperature rating and marking.

<sup>4</sup> These are pressure parts that comply with a parts manufacturer's standard that defines the pressure-temperature rating marked on the part and described in the parts manufacturer's literature. The Manufacturer of the completed vessel shall satisfy himself that the part is suitable for the design conditions of the completed vessel.

<sup>5</sup> Pressure parts may be in accordance with an ASME product standard not covered by footnote 4, but such parts shall satisfy the requirements applicable to a parts manufacturer's standard and footnote 6.

and are not customarily furnished, and that do not appreciably affect the safety of the vessel, may be used for relatively unimportant part or parts stressed to not more than 50% of the stress value permitted by this Section, and listed in Tables 1A and 1B of Section II, Part D, provided they are suitable for the purpose intended and meet the approval of the Inspector. The Manufacturer of the completed vessel shall satisfy himself that the part is suitable for the design conditions specified for the completed vessel.

**PG-11.2 Cast, Forged, Rolled, or Die-Formed Non-standard Pressure Parts.** Pressure parts such as shells, heads, removable and access opening cover plates, that are wholly formed by casting, forging, rolling, or die forming, may be supplied basically as materials. All such parts shall be made of materials permitted under this Section, and the manufacturer of the part shall furnish mill test reports or other acceptable evidence to that effect. Such parts shall be marked with the name or trademark of the parts manufacturer and with such other markings as will serve to identify the particular parts with accompanying material identification. The Manufacturer of the completed boiler shall satisfy himself that the part is suitable for the design conditions specified for the completed boiler.

**PG-11.3 Welded Standard Pressure Parts for Use Other Than the Shell of a Vessel.**<sup>6</sup> Pressure parts such as welded standard pipe fittings, caps, valves, and flanges that are fabricated by one of the welding processes recognized by this Section shall not require inspection, mill test reports, or Manufacturers' Partial Data Reports provided.<sup>7</sup>

**PG-11.3.1** Standard pressure parts that comply with some ASME product standard<sup>4</sup> shall be made of materials permitted by this Section or of materials specifically listed in an ASME product standard accepted and listed elsewhere in this Section but not of materials specifically prohibited or beyond use limitations listed in this Section. Standard pressure parts that comply with a manufacturer's standard<sup>4,5</sup> shall be made of materials permitted by this Section.

**PG-11.3.2** Welding for pressure parts that comply with a manufacturer's standard<sup>4,5</sup> shall comply with the requirements of PW-26 through PW-39. Welding for pressure parts that comply with some ASME product standard<sup>3</sup> shall comply with the requirements of PW-26 through PW-39 or, as a minimum, may comply with the welding requirements of SA-234. Markings where applicable, or certification by the parts manufacturer where markings are not applicable shall be accepted as evidence of compliance with the above welding requirements. Such parts shall be marked as required by PG-11.1.1.

<sup>6</sup> Fusion-welded pipe, with added filler metal, for use as the shell of the vessel shall be subject to the same requirements as a shell fabricated from plate, including inspection at the point of manufacture and Manufacturers' Partial Data Reports.

<sup>7</sup> For requirements for welded water columns, see PW-42.

- (10) **PG-11.3.3** If volumetric examination or heat treatment is required by the applicable rules of this Section, it may be performed either in the plant of the parts manufacturer or in the plant of the Manufacturer of the completed vessel.

If the volumetric examination is done under the control of the parts manufacturer, the reports shall be forwarded to the vessel manufacturer. Whenever radiography is used, a properly identified set of radiographs shall also be forwarded. All examination reports and radiographs shall be available to the Authorized Inspector.

**PG-11.3.4** If heat treatment is performed at the plant of the parts manufacturer, certification by the parts manufacturer that such treatment was performed shall be accepted as evidence of compliance with applicable Code paragraphs. This certification shall be available to the Authorized Inspector. The Manufacturer of the completed vessel shall satisfy himself that the part is suitable for the design conditions specified for the completed vessel.

**PG-12 WATER LEVEL INDICATORS AND CONNECTOR MATERIAL**

**PG-12.1** Gage glass body and connector materials shall comply with a Manufacturer's standard that defines the pressure-temperature rating marked on the unit. The materials used may include austenitic stainless steels and nickel-based alloys (see PG-5.5, footnote 1).

**PG-12.2** Boilers having a maximum allowable working pressure not exceeding 900 psi (6 MPa) may use alternative methods for independent remote water level indicators or water level-sensing devices (see PG-60 for requirements for water level indicators and water columns). The sensing devices may include a magnetically coupled float inside a nonmagnetic cylindrical pressure chamber to utilize through-the-wall sensing of float position. The pressure chamber stresses and dimensions shall meet the appropriate requirements of PG-27 and Part PW, shall comply with one of the specifications in PG-9.1.2, and shall be restricted to the material grades listed in PG-12.3.

**PG-12.3** Connector material and the pressure chamber material of the remote water level indicator or water level-sensing devices, except for water columns, may include austenitic stainless steels and nickel-based alloys. The material shall be in the solution-annealed heat treatment condition. If filler metals are used in welding of the austenitic stainless steels, they shall be limited to low-carbon content.

The material shall be one of the grades from the following list:

Grade	UNS Number
304L	S30403
316L	S31603
800	N08800
20-Cb3	N08020
825	N08825
C-276	N10276
C-22	N06022
690	N06690
59	N06059
625	N06625
600	N06600

The allowable stresses shall be those listed in Section II, Part D, Table 1A or 1B for Section I. If allowable stresses are not listed for Section I but are listed for Section VIII, Div. 1, the allowable stresses for Section VIII, Div. 1 may be utilized. When two lines of stresses are listed in Section II, Part D, the design shall be based on the lower allowable stresses.

**PG-13 STAYS**

Threaded stays shall be of steel complying with SA-36 or SA-675.

Seamless steel tubes for threaded stays shall comply with SA-192 or SA-210.

Staybolts, stays, through-rods, or stays with ends for attachment by fusion welding shall comply with SA-36 or SA-675.

**PG-14 RIVETS**

**PG-14.1** Rivets shall conform to SA-31, Specification for Steel Rivets and Bars for Rivets, Pressure Vessels.

**PG-14.1.1** In lieu of SA-31, it is permissible to substitute bar which is converted to rivets from SA-36, Specification for Carbon Structure Steel, under the conditions specified in PG-14.1.1.1 and PG-14.1.1.2.

**PG-14.1.1.1** In addition to compliance with SA-36, the bar shall comply with

- (a) the "rivet bend tests" for SA-31 Grade B, para. 6.1.2
- (b) the "rivet flattening tests" for SA-31 Grades A and B, para. 6.2
- (c) the "bar bend tests" for SA-31 Grade B, para. 6.4.2

**PG-14.1.1.2** The following paragraphs of SA-31 shall be applicable to the additional mechanical properties tests:

- (a) paragraph 9, Number of Tests and Retests
- (b) paragraph 10, Specimen Preparation
- (c) paragraph 11, Test Methods
- (d) paragraph 12, Inspection
- (e) paragraph 13, Rejection and Reheating

**PG-14.1.2** When rivets made from SA-36 bar are substituted for those made from SA-31, the design stresses for SA-31 Grade B shall apply.

**PG-14.2** In computing the ultimate strength of rivets in shear, the following shear stresses in ksi (MPa) of the cross-sectional area of the rivet shank shall be used:

(a) Steel rivets, SA-31 Grade A, in single shear, 44.0 (305)

(b) Steel rivets, SA-31 Grade A, in double shear, 88.0 (605)

(c) Steel rivets, SA-31 Grade B, in single shear, 52.0 (360)

(d) Steel rivets, SA-31 Grade B, in double shear, 104.0 (715)

The cross-sectional area used in the computations shall be that of the rivet after driving.

## DESIGN

### PG-16 GENERAL

**PG-16.1** The design of power boilers, high-temperature water boilers, and other pressure parts included within the scope of these rules shall conform to the general design requirements in the following paragraphs and in addition to the specific requirements for design given in the applicable Parts of this Section that pertain to the methods of construction used. This Section does not contain rules to cover all possible details of design. When detailed rules are not given, it is intended that the Manufacturer, subject to the acceptance of the Inspector, shall provide details of design that will be as safe as those provided by the rules of this Section. This may be done by appropriate analytical methods, the appropriate use of rules from other design codes or, as permitted by PG-18, by proof test.

**PG-16.2** When the pressure parts of a forced-flow steam generator with no fixed steam and waterline are designed for different pressure levels as permitted in PG-21.2, the owner shall provide or cause to be provided a boiler pressure system design diagram, certified by a Professional Engineer experienced in the mechanical design of power plants, which supplies the following information.

**PG-16.2.1** The relative location of the various pressure parts within the scope of Section I, with respect to the path of water-steam flow.

**PG-16.2.2** A line showing the expected maximum sustained pressure as described in PG-21.2, indicating the expected variation in pressure along the path of water-steam flow.

**PG-16.2.3** The maximum allowable working pressure of the various pressure parts.

**PG-16.2.4** The location and set pressure of the over-pressure protection devices.

Copy of this diagram shall be attached to the Master Data Report per PG-113.

**PG-16.3 Minimum Thicknesses.** The minimum thickness of any boiler plate under pressure shall be  $\frac{1}{4}$  in. (6 mm) except for electric boilers constructed under the rules of Part PEB. The minimum thickness of plates to which stays may be applied in other than cylindrical outer shell plates shall be  $\frac{5}{16}$  in. (8 mm). When pipe over NPS 5 (DN 125) is used in lieu of plate for the shell of cylindrical components under pressure, its minimum wall shall be  $\frac{1}{4}$  in. (6 mm).

**PG-16.4 Undertolerance on Plates.** Plate material that is not more than 0.01 in. (0.3 mm) thinner than that calculated from the formula may be used in Code constructions provided the material specification permits such plate to be furnished not more than 0.01 in. (0.3 mm) thinner than ordered.

**PG-16.5 Undertolerance on Pipe and Tubes.** Pipe or tube material shall not be ordered thinner than that calculated from the applicable formula of this Section. The ordered material shall include provision for the allowed manufacturing undertolerance as given in Section II in the applicable pipe or tube specification.

### PG-17 FABRICATION BY A COMBINATION OF METHODS

A boiler and parts thereof may be designed and fabricated by a combination of the methods of fabrication given in this Section, provided the rules applying to the respective methods of fabrication are followed and the boiler is limited to the service permitted by the method of fabrication having the most restrictive requirements.

### PG-18 DESIGN VALIDATION BY PROOF TEST

Where no rules are given for calculating the strength of a boiler or any part thereof, the Manufacturer may establish MAWP by testing a full-size sample in accordance with A-22, Proof Test to Establish Maximum Allowable Working Pressure.

### PG-19 COLD FORMING OF AUSTENITIC MATERIALS<sup>8</sup> (10)

The cold-formed areas of pressure-retaining components manufactured of austenitic alloys shall be heat treated for

<sup>8</sup> See Section II, Part D, Appendix A, para. A-370, for background on the rules in PG-19.

20 min per inch of thickness or for 10 min, whichever is greater, at the temperatures given in Table PG-19 under the following conditions:

(a) the finishing-forming temperature is below the minimum heat-treating temperature given in Table PG-19

(b) the design metal temperature and the forming strains exceed the limits shown in Table PG-19.

Forming strains shall be calculated as follows:

(1) Cylinders formed from plate

$$\%Strain = \frac{50t}{R_f} \left( 1 - \frac{R_f}{R_o} \right)$$

(2) Spherical or dished heads formed from plate

$$\%Strain = \frac{75t}{R_f} \left( 1 - \frac{R_f}{R_o} \right)$$

(3) Tube and pipe bends

$$\%Strain = \frac{100r}{R}$$

where

$R$  = nominal bending radius to centerline of pipe or tube

$R_f$  = mean radius after forming

$R_o$  = original mean radius (equal to infinity for a flat plate)

$r$  = nominal outside radius of pipe or tube

$t$  = nominal thickness of the plate, pipe, or tube before forming

**PG-19.1** When the forming strains cannot be calculated as shown in PG-19, the manufacturer shall have the responsibility to determine the maximum forming strain.

**PG-19.2** For flares, swages, or upsets, heat treatment in accordance with Table PG-19 shall apply, regardless of the amount of strain.

(10) **PG-20 COLD FORMING OF CREEP STRENGTH ENHANCED FERRITIC STEELS**

The cold-formed areas of pressure-retaining components manufactured of creep strength enhanced ferritic alloys shall be heat treated as listed in Table PG-20. Cold forming is defined as any method that is performed at a temperature below 1,300°F (705°C) and produces strain in the material. The calculations of cold strains shall be made in accordance with PG-19.

**PG-21 MAXIMUM ALLOWABLE WORKING PRESSURE**

The maximum allowable working pressure is the pressure determined by employing the allowable stress values,

design rules, and dimensions designated in this Section.

Whenever the term maximum allowable working pressure is used in this Section of the Code, it refers to gage pressure, or the pressure above atmosphere.

**PG-21.1** No boiler, except a forced-flow steam generator with no fixed steam and water line that meets the special provisions of PG-67, shall be operated at a pressure higher than the maximum allowable working pressure except when the pressure relief valve or valves are discharging, at which time the maximum allowable working pressure shall not be exceeded by more than 6%.

**PG-21.2** In a forced-flow steam generator with no fixed steam and waterline it is permissible to design the pressure parts for different pressure levels along the path of water-steam flow. The maximum allowable working pressure of any part shall be not less than that required by the rules of Part PG for the expected maximum sustained conditions<sup>9</sup> of pressure and temperature to which that part is subjected except when one or more of the overpressure protection devices covered by PG-67.4 is in operation.

**PG-22 LOADINGS**

**PG-22.1** Stresses due to hydrostatic head shall be taken into account in determining the minimum thickness required unless noted otherwise. Additional stresses imposed by effects other than working pressure or static head that increase the average stress by more than 10% of the allowable working stress shall also be taken into account. These effects include the weight of the component and its contents, and the method of support.

**PG-22.2** Loading on structural attachments — refer to PW-43.

**PG-23 STRESS VALUES FOR CALCULATION FORMULAS**

**PG-23.1** The maximum allowable stress values in Tables 1A and 1B of Section II, Part D, are the unit stresses to be used in the formulas of this Section to calculate the minimum required thickness or the maximum allowable working pressure of the pressure part (see Appendix 1 of Section II, Part D).

**PG-23.2** The yield strength values for use in PFT-51 may be found in Table Y-1 of Section II, Part D.

**PG-23.3** With the publication of the 2004 Edition, Section II Part D is published as two separate publications.

<sup>9</sup> "Expected maximum sustained conditions of pressure and temperature" are intended to be selected sufficiently in excess of any expected operating conditions (not necessarily continuous) to permit satisfactory boiler operation without operation of the overpressure protection devices.

(10)

TABLE PG-19  
POST COLD-FORMING STRAIN LIMITS AND HEAT-TREATMENT REQUIREMENTS

Grade	UNS Number	Limitations in Lower Temperature Range					Limitations in Higher Temperature Range			Minimum Heat-Treatment Temperature When Design Temperature and Forming Strain Limits are Exceeded [Notes (1) and (2)]	
		For Design Temperature				And Forming Strains Exceeding	For Design Temperature Exceeding		And Forming Strains Exceeding	°F	°C
		Exceeding		But Less Than or Equal to			°F	°C			
		°F	°C	°F	°C		°F	°C			
304	S30400	1,075	(580)	1,250	(675)	20%	1,250	(675)	10%	1,900	(1 040)
304H	S30409	1,075	(580)	1,250	(675)	20%	1,250	(675)	10%	1,900	(1 040)
304N	S30451	1,075	(580)	1,250	(675)	15%	1,250	(675)	10%	1,900	(1 040)
309S	S30908	1,075	(580)	1,250	(675)	20%	1,250	(675)	10%	2,000	(1 095)
310H	S31009	1,075	(580)	1,250	(675)	20%	1,250	(675)	10%	2,000	(1 095)
310S	S31008	1,075	(580)	1,250	(675)	20%	1,250	(675)	10%	2,000	(1 095)
310HCbN	S31042	1,000	(540)	1,250	(675)	15%	1,250	(675)	10%	2,000	(1 095)
316	S31600	1,075	(580)	1,250	(675)	20%	1,250	(675)	10%	1,900	(1 040)
316H	S31609	1,075	(580)	1,250	(675)	20%	1,250	(675)	10%	1,900	(1 040)
316N	S31651	1,075	(580)	1,250	(675)	15%	1,250	(675)	10%	1,900	(1 040)
321	S32100	1,000	(540)	1,250	(675)	15% [Note (3)]	1,250	(675)	10%	1,900	(1 040)
321H	S32109	1,000	(540)	1,250	(675)	15% [Note (3)]	1,250	(675)	10%	2,000	(1 095)
347	S34700	1,000	(540)	1,250	(675)	15%	1,250	(675)	10%	1,900	(1 040)
347H	S34709	1,000	(540)	1,250	(675)	15%	1,250	(675)	10%	2,000	(1 095)
347HFG	S34710	1,000	(540)	1,250	(675)	15%	1,250	(675)	10%	2,150	(1 175)
348	S34800	1,000	(540)	1,250	(675)	15%	1,250	(675)	10%	1,900	(1 040)
348H	S34809	1,000	(540)	1,250	(675)	15%	1,250	(675)	10%	2,000	(1 175)
230	N06230	1,100	(595)	1,400	(760)	15%	1,400	(760)	10%	2,200	(1 205)
600	N06600	1,075	(580)	1,200	(650)	20%	1,200	(650)	10%	1,900	(1 040)
601	N06601	1,075	(580)	1,200	(650)	20%	1,200	(650)	10%	1,900	(1 040)
617	N06617	1,200	(650)	1,400	(760)	15%	1,400	(760)	10%	2,100	(1 150)
690	N06690	1,075	(580)	1,200	(650)	20%	1,200	(650)	10%	1,900	(1 040)
800	N08800	1,100	(595)	1,250	(675)	15%	1,250	(675)	10%	1,800	(980)
800H	N08810	1,100	(595)	1,250	(675)	15%	1,250	(675)	10%	2,050	(1 120)
...	S30815	1,075	(580)	1,250	(675)	15%	1,250	(675)	10%	1,920	(1 050)
C-22	N06022	1,075	(580)	1,250	(675)	15%	...	...	...	2,050	(1 120)

GENERAL NOTE: The limits shown are for cylinders formed from plates, spherical or dished heads formed from plate, and tube and pipe bends. When the forming strains cannot be calculated as shown in PG-19, the forming strain limits shall be half those tabulated in this Table (see PG-19.1).

## NOTES:

- (1) Rate of cooling from heat-treatment temperature not subject to specific control limits.
- (2) While minimum heat-treatment temperatures are specified, it is recommended that the heat-treatment temperature range be limited to 150°F (85°C) above that minimum [250°F (140°C) temperature range for 347, 347H, 348, and 348H].
- (3) For simple bends of tubes or pipes whose outside diameter is less than 3.5 in. (89 mm), this limit is 20%.

TABLE PG-20  
POST COLD-FORMING STRAIN LIMITS AND HEAT-TREATMENT REQUIREMENTS

Grade	UNS Number	Limitations in Lower Temperature Range					Limitations in Higher Temperature Range			Required Heat-Treatment When Design Temperature and Forming Strain Limits are Exceeded
		For Design Temperature		And Forming Strains	For Design Temperature Exceeding		And Forming Strains			
		Exceeding	But Less Than or Equal to		Exceeding	Exceeding				
°F	°C	°F	°C	°F	°C	°F	°C			
91	K90901	1,000	(540)	1,115	(600)	> 25%	1,115	(600)	> 20%	Normalize and temper [Note (1)]
		1,000	(540)	1,115	(600)	> 5 to ≤ 25%	1,115	(600)	> 5 to ≤ 20%	Post-bend heat treatment [Notes (2)–(4)]
92	K92460	1,000	(540)	1,115	(600)	> 25%	1,115	(600)	> 20%	Normalize and temper [Note (1)]
		1,000	(540)	1,115	(600)	> 5 to ≤ 25%	1,115	(600)	> 5 to ≤ 20%	Post-bend heat treatment [Notes (2)–(4)]

GENERAL NOTE: The limits shown are for cylinders formed from plates, spherical or dished heads formed from plate, and tube and pipe bends. The forming strain limits tabulated in the table shall be divided by two if PG-19.1 is applied. For any material formed at 1,300°F (705°C) or above, and for cold swages, flares, or upsets, normalizing and tempering is required regardless of the amount of strain.

NOTES:

- (1) Normalization and tempering shall be performed in accordance with the requirements in the base material specification, and shall not be performed locally. The material shall either be heat treated in its entirety, or the cold strained area (including the transition to the unstrained portion) shall be cut away from the balance of the tube or component and heat treated separately or replaced.
- (2) Post bend heat treatments shall be performed at 1350°F to 425°F (730°C to 775°C) for 1 hr/in. (1 hr/25 mm) or 30 min minimum. Alternatively, a normalization and temper in accordance with the requirements in the base material specification may be performed.
- (3) For materials with greater than 5% strain but less than or equal to 25% strain with design temperatures less than or equal to 1,115°F (600°C), if a portion of the component is heated above the heat treatment temperature allowed above, one of the following actions shall be performed:
  - (a) The component in its entirety must be renormalized and tempered.
  - (b) The allowable stress shall be that for Grade 9 material (i.e., SA-213 T9, SA-335 P9, or equivalent product specification) at the design temperature, provided that portion of the component that was heated to a temperature exceeding the maximum holding temperature is subjected to a final heat treatment within the temperature range and for the time required in Note (2) above. The use of this provision shall be noted on the Manufacturer’s Data Report.
- (4) If a longitudinal weld is made to a portion of the material that is cold strained, that portion shall be normalized and tempered, prior to or following welding. This normalizing and tempering shall not be performed locally.

One publication contains values only in U.S. Customary units and the other contains values only in SI units. The selection of the version to use is dependent on the set of units selected for analysis.

**PG-25 QUALITY FACTORS FOR STEEL CASTINGS**

A quality factor as specified below shall be applied to the allowable stresses for steel casting materials given in Table 1A of Section II, Part D.

**PG-25.1** A factor not to exceed 80% shall be applied when a casting is inspected only in accordance with the minimum requirements of the specification for the material, except when the special methods of examination prescribed by the selected specification are followed, thus permitting the use of the applicable higher factor in this paragraph.

**PG-25.2** A factor not to exceed 100% shall be applied when the casting meets the requirements of PG-25.2.1 through PG-25.2.4.

**PG-25.2.1** All steel castings 4½ in. (114 mm) nominal body thickness or less, other than steel flanges and fittings complying with ASME B16.5, and valves complying with ASME B16.34, shall be inspected as specified in PG-25.2.1.1 through PG-25.2.1.5.

**PG-25.2.1.1** All critical areas, including the junctions of all gates, risers, and abrupt changes in section or direction and weld-end preparations, shall be radiographed in accordance with Article 2 of Section V, and the radiographs shall conform to the requirements of ASTM E 446, Standard Reference Radiographs for Steel Castings Up to 2 in. (51 mm) in Thickness, or ASTM E 186, Standard Reference Radiographs for Heavy Walled [2 in. to 4½ in. (51 mm to 114 mm)] Steel Castings, depending upon the

section thickness. The maximum acceptable severity level for 100% quality factor shall be

For ASTM E 446 [castings up to 2 in. (51 mm) thickness]

Imperfection Category	Severity Level	
	Up to and Including 1 in. (25 mm) Thick	Greater Than 1 in. (25 mm) Thick
A	1	2
B	2	3
C Types 1, 2, 3, and 4	1	3
D, E, F, and G	None acceptable	None acceptable

For ASTM E 186 [castings 2 in. to 4½ in. (51 mm to 114 mm) thickness]

Imperfection Category	Severity Level
A and B, Types 1 and 2 of C	2
Type 3 of C	3
D, E, and F	None acceptable

**PG-25.2.1.2** All surfaces of each casting, including machined gasket seating surfaces, shall be examined after heat treatment by the magnetic particle method in accordance with PG-25.2.1.2.1 or by the liquid penetrant method in accordance with PG-25.2.1.2.2.

**PG-25.2.1.2.1** The technique for magnetic particle examination shall be in accordance with Article 7 of Section V. Imperfections causing magnetic particle indications exceeding degree 1 of Type I, degree 2 of Type II, and degree 3 of Type III, and exceeding degree 1 of Types IV and V of ASTM E 125, Standard Reference Photographs for Magnetic Particle Indications on Ferrous Castings, are unacceptable.

**PG-25.2.1.2.2** The technique for liquid penetrant examination shall be in accordance with Article 6 of Section V. Surface indications determined by liquid penetrant examination are unacceptable if they exceed the following:

- (a) all cracks and hot tears
- (b) any group of more than six linear indications other than those in (a) in any rectangular area of 1½ in. × 6 in. (38 mm × 150 mm) or less, or any circular area having a diameter of 3½ in. (89 mm) or less, these areas being taken in the most unfavorable location relative to the indications being evaluated
- (c) other linear indications more than ¼ in. (6 mm) long for thicknesses up to ¾ in. (19 mm) inclusive, more than one-third of the thickness in length for thicknesses from ¾ in. to 2¼ in. (19 mm to 57 mm), and more than ¾ in. (19 mm) long for thicknesses over 2¼ in. (57 mm) (Aligned

acceptable indications separated from one another by a distance equal to the length of the longer indication are acceptable.)

(d) all indications of nonlinear imperfections that have any dimension exceeding ⅜ in. (5 mm)

**PG-25.2.1.3** Where more than one casting of a particular design is produced, each of the first five castings shall be inspected as above. Where more than five castings are being produced, the examination shall be performed on the first five plus one additional casting to represent each five additional castings. If this additional casting proves to be unacceptable, each of the remaining castings in the group shall be inspected.

**PG-25.2.1.4** Any indications in excess of the maximum permitted in PG-25.2.1.1 and PG-25.2.1.2 shall be cause for rejection unless the casting is repaired by welding after the base metal has been inspected to ensure that the imperfection has been removed or reduced to an acceptable size. The completed repair shall be subject to reinspection by the same method as was used in the original inspection and the repaired casting shall be postweld heat treated.

**PG-25.2.1.5** All welding shall be performed using welding procedures qualified in accordance with Section IX. The procedure qualification shall be performed on test specimens of cast material of the same specification and subjected to the same heat treatment before and after welding as will be applied to the work. All welders and operators performing this welding shall also be qualified in accordance with Section IX.

**PG-25.2.2** All steel castings having a body greater than 4½ in. (114 mm) nominal thickness shall be inspected as specified in PG-25.2.2.1 through PG-25.2.2.6.

**PG-25.2.2.1** All surfaces of each casting, including machined gasket seating surfaces, shall be examined after heat treatment by the magnetic particle method in accordance with PG-25.2.1.2.1 or liquid penetrant method in accordance with PG-25.2.1.2.2.

**PG-25.2.2.2** All parts of castings shall be subjected to complete radiographic inspection in accordance with Article 2 of Section V, and the radiographs shall conform to the requirements of ASTM E 280, Standard Reference Radiographs for Heavy Walled [4½ in. to 12 in. (114 mm to 305 mm)] Steel Castings.

The maximum acceptable severity level for a 100% quality factor shall be

Imperfection Category	Severity Level
A, B, and Types 1, 2, and 3 of C	2
D, E, and F	None acceptable



**PG-25.2.2.3** Any indications in excess of the maximum permitted in PG-25.2.2.1 and PG-25.2.2.2 are unacceptable. The casting may be repaired by welding after the base metal has been magnetic particle or dye penetrant inspected to ensure that the imperfection has been removed or reduced to an acceptable size.

**PG-25.2.2.4** All weld repairs of depth exceeding 1 in. (25 mm) or 20% of the section thickness, whichever is less, shall be inspected by radiography in accordance with PG-25.2.2.2 and by magnetic particle or dye penetrant inspection of the finished weld surface. All weld repairs of depth less than 20% of the section thickness, or 1 in. (25 mm), whichever is less, and all weld repairs of sections which cannot be effectively radiographed shall be examined by magnetic particle or dye penetrant inspection of the first layer, of each  $\frac{1}{4}$  in. (6 mm) thickness of deposited weld metal and of the finished weld surface. Magnetic particle or dye penetrant testing of the finished weld surface shall be done after postweld heat treatment.

**PG-25.2.2.5** When repair welding is done after heat treatment of the casting, the casting shall be postweld heat treated.

**PG-25.2.2.6** All welding shall be performed using welding procedures qualified in accordance with Section IX. The procedure qualification shall be performed on test specimens of cast material of the same specification and subjected to the same heat treatment before and after welding as will be applied to the work. All welders and operators performing this welding shall also be qualified in accordance with Section IX.

**PG-25.2.3 Identification and Marking.** Each casting to which a quality factor greater than 80% is applied shall be marked with the name, trademark, or other traceable identification of the manufacturer and the casting identification, including the casting quality factor and material designation.

**PG-25.2.4** Personnel performing radiographic, magnetic particle, or liquid penetrant examinations under this paragraph shall be qualified in accordance with their employer's written practice. SNT-TC-1A<sup>10</sup> or CP-189 shall be used as a guideline for employers to establish their written practice for qualification and certification of their personnel.

When personnel have been certified according to their employer's written practice based upon an edition of SNT-TC-1A or CP-189 earlier than that referenced in A-360, their certification shall be valid for performing nondestructive examination required by this Section until their next scheduled recertification. Any recertifications,

reexaminations, or new examinations shall be performed to the employer's written practice based on the edition of SNT-TC-1A or CP-189 referenced in A-360.

## **PG-26 WELD JOINT STRENGTH REDUCTION FACTOR**

At elevated temperatures, the long-term strength of weld joints can be lower than the long-term strength of the base material. Table PG-26 specifies a weld joint strength reduction factor,  $w$ , to be used to account for this lower long-term strength in determining the required thickness of components operating in the creep range. This factor shall be applied in the design of cylinders containing longitudinal butt welds and to hemispherical heads or any other spherical sections that comprise segments joined by welding. As defined in PW-11.2, longitudinal butt welds shall be interpreted to include spiral (helical) welds. Weld strength reduction factors apply to such seams made by any welding process, with or without filler metal added, regardless whether the welding is performed as part of material manufacture or by the Certificate Holder as part of Section I fabrication. The designer is responsible for determining the applicability of weld joint strength reduction factors to other (e.g., circumferential) welds. The weld joint strength reduction factor is not required when evaluating occasional loads, such as wind and earthquake.

## **PG-27 CYLINDRICAL COMPONENTS UNDER INTERNAL PRESSURE**

**PG-27.1 General.** Unless the requirements of A-317 of Appendix A are selected, the formulas under this paragraph shall be used to determine the minimum required thickness or the maximum allowable working pressure of piping, tubes, drums, shells, and headers in accordance with the appropriate dimensional categories as given in PG-27.2.1, PG-27.2.2, and PG-27.2.3 for temperatures not exceeding those given for the various materials listed in Tables 1A and 1B of Section II, Part D. (10)

The calculated and ordered thickness of material must include the requirements of PG-16.2, PG-16.3, and PG-16.4. Stress calculations must include the loadings as defined in PG-22 unless the formula is noted otherwise.

When required by the provisions of this Code, allowance must be provided in material thickness for threading and minimum structural stability (see PWT-9.2 and PG-27.4, Notes 3 and 5).

If local thin areas are present in cylindrical shells, the required thickness may be less than the thickness determined in PG-27 provided the requirements of Mandatory Appendix IV are met.

<sup>10</sup> SNT-TC-1A and CP-189 are published by the American Society for Nondestructive Testing, 1711 Arlingate Lane, P.O. Box 28518, Columbus, OH 43228-0518.

2010 SECTION I

(10)

TABLE PG-26  
WELD STRENGTH REDUCTION FACTORS TO BE APPLIED WHEN CALCULATING MAXIMUM ALLOWABLE WORKING PRESSURE OR MINIMUM REQUIRED THICKNESS OF COMPONENTS FABRICATED WITH A LONGITUDINAL SEAM WELD

Temperature, °F	700	750	800	850	900	950	1,000	1,050	1,100	1,150	1,200	1,250	1,300	1,350	1,400	1,450	1,500	
Temperature, °C	371	399	427	454	482	510	538	566	593	621	649	677	704	732	760	788	816	
Steel Group	Weld Strength Reduction Factor [Notes (1)–(6)]																	
C-Mo [Note (7)]	...	...	1.00	NP	NP	NP	NP	NP	NP	NP	NP	NP	NP	NP	NP	NP	NP	
Cr-Mo [Notes (8), (9)]	...	...	1.00	0.95	0.91	0.86	0.82	0.77	0.73	0.68	0.64	NP	NP	NP	NP	NP	NP	
CSEF (N+T) [Notes (9)–(11)]	...	...	...	...	...	1.00	0.95	0.91	0.86	0.82	0.77	NP	NP	NP	NP	NP	NP	
CSEF (subcrit.) [Notes (9), (12)]	...	...	...	...	...	1.00	0.50	0.50	0.50	0.50	0.50	NP	NP	NP	NP	NP	NP	
Austenitic stainless steels and alloys 800H (N08800) and 800HT (N08810) [Notes (13), (14)]	...	...	...	...	...	...	1.00	0.95	0.91	0.86	0.82	0.77	0.73	0.68	0.64	0.59	0.55	0.50
Autogenously welded austenitic stainless [Note (15)]	...	...	...	...	...	...	1.00	1.00	1.00	1.00	1.00	1.00	1.00	1.00	1.00	1.00	1.00	1.00

GENERAL NOTE: Nothing in this table shall be construed to permit materials that are not permitted by PG-5 through PG-9 of this Section or to permit use of materials at temperatures beyond limitations established by this Section. Several materials covered by this table are currently permitted for Section I application only via code case.

NOTES:

- (1) Cautionary Note: There are many factors that may affect the life of a welded joint at elevated temperature, and all of those factors cannot be addressed in a table of weld strength reduction factors. For example, fabrication issues such as the deviation from a true circular form in pipe (e.g., "peaking" at longitudinal weld seams) or offset at the weld joint can cause an increase in stress that may result in reduced service life, and control of these deviations is recommended.
- (2) NP = not permitted.
- (3) Components made from carbon steel are exempt from the requirements of PG-26 and Table PG-26.
- (4) Longitudinal seam welds in components made from materials not covered in this table operating in the creep regime are not permitted. For the purposes of this table, the creep regime temperature range is defined to begin at a temperature 50°F (25°C) below the T-note temperature listed in Section II, Part D design property tables for the base material involved.
- (5) All weld filler metal shall have a minimum carbon content of 0.05% for the Cr-Mo and CSEF materials and a minimum carbon content of 0.04% for the austenitic stainless steels.
- (6) At temperatures below those where WSRFs are tabulated, a value of 1.0 shall be used for the factor *w* where required by the rules of this Section; however, the additional rules of this table and notes do not apply.
- (7) Longitudinal seam fusion welded construction is not permitted for C-½Mo steel above 850°F (454°C).
- (8) The Cr-Mo steels include ½Cr-½Mo, 1Cr-½Mo, 1¼Cr-½Mo-Si, 2¼Cr-1Mo, 3Cr-1Mo, and 5Cr-½Mo. Longitudinal welds shall either be normalized, normalized and tempered, or subjected to proper subcritical PWHT for the alloy.
- (9) Basicity index of SAW flux ≥ 1.0.
- (10) N + T = normalizing + tempering PWHT.

TABLE PG-26  
WELD STRENGTH REDUCTION FACTORS TO BE APPLIED WHEN CALCULATING MAXIMUM ALLOWABLE WORKING PRESSURE OR MINIMUM REQUIRED THICKNESS OF COMPONENTS FABRICATED WITH A LONGITUDINAL SEAM WELD (CONT'D)

- (11) The CSEF (creep strength enhanced ferritic) steels include Grades 91, 92, 911, 122, and 23.
- (12) subcrit. = subcritical PWHT is required. No exemptions from PWHT are permitted. The PWHT time and temperature shall meet the requirements of Table PW-39; the alternative PWHT requirements of Table PW-39.1 are not permitted.
- (13) Certain heats of the austenitic stainless steels, particularly for those grades whose creep strength is enhanced by the precipitation of temper-resistant carbides and carbo-nitrides, can suffer from an embrittlement condition in the weld heat-affected zone that can lead to premature failure of welded components operating at elevated temperatures. A solution annealing heat treatment of the weld area mitigates this susceptibility.
- (14) Alternatively, the following factors may be used as the weld joint strength reduction factor for the materials and welding consumables specified, provided the weldment is solution annealed after welding.

Materials	Weld Strength Reduction Factor											
	950	1,000	1,050	1,100	1,150	1,200	1,250	1,300	1,350	1,400	1,450	1,500
Type 304 stainless steel welded with SFA-5.22 EXXXT-G (16-8-2 chemistry), SFA 5.4E 16-8-2, and SFA-5.9 ER 16-8-2	1.00	1.00	1.00	1.00	1.00	1.00	1.00	1.00	1.00	1.00	1.00	1.00
Type 316 stainless steel welded with SFA-5.22 EXXXT-G (16-8-2 chemistry), SFA 5.4 E 16-8-2, and SFA-5.9 ER 16-8-2	1.00	0.85	0.90	0.97	0.99	1.00						

- (15) Autogenous welds (without weld filler metal) in austenitic SS materials have been assigned a WSRF of 1.00 up 1,500°F (816°C), provided that the product is solution annealed after welding and receives nondestructive electric examination, in accordance with the material specification.

**PG-27.2 Formulas for Calculation**

**PG-27.2.1 Tubing — Up to and Including 5 in. (125 mm) Outside Diameter**

For bare tubes or bimetallic tubes when the strength of the clad is not included,<sup>11</sup> use the following equations:

$$t = \frac{PD}{2S_w + P} + 0.005D + e$$

$$P = S_w \left[ \frac{2t - 0.01D - 2e}{D - (t - 0.005D - e)} \right]$$

See PG-27.4.2, PG-27.4.4, PG-27.4.8, and PG-27.4.10.

For bimetallic tubes when the strength of the clad is included,<sup>11</sup> use the following equations:

$$tb + tc' = \frac{PD}{2S_b + P} + 0.005D + e$$

$$tc' = tc \left[ \frac{S_c}{S_b} \right]$$

$$t = tb + tc$$

$$P = S_b \left[ \frac{2(tb + tc') - 0.01D - 2e}{D - [(tb + tc') - 0.005D - e]} \right]$$

<sup>11</sup> Generalized wastage and localized corrosion, including stress corrosion cracking, have been observed in the clad of bimetallic tubes in some applications, such as chemical recovery boilers. In such applications, the choice of whether or not to include the clad strength may critically affect service performance, dependent on the environmental susceptibility of the clad.

See PG-27.4.4, PG-27.4.8, PG-27.4.10, and PG-27.4.11.

**PG-27.2.1.2** The wall thickness of the ends of tubes strength-welded to headers or drums need not be made greater than the run of the tube as determined by these formulas.

**PG-27.2.1.3** The wall thickness of the ends of tubes permitted to be attached by threading under the limitations of PWT-9.2 shall be not less than *t* as determined by this formula, plus 0.8/*n* (20/*n*), where *n* equals the number of threads per inch (per mm).

**PG-27.2.1.4** A tube in which a fusible plug is to be installed shall be not less than 0.22 in. (5.6 mm) in thickness at the plug in order to secure four full threads for the plug (see also A-20).

**PG-27.2.1.5** Bimetallic tubes for which the strength of the clad is not included and meeting the requirements of PG-9.4 shall use an outside diameter, *D*, in the appropriate equation in PG-27.2.1 no less than the calculated outside diameter of the core material. The outside diameter of the core material shall be determined by subtracting twice the minimum thickness of the cladding from the outside diameter of the bimetallic tube, including the maximum plus tolerance of the core tube. The minimum required thickness, *t*, shall apply only to the core material.

Tubes for which the strength of the clad is included and meeting the requirements of PG-9.4 shall use an outside diameter, *D*, in the appropriate equation in PG-27.2.1 equal

to the outside diameter of the bimetallic tube, including the maximum plus tolerance for both the core tube diameter and clad thickness.

(10) **PG-27.2.2 Piping, Drums, Shells, and Headers.**  
(based on strength of weakest course)

$$t = \frac{PD}{2SE + 2yP} + C \quad \text{or} \quad \frac{PR}{SE - (1 - y)P} + C$$

$$P = \frac{2SE(t - C)}{D - 2y(t - C)} \quad \text{or} \quad \frac{SE(t - C)}{R + (1 - y)(t - C)}$$

See PG-27.4.1, PG-27.4.3, and PG-27.4.5 through PG-27.4.9.

**PG-27.2.3 Thickness Greater Than One-Half the Inside Radius of the Component.** The maximum allowable working pressure for parts of boilers of cylindrical cross section, designed for temperatures up to that of saturated steam at critical pressure [705.4°F (374.1°C)], shall be determined by the formulas in A-125.

**PG-27.3 Symbols.** Symbols used in the preceding formulas are defined as follows:

*C* = minimum allowance for threading and structural stability (see PG-27.4.3)

*D* = outside diameter of cylinder

*E* = efficiency (see PG-27.4.1)

*e* = thickness factor for expanded tube ends (see PG-27.4.4)

*P* = maximum allowable working pressure (see PG-21)

*R* = inside radius of cylinder

*S* = maximum allowable stress value at the design temperature of the metal, as listed in the tables specified in PG-23 (see PG-27.4.2)

*S<sub>b</sub>* = maximum allowable stress value at the design temperature of the base metal, as listed in the tables specified in PG-23, for a bimetallic tube in which the clad strength is to be included (see PG-27.4.11)

*S<sub>c</sub>* = maximum allowable stress value at the design temperature of the clad metal, as listed in Section II, Part D, Tables 1A or 1B, for a bimetallic tube in which the clad strength is to be included (see PG-27.4.11)

*t* = minimum required thickness (see PG-27.4.7)

*t<sub>b</sub>* = minimum required thickness of the base metal for a bimetallic tube in which the clad strength is to be included (see PG-27.4.11)

*t<sub>c</sub>* = minimum required thickness of the clad for a bimetallic tube in which the clad strength is to be included (see PG-27.4.11)

*t<sub>c</sub>'* = minimum effective clad thickness for strength purposes for a bimetallic tube in which the clad strength is to be included (see PG-27.4.11)

*w* = weld joint strength reduction factor per PG-26

*y* = temperature coefficient (see PG-27.4.6)

**PG-27.4 Notes.** Notes referenced in the preceding formulas are as follows: (10)

**PG-27.4.1 Note 1**

*E* = 1.0 for seamless cylinders without openings spaced to form ligaments

= the ligament efficiency per PG-52 or PG-53 for seamless cylinders with ligaments

= *w*, the weld joint strength reduction factor per PG-26, for longitudinally welded cylinders without ligaments

For longitudinally welded cylinders with ligaments located such that no part of the longitudinal weld seam is penetrated by the openings forming the ligament, *E* shall be taken as the lesser of *w* or the ligament efficiency from PG-52 or PG-53. If any part of the longitudinal seam weld is penetrated by the openings that form the ligaments, *E* shall be taken as the product of *w* times the ligament efficiency.

**PG-27.4.2 Note 2.** The temperature of the metal to be used in selecting the *S* value for tubes shall not be less than the maximum expected mean wall temperature, i.e., the sum of the outside and inside tube surface temperatures divided by 2. For tubes that do not absorb heat, the metal temperature may be taken as the temperature of the fluid within the tube but not less than the saturation temperature.

**PG-27.4.3 Note 3.** Any additive thickness represented by the general term *C* may be considered to be applied on the outside, the inside, or both. It is the responsibility of the designer using these formulas to make the appropriate selection of diameter or radius to correspond to the intended location and magnitude of this added thickness. The pressure- or stress-related terms in the formula should be evaluated using the diameter (or radius) and the remaining thickness which would exist if the "additive" thickness had not been applied or is imagined to have been entirely removed.

The values of *C* below do not include any allowance for corrosion and/or erosion, and additional thickness should be provided where they are expected. Likewise, this allowance for threading and minimum structural stability is not intended to provide for conditions of misapplied external loads or for mechanical abuse.

Threaded Pipe <sup>a</sup>	Value of <i>C</i> <sup>b</sup> in. (mm)
<i>D</i> ≤ ¾ in. (19 mm) nominal	0.065 (1.65)
<i>D</i> > ¾ in. (19 mm) nominal	Depth of thread <i>h</i> <sup>c</sup>

(a) Steel or nonferrous pipe lighter than Schedule 40 of ASME B36.10M, Welded and Seamless Wrought Steel Pipe, shall not be threaded.

(b) The values of *C* stipulated above are such that the actual stress due to internal pressure in the wall of the pipe

is no greater than the values of  $S$  given in Table 1A of Section II, Part D, as applicable in the formulas.

(c) The depth of thread  $h$  in in. (mm) may be determined from the formula  $h = 0.8/n$  ( $h = 20/n$ ), where  $n$  is the number of threads per inch (25 mm) or from the following:

$n$	$h$
8	0.100 (2.5)
11½	0.0696 (1.77)

**PG-27.4.4 Note 4**

$e = 0.04$  (1.0) over a length at least equal to the length of the seat plus 1 in. (25 mm) for tubes expanded into tube seats, except

$= 0$  for tubes expanded into tube seats provided the thickness of the tube ends over a length of the seat plus 1 in. (25 mm) is not less than the following:

(a) 0.095 in. (2.41 mm) for tubes 1¼ in. (32 mm) O.D. and smaller

(b) 0.105 in. (2.67 mm) for tubes above 1¼ in. (32 mm) O.D. and up to 2 in. (50 mm) O.D., incl.

(c) 0.120 in. (3.05 mm) for tubes above 2 in. (50 mm) O.D. and up to 3 in. (75 mm) O.D., incl.

(d) 0.135 in. (3.43 mm) for tubes above 3 in. (76 mm) O.D. and up to 4 in. (100 mm) O.D., incl.

(e) 0.150 in. (3.81 mm) for tubes above 4 in. (100 mm) O.D. and up to 5 in. (125 mm) O.D., incl.

$= 0$  for tubes strength-welded to headers and drums

**PG-27.4.5 Note 5.** While the thickness given by the formula is theoretically ample to take care of both bursting pressure and material removed in threading, when steel pipe is threaded and used for steam pressures of 250 psi (1.7 MPa) and over, it shall be seamless and of a weight at least equal to Schedule 80 in order to furnish added mechanical strength.

**PG-27.4.6 Note 6**

$y$  = a coefficient having values as follows:

	Temperature, °F (°C)							
	900 (480) and below	950 (510)	1,000 (540)	1,050 (565)	1,100 (595)	1,150 (620)	1,200 (650)	1,250 (675) and above
Ferritic	0.4	0.5	0.7	0.7	0.7	0.7	0.7	0.7
Austenitic	0.4	0.4	0.4	0.4	0.5	0.7	0.7	0.7
Alloy 800, 801	0.4	0.4	0.4	0.4	0.4	0.4	0.5	0.7
800H, 800HT	0.4	0.4	0.4	0.4	0.4	0.4	0.5	0.7
825	0.4	0.4	0.4	...	...	...	...	...
230 Alloy	0.4	0.4	0.4	0.4	0.4	0.4	0.5	0.7
N06022	0.4	0.4	0.4	0.4	0.5	0.7	0.7	0.7
N06045	0.4	0.4	0.4	0.4	0.5	0.7	0.7	0.7
N06600	0.4	0.4	0.4	0.4	0.5	0.7	0.7	...
N06601	0.4	0.4	0.4	0.4	0.5	0.7	0.7	...
N06625	0.4	0.4	0.4	0.4	0.4	...	...	...
N06690	0.4	0.4	0.4	0.4	0.5	0.7	0.7	...
Alloy 617	0.4	0.4	0.4	0.4	0.4	0.4	0.5	0.7
S31803	0.4	...	...	...	...	...	...	...

Values of  $y$  between temperatures listed may be determined by interpolation. For nonferrous materials not listed,  $y = 0.4$ .

**PG-27.4.7 Note 7.** If pipe is ordered by its nominal wall thickness, as is customary in trade practice, the manufacturing tolerance on wall thickness must be taken into account. After the minimum pipe wall thickness  $t$  is determined by the formula, this minimum thickness shall be increased by an amount sufficient to provide the manufacturing tolerance allowed in the applicable pipe specification. The next heavier commercial wall thickness may then be selected from Standard thickness schedules as contained in ASME B36.10M. The manufacturing tolerances are given in the several pipe specifications listed in PG-9.

**PG-27.4.8 Note 8.** When computing the allowable pressure for a pipe of a definite minimum wall thickness, the value obtained by the formulas may be rounded up to the next higher unit of 10 psi (0.1 MPa).

**PG-27.4.9 Note 9.** Inside backing strips, when used at longitudinal welded joints, shall be removed and the weld surface prepared for volumetric examination as required. Inside backing rings may remain at circumferential welded seams of cylinders provided such construction complies with requirements of PW-41. (10)

**PG-27.4.10 Note 10.** The maximum allowable working pressure  $P$  need not include the hydrostatic head loading, PG-22, when used in this equation.

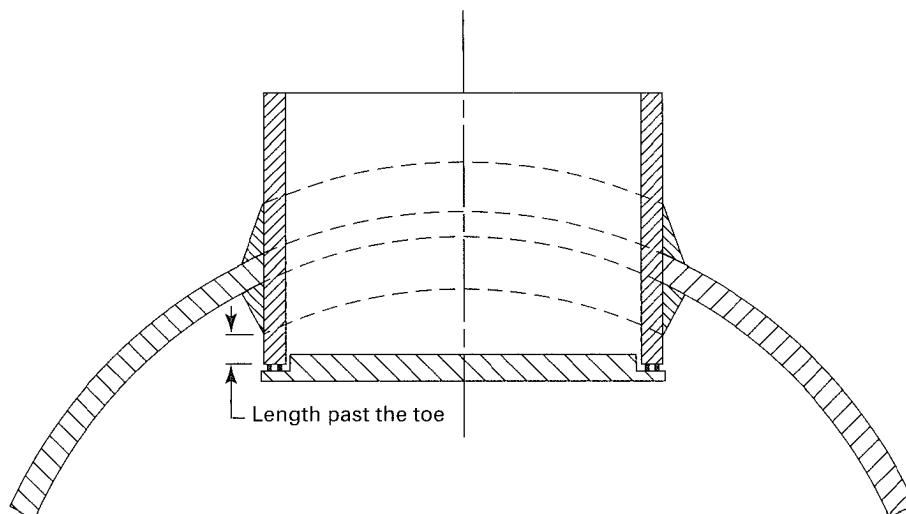
**PG-27.4.11 Note 11.** This note has additional requirements for bimetallic tubes for which the strength of the clad is included. For additional fabrication requirements, see PW-44. For such bimetallic tubes, the thermal conductivity of the base metal shall be equal to or greater than the thermal conductivity of the clad material. The cladding process shall achieve a metallurgical bond between the clad and the base metal (core tube).

The temperature of the metal to be used in selecting the  $S_b$  value for core tubes shall not be less than the maximum expected mean wall temperature calculated using the base metal thermal properties for a tube with the same outside diameter and total wall thickness as the clad tube, i.e., the sum of the outside and inside tube surface temperature of an equivalent core tube, divided by 2.

The temperature of the metal to be used in selecting the  $S_c$  value for the clad shall not be less than the maximum expected mean wall temperature of the clad, i.e., the sum of the outside surface temperature and the base metal-clad interface temperature, divided by 2.

The value of  $S_c$  shall be taken as that for an annealed wrought material with nominally equivalent strength and composition as the clad. Values applicable to either Section I or Section VIII, Division 1 may be used. If two

FIG. PG-28 MAXIMUM INTERNAL PROJECTION OF WELDED ACCESS OR INSPECTION OPENINGS



GENERAL NOTE: For other acceptable weld configurations, see Fig. PW-16.1.

stress values are listed for a material, the higher value may be used.

The sizing equation is subject to the following constraints:

$$tb \geq tc \text{ (excludes clads thicker than core tube)}$$

$$t < \frac{D}{4} \text{ (excludes thick-walled tubes)}$$

$$\text{If } \left(\frac{Sc}{Sb}\right) \geq 1, \text{ the ratio is set to 1 in the calculation}$$

$$\text{If } \left(\frac{Sc}{Sb}\right) < 1, \text{ the actual ratio is used in the calculation}$$

#### PG-28 WELDED ACCESS OR INSPECTION OPENINGS UNDER EXTERNAL PRESSURE

The maximum allowable working pressure for welded access or inspection openings, with inward projections subjected to external pressure (such as manhole or handhole rings with internal covers), may be determined in accordance with the rules of PG-27 when the following requirements are met. The length of the internal projection of the ring extending past the toe of the attachment weld on the ring, shall not exceed the thickness of the ring. The length past the toe of the weld is measured at the location of the shortest ring projection into the vessel (see Fig. PG-28). For elliptical rings the value of  $D$  to be used in the procedures of

PG-27 shall be determined in accordance with the following equation for elliptical rings:

$$D = a^2/b$$

where

$a$  = outside major axis of the ellipse

$b$  = outside minor axis of the ellipse

This provision does not apply to flanged in manholes covered by PG-29.3, PG-29.7, and PG-29.12.

#### PG-29 DISHED HEADS

**PG-29.1** The thickness of a blank unstayed dished head with the pressure on the concave side, when it is a segment of a sphere, shall be calculated by the following equation:

$$t = 5PL/4.8Sw$$

where

$L$  = radius to which the head is dished, measured on the concave side of the head

$P$  = maximum allowable working pressure (hydrostatic head loading need not be included)

$S$  = maximum allowable working stress, using values given in Table 1A of Section II, Part D

$t$  = minimum thickness of head

$w$  = weld joint strength reduction factor per PG-26

**PG-29.1.1** If local thin areas are present in the spherical portion of the dished head, the required thickness may (10)

be less than the thickness determined in PG-29.1 provided the requirements of Mandatory Appendix IV are met.

**PG-29.2** The radius to which a head is dished shall be not greater than the outside diameter of flanged portion of the head. Where two radii are used the longer shall be taken as the value of  $L$  in the equation.

**PG-29.3** When a head dished to a segment of a sphere has a flanged-in manhole or access opening that exceeds 6 in. (150 mm) in any dimension, the thickness shall be increased by not less than 15% of the required thickness for a blank head computed by the above formula, but in no case less than  $\frac{1}{8}$  in. (3 mm) additional thickness over a blank head. Where such a dished head has a flanged opening supported by an attached flue, an increase in thickness over that for a blank head is not required. If more than one manhole is inserted in a head, the thickness of which is calculated by this rule, the minimum distance between the openings shall be not less than one-fourth of the outside diameter of the head.

**PG-29.4** Except as otherwise provided for in PG-29.3, PG-29.7, and PG-29.12, all openings which require reinforcement, placed in a head dished to a segment of a sphere, or in an ellipsoidal head, or in a full-hemispherical head, including all types of manholes except those of the integral flanged-in type, shall be reinforced in accordance with the rules in PG-33.

When so reinforced, the thickness of such a head may be the same as for a blank unstayed head.

- (10) **PG-29.5** Where the radius  $L$  to which the head is dished is less than 80% of the outside diameter of the head, the thickness of a head with a flanged-in manhole opening shall be at least that found by making  $L$  equal to 80% of the outside diameter of the head and with the added thickness for the manhole. This thickness shall be the minimum thickness of a head with a flanged-in manhole opening for any form of head and the maximum allowable working stress shall not exceed the values given in Table 1A of Section II, Part D.

**PG-29.6** No head, except a full-hemispherical head, shall be of a lesser thickness than that required for a seamless shell of the same diameter.

- (10) **PG-29.7** A blank head of a semiellipsoidal form in which half the minor axis or the depth of the head is at least equal to one-quarter of the inside diameter of the head shall be made at least as thick as the required thickness of a seamless shell of the same diameter as provided in PG-27.2.2. If a flanged-in manhole that meets the Code requirements is placed in an ellipsoidal head, the thickness of the head shall be the same as for a head dished to a segment of a sphere (see PG-29.1 and PG-29.5) with a dish radius equal to eight-tenths the outside diameter of

the head and with the added thickness for the manhole as specified in PG-29.3.

**PG-29.8** When heads are made to an approximate ellipsoidal shape, the inner surface of such heads must lie outside and not inside of a true ellipse drawn with the major axis equal to the inside diameter of the head and one-half the minor axis equal to the depth of the head. The maximum variation from this true ellipse shall not exceed 0.0125 times the inside diameter of the head.

**PG-29.9** Unstayed dished heads with the pressure on the convex side shall have a maximum allowable working pressure equal to 60% of that for heads of the same dimensions with the pressure on the concave side.

Head thicknesses obtained by using the formulas in PG-29.11 for hemispherical heads and PG-29.7 for blank semiellipsoidal heads do not apply to heads with pressure on the convex side.

- PG-29.11** The thickness of a blank unstayed full-hemispherical head with the pressure on the concave side shall be calculated by the following equation: (10)

$$t = \frac{PL}{2Sw - 0.2P}$$

where

- $L$  = radius to which the head was formed, measured on the concave side of the head
- $P$  = maximum allowable working pressure
- $S$  = maximum allowable working stress, using values given in Table 1A of Section II, Part D
- $t$  = minimum thickness of head
- $w$  = weld joint strength reduction factor per PG-26

The above equation shall not be used when the required thickness of the head given by this formula exceeds 35.6% of the inside radius, and instead, the following equation shall be used:

$$t = L(Y^{1/3} - 1)$$

where

$$Y = \frac{2(Sw + P)}{2Sw - P}$$

Joints in full-hemispherical heads including the joint to the shell shall be governed by and meet all the requirements for longitudinal joints in cylindrical shells, except that in a butt-welded joint attaching a head to a shell the middle lines of the plate thicknesses need not be in alignment.

If local thin areas are present in the full-hemispherical head, the required thickness may be less than the thickness determined above provided the requirements of Mandatory Appendix IV are met.

- PG-29.12** If a flanged-in manhole that meets the Code requirements is placed in a full-hemispherical head, the (10)

thickness of the head shall be the same as for a head dished to a segment of a sphere (see PG-29.1 and PG-29.5), with a dish radius equal to eight-tenths the outside diameter of the head and with the added thickness for the manhole as specified in PG-29.3.

- (10) **PG-29.13** The corner radius of an unstayed dished head measured on the concave side of the head shall be not less than three times the thickness of the material in the head; but in no case less than 6% of the outside diameter of the head. In no case shall the thinning-down due to the process of forming, of the knuckle portion of any dished head consisting of a segment of a sphere encircled by a part of a torus constituting the knuckle portion (torispherical), exceed 10% of the thickness required by the formula in PG-29.1. Other types of heads shall have a thickness after forming of not less than that required by the applicable equation.

### PG-30 STAYED DISHED HEADS

**PG-30.1** When dished heads are of a thickness less than called for by PG-29, they shall be stayed as flat surfaces, no allowance being made in such staying for the holding power due to the spherical form unless all of the following conditions are met:

**PG-30.1.1** That they be at least two-thirds as thick as called for by the rules for unstayed dished heads.

**PG-30.1.2** That they be at least  $\frac{7}{8}$  in. (22 mm) in thickness.

**PG-30.1.3** That through-stays be used attached to the dished head by outside and inside nuts.

**PG-30.1.4** That the maximum allowable working pressure shall not exceed that calculated by the rules for an unstayed dished head plus the pressure corresponding to the strength of the stays or braces secured by the formula for braced or stayed surfaces given in PG-46, using 1.3 for the value of  $C$ .

**PG-30.2** If a dished head concave to pressure is formed with a flattened spot or surface, the diameter of the flat spot shall not exceed that allowable for flat heads as given by the formula in PG-31, using  $C = 0.25$ .

### PG-31 UNSTAYED FLAT HEADS AND COVERS

**PG-31.1** The minimum thickness of unstayed flat heads, cover plates, and blind flanges shall conform to the requirements given in this paragraph. These requirements apply to both circular and noncircular<sup>12</sup> heads and covers.

<sup>12</sup> Special consideration shall be given to the design of shells, nozzle necks, or flanges to which noncircular heads or covers are attached (see Preamble, second paragraph).

Some acceptable types of flat heads and covers are shown in Fig. PG-31. In this figure, the dimensions of the welds are exclusive of extra metal required for corrosion allowance.

**PG-31.2** The notations used in this paragraph and in Fig. PG-31 are defined as follows:

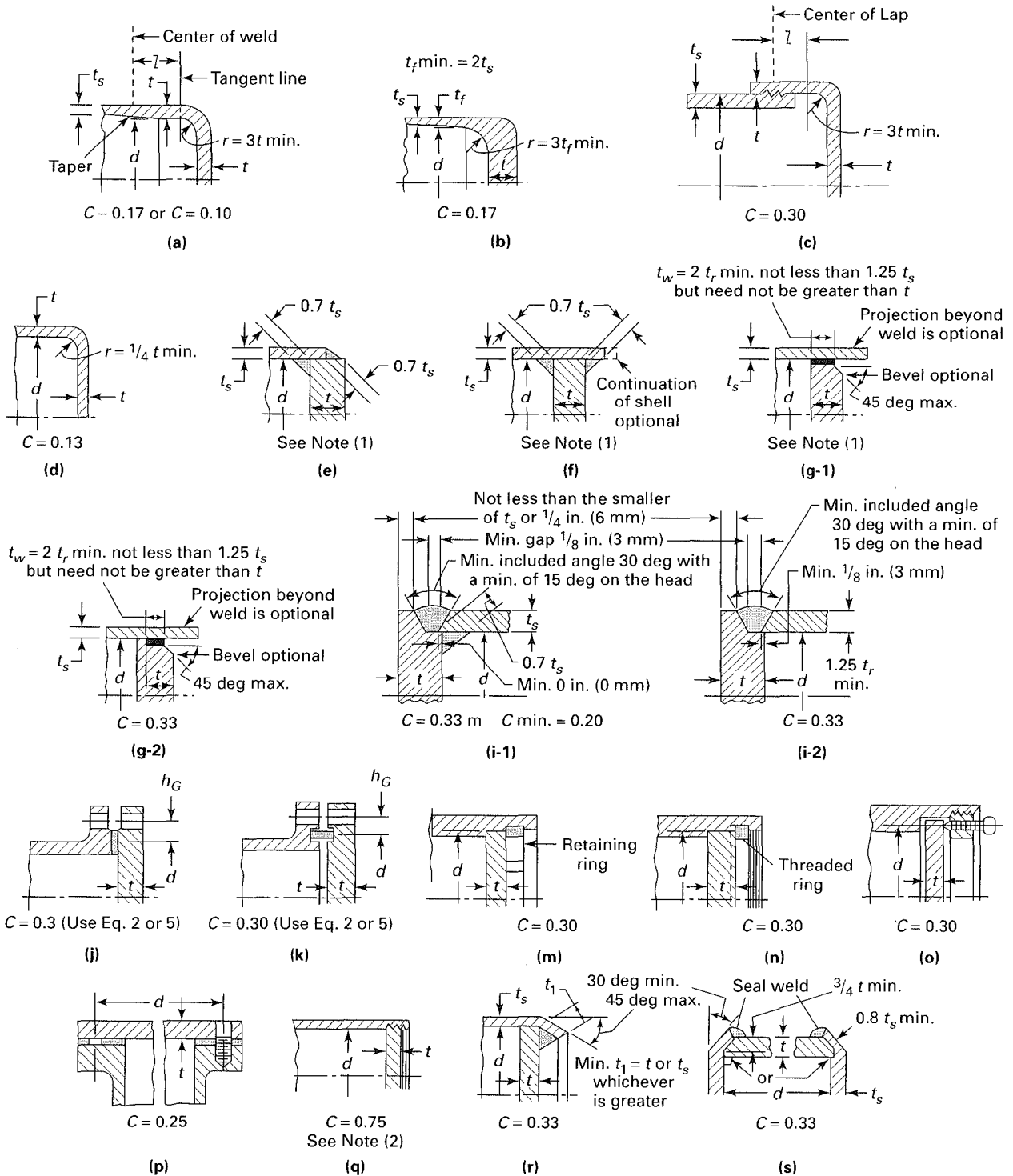
- $C$  = a factor depending on the method of attachment of head and on the shell, pipe, or header dimensions, and other items as listed in PG-31.4 below, dimensionless. The factors for welded covers also include a factor of 0.667 that effectively increases the allowable stress for such constructions to 1.5 $S$ .
- $D$  = long span of noncircular heads or covers measured perpendicular to short span
- $d$  = diameter, or short span, measured as indicated in Fig. PG-31
- $h_g$  = gasket moment arm, equal to the radial distance from the center line of the bolts to the line of the gasket reaction, as shown in Fig. PG-31, illustrations (j) and (k)
- $L$  = perimeter of noncircular bolted head measured along the centers of the bolt holes
- $l$  = length of flange of flanged heads, measured from the tangent line of knuckle, as indicated in Fig. PG-31, illustrations (a) and (c)
- $m$  = the ratio  $t_r/t_s$ , dimensionless
- $P$  = maximum allowable working pressure
- $r$  = inside corner radius on a head formed by flanging or forging
- $S$  = maximum allowable stress value, psi (kPa), using values given in Table 1A of Section II, Part D
- $t$  = minimum required thickness of flat head or cover
- $t_f$  = nominal thickness of the flange on a forged head, at the large end, as indicated in Fig. PG-31, illustration (b)
- $t_h$  = nominal thickness of flat head or cover
- $t_r$  = thickness required for pressure of seamless shell, pipe, or header
- $t_s$  = minimum specified thickness of shell, pipe, or header
- $t_w$  = thickness through the weld joining the edge of a head to the inside of a drum, pipe, or header, as indicated in Fig. PG-31, illustration (g)
- $t_1$  = throat dimension of the closure weld, as indicated in Fig. PG-31, illustration (r)
- $W$  = total bolt load, as further defined in PG-31.3.2
- $Z$  = a factor for noncircular heads and covers that depends on the ratio of short span to long span, as given in PG-31.3, dimensionless

**PG-31.3** The thickness of flat unstayed heads, covers, and blind flanges shall conform to one of the following three requirements.<sup>13</sup>

<sup>13</sup> The formulas provide safe construction as far as stress is concerned. Greater thicknesses may be necessary if deflection would cause leakage at threaded or gasketed joints.



FIG. PG-31 SOME ACCEPTABLE TYPES OF UNSTAYED FLAT HEADS AND COVERS



GENERAL NOTE: The above illustrations are diagrammatic only. Other designs that meet the requirements of PG-31 will be acceptable.

NOTES:

- (1) For illustrations (e), (f), and (g-1) circular covers,  $C = 0.33$  m,  $C$  min. = 0.20; noncircular covers,  $C = 0.33$ .
- (2) When pipe threads are used, see Table PG-39.

**PG-31.3.1** Circular blind flanges of ferrous materials conforming to ASME B16.5 shall be acceptable for the diameters and pressure-temperature ratings in Table 2 of that Standard when of the types shown in Fig. PG-31, illustrations (j) and (k).

**PG-31.3.2** The minimum required thickness of flat unstayed circular heads, covers, and blind flanges shall be calculated by the following equation:

$$t = d\sqrt{CP/S} \quad (1)$$

except when the head, cover, or blind flange is attached by bolts causing an edge moment [Fig. PG-31, illustrations (j) and (k)] in which case the thickness shall be calculated by the following equation:

$$t = d\sqrt{(CP/S) + (1.9Wh_g/SLd^3)} \quad (2)$$

When using eq. (2) the thickness  $t$  shall be calculated for both design conditions and gasket seating, and the greater of the two values shall be used. For design conditions, the value of  $P$  shall be the maximum allowable working pressure, the value of  $S$  at design temperature shall be used, and  $W$  shall be the sum of the bolt loads required to resist the end pressure load and to maintain tightness of the gasket.<sup>14</sup> For gasket seating,  $P$  equals zero, the value of  $S$  at atmospheric temperature shall be used, and  $W$  shall be the average of the required bolt load and the load available from the bolt area actually used.

**PG-31.3.3** Flat unstayed heads, covers, or blind flanges may be square, rectangular, elliptical, obround, segmental, or otherwise noncircular. Their required thickness shall be calculated by the following equation:

$$t = d\sqrt{ZCP/S} \quad (3)$$

where

$$Z = 3.4 - \frac{2.4d}{D} \quad (4)$$

with the limitation that  $Z$  need not be greater than  $2\frac{1}{2}$ .

Equation (3) does not apply to noncircular heads, covers, or blind flanges attached by bolts causing a bolt edge moment [Fig. PG-31, illustrations (j) and (k)]. For noncir-

cular heads of this type, the required thickness shall be calculated by the following equation:

$$t = d\sqrt{(ZCP/S) + (6Wh_g/SLd^2)} \quad (5)$$

When using eq. (5), the thickness  $t$  shall be calculated in the same way as specified above for eq. (2).

**PG-31.4** For the types of construction shown in Fig. PG-31, the minimum values of  $C$  to be used in eqs. (1) through (3) and (5) are:<sup>15</sup>

Fig. PG-31, illustration (a):  $C = 0.17$  for flanged circular and noncircular heads forged integral with or butt welded to the shell, pipe, or header, with an inside corner radius not less than three times the required head thickness, with no special requirement with regard to length of flange, and where the welding meets all the requirements for circumferential joints given in Part PW.

$C = 0.10$  for circular heads, where the flange length for heads of the above design is not less than

$$l = \left(1.1 - 0.8 \frac{t_s^2}{t_h^2}\right) \sqrt{dt_h} \quad (6)$$

When  $C = 0.10$  is used, the slope of the tapered sections shall be no greater than 1:3.

Fig. PG-31, illustration (b):  $C = 0.17$  for circular and noncircular heads forged integral with or butt welded to the shell, pipe, or header, where the corner radius on the inside is not less than three times the thickness of the flange and where the welding meets all the requirements for circumferential joints given in Part PW.

Fig. PG-31, illustration (c):  $C = 0.30$  for circular flanged plates screwed over the end of the shell, pipe, or header, with inside corner radius not less than  $3t$ , in which the design of the threaded joint against failure by shear, tension, or compression, resulting from the end force due to pressure, is based on a factor of safety of at least 4, and the threaded parts are at least as strong as the threads for standard piping of the same diameter. Seal welding may be used, if desired.

Fig. PG-31, illustration (d):  $C = 0.13$  for integral flat circular heads when the dimension  $d$  does not exceed 24 in. (600 mm); the ratio of thickness of the head to the dimension  $d$  is not less than 0.05 nor greater than 0.25; the head thickness  $t_h$  is not less than the shell thickness  $t_s$ , the inside corner radius is not less than  $0.25t$ ; and the construction is obtained by special techniques of upsetting and spinning the end of the shell, pipe, or header, such as are employed in closing header ends.

Fig. PG-31, illustrations (e), (f), and (g-1):  $C = 0.33m$  but not less than 0.20 for circular plates and  $C = 0.33$  for noncircular plates welded to the inside of a drum, pipe, or

<sup>14</sup> Equations for  $W$  may be found in any of several references, such as the following:

"Modern Flange Design," Bulletin 502, 7th Edition; G+W Taylor-Bonney Division, Southfield, Michigan.

Jawad, M. H. and Farr, J. R., Structural Analysis and Design of Process Equipment, Second Edition; John Wiley & Sons.

ASME BPVC, Section VIII, Division 1, "Rules for Construction of Pressure Vessels," Appendix 2, "Rules for Bolted Flange Connection with Risk Type Gaskets"; The American Society of Mechanical Engineers (ASME International), Three Park Avenue, New York, NY 10016; Order Dept.: 22 Law Drive, Box 2300, Fairfield, NJ 07007-2300.

<sup>15</sup> Volumetric examination is not required for any of the weld joints shown in Fig. PG-31, illustrations (e), (f), (g-1), (g-2), (i), (r), and (s).

header, and otherwise meeting the requirements for the respective types of welded boiler drums, including postweld heat treatment when required for the drum, but omitting volumetric examination. If a value of  $m$  less than 1 is used in calculating  $t$ , the shell thickness,  $t_s$ , shall be maintained along a distance inwardly from the inside face of the head equal to at least  $2\sqrt{dt_s}$ . The throat thickness of the fillet welds in illustrations (e) and (f) shall be at least  $0.7t_s$ . The size of the weld  $t_w$  in illustration (g-1) shall be not less than 2 times the required thickness of a seamless shell nor less than 1.25 times the nominal shell thickness but need not be greater than the head thickness; the weld shall be deposited in a welding groove with the root of the weld at the inner face of the head as shown in the figure.

Fig. PG-31, illustration (g-2):  $C = 0.33$  for circular plates, welded to the inside of a drum, pipe, or header, and otherwise meeting the requirements for the respective types of welded boiler drums, including postweld heat treatment when required for the drum, but omitting volumetric examination. When the weld is not deposited at the inner face of the header, the thickness of the head that remains unwelded shall be in addition to the thickness of the head calculated per PG-31.3.2. The drum or header shall be limited to NPS 4 or less.

$C = 0.33$  for noncircular plates, welded to the inside of a drum, pipe, or header, and otherwise meeting the requirements for the respective types of welded boiler drums, including postweld heat treatment when required for the drum, but omitting volumetric examination. The throat thickness of the fillet welds in Fig. 31, illustrations (e) and (f) shall be at least  $0.7t_s$ . The size of the weld  $t_w$  in illustration (g-1) shall be not less than 2 times the required thickness of a seamless shell nor less than 1.25 times the nominal shell thickness but need not be greater than the head thickness; the weld shall be deposited in a welding groove with the root of the weld at the inner face of the head as shown in the figure.

Fig. PG-31, illustration (i):  $C = 0.33m$  but not less than 0.20 for circular plates welded to the end of the drum, pipe, or header, when an inside weld with minimum throat thickness of  $0.7t_s$  is used. The width at the bottom of the welding groove shall be not less than  $\frac{1}{8}$  in. (3 mm) and the exposed edge not less than  $t_s$  or  $\frac{1}{4}$  in. (6 mm), whichever is smaller. The inside fillet weld may be omitted, providing  $t_s$  is not less than  $1.25t$ , and the factor  $C$  is taken as 0.33.

Fig. PG-31, illustrations (j) and (k):  $C = 0.3$  for circular and noncircular heads and covers bolted to the shell, flange, or side plate as indicated in the figures. Note that eq. (2) or (5) shall be used because of the extra moment applied to the cover by the bolting. When the cover plate is grooved for a peripheral gasket, as shown in illustration (k) the net cover plate thickness under the groove or between the

groove and the outer edge of the cover plate shall be not less than

$$d\sqrt{1.9Wh_g/SLd^3}$$

for circular heads and covers, not less than

$$d\sqrt{6Wh_g/SLd^2}$$

for noncircular heads and covers.

Fig. PG-31, illustrations (m), (n), and (o):  $C = 0.3$  for a circular plate inserted into the end of a shell, pipe, or header and held in place by a positive mechanical locking arrangement, and when all possible means of failure either by shear, tension, compression, or radial deformation, including flaring, resulting from pressure and differential thermal expansion, are resisted with a factor of safety of at least 4. Seal welding may be used, if desired.

Fig. PG-31, illustration (p):  $C = 0.25$  for circular and noncircular covers bolted with a full-face gasket to shell, flanges, or side plates.

Fig. PG-31, illustration (q):  $C = 0.75$  for circular plates screwed into the end of a shell, pipe, or header having an inside diameter  $d$  not exceeding 12 in. (300 mm); or for heads having an integral flange screwed over the end of a shell, pipe, or header having an inside diameter  $d$  not exceeding 12 in. (300 mm); and when the design of the threaded joint against failure by shear, tension, compression, or radial deformation, including flaring, resulting from pressure and differential thermal expansion, is based on a factor of safety of at least 4. If a tapered pipe thread is used, the requirements of Table PG-39 shall be met. Seal welding may be used, if desired.

Fig. PG-31, illustration (r):  $C = 0.33$  for circular plates having a dimension  $d$  not exceeding 18 in. (450 mm) inserted into the shell, pipe, or header and welded as shown, and otherwise meeting the requirements for welded boiler drums including postweld heat treatment but omitting volumetric examination. The end of the shell, pipe, or header shall be crimped over at least 30 deg, but not more than 45 deg. The crimping may be done cold only when this operation will not injure the metal. The throat of the weld shall be not less than the thickness of the flat head or the shell, pipe, or header, whichever is greater.

Fig. PG-31, illustration (s):  $C = 0.33$  for circular beveled plates having a diameter,  $d$ , not exceeding 18 in. (450 mm) inserted into a shell, pipe, or header, the end of which is crimped over at least 30 deg, but not more than 45 deg, and when the undercutting for seating leaves at least 80% of the shell thickness. The beveling shall be not less than 75% of the head thickness. The crimping shall be done when the entire circumference of the cylinder is uniformly heated to the proper forging temperature for the material used. For this construction, the ratio  $t_s/d$  shall be not less

than the ratio  $P/S$  nor less than 0.05. The maximum allowable working pressure for this construction shall not exceed  $P = 5S/d$  ( $P = 125S/d$ ).

## OPENINGS AND COMPENSATION<sup>16</sup>

### PG-32 OPENINGS IN SHELLS, HEADERS, AND DISHED HEADS

**PG-32.1** The rules for openings and compensation in PG-32 through PG-39 shall apply to all openings in shells, headers, and dished heads except as otherwise provided in PG-29.3, PG-29.7, PG-29.12, PG-32.1.2, PG-32.1.4, PG-32.1.5, and PFT-40.

**PG-32.1.1** The notations used throughout PG-32.1 are defined as follows:

- $A, B$  = the finished opening diameters of any two finished openings under consideration, in. (mm) (see  $d$  below)
- $D$  = the outside diameter of the shell, header, or dished head containing the opening, in. (mm)
- $d$  = diameter of a finished opening, in. (mm) (see PG-33.3)
- $d_{\max.}$  = the maximum permissible finished opening diameter for an uncompensated opening, in. (mm) (see PG-32.1.2)
- $K = PD/1.82 St$  (where  $K$  shall not exceed 0.990)
- $L_h$  = the distance between centers of the two openings measured on the surface of the dished head
- $L_s$  = the distance between centers of the two openings measured on the surface of the shell or header
- $P$  = the maximum allowable working pressure
- $S$  = the maximum allowable stress value, taken from Tables 1A and 1B of Section II, Part D
- $t$  = the nominal thickness of the head, shell, or header, in. (mm)
- $X$  = the limits of compensation parallel to the vessel wall (see PG-36.2)

**PG-32.1.2** Groups of openings may be designed in accordance with the rules for ligaments in PG-52 or PG-53, provided the diameter of the largest finished opening within the group does not exceed that permitted by the following:

(U.S. Customary Units)

$$d_{\max.} = 2.75 [Dt (1 - K)]^{1/3}$$

(SI Units)

$$d_{\max.} = 8.08 [Dt (1 - K)]^{1/3}$$

<sup>16</sup> The rules governing openings as given in this Code are based on the stress intensification created by the existence of a hole in an otherwise symmetrical section. They are based on experience with vessels designed with safety factors of 4 and 5 applied to the specified minimum tensile strength of the shell material. External loadings such as those due to thermal expansion or to unsupported weight of connecting piping have not been evaluated. These factors should be given attention in unusual designs or under conditions of cyclic loading.

Multiple openings that are not designed as ligaments shall comply with PG-38.

**PG-32.1.3 Single Openings.** Single openings are defined as openings that have a minimum center-to-center distance between adjacent openings not less than  $L_h$  or  $L_s$ , where

$$L_h = \frac{A + B}{2(1 - K)} \text{ and } L_s = 2X$$

**PG-32.1.4 Openings in Shells and Headers.** No calculation need be made to determine the availability of compensation for a single opening, not covered by PG-38, PG-52, or PG-53 in shells or headers when the diameter of the finished opening,  $d$ , as defined in PG-33.3 does not exceed the larger of either

- (a) one-fourth the inside diameter of the shell or header, nor  $2\frac{3}{8}$  in. (60 mm), or
- (b) the value of  $d_{\max.}$  calculated in PG-32.1.2 for single openings not addressed in (a) above.

**PG-32.1.5 Openings in Dished Heads.** No calculation need be made to determine the availability of compensation for a single opening in dished heads under the same conditions stipulated for openings in shells and headers in PG-32.1.4, provided the following additional requirements are met.

**PG-32.1.5.1** The openings shall be located completely within the center portion of a dished head bounded by the tangent line between the spherically dished portion and the knuckle radius, but not closer than the thickness of the head to the edge of this circle or to a flanged-in manway. For a 2:1 ellipsoidal head, the opening shall be located completely within the center portion of the head bounded by a circle equal to 80% of the inside diameter, but not closer than the thickness of the head to the edge of this circle.

**PG-32.1.5.2** For dished heads other than full-hemispherical heads, the maximum allowable opening diameter shall not exceed that permitted in PG-32.1.4 for an equivalent shell constructed of the same material, having the same outside diameter as the flange of the head, and the same maximum allowable working pressure as the head.

**PG-32.1.5.3** For full-hemispherical heads, the maximum allowable opening diameter shall not exceed that permitted in PG-32.1.4 for an equivalent shell constructed of the same material, having the same outside diameter as the flange of the head, and the same maximum allowable working pressure as the head; where the value of  $K$  used in the calculations of PG-32.1.2 shall be one-half the value calculated by the equation in PG-32.1.1.

**PG-32.2 Shape of Openings**<sup>17</sup>

**PG-32.2.1** Openings in cylindrical portions of vessels or in formed heads shall preferably be circular, elliptical, or obround.<sup>18</sup>

When the long dimension of an elliptical or obround opening exceeds twice the short dimension, the compensation across the short dimension shall be increased as necessary to provide against excessive distortion due to twisting moment.

**PG-32.2.2** Openings may be of other shapes than those given in PG-32.2.1, and all corners shall be provided with a suitable radius. When the openings are of such proportions that their strength cannot be computed with assurance of accuracy, or when doubt exists as to the safety of a vessel with such openings, the part of the vessel affected shall be subjected to a proof hydrostatic test as prescribed in PG-18.

**PG-32.3 Size of Openings**

**PG-32.3.1** Properly reinforced openings in cylindrical and spherical shells are not limited as to size and shall comply with the provisions that follow, and with the additional provisions given under PG-32.3.2.

**PG-32.3.2** The rules given herein for compensation apply to openings not exceeding the following dimensions:

(a) for vessels 60 in. (1 500 mm) in diameter and less,  $\frac{1}{2}$  the vessel diameter but not over 20 in. (500 mm)

(b) for vessels over 60 in. (1 500 mm) in diameter,  $\frac{1}{3}$  the vessel diameter but not over 40 in. (1 000 mm)

**PG-32.3.3** Larger openings should be given special attention and may be provided with compensation in any suitable manner that complies with the intent of the Code rules. It is recommended that the compensation provided be distributed close to the opening. (A provision of about two-thirds of the required compensation within a distance of one-fourth of the nozzle diameter on each side of the finished opening is suggested.) Special consideration should be given to the fabrication details used and the inspection employed on critical openings; compensation often may be advantageously obtained by use of a thicker shell plate for a vessel course or inserted locally around the opening; welds may be ground to concave contour and the inside corners of the opening rounded to a generous radius to reduce stress concentrations. Appropriate proof testing may be advisable in extreme cases of large openings approaching full vessel diameter, openings of unusual shape, etc.

<sup>17</sup> The opening made by a pipe or a circular nozzle, the axis of which is not perpendicular to the vessel wall or head, may be considered an elliptical opening for design purposes.

<sup>18</sup> An obround opening is one which is formed by two parallel sides and semicircular ends.

**PG-33 COMPENSATION REQUIRED FOR OPENINGS IN SHELLS AND DISHED HEADS**

**PG-33.1 General.** The rules in this subparagraph apply to all openings other than flanged-in openings in dished heads covered by PG-29.3, PG-29.7, and PG-29.12; openings in flat heads covered by PG-35; and openings covered within PG-32.1.2, PG-32.1.4, and PG-32.1.5.

When required, compensation shall be provided in such amount and distribution that the requirements for area of compensation are satisfied for all planes through the center of the opening and normal to the vessel surface. For a circular opening in a cylindrical shell, the plane containing the axis of the shell is the plane of greatest loading due to pressure.

**PG-33.2 Area Required.** The total cross-sectional area of compensation required in any given plane for a vessel under internal pressure shall be not less than  $A$ , as defined in Fig. PG-33.1.

**PG-33.3** The notation used in this paragraph is defined as follows:

$d$  = diameter in the plane under consideration of the finished opening (see Fig. PG-33.2)

= the maximum diameter of the threads, in the plane under consideration, in the finished opening, for inside tapped NPT fittings

$D_p$  = outside diameter of reinforcing element (The actual size of reinforcing element may exceed the limits of reinforcement established by PG-36; however, credit cannot be taken for any material outside these limits.)

$F$  = factor from PG-33 and Fig. PG-33.3, which compensates for the variation in pressure stresses on different planes with respect to the longitudinal axis of a cylindrical shell.  $F = 1.0$  for formed or flat heads.

$f_r$  = strength reduction factor, not greater than 1.0 (see Fig. PG-33.1)

$f_{r1}$  =  $S_n/S_v$  for nozzle wall inserted through the vessel wall

$f_{r2}$  = (lesser of  $S_n$  or  $S_p$ )/ $S_v$

$f_{r3}$  =  $S_p/S_v$

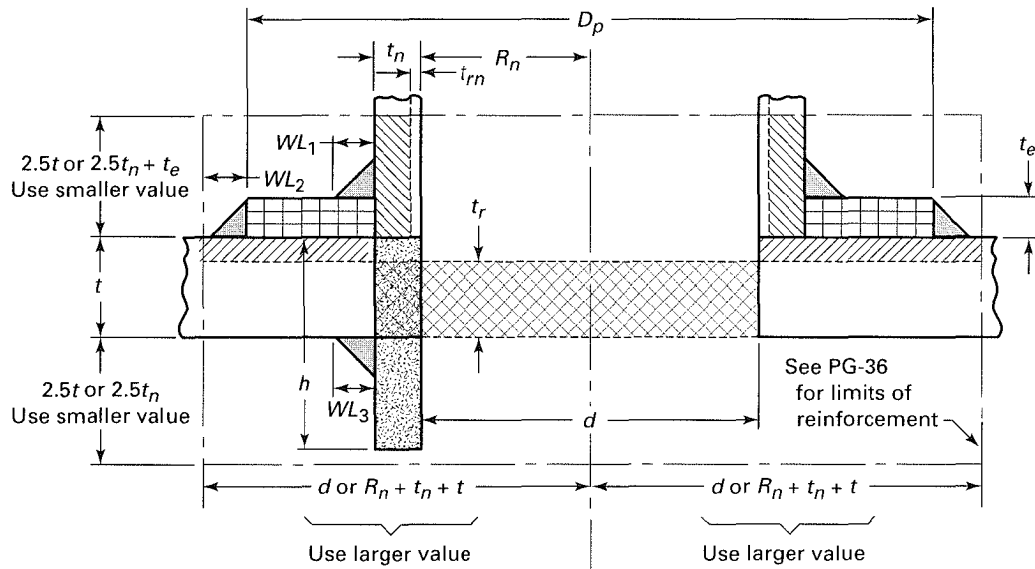
$h$  = distance nozzle projects inward from the outer surface of the vessel wall (Extension of the nozzle beyond the inside surface of the vessel wall is not limited; however, for reinforcement calculations, credit shall not be taken for material outside the limits of reinforcement established by PG-36.)

$R_n$  = inside radius of the nozzle under consideration

$S$  = allowable stress value in tension (from Tables 1A and 1B of Section II, Part D)

$S_n$  = allowable stress in nozzle (see  $S$ )

FIG. PG-33.1 NOMENCLATURE AND FORMULAS FOR REINFORCED OPENINGS



For nozzle wall inserted through the vessel wall      For nozzle wall abutting the vessel wall

Notes for set through nozzles, A extends to the nozzle O.D.

Area required



$$A = (d + 2t_n)t_r F$$

$$A = dt_r F$$

Area available in shell; use larger value



$$A_1 \begin{cases} = (d - 2t_n)(t - Ft_r) \\ = 2t(t - Ft_r) \end{cases}$$

$$A_1 \begin{cases} = d(t - Ft_r) \\ = 2(t + t_n)(t - Ft_r) \end{cases}$$

Area available in nozzle projecting outward; use smaller value



$$A_2 \begin{cases} = 2(t_n - t_{rn})(2^{1/2}t_f r_1) \\ = 2(t_n - t_{rn})(2^{1/2}t_n + t_e)f_{r1} \end{cases}$$

$$A_2 \begin{cases} = 2(t_n - t_{rn})(2^{1/2}t_f r_1) \\ = 2(t_n - t_{rn})(2^{1/2}t_n + t_e)f_{r1} \end{cases}$$

Area available in nozzle projecting inward



$$A_3 = 2t_n f_{r1} h$$

$$A_3 = 0$$

Area available in outward nozzle weld



$$A_{41} = (WL_1)^2 f_{r2}$$

$$A_{41} = (WL_1)^2 f_{r2}$$

Area available in inward nozzle weld



$$A_{43} = (WL_3)^2 f_{r1}$$

$$A_{43} = 0$$

If  $A_1 + A_2 + A_3 + A_{41} + A_{43} > A$  ————— Opening is adequately reinforced

If  $A_1 + A_2 + A_3 + A_{41} + A_{43} < A$  ————— Opening is not adequately reinforced so reinforcing elements must be added and/or thickness must be increased

With reinforcing element added:

Area available in outer element weld



$$A_{42} = (WL_2)^2 f_{r3}$$

$$A_{42} = (WL_2)^2 f_{r3}$$

Area available in element [Note (1)]



$$A_5 = (D_p - d - 2t_n)t_e f_{r3}$$

$$A_5 = (D_p - d - 2t_n)t_e f_{r3}$$

If  $A_1 + A_2 + A_3 + A_{41} + A_{42} + A_{43} + A_5 > A$  ————— Opening is adequately reinforced

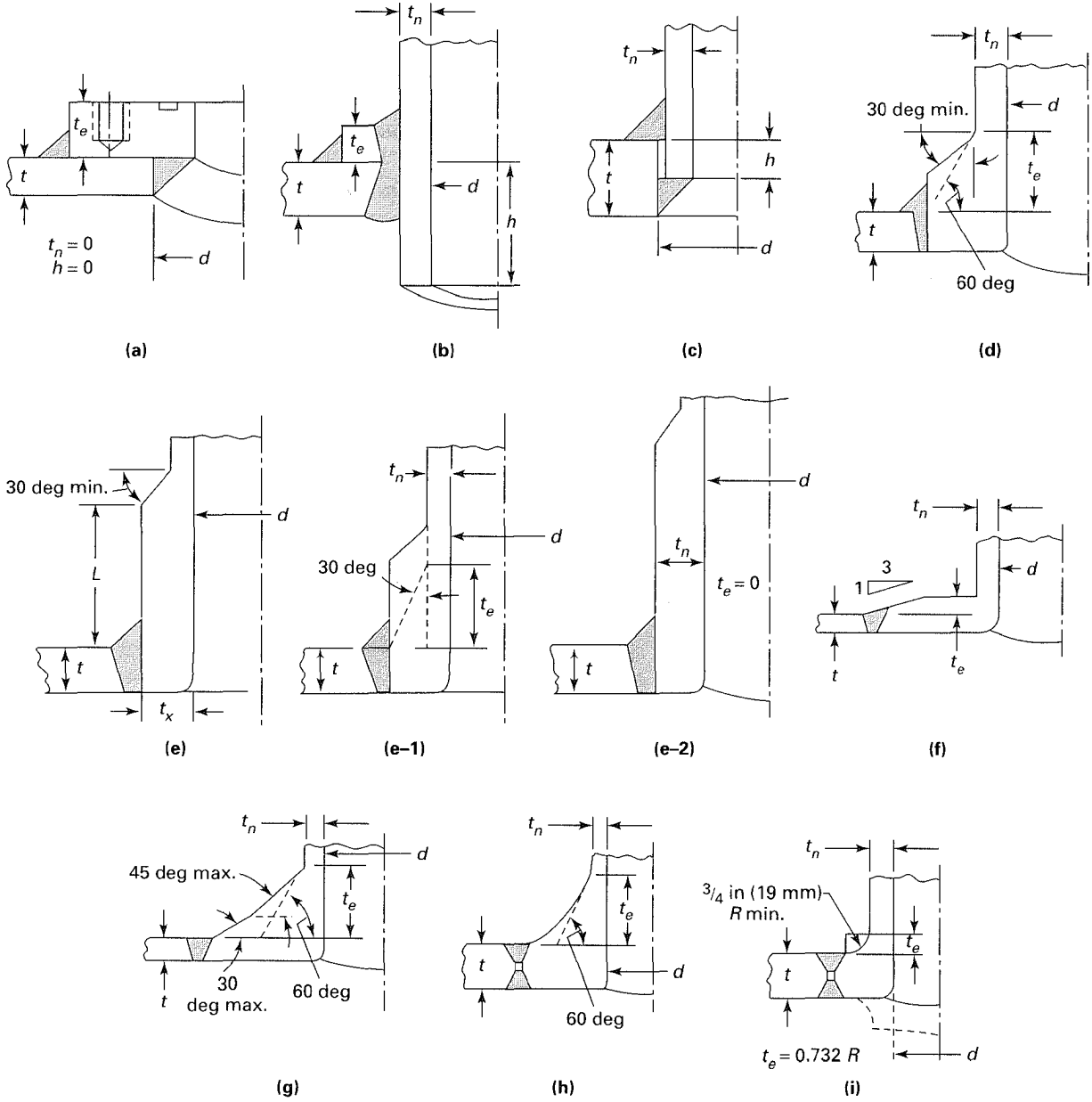
GENERAL NOTES:

- (a) This figure illustrates common nozzle configurations and is not intended to prohibit other configurations permitted by the Code.
- (b) See PG-33.3 and PG-36 for definitions of nomenclature.

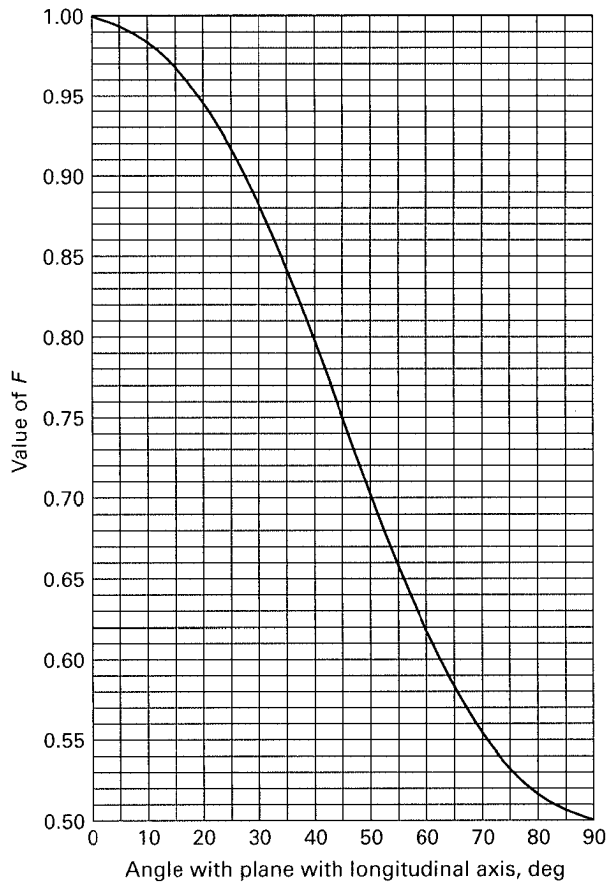
NOTE:

- (1) This formula is applicable for a rectangular cross-sectional element that falls within the limits of reinforcement.

FIG. PG-33.2 SOME REPRESENTATIVE CONFIGURATIONS DESCRIBING THE DIMENSIONS  $t_e$ ,  $h$ , and  $d$



GENERAL NOTES: Use illustration (e) to determine whether illustration (e-1) or (e-2) applies:  
 (a) If  $L < 2.5 t_x$ , use illustration (e-1).  
 (b) If  $L \geq 2.5 t_x$ , use illustration (e-2).  
 (c) The 30 deg min. transition shown at illustration (e) is typical for illustrations (e-1) and (e-2).

FIG. PG-33.3 CHART FOR DETERMINING VALUE OF  $F$ 

GENERAL NOTE:  $F = 1 - 0.5 \sin^2 \theta$

$S_p$  = allowable stress in reinforcing element (plate)  
(see  $S$ )

$S_v$  = allowable stress in vessel (see  $S$ )

$t$  = thickness of the vessel wall

$t_e$  = thickness of attached reinforcing pad or height of the largest 60 deg right triangle supported by the vessel and nozzle outside diameter projected surfaces and lying completely within the area of integral reinforcement (see Fig. PG-33.2)

$t_n$  = nominal thickness of nozzle wall

$t_r$  = required thickness of a seamless shell or head computed by the rules of the Code for the designated pressure, except when

(a) the opening and its compensation are in a torispherical head and are entirely within the spherical portion;  $t_r$  is the thickness required for a seamless hemispherical head of the same radius as that of the spherical portion

(b) the opening and its compensation are in an ellipsoidal head in which one-half of the minor axis is equal to one-fourth of the inside diameter,

and are located entirely within a circle the center of which coincides with the center of the head and the diameter of which is equal to 80% of the shell inside diameter,  $t_r$  is the thickness required for a seamless hemispherical head of radius equal to 90% of the inside diameter of the shell

$t_m$  = required thickness of seamless nozzle wall; found by the formula used for  $t_r$  for the shell, omitting the  $C$  factor (The value of  $S$  used in determining  $t_m$  shall be based on the nozzle material). The value of  $t_m$  shall be taken as zero for the entire wall of manhole and handhole rings projecting internally with the cover on the inside.

### PG-34 FLANGED-IN OPENINGS IN FORMED HEADS

**PG-34.1** All openings in torispherical, ellipsoidal, and hemispherical heads shall be provided with reinforcement in accordance with PG-33, except for heads that meet the requirements in PG-34.2 and PG-29.3, PG-29.7, and PG-29.12.

**PG-34.2** A flanged-in manhole opening in a dished head shall be flanged to a depth of not less than three times the required thickness of the head for plate up to  $1\frac{1}{2}$  in. (38 mm) in thickness. For plate exceeding  $1\frac{1}{2}$  in. (38 mm) in thickness, the depth shall be the thickness of the plate plus 3 in. (75 mm). The depth of flange shall be determined by placing a straight edge across the outside opening along the major axis and measuring from the straight edge to the edge of the flanged opening. A manhole opening may be compensated by a manhole ring or other attachment in place of flanging in accordance with PG-33.

### PG-35 COMPENSATION REQUIRED FOR OPENINGS IN FLAT UNSTAYED HEADS AND FLAT STAYED PLATES

**PG-35.1 General.** The rules in this paragraph apply to all openings other than small openings covered by PG-32.1.4.

**PG-35.2** Flat unstayed heads that have an opening with a diameter that does not exceed one-half of the head diameter or shortest span, as defined in PG-31, shall have a total cross-sectional area of compensation not less than 0.5 times the required area specified in PG-33.2.

As an alternative, the thickness may be increased to provide the necessary openings compensation as specified in PG-35.2.1 and PG-35.2.2

**PG-35.2.1** By using  $2C$  or  $0.75$  in place of  $C$ , whichever is less, in eq. (1) or (3) for calculating head thickness in PG-31.3 or



**PG-35.2.2** In eq. (2) or (5) by doubling the quantity under the square root sign.

**PG-35.3** Flat unstayed heads that have an opening with a diameter that exceeds one-half of the head diameter or shortest span, as defined in PG-31.3, shall be designed as provided in PG-16.1.

**PG-35.4** Openings in flat stayed plates such as waterlegs and tubesheets of firetube boilers shall have a total cross-sectional area of compensation not less than  $0.5dt$ , where

$d$  = for circular openings, the diameter of the finished opening; for elliptical openings, the major axis of the finished opening; or for other shapes, the maximum span

$t$  = the required thickness for the stayed surface calculated in accordance with PG-46 using the maximum distance between stays, tubes, or other support in the area where the opening resides

## **PG-36 LIMITS OF METAL AVAILABLE FOR COMPENSATION**

**PG-36.1** The boundaries of the cross-sectional area in any plane normal to the vessel wall and passing through the center of the opening within which area metal must be located in order to have value as compensation are designated as the limits of compensation for that plane (see Fig. PG-33.1).

**PG-36.2** The limits of compensation, measured parallel to the vessel wall, shall be at a distance, on each side of the axis of the opening, equal to the greater of the following:

**PG-36.2.1** The diameter of the finished opening.

**PG-36.2.2** The radius of the finished opening plus the thickness of the vessel wall, plus the thickness of the nozzle wall.

**PG-36.3** The limits of compensation, measured normal to the vessel wall, shall conform to the contour of the surface at a distance from each surface equal to the smaller of the following:

**PG-36.3.1**  $2\frac{1}{2}$  times the nominal shell thickness.

**PG-36.3.2**  $2\frac{1}{2}$  times the nozzle-wall thickness plus the thickness of any added compensation, exclusive of weld metal on the side of the shell under consideration.

**PG-36.4** Metal within the limits of reinforcement that may be considered to have reinforcing value shall include the following:

**PG-36.4.1** Metal in the vessel wall over and above the thickness required to resist pressure. The area of the vessel wall available as compensation is the larger of the values of  $A_1$  given by the formulas shown in Fig. PG-33.1.

**PG-36.4.2** Metal over and above the thickness required to resist pressure in that part of a nozzle wall extending outside the vessel wall. The maximum area in the nozzle wall available as compensation is the smaller of the values of  $A_2$  given by the formulas shown in Fig. PG-33.1.

All metal in the nozzle wall extending inside the vessel wall may be included. No allowance shall be taken for the fact that a differential pressure on an inwardly extending nozzle may cause opposing stress to that of the stress in the shell around the opening.

**PG-36.4.3** Metal added as compensation (continuously about the nozzle) when welded to both the vessel and nozzle, and metal provided in attachment welds.

**PG-36.5** Typical examples of the application of the above rules are presented in A-65 through A-69.

## **PG-37 STRENGTH OF COMPENSATION**

**PG-37.1** Material used for compensation shall have an allowable stress value equal to or greater than that of the material in the vessel wall, except that material of lower strength may be used provided the area of compensation is increased in inverse proportion to the ratio of the allowable stress values of the two materials to compensate for the lower allowable stress value of the compensation. No credit may be taken for the additional strength of any compensation having a higher allowable stress value than that of the vessel wall. Deposited weld metal outside of either the vessel wall or any reinforcing pad used as reinforcement shall be credited with an allowable stress value equivalent to the weaker of the materials connected by the weld. Vessel-to-nozzle or pad-to-nozzle attachment weld metal within the vessel wall or within the pad may be credited with a stress value equal to that of the vessel wall or pad, respectively.

**PG-37.2** The welds that attach elements of compensation that are not an integral part of the vessel wall shall have a strength,  $W$ , not less than the load carried by those elements defined as follows:

$$W = (A - A_1) S_v$$

where  $A$ ,  $A_1$ , and  $S_v$  are defined in PG-33.3 and Fig. PG-33.1.

**PG-37.3** When a reinforcing pad is required by the rules of PG-33, the welds attaching the nozzle to the pad and shell shall be checked independently to assure that the loads carried by the individual elements can be transmitted by the attaching welds. For detailed requirements and examples of calculating the strength of welds, see PW-15.

**PG-37.4** Welds attaching elements of compensation need not satisfy the weld strength requirements of PG-37.2 under the following circumstances:

(a) openings that are exempt in PG-32 from compensation calculations

(b) openings designed by ligaments rules of PG-52 and PG-53 and/or

(c) openings with elements of compensation attached by full penetration welds as listed in PW-15.1.6

**PG-37.5** The minimum weld sizes shall not be smaller than the minimum required by PW-16.

**PG-38 COMPENSATION FOR MULTIPLE OPENINGS**

(10) **PG-38.1** When any two adjacent openings that require compensation are spaced at less than two times the distance defined in PG-36.2 so that their limits of compensation overlap, the two openings (or similarly for any larger group of openings) shall be compensated in accordance with PG-33 with a compensation that has an area equal to the combined area of the compensation required for the separate openings. No portion of the cross section shall be considered as applying to more than one opening, or be evaluated more than once in a combined area.

**PG-38.2** Two adjacent openings shall have a distance between centers not less than  $1\frac{1}{3}$  times their average diameter.

**PG-38.3** When a group of openings is provided with compensation by a thicker section butt welded into the shell or head, the edges of the inserted section shall be tapered as prescribed in PW-9.3.

**PG-38.4** When a shell or drum has a series of holes in a definite pattern, the net cross-sectional area between any two finished openings within the limits of the actual shell wall, excluding the portion of the compensation not fused to the shell wall, shall equal at least  $0.7F$  of the cross-sectional area obtained by multiplying the center-to-center distance of the openings by the required thickness of a seamless shell, where the factor  $F$  is taken from Fig. PG-33.3 for the plane under consideration (see Fig. PG-38).

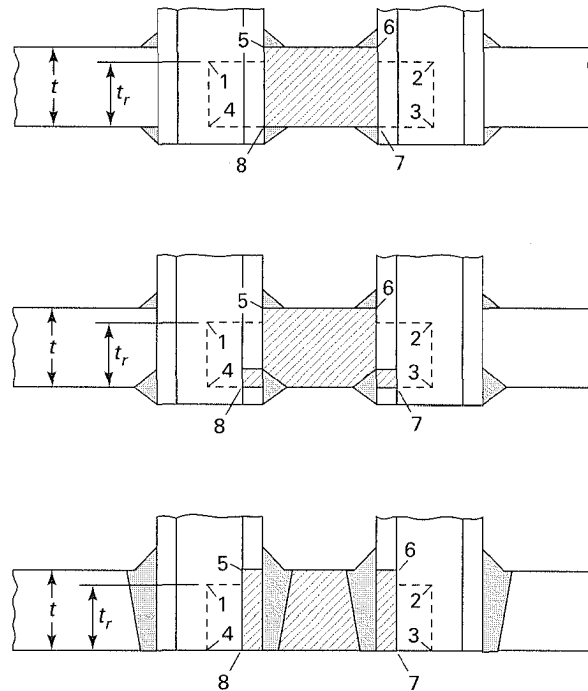
**PG-39 METHODS OF ATTACHMENT OF PIPE AND NOZZLE NECKS TO VESSEL WALLS**

**PG-39.1 General.** Except as limited in PG-32, nozzles may be attached to the shell or head of a vessel by any of the methods of attachment given in this paragraph.

**PG-39.2 Welded Connections.** Attachment by welding shall be in accordance with the requirements of PW-15 and PW-16.

**PG-39.4 Studded Connections.** Connections may be made by means of bolt studs. The vessel shall have a flat

FIG. PG-38 ILLUSTRATIONS OF THE RULE GIVEN IN PG-38.4



GENERAL NOTE: The cross-sectional area represented by 5, 6, 7, and 8 shall be at least equal to the area of the rectangle represented by 1, 2, 3, and 4 multiplied by  $0.7F$ , in which  $F$  is a value from Fig. PG-33.3 and  $t_r$  is the required thickness of a seamless shell.

surface machined on the shell, or on a built-up pad, or on a properly attached plate or fitting. Drilled holes to be tapped for straight threads shall not penetrate within one-fourth of the wall thickness from the inside surface of the vessel, unless at least the minimum thickness required as above is maintained by adding metal to the inside surface of the vessel. Where tapped holes are provided for studs, the threads shall be full and clean and shall engage the stud for a length not less than the larger of  $d_s$  or

$$0.75d_s \times \frac{\text{Maximum allowable stress value of stud material at design temperature}}{\text{Maximum allowable stress value of tapped material at design temperature}}$$

in which  $d_s$  is the diameter of the stud, except that the thread engagement need not exceed  $1\frac{1}{2}d_s$ . Studded connections shall meet the requirements for compensation. No credit for compensation shall be allowed for any areas attached by studs only.

**PG-39.5 Threaded Connections**

**PG-39.5.1** Where a threaded connection is to be made to a boiler component it shall be into a threaded hole. The threads shall conform to the requirements of ASME B1.20.1 and provide for the pipe to engage the

TABLE PG-39  
MINIMUM NUMBER OF THREADS PER CONNECTION

U.S. Customary Units								
Pressure up to and including 300 psi								
Size of pipe connection (NPS)	...	1 & 1¼	1½ & 2	2½ to 4	5 & 6	8	10	12
Threads engaged	...	4	5	7	8	10	12	13
Min. plate thickness required, in.	...	0.348	0.435	0.875	1.0	1.25	1.5	1.625
Pressures above 300 psi								
Size of pipe connection, (NPS)	½ & ¾	1 to 1½	2	2½ & 3	4 to 6	8	10	12
Threads engaged	6	7	8	8	10	12	13	14
Min. plate thickness, required, in.	0.43	0.61	0.70	1.0	1.25	1.5	1.62	1.75
SI Units								
Pressure up to and including 2 MPa								
Size of pipe connection (DN)	...	25 & 32	40 & 50	65 to 100	125 & 150	200	250	300
Threads engaged	...	4	5	7	8	10	12	13
Min. plate thickness required (mm)	...	9	11	22	25	32	38	41
Pressures above 2 MPa								
Size of pipe connection (DN)	15 & 20	25 to 40	50	65 & 80	100 to 150	200	250	300
Threads engaged	6	7	8	8	10	12	13	14
Min. plate thickness, required (mm)	11	16	18	25	32	38	41	44

minimum number of threads specified in Table PG-39 after allowance has been made for curvature of the vessel wall. A built-up pad or properly attached plate or fitting may be used to provide the metal thickness and number of threads required in Table PG-39, or to furnish compensation when required.

**PG-39.5.2** Threaded joints for boiler connections for external piping shall be in accordance with the following size and pressure limitations and shall not be used where the temperature exceeds 925°F (495°C).

Maximum Size, NPS (DN)	Maximum Pressure, psi (MPa)
3 (80)	400 (3)
2 (50)	600 (4)
1 (25)	1,200 (8)
¾ (20) and smaller	1,500 (10)

**PG-39.5.3** Threaded connections for plug closures used for inspection openings, end closures, and similar purposes may be used within the size and pressure limitations of Table PG-39.

**PG-39.6 Expanded Connections.** Provided the requirements for compensation are met, a pipe, tube, or forging not exceeding 6 in. (150 mm) in outside diameter may be attached to shells, heads, headers, or fittings by inserting through an opening and expanding in accordance with the rules for tube attachment in Parts PWT and PFT, whichever is applicable.

The sharp edges left in drilling tube holes shall be removed on both sides of the plate with a file or other tool.

The inner surface of the tube hole in any form of attachment may be grooved or chamfered.

**PG-39.7** All welded connections shall be postweld heat treated after attachment unless specifically allowed otherwise.

## PG-42 GENERAL REQUIREMENTS FOR FITTINGS, FLANGES, AND VALVES

**PG-42.1 Applicable ASME Standards.** Except when supplied as miscellaneous pressure parts under the provisions of PG-11, all fittings, flanges, and valves shall meet the requirements of the following ASME Standards, including the restrictions contained within the standards, and any noted as part of this Code. The product standard establishes the basis for pressure-temperature rating and marking.

**PG-42.1.1** ASME B16.1, Cast Iron Pipe Flanges and Flanged Fittings<sup>19</sup>

**PG-42.1.3** ASME B16.3, Malleable Iron Threaded Fittings, Classes 150 (PN 20) and 300 (PN 50)

**PG-42.1.4** ASME B16.4, Gray Iron Threaded Fittings

**PG-42.1.5** ASME B16.5, Pipe Flanges and Flanged Fittings (see PG-42.2)

**PG-42.1.5.1** Pressure-Temperature Ratings per Table 2

<sup>19</sup> Classes 25 and 800 are not applicable to Section I.

**PG-42.1.5.2** Facing Dimensions (other than ring-joint) per Table 4

**PG-42.1.5.3** Facing Dimensions for Ring-Joint Flanges per Table 5

**PG-42.1.5.4** Dimensions of Flanges for Pressure Rating Classes per Tables 8 through 28

**PG-42.1.6** ASME B16.9, Factory-Made Wrought Steel Butt Welding Fittings

When pressure ratings are established under the provisions of para. 2.1 of ASME B16.9 they shall be calculated as for straight seamless pipe in accordance with ASME B31.1. Parts such as lap-joint stub ends fabricated by welding with filler metal added may not be used in Code Construction, unless they are fabricated in accordance with PG-11.3.

**PG-42.1.7** ASME B16.11, Forged Fittings, Socket-Welding and Threaded (see PG-42.2)

**PG-42.1.8** ASME B16.15, Cast Copper Alloy Threaded Fittings, Classes 125 and 250 (see PG-8.4 and PG-42.4.11)

**PG-42.1.9** ASME B16.20, Metallic Gaskets for Pipe Flanges: Ring-Joint, Spiral-Wound, and Jacketed

**PG-42.1.10** ASME B16.24, Cast Copper Alloy Pipe Flanges and Flanged Fittings (see PG-8.4)

**PG-42.1.11** ASME B16.25, Butt Welding Ends

**PG-42.1.12** ASME B16.34, Valves — Flanged, Threaded, and Welding End (see PG-42.2 and PG-42.4.3)

**PG-42.1.14** ASME B16.42, Ductile Iron Pipe Flanges and Flanged Fittings, Classes 150 (PN 20) and 300 (PN 50) (see PG-8.3)

**PG-42.2 Marking.** All valves and fittings shall be marked with the name, trademark, or other identification of the manufacturer and the primary service pressure rating except that the pressure rating marking may be omitted from:

**PG-42.2.1** Cast iron threaded fittings for Class 125 (PN 20) working pressure

**PG-42.2.2** Malleable iron threaded fittings for Class 150 (PN 20) working pressure

**PG-42.2.3** Nonferrous threaded fittings for Classes 125 (PN 20) and 250 (PN 50) working pressure

**PG-42.2.4** Cast iron and nonferrous companion flanges

**PG-42.2.5** Additional markings for butt welding fittings, as called for by several Code Standards for all valves and fittings, are recommended if the size and shape of the valve or fitting permit.

**PG-42.3 Flange Materials.** Flanges shall be made of materials permitted by this Section or of materials specifically listed in the applicable product standards listed in

PG-42.1, but not of materials specifically prohibited or beyond the use limitations listed in this Section. Rolled or forged flanges may be made from material conforming to any forging specification among these permitted materials, except that SA-181 shall not be used for flanges whose pressure rating is higher than Class 300 (PN 50). Hub-type flanges shall not be cut or machined from plate material.

**PG-42.4 Additional Requirements.** Flanges made of other materials permitted under this Section shall be at least equal to the strength requirements, and the facing dimensions and bolt circles shall agree with the Standard otherwise required.

**PG-42.4.1** The thickness of all fitting and valve bodies subject to pressure shall be not less than that required by the applicable ASME Standard listed in PG-42.1 for the corresponding maximum allowable working pressure and temperature for the material used. The cylindrical ends of cast steel welding end valves and fittings conforming to ASME B16.5 or B16.34 may be proportioned with a casting quality factor of 100% provided these areas are finish-machined both inside and outside, are carefully inspected, and that the contour of the welding end transition complies with PG-42.4.2.

**PG-42.4.2** The welding ends of component bodies such as fittings and valves, whether constructed of cast products, wrought products, or any other fabrication process acceptable under the Code, shall provide a gradual change in thickness from that of the adjoining pipe to that of the component body. Any configuration of weld end transition that lies entirely within the envelope shown in Fig. PG-42.1 is acceptable, provided that

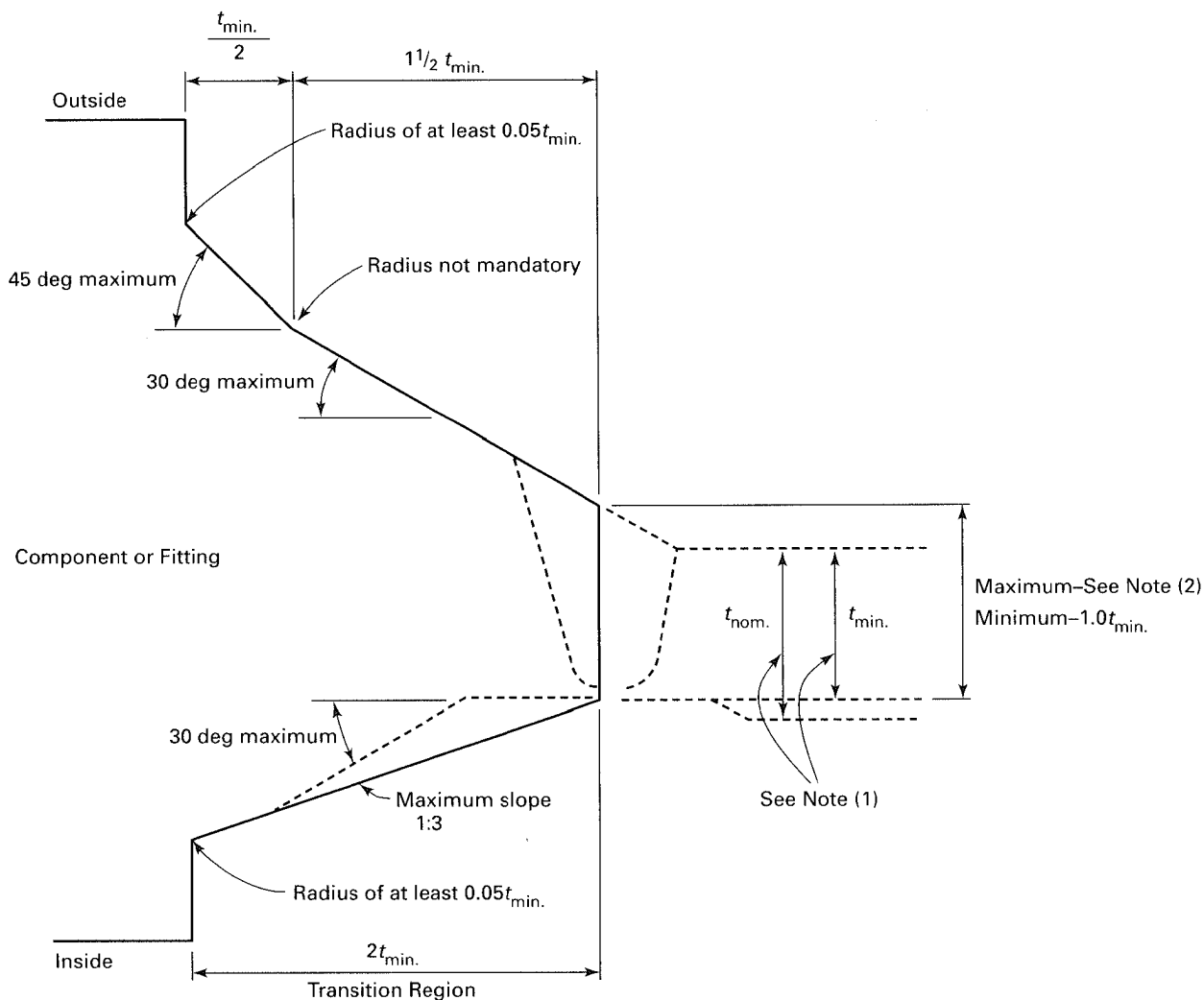
(a) the wall thickness in the transition region is not less than the smaller of the fitting or valve thickness required by PG-42.4.1 or the minimum value of the pipe thickness  $t_{\min}$  defined under Fig. PG-42.1.

(b) the transition region including the weld joint shall avoid sharp reentrant angles and abrupt changes in slope. When the included angle between any two adjoining surfaces of a taper transition is less than 150 deg, the intersection or corner (except for the weld reinforcement) shall be provided with a radius of at least  $0.05t_{\min}$ .

The configurations and tolerances suggested by such weld end standards as ASME B16.9 and ASME B16.25 are acceptable only to the extent that the resulting product and weld joint will comply with these requirements of PG-42.4.2. In Fig. PG-42.1 the thickness in the plane at the end of the fitting or valve shall not be less than  $t_{\min}$  and shall not exceed a maximum of either: the greater of [ $t_{\min} + 0.15$  in. (4 mm)] or  $1.15t_{\min}$  when ordered on a minimum wall basis, or the greater of [ $t_{\min} + 0.15$  in. (4 mm)] or  $1.10t_{\text{nom}}$  when ordered on a nominal wall basis.

**PG-42.4.3** Fittings in which there are minor changes in the center-to-face dimensions or in which the angles of

FIG. PG-42.1 WELDING END TRANSITIONS MAXIMUM ENVELOPE



GENERAL NOTES:

- (a) Weld bevel is shown for illustration only.
- (b) The weld reinforcement permitted by PW-35 may be outside the maximum envelope.

NOTES:

- (1) The value of  $t_{min}$  is whichever of the following is applicable:
  - (a) the minimum ordered wall thickness of the pipe; or
  - (b) the minimum ordered wall thickness of the tube; or
  - (c) 0.875 times the nominal wall thickness of pipe ordered to a pipe schedule wall thickness that has an undertolerance of 12.5%; or
  - (d) the minimum ordered wall thickness of the cylindrical welding end of a component or fitting (or the thinner of the two) when the joint is between two components.
- (2) The maximum thickness at the end of the component is:
  - (a) the greater of  $[t_{min} + 0.15 \text{ in. (4mm)}]$  or  $1.15 t_{min}$ , when ordered on a minimum wall basis;
  - (b) the greater of  $[t_{min} + 0.15 \text{ in. (4mm)}]$  or  $1.10 t_{nom}$ , when ordered on a nominal wall basis.

elbows differ from those given in an ASME Standard in PG-42.1 may be considered to fall within the scope of the standard provided the other requirements for materials, dimensions, and thickness are met.

**PG-42.4.4** Flanges and flanged fittings meeting the requirements of ASME B16.5 or valves meeting the requirements of ASME B16.34 may be used at the pressure–temperature ratings established by those standards. Standard Class, Special Class, or Limited Class valves may be used, provided that all parts of the valves are suitable for the pressure–temperature conditions at which they are to be used. Valves of intermediate rating or class, as described in ASME B16.34, are permitted.

**PG-42.4.5** When the service requirements exceed the permissible values given in ASME B16.5 or ASME B16.34, the requirements of the Code will be met if the bolting material, flange thickness, and/or body thickness are increased so that the deflection limits are no greater and the factor of safety is no less than that of the nearest Pressure Rating Class in ASME B16.5 or ASME B16.34.

**PG-42.4.6** Steel butt welding fittings may be used provided they are at least equal to the requirements of ASME B16.9.

**PG-42.4.7** ASME Standard slip-on flanges shall not exceed NPS 4 (DN 100). Attachment of slip-on flanges shall be by double fillet welds. The throats of the fillet welds shall not be less than 0.7 times the thickness of the part to which the flange is attached.

**PG-42.4.8** ASME Standard socket welded flanges may be used in piping or boiler nozzles provided the dimensions do not exceed NPS 3 (DN 80) for Class 600 (PN 110) and lower, and NPS 2½ (DN 65) in Classes 900 (PN 150) and 1,500 (PN 260).

**PG-42.4.9** Threaded fittings of cast iron or malleable iron conforming to the requirements of the ASME Standards for Classes 125 (PN 20), 150 (PN 20), 250 (PN 50), and 300 (PN 50) pressure may be used except where otherwise specifically prohibited or where flanged fittings are specifically required. They shall not be used for temperatures over 450°F (230°C).

**PG-42.4.10** Cast- or forged-steel threaded fittings or valves that are at least equal to the strength requirements of the ASME Standard fittings that would otherwise be required may be used in all cases except where flanged fittings are specifically required.

**PG-42.4.11** The casting quality factors given in PG-25 do not apply to ASME Standard cast steel fittings whose dimensions and ratings are incorporated in the Code.

Bronze threaded or flanged type fittings or valves may be used provided they are at least equal to the strength requirements of ASME B16.1 cast iron fittings that would otherwise be required. Bronze threaded fittings may be

used if they comply with ASME B16.15. The material shall comply with PG-8.4 and the allowable working stresses are not to exceed the values given in Table 1B of Section II, Part D, except as provided in PG-67.7. Bronze shall not be used where steel or other material is specifically required. Threaded type fittings shall not be used where flanged types are specified.

#### **PG-43 NOZZLE NECK THICKNESS**

The minimum thickness of a nozzle neck (including access openings and openings for inspection) shall not be less than the thickness required for the applicable loadings. Additionally, the minimum thickness of a nozzle neck (except for access openings and openings for inspection) shall be not less than the smaller of the following:

**PG-43.1** The minimum required thickness of a seamless shell or head to which it is attached.

**PG-43.2** The minimum wall thickness of standard-wall pipe listed in Table 2 of ASME B36.10M.

#### **PG-44 INSPECTION OPENINGS**

**PG-44.1** All boilers or parts thereof shall be provided with suitable manhole, handhole, or other inspection openings for examination or cleaning, except for special types of boilers where such openings are manifestly not needed or used.

Specific requirements for access openings in certain types of boilers appear in other paragraphs.

An elliptical manhole opening shall be not less than 12 in. × 16 in. (300 mm × 400 mm) in size.

A circular manhole opening shall be not less than 15 in. (380 mm) in diameter.

A handhole opening in a boiler drum or shell shall be not less than 2¾ in. × 3½ in. (70 mm × 89 mm), but it is recommended that, where possible, larger sizes be used.

Manhole, handhole, inspection, and washout openings in a shell or unstayed head shall be designed in accordance with the rules of PG-32 to PG-42.

When a threaded opening is to be used for inspection or washout purposes, it shall be not less than 1 in. (25 mm) pipe size. The closing plug or cap shall be of nonferrous material except for pressures of over 250 psi (1.7 MPa).

The thread shall be a standard tapered pipe thread, except that a straight thread of equal strength may be used if other sealing surfaces to prevent leakage are provided.

**PG-44.2** Manhole and handhole cover plates and yokes (10) shall be of rolled, forged, or cast steel except that for pressures not exceeding 250 psi (1.7 MPa), and/or temperatures not exceeding 450°F (230°C), either handhole cover plates or yokes may be made of cast iron complying with SA-278.

The strength of all such parts together with the bolts and yokes, if any, shall be proportioned for the service for which they are used.

**PG-44.3** The minimum width of bearing surface for a gasket on a manhole opening shall be  $\frac{1}{16}$  in. (17 mm). No gasket for use on a manhole or handhole of any boiler shall have a thickness greater than  $\frac{1}{4}$  in. (6 mm), when compressed.

## PG-46 STAYED SURFACES

**PG-46.1** The minimum thickness and maximum allowable working pressure for stayed flat plates and those parts that, by these rules, require staying as flat plates with stays or staybolts of uniform diameter symmetrically spaced, shall be calculated by the following equations:

$$t = p \sqrt{\frac{P}{SC}} \quad (1)$$

$$P = \frac{t^2 SC}{p^2} \quad (2)$$

where

$C = 2.1$  for welded stays or stays screwed through plates not over  $\frac{7}{16}$  in. (11 mm) in thickness with ends riveted over

$= 2.2$  for welded stays or stays screwed through plates over  $\frac{7}{16}$  in. (11 mm) in thickness with ends riveted over

$= 2.5$  for stays screwed through plates and fitted with single nuts outside of plate, or with inside and outside nuts, omitting washers

$= 2.8$  for stays with heads not less than 1.3 times the diameter of the stays screwed through plates or made a taper fit and having the heads formed on the stay before installing them, and not riveted over, said heads being made to have a true bearing on the plate

$= 3.2$  for stays fitted with inside and outside nuts and outside washers where the diameter of washers is not less than  $0.4p$  and thickness not less than  $t$

$P =$  maximum allowable working pressure, psi (MPa)

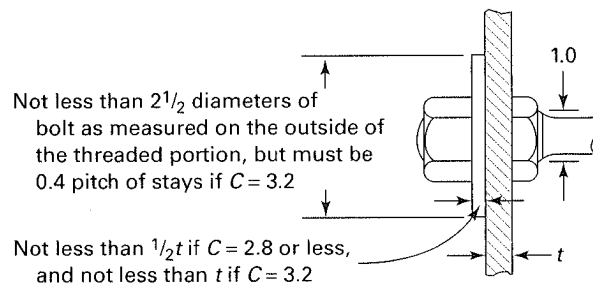
$p =$  maximum pitch measured between straight lines passing through the centers of the staybolts in the different rows, which lines may be horizontal and vertical, or radial and circumferential, in. (mm)

$S =$  maximum allowable stress given in Table 1A of Section II, Part D, psi (MPa)

$t =$  minimum thickness of plate, in. (mm)

**PG-46.2** The minimum thickness of plates to which stays may be applied, in other than cylindrical or spherical outer shell plates, shall be  $\frac{5}{16}$  in. (8 mm), except for welded construction covered by PW-19.

FIG. PG-46.2 ACCEPTABLE PROPORTIONS FOR ENDS OF THROUGH-STAYS



**PG-46.3** When two plates are connected by stays and only one of these plates requires staying, the value of  $C$  shall be governed by the thickness of the plate requiring staying.

**PG-46.4** Acceptable proportions for the ends of through-stays with washers are indicated in Fig. PG-46.2.

**PG-46.5** The maximum pitch shall be  $8\frac{1}{2}$  in. (215 mm) except that for welded-in staybolts the pitch may be greater provided it does not exceed 15 times the diameter of the staybolt.

For the application of PG-48 and PFT-26, see Fig. A-8.

**PG-46.6** Where the staybolting of shells is unsymmetrical by reason of interference with butt straps or other construction, it is permissible to consider the load carried by each staybolt as the area calculated by taking the distance from the center of the spacing on one side of the bolt to the center of the spacing on the other side.

**PG-46.7** The ends of stays fitted with nuts shall not be exposed to the direct radiant heat of the fire.

**PG-46.8** Stays exceeding 120 diameters in length shall be supported at intervals not exceeding 120 diameters, or the cross-sectional area of the stay shall be increased by not less than 15% of its required area.

## PG-47 STAYBOLTS

**PG-47.1** The ends of staybolts or stays screwed through the plate shall extend beyond the plate not fewer than two threads when installed, after which they shall be riveted over or upset by an equivalent process without excessive scoring of the plates; or they shall be fitted with threaded nuts through which the bolt or stay shall extend. The thread lead of both ends and both plates being stayed shall be synchronized to permit the bolt to be installed without stripping the threads. The outside ends of solid staybolts 8 in. (200 mm) and less in length, if of uniform diameter throughout their length, shall be drilled with telltale holes at least  $\frac{3}{16}$  in. (5 mm) in diameter to a depth extending at least  $\frac{1}{2}$  in. (13 mm) beyond the inside of the plate. If such

staybolts are reduced in section between their ends below their diameter at the root of the thread, the telltale holes shall extend at least  $\frac{1}{2}$  in. (13 mm) beyond the point where the reduction in section commences. Hollow staybolts may be used in place of solid staybolts with drilled ends. Solid staybolts over 8 in. (200 mm) long and flexible staybolts of either the jointed or ball-and-socket type need not be drilled. Staybolts used in waterlegs of watertube boilers shall be hollow or drilled at both ends, in accordance with the requirements above stated, irrespective of their length. All threaded staybolts not normal to the stayed surface shall have not less than three engaging threads of which at least one shall be a full thread, but if the thickness of the material in the boiler is not sufficient to give one full engaging thread, the plates shall be sufficiently reinforced on the inside by a steel plate welded thereto. Telltale holes are not required in staybolts attached by welding.

**PG-47.2** The ends of steel stays upset for threading shall be fully annealed after upsetting.

**PG-47.3** Requirements for welded-in staybolts are given in PW-19.

## PG-48 LOCATION OF STAYBOLTS

**PG-48.2** When the edge of a flat stayed plate is flanged, the distance from the center of the outermost stays to the inside of the supporting flange shall not be greater than the pitch of the stays plus the inside radius of the flange.

## PG-49 DIMENSIONS OF STAYBOLTS

**PG-49.1** The required area of a staybolt at its minimum cross section shall be obtained by dividing the load on the staybolt, computed in accordance with PFT-26, by the allowable stress value in accordance with Table 1A of Section II, Part D, and multiplying the results by 1.10.

**PG-49.2** The diameter of a screw stay shall be taken at the bottom of the thread or wherever it is of the least diameter.

## PG-52 LIGAMENTS

**PG-52.1** The rules of this paragraph apply to groups of openings that form a definite pattern in pressure parts. (For patterns not definite, see PG-53.) When the rules of PG-32.1.2 are satisfied, the efficiency of the ligament between the tube holes shall be determined as follows (see Fig. PG-52.1).

### PG-52.2 Openings Parallel to Vessel Axis

**PG-52.2.1** When the pitch of the tubes on every tube row is equal (as in Fig. PG-52.2), the equation is

$$E = \frac{p - d}{p}$$

*Example:* Pitch of tube holes in the drum as shown in Fig. PG-52.2 =  $5\frac{1}{4}$  in. Diameter of tube =  $3\frac{1}{4}$  in. Diameter of tube holes =  $3\frac{9}{32}$  in.

$$\frac{p - d}{p} = \frac{5.25 - 3.281}{5.25}$$

$$= 0.375 \text{ efficiency of ligament}$$

**PG-52.2.2** When the pitch of the tube holes on any one row is unequal (as in Fig. PG-52.3 or Fig. PG-52.4), the equation is

$$E = \frac{p_1 - nd}{p_1}$$

*Example:* Spacing shown in Fig. PG-52.3. Diameter of tube holes =  $3\frac{9}{32}$  in.

$$\frac{p_1 - nd}{p_1} = \frac{12 - 2 \times 3.281}{12}$$

$$= 0.453 \text{ efficiency of ligament}$$

*Example:* Spacing shown in Fig. PG-52.4. Diameter of tube holes =  $3\frac{9}{32}$  in.

$$\frac{p_1 - nd}{p_1} = \frac{29.25 - 5 \times 3.281}{29.25}$$

$$= 0.439 \text{ efficiency of ligament}$$

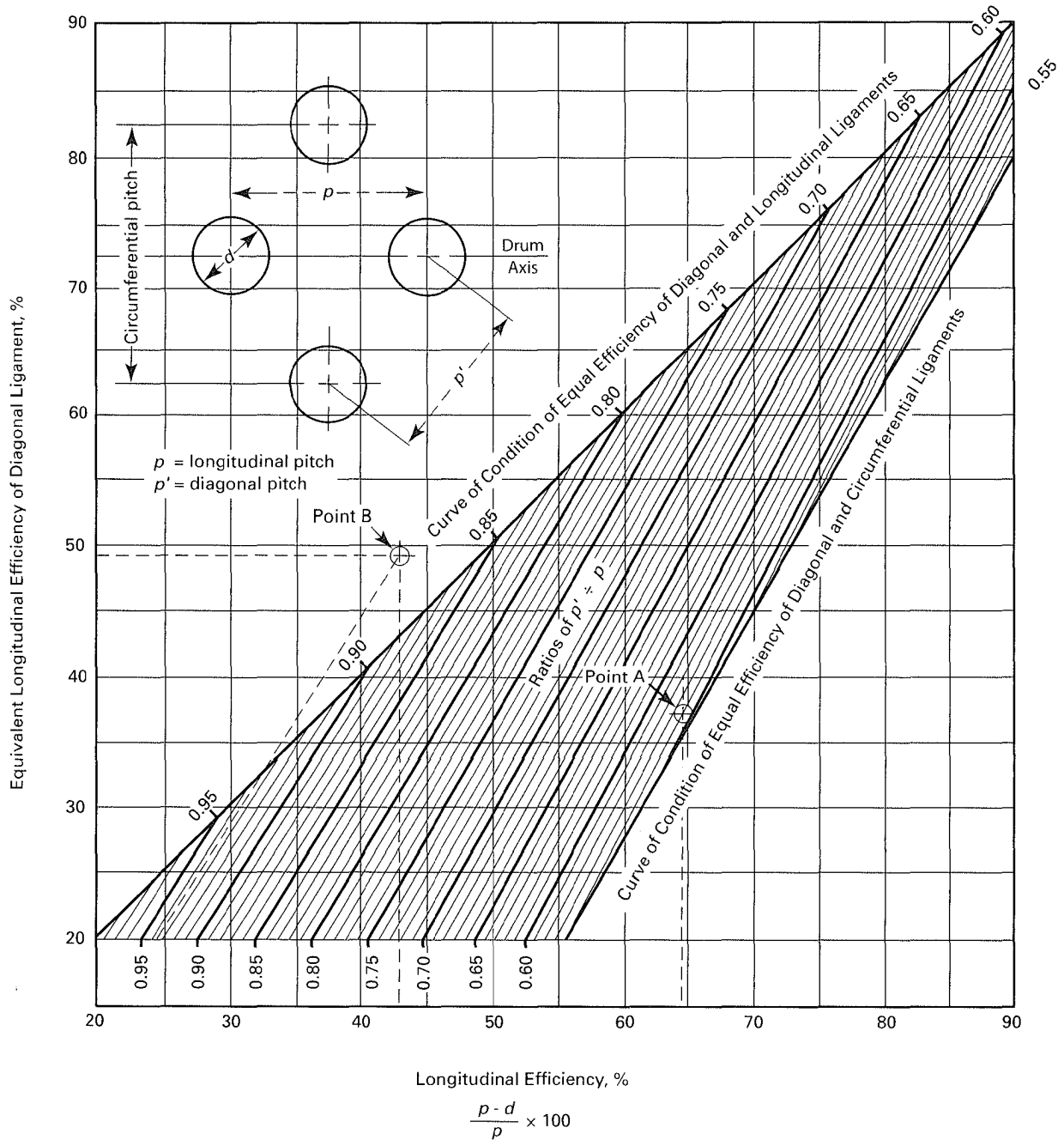
**PG-52.3 Openings Transverse to Vessel Axis.** The strength of those ligaments between the tube holes that are subjected to a longitudinal stress shall be at least one-half the required strength of those ligaments that come between the tube holes that are subjected to a circumferential stress.

**PG-52.4 Holes Along a Diagonal.** When a shell or drum is drilled for tube holes as shown in Fig. PG-52.5, the efficiency of these ligaments shall be that given by the diagram in Fig. PG-52.1. The abscissa  $(p - d)/p$  and the ratio  $p'/p$  shall be computed. With these values the efficiency may be read off the ordinate. Should the point fall above the curve of equal efficiency for the diagonal and longitudinal ligaments, the longitudinal ligaments will be the weaker, in which case the efficiency is computed from the following equation:

$$\frac{p - d}{p} \quad (1)$$



FIG. PG-52.1 DIAGRAM FOR DETERMINING THE EFFICIENCY OF LONGITUDINAL AND DIAGONAL LIGAMENTS BETWEEN OPENINGS IN CYLINDRICAL SHELLS



GENERAL NOTES:

(a) Equations are provided for the user's option in Notes (b), (c), and (d) below. The use of these equations is permitted for values beyond those provided by Fig. PG-52.1.

(b) Diagonal efficiency, % =  $\frac{J + 0.25 - (1 - 0.01 E_{long}) \sqrt{0.75 + J}}{0.00375 + 0.005J}$ , where  $J = (p'/p_1)^2$ .

(c) Curve of condition of equal efficiency of diagonal and circumferential ligaments,

diagonal efficiency, % =  $\frac{200M + 100 - 2(100 - E_{long}) \sqrt{1 + M}}{(1 + M)}$ , where  $M = [(100 - E_{long}) / (200 - 0.5 E_{long})]^2$ .

(d) Longitudinal efficiency, % =  $E_{long} = [(p_1 - d) / p_1] 100$ .

FIG. PG-52.2 EXAMPLE OF TUBE SPACING WITH PITCH OF HOLES EQUAL IN EVERY ROW

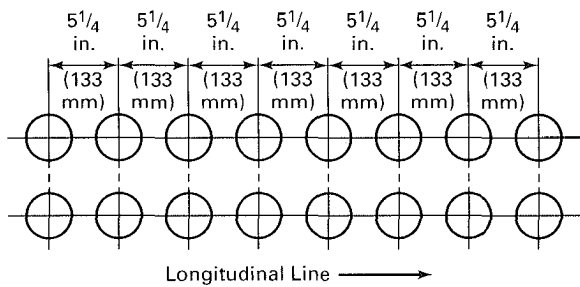


FIG. PG-52.3 EXAMPLE OF TUBE SPACING WITH PITCH OF HOLES UNEQUAL IN EVERY SECOND ROW

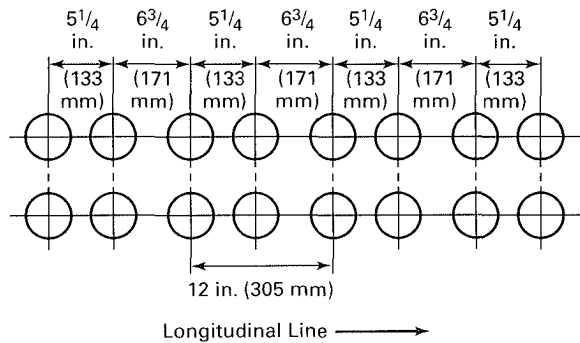
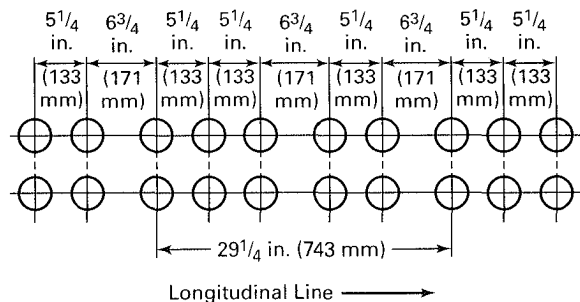


FIG. PG-52.4 EXAMPLE OF TUBE SPACING WITH PITCH OF HOLES VARYING IN EVERY SECOND AND THIRD ROW



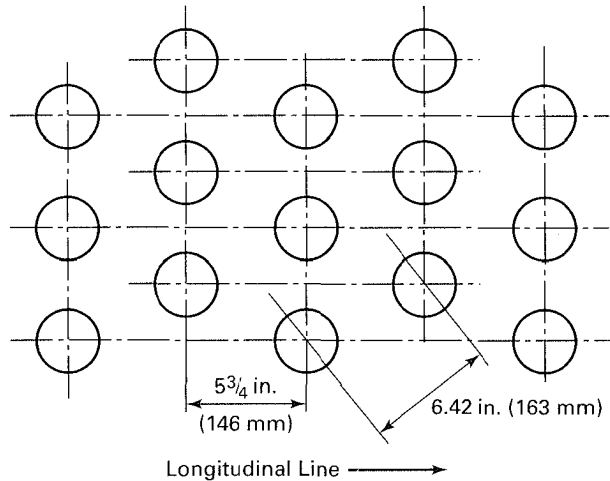
Example:

(1) Diagonal pitch of tube holes in drum as shown in Fig. PG-52.5 = 6.42 in. Diameter of holes =  $4\frac{1}{32}$  in. Longitudinal pitch of tube holes =  $11\frac{1}{2}$  in.

$$\frac{p - d}{p} = \frac{11.5 - 4.031}{11.5} = 0.649 \quad (2)$$

$$\frac{p'}{p} = \frac{6.42}{11.5} = 0.558 \quad (3)$$

FIG. PG-52.5 EXAMPLE OF TUBE SPACING WITH TUBE HOLES ON DIAGONAL LINES



The point corresponding to these values is shown at A on the diagram in Fig. PG-52.1, and the corresponding efficiency is 37.0%. As the point falls below the curve of equal efficiency for the diagonal and longitudinal ligaments, the diagonal ligament is the weaker.

(2) Diagonal pitch of tube holes in drum =  $6\frac{35}{64}$  in. Diameter of tube holes =  $4\frac{1}{64}$  in. Longitudinal pitch of tube holes = 7 in.

$$\frac{p - d}{p} = \frac{7 - 4.0156}{7} = 0.426 \quad (4)$$

$$\frac{p'}{p} = \frac{6.547}{7} = 0.935$$

The point corresponding to these values is shown at B on the diagram in Fig. PG-52.1, and it will be seen that it falls above the line of equal efficiency for the diagonal and longitudinal ligaments, in which case the efficiency is computed from eq. (1). Applying eq. (1), we have

$$\frac{7 - 4.0156}{7} = 0.426, \text{ efficiency of ligament, or } 42.6\%$$

**PG-52.5** When tubes or holes are arranged in a drum or shell in symmetrical groups along lines parallel to the axis and the same spacing is used for each group, the efficiency for one of the groups shall be not less than the efficiency on which the maximum allowable working pressure is based.

**PG-52.6** The symbols defined below are used in the equations of this paragraph (10)

- $d$  = diameter of openings, in. (mm)
- $E$  = efficiency of ligament
- $p$  = longitudinal pitch of adjacent openings, in. (mm)
- $p'$  = diagonal pitch of adjacent openings, in. (mm)

$p_1$  = pitch between corresponding openings in a series of symmetrical groups of openings, in. (mm)  
 $n$  = number of openings in length  $p_1$

The pitch shall be determined at the mean radius of the cylinder.

### PG-53 LIGAMENTS

**PG-53.1** The rules in this paragraph apply to groups of openings that do not form a definite pattern in pressure parts (For definite patterns, see PG-52.). When the rules of PG-32.1.2 are satisfied, the efficiency of the ligament between tube holes shall be determined as follows:

**PG-53.2** When tubes or holes are unsymmetrically spaced, the average ligament efficiency shall be not less than that given by the following rules, which apply to ligaments between tube holes, and not to single openings. This procedure may give lower efficiencies in some cases than those for symmetrical groups which extend a distance greater than the inside diameter of the shell as covered under PG-52. When this occurs, the efficiencies computed by the rules under PG-52 shall be used.

**PG-53.2.1** For a length equal to the inside diameter of the drum for the position that gives the minimum efficiency, the efficiency shall be not less than that on which the maximum allowable working pressure is based. When the diameter of the drum exceeds 60 in. (1 500 mm), the length shall be taken as 60 in. (1 500 mm) in applying this rule.

**PG-53.2.2** For a length equal to the inside radius of the drum for the position that gives the minimum efficiency, the efficiency shall be not less than 80% of that on which the maximum allowable working pressure is based. When the radius of the drum exceeds 30 in. (750 mm), the length shall be taken as 30 in. (750 mm) in applying this rule.

**PG-53.3** For holes placed longitudinally along a drum but that do not come in a straight line, the above rules for calculating efficiency shall hold except that the equivalent longitudinal width of a diagonal ligament shall be used. To obtain the equivalent width the longitudinal pitch of the two holes having a diagonal ligament shall be multiplied by the efficiency of the diagonal ligament. The efficiency to be used for the diagonal ligaments is given in Fig. PG-52.6.

### PG-55 SUPPORTS AND ATTACHMENT LUGS

**PG-55.1** Lugs or hangers when used to support a boiler of any type shall be properly fitted to the surfaces to which they are attached.

(10) **PG-55.2** Lugs, hangers, or brackets may be attached by fusion welding provided the welding meets the requirements of Part PW, including stress relieving but omitting

volumetric examination and provided they are attached by full penetration welds, combination groove and fillet welds, or by fillet welds along the entire periphery or contact edges. Some acceptable forms of welds for lugs, hangers, or brackets are shown in Fig. PW-16.2. The materials for lugs, hangers, or brackets are not limited to those listed in Tables 1A and 1B of Section II, Part D, but shall be of weldable quality. The allowable load on the fillet welds shall equal the product of the weld area based on minimum leg dimension, the allowable stress value in tension of the material being welded, and the factor 0.55. When using welded pipe, the stress values given in Table 1A of Section II, Part D, may be increased to that of the basic material by eliminating the stated weld efficiencies.

## BOILER EXTERNAL PIPING AND BOILER PROPER CONNECTIONS

### PG-58 OUTLETS AND EXTERNAL PIPING

**PG-58.1 General.** The rules of this subparagraph apply to the boiler external piping as defined in the Preamble.

**PG-58.2 Boiler External Piping Connections to Boilers.** All boiler external piping connected to a boiler for any purpose shall be attached to one of the types of joints listed in PG-59.1.1.1, PG-59.1.1.2, and PG-59.1.1.3.

**PG-58.3 Boiler External Piping.** The following defines the Code Jurisdictional Limits of the boiler external piping systems, including general requirements, valves, and inspection. The limits are also shown in Figs. PG-58.3.1, PG-58.3.2, and PG-58.3.3. The materials, design, fabrication, installation, and testing shall be in accordance with ASME B31.1, Power Piping.

**PG-58.3.1** The steam piping connected to the boiler drum or to the superheater outlet header shall extend up to and including the first stop valve in each connection, except as required by PG-58.3.2. In the case of a single boiler and prime mover installation, the stop valve required herein may be omitted provided the prime mover throttle valve is equipped with an indicator to show whether the valve is open or closed and is designed to withstand the required hydrostatic pressure test of the boiler.

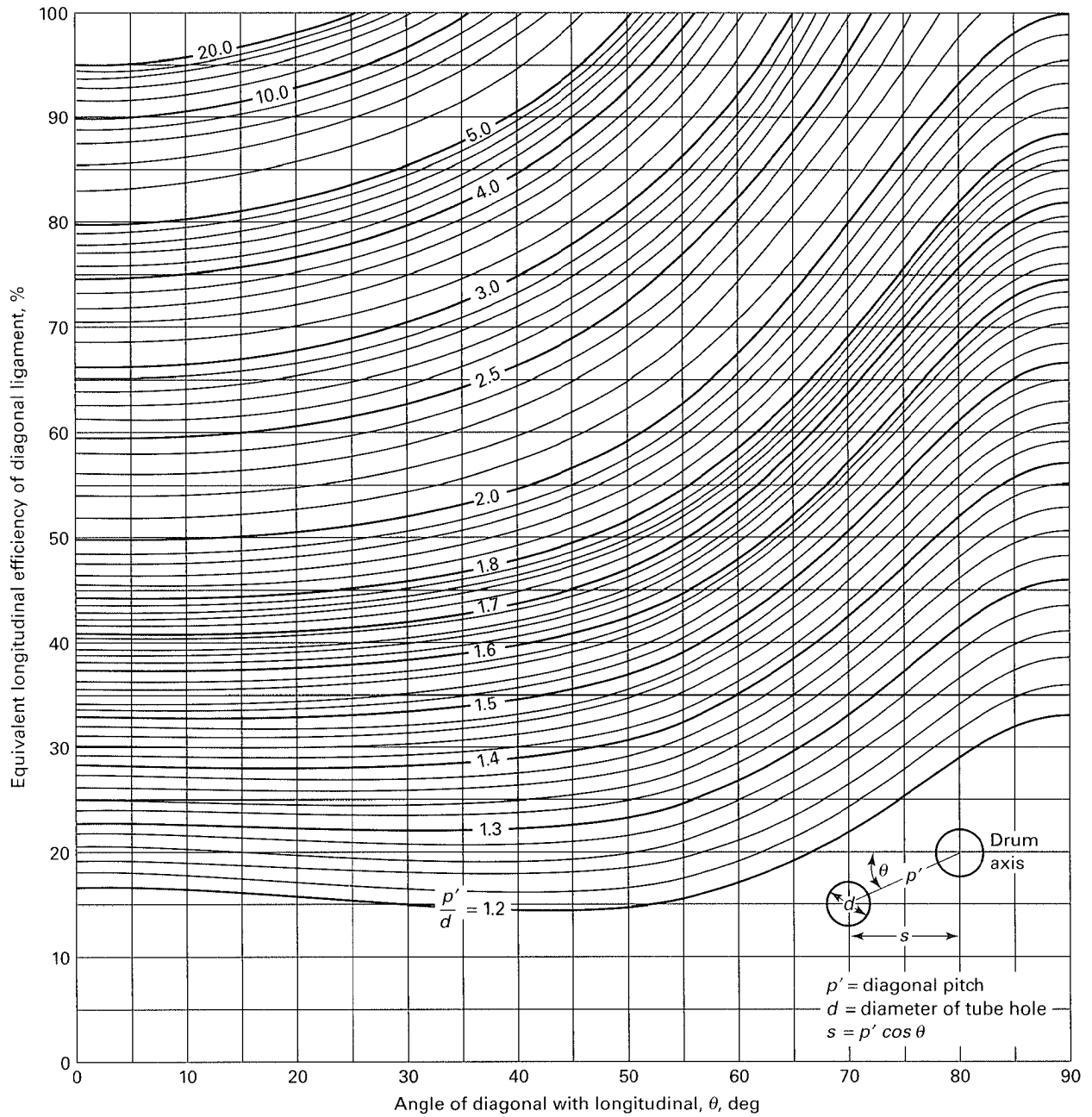
For an isolable or separately fired superheater which discharges steam directly to a process stream, the stop valve required by this paragraph and the safety valve(s) required by PG-68 may be omitted provided the following conditions are satisfied:

(a) The boiler is a drum-type boiler in a single-boiler installation.

(b) The steam discharge passes through the process stream to the atmosphere with no intervening valves.

(c) The system shall be designed so that the process stream through which the steam discharge passes cannot

FIG. PG-52.6 DIAGRAM FOR DETERMINING EQUIVALENT LONGITUDINAL EFFICIENCY OF DIAGONAL LIGAMENTS BETWEEN OPENINGS IN CYLINDRICAL SHELLS



GENERAL NOTES:

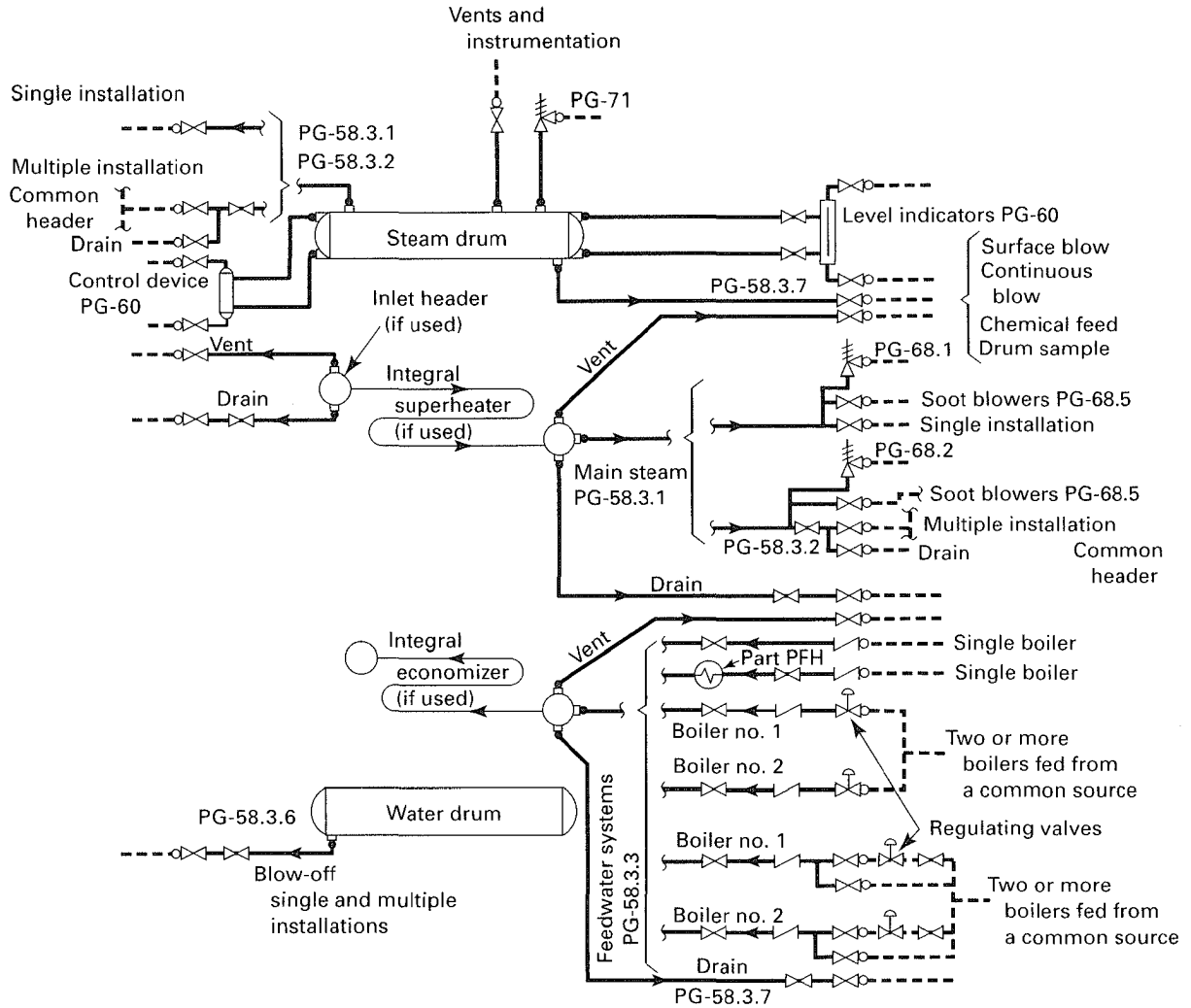
(a) The equation in Note (b) below is provided for the user's option. The use of the equation is prohibited beyond the range of the abscissa and ordinate shown.

(b) Equivalent longitudinal efficiency,

$$\% = \frac{\sec^2 \theta + 1 - \left( \frac{\sec \theta}{p'/d} \right) \sqrt{3 + \sec^2 \theta}}{0.015 + 0.005 \sec^2 \theta}$$

FIG. PG-58.3.1(a) CODE JURISDICTIONAL LIMITS FOR PIPING — DRUM-TYPE BOILERS

(10)

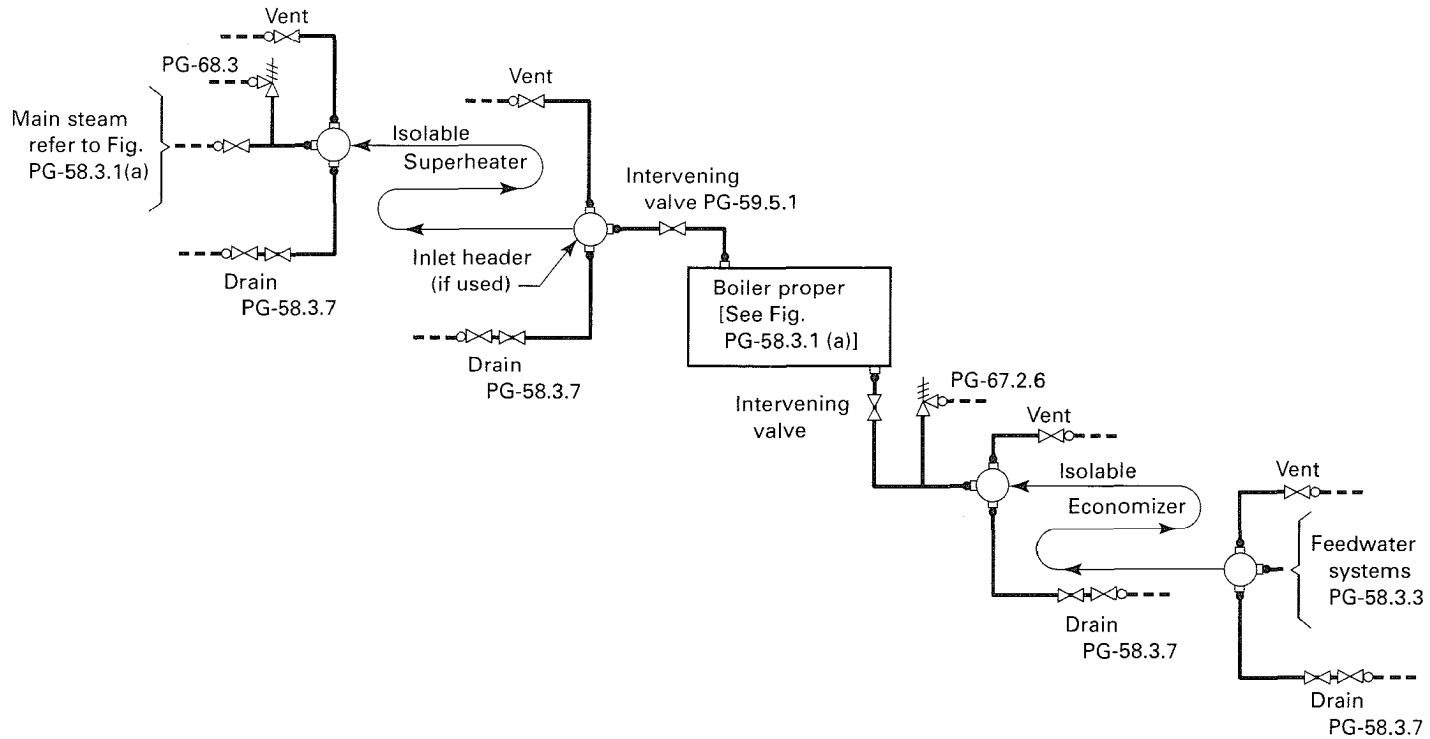


Administrative Jurisdiction & Technical Responsibility

- Boiler Proper — The ASME Boiler and Pressure Vessel Code (ASME BPVC) has total administrative jurisdiction and technical responsibility (refer to Section I Preamble)
- Boiler External Piping and Joint — The ASME BPVC has total administrative jurisdiction (mandatory certification by Code Symbol stamping, ASME Data Forms, and Authorized Inspection) of Boiler External Piping and Joint. The ASME Section Committee B31.1 has been assigned technical responsibility.
- Non-Boiler External Piping and Joint — Not Section I jurisdiction (see applicable ASME B31 Code).

(10) FIG. PG-58.3.1(b) CODE JURISDICTIONAL LIMITS FOR PIPING — ISOLABLE ECONOMIZERS LOCATED IN FEEDWATER PIPING AND ISOLABLE SUPERHEATERS IN MAIN STEAM PIPING

(Boiler Pressure Relief Valves, Blowoff, and Miscellaneous Piping for Boiler Proper Not Shown for Clarity)

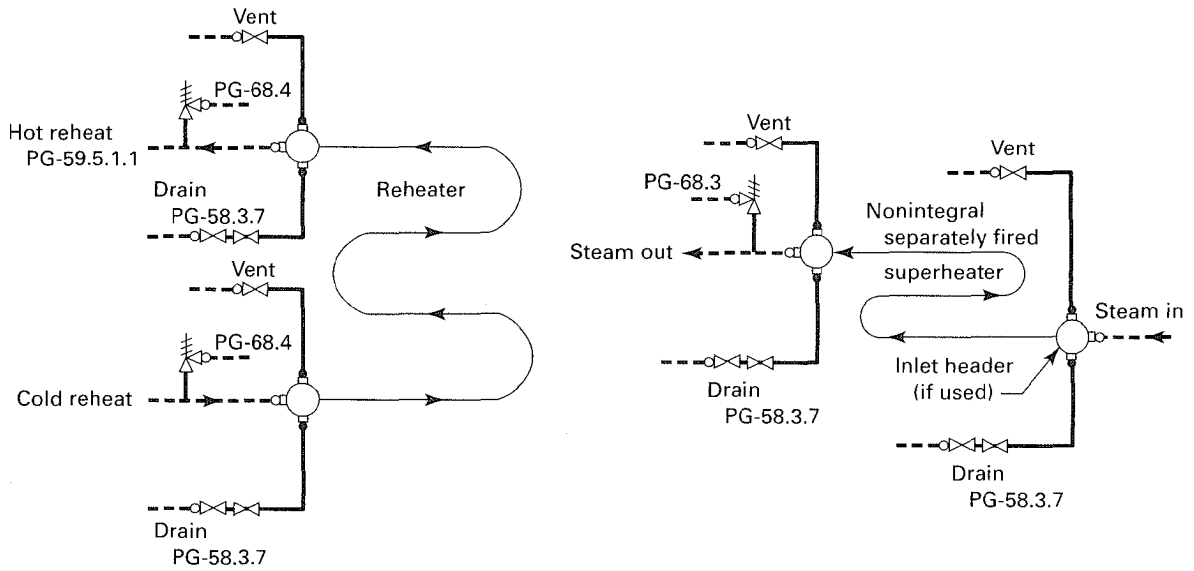


Administrative Jurisdiction & Technical Responsibility

- Boiler Proper — The ASME Boiler and Pressure Vessel Code (ASME BPVC) has total administrative jurisdiction and technical responsibility (refer to Section I Preamble)
- Boiler External Piping and Joint — The ASME BPVC has total administrative jurisdiction (mandatory certification by Code Symbol stamping, ASME Data Forms, and Authorized Inspection) of Boiler External Piping and Joint. The ASME Section Committee B31.1 has been assigned technical responsibility.
- Non-Boiler External Piping and Joint — Not Section I jurisdiction (see applicable ASME B31 Code).

FIG. PG-58.3.1(c) CODE JURISDICTIONAL LIMITS FOR PIPING — REHEATERS AND NONINTEGRAL SEPARATELY FIRED SUPERHEATERS

(10)

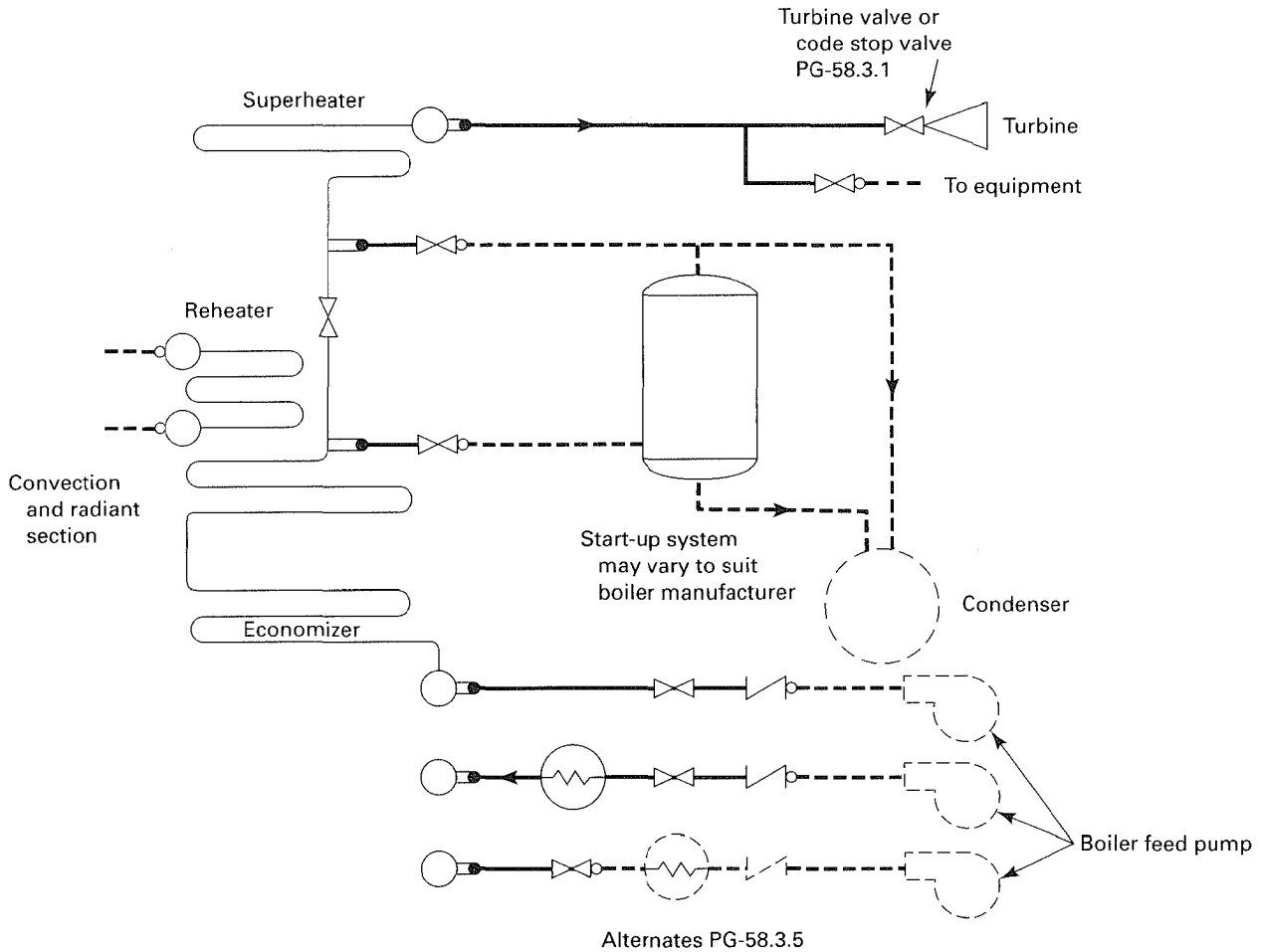


Administrative Jurisdiction & Technical Responsibility

- Boiler Proper — The ASME Boiler and Pressure Vessel Code (ASME BPVC) has total administrative jurisdiction and technical responsibility (refer to Section I Preamble)
- Boiler External Piping and Joint — The ASME BPVC has total administrative jurisdiction (mandatory certification by Code Symbol stamping, ASME Data Forms, and Authorized Inspection) of Boiler External Piping and Joint. The ASME Section Committee B31.1 has been assigned technical responsibility.
- Non-Boiler External Piping and Joint — Not Section I jurisdiction (see applicable ASME B31 Code).

(10)

FIG. PG-58.3.2 CODE JURISDICTIONAL LIMITS FOR PIPING — AN EXAMPLE OF FORCED-FLOW STEAM GENERATORS WITH NO FIXED STEAM OR WATERLINE

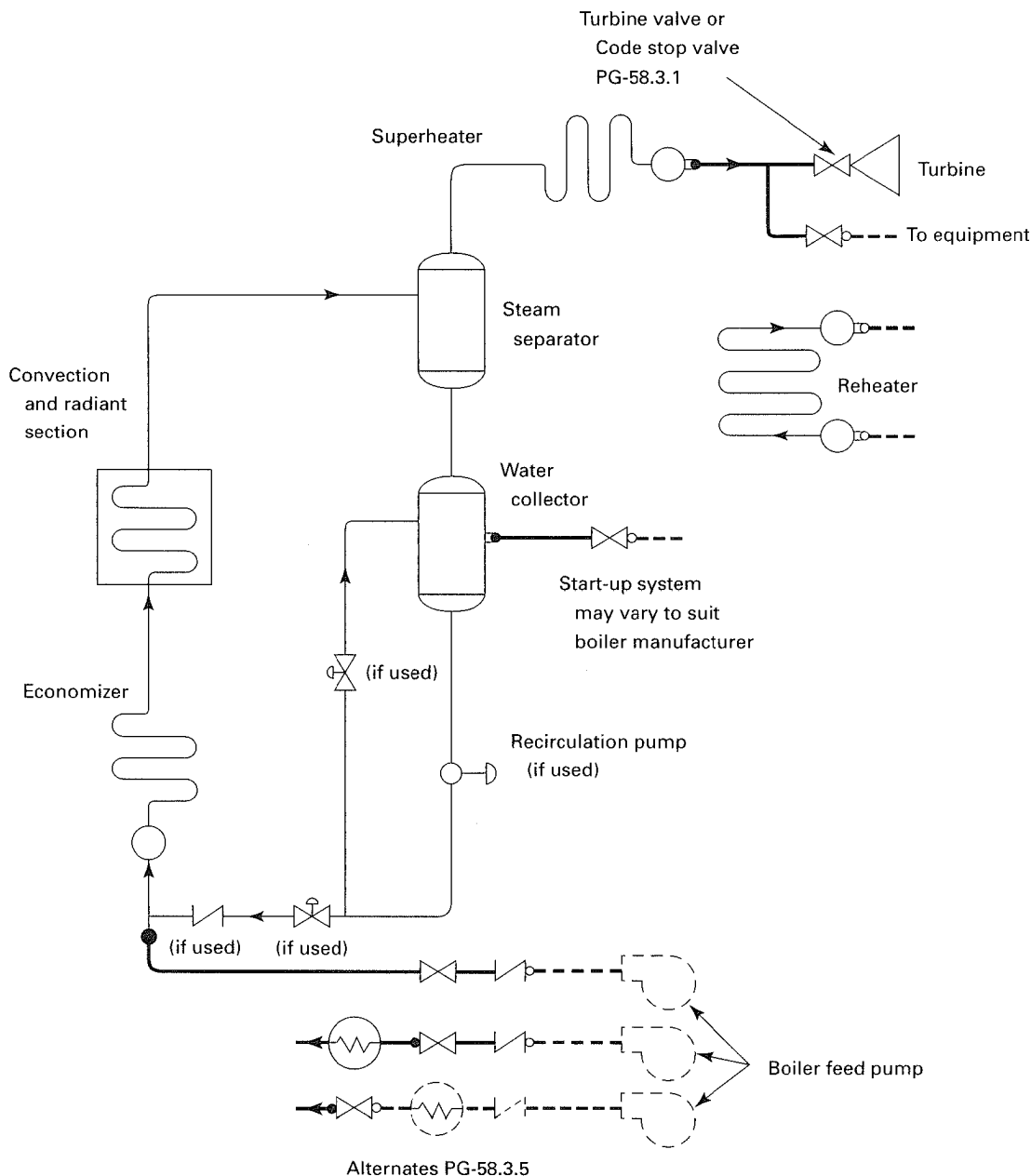


Administrative Jurisdiction & Technical Responsibility

- Boiler Proper — The ASME Boiler and Pressure Vessel Code (ASME BPVC) has total administrative jurisdiction and technical responsibility (refer to Section I Preamble)
- Boiler External Piping and Joint — The ASME BPVC has total administrative jurisdiction (mandatory certification by Code Symbol stamping, ASME Data Forms, and Authorized Inspection) of Boiler External Piping and Joint. The ASME Section Committee B31.1 has been assigned technical responsibility.
- - - Non-Boiler External Piping and Joint — Not Section I jurisdiction (see applicable ASME B31 Code).



FIG. PG-58.3.3 CODE JURISDICTIONAL LIMITS FOR PIPING — AN EXAMPLE OF STEAM SEPARATOR TYPE FORCED-FLOW STEAM GENERATORS WITH NO FIXED STEAM OR WATERLINE (10)



**ADMINISTRATIVE JURISDICTION AND TECHNICAL RESPONSIBILITY**

- Boiler Proper – The ASME Boiler and Pressure Vessel Code (ASME BPVC) has total administrative jurisdiction and technical responsibility (refer to Section I Preamble).
- Boiler External Piping and Joint – The ASME BPVC has total administrative jurisdiction (mandatory certification by Code Symbol stamping, ASME Data Forms, and Authorized Inspection) of Boiler External Piping and Joint. The ASME Section Committee B31.1 has been assigned technical responsibility.
- - - Non-Boiler External Piping and Joint – Not Section I jurisdiction (see applicable ASME B31 Code).

be obstructed in such a way as to cause the pressure in the superheater to exceed that permitted by PG-67.2, with maximum steam flow from the boiler to the superheater. Flow and pressure calculations demonstrating that the superheater will not be overpressurized under any steam flow conditions shall be documented and made available to the Inspector. These calculations shall be certified by a Professional Engineer experienced in the mechanical design of power plants.

(d) There is no valve on the discharge side of the superheater.

(e) Section I jurisdiction shall include the pressure parts between the superheater inlet and the outlet at

(1) the first circumferential joint for welding end connections

(2) the face of the first flange in bolted flange connections or

(3) the first threaded joint in that type of connection

**PG-58.3.2** When two or more boilers are connected to a common steam header, or when a single boiler is connected to a header having another steam source (e.g., a turbine extraction line), the connection from each boiler having a manhole opening shall be fitted with two stop valves having an ample free-blow drain between them. The boiler external piping includes all piping from the boiler proper up to and including the second stop valve and the free-blow drain valve.

**PG-58.3.3** The feedwater piping for all boilers, except high-temperature water boilers and forced-flow steam generators complying with PG-58.3.5, shall extend through the required stop valve and up to and including the check valve except as required by PG-58.3.4. On a single boiler-turbine unit installation the boiler feed shutoff valve may be located upstream from the boiler feed check valve.

If a feedwater heater or heaters meeting the requirements of Part PFH are installed between the required stop valve and the boiler, and are fitted with isolation and bypass valves, provisions must be made to prevent the feedwater pressure from exceeding the maximum allowable working pressure of the piping or feedwater heater, whichever is less. Control and interlock systems are permitted in order to prevent overpressure.

**PG-58.3.4** When two or more boilers are fed from a common source, the piping shall be up to and including a globe or regulating valve located between the check valve required in PG-58.3.3 and the source of supply. If the regulating valve is equipped with an isolation valve and a bypass valve, the piping shall be up to and including both the isolation valve downstream from the regulating valve and the shutoff valve in the bypass.

**PG-58.3.5** The feedwater piping for a forced-flow steam generator with no fixed steam and waterline may

terminate up to and including the stop valve near the boiler and omitting the check valve near the boiler, provided that a check valve having a pressure rating no less than the boiler inlet design pressure is installed at the discharge of the boiler feed pump or elsewhere in the feedline between the feed pump and the feed stop valve. If the feedwater heater(s) is fitted with isolation and bypass valves, the applicable requirements of PG-58.3.3 must be met.

**PG-58.3.6** The blowoff piping for all boilers, except forced-flow steam generators with no fixed steam and waterline, high-temperature water boilers, and those used for traction and/or portable purposes, when the maximum allowable working pressure exceeds 100 psi (700 kPa) shall extend through and including the second valve. The blowoff piping for all traction and/or portable boilers and for forced circulation and electric boilers having a normal water content not exceeding 100 gal (380 L) are required to extend through only one valve.

**PG-58.3.7** The miscellaneous piping shall include the piping for such items as drains, vents, surface-blow-off, steam and water piping for water columns, gage glasses and pressure gages. When a drain is not intended for blow-off purposes (when the boiler is under pressure) a single valve is acceptable, otherwise two valves in series are required except as permitted by PG-58.3.6.

**PG-58.3.8** Boiler external piping for single high-temperature water boilers shall extend from the connections to the boiler up to and including the first stop valve and shall be classified as miscellaneous piping.

When multiple high-temperature water boilers are connected to common supply and return piping, and contain openings of a size that permit entry into the vessel, the supply and return piping systems shall meet the requirements of PG-58.3.2, including the requirement for a free-blown drain.

**PG-58.3.9** Welded piping in PG-58.3.1, PG-58.3.2, PG-58.3.3, PG-58.3.4, PG-58.3.5, PG-58.3.6, PG-58.3.7, and PG-58.3.8 is also subject to the requirements of PG-104 for proper Code certification.

## **PG-59 APPLICATION REQUIREMENTS FOR THE BOILER PROPER**

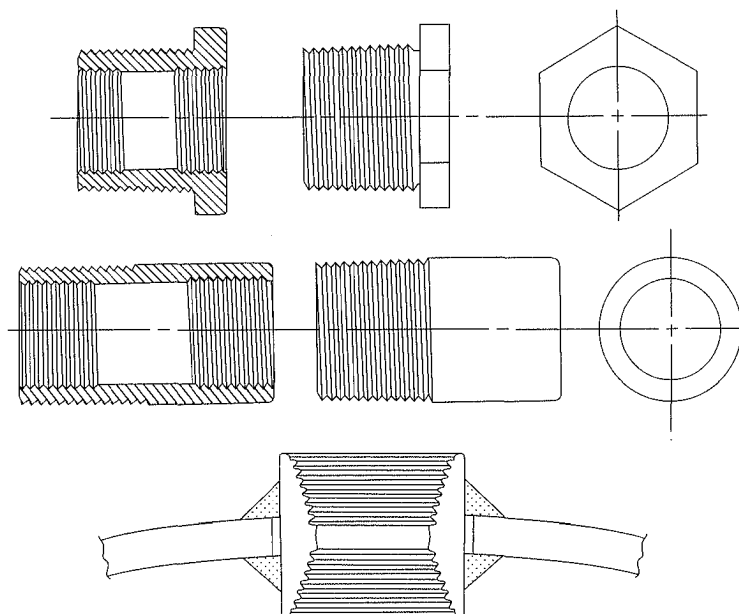
### **PG-59.1 Common to Steam, Feedwater, Blowoff, and Drain Systems**

**PG-59.1.1** Outlets of a boiler to which piping is to be attached for any purpose, and which piping comes within the Code requirements, shall meet the requirements of PG-39 and shall be

**PG-59.1.1.1** A tapped opening.

**PG-59.1.1.2** Bolted flanged joints including those of the Van Stone type.

FIG. PG-59.1 TYPICAL BOILER BUSHINGS



**PG-59.1.1.3** Welding ends of the butt or socket welding type.

**PG-59.1.1.4** Piping within the boiler proper may be expanded into grooved holes, seal welded if desired. Blowoff piping of firetube boilers shall be attached by threading into a tapped opening with a threaded fitting or valve at the other end if exposed to products of combustion, or by PG-59.1.1.1 or PG-59.1.1.2 if not so exposed (see PFT-49).

**PG-59.1.2 Steam Mains.** Provisions shall be made for the expansion and contraction of steam mains connected to boilers, by providing substantial anchorage at suitable points, so that there shall be no undue strain transmitted to the boiler. Steam reservoirs shall be used on steam mains when heavy pulsations of the steam currents cause vibration of the boiler shell plates.

**PG-59.1.3** Figure PG-59.1 illustrates a typical form of connection for use on boiler shells for passing through piping such as feed, surface blowoff connections, etc., and which permits the pipes' being threaded in solid from both sides in addition to the reinforcing of the opening of the shell. The pipes shall be attached as provided in PG-59.1.1.

In these and other types of boilers where both internal and external pipes making a continuous passage are employed, the boiler bushing or its equivalent shall be used.

**PG-59.2 Requirements for Feedwater Connections.** The feedwater shall be introduced into a boiler in such a manner that the water will not be discharged directly against surfaces exposed to gases of high temperature or to direct radiation from the fire. For pressures of 400 psi

(3 MPa) or over, the feedwater inlet through the drum shall be fitted with shields, sleeves, or other suitable means to reduce the effects of temperature differentials in the shell or head. Feedwater, other than condensate returns as provided for in PG-59.3.6, shall not be introduced through the blowoff.

### PG-59.3 Requirements for Blowoffs

**PG-59.3.1** A blowoff as required herein is defined as a pipe connection provided with valves located in the external piping through which the water in the boiler may be blown out under pressure, excepting drains such as are used on water columns, gage glasses, or piping to feedwater regulators, etc., used for the purpose of determining the operating condition of such equipment. Piping connections used primarily for continuous operation, such as deconcentrators on continuous blowdown systems, are not classed as blowoffs but the pipe connections and all fittings up to and including the first shutoff valve shall be equal at least to the pressure requirements for the lowest set pressure of any pressure relief valve on the boiler drum and with the corresponding saturated-steam temperature.

**PG-59.3.2** A surface blowoff connection shall not exceed NPS 2½ (DN 65), and the internal pipe and the terminal connection for the external pipe, when used, shall form a continuous passage, but with clearance between their ends and arranged so that the removal of either will not disturb the other. A properly designed steel bushing, similar to or the equivalent of those shown in Fig. PG-59.1, or a flanged connection shall be used.

**PG-59.3.3** Each boiler except forced-flow steam generators with no fixed steam and waterline and high-temperature water boilers shall have a bottom blowoff outlet in direct connection with the lowest water space practicable for external piping conforming to PG-58.3.6.

**PG-59.3.4** All waterwalls and water screens that do not drain back into the boiler, and all integral economizers, shall be equipped with outlet connections for a blowoff or drain line and conform to the requirements of PG-58.3.6 or PG-58.3.7.

**PG-59.3.5** Except as permitted for miniature boilers in Part PMB and for boilers with 100 ft<sup>2</sup> (9.3 m<sup>2</sup>) of heating surface or less, the minimum size of blowoff connections shall be NPS 1 (DN 25) and the maximum size shall be NPS 2½ (DN 65). Boilers with 100 ft<sup>2</sup> (9.3 m<sup>2</sup>) or less but more than 20 ft<sup>2</sup> (1.9 m<sup>2</sup>) of heating surface may have a minimum size blowoff connection of NPS ¾ (DN 20). Boilers with 20 ft<sup>2</sup> (1.9 m<sup>2</sup>) or less of heating surface may have a minimum size blowoff connection of NPS ½ (DN 15).

**PG-59.3.6** Condensate return connections of the same size or larger than the size herein specified may be used, and the blowoff may be connected to them. In such case the blowoff shall be so located that the connection may be completely drained.

**PG-59.3.7** A bottom blowoff pipe when exposed to direct furnace heat shall be protected by firebrick or other heat resisting material that is so arranged that the pipe may be inspected.

**PG-59.3.8** An opening in the boiler setting for a blowoff pipe shall be arranged to provide free expansion and contraction.

#### **PG-59.4 Requirements for Drains**

**PG-59.4.1** Ample drain connections shall be provided where required to permit complete drainage of all piping, superheaters, waterwalls, water screens, economizers, and all other boiler components in which water may collect. Piping shall conform to the requirements of PG-58.3.6 or PG-58.3.7.

**PG-59.4.1.1** Each superheater shall be equipped with at least one drain connection so located as to most effectively provide for the proper operation of the apparatus.

**PG-59.4.1.2** Each high-temperature water boiler shall have a bottom drain connection of at least NPS 1 (DN 25) in direct connection with the lowest water space practical for external piping conforming to PG-58.3.8.

**PG-59.5 Requirements for Valves and Fittings.** The following requirements apply to the use of valves and fittings in the boiler proper.

#### **PG-59.5.1 Steam Stop Valves**

**PG-59.5.1.1** If a shutoff valve is used between the boiler and its superheater, the pressure relief valve capacity on the boiler shall comply with the requirements of PG-67.2 and PG-70, except as provided for in PG-59.5.1.2, no credit being taken for the pressure relief valve on the superheater, and the superheater must be equipped with pressure relief valve capacity as required by PG-68. A stop valve is not required at the inlet or the outlet of a reheater or separately fired superheater.

**PG-59.5.1.2** When stop valves are installed in the water-steam flow path between any two sections of a forced-flow steam generator with no fixed steam and waterline, the pressure relief valves shall satisfy the requirements of PG-67.4.4.

### **DESIGN AND APPLICATION**

#### **PG-60 REQUIREMENTS FOR MISCELLANEOUS PIPE, VALVES, AND FITTINGS**

Piping referred to in this paragraph shall be designed in accordance with the applicable requirements of ASME B31.1.

**PG-60.1 Water Level Indicators.** All boilers having a fixed water level (steam and water interface) shall have at least one gage glass (a transparent device that permits visual determination of the water level). Gage glass designs that utilize transverse structural members (cross webbing) as a means to strengthen the body of the gage, which are not continuous over the entire vertical length of the gage glass, are not permitted.<sup>20</sup> Boilers not having a fixed water level, such as forced-flow steam generators and high-temperature water boilers of the forced circulation type, are not required to have a gage glass. The lowest visible water level in a gage glass shall be at least 2 in. (50 mm) above the lowest permissible water level, as determined by the boiler Manufacturer. Electrode-type electric boilers are required to have only one gage glass, regardless of MAWP.

Gage glass assemblies having multiple sections, whether of tubular or other construction, shall be designed in such a manner that will ensure a minimum of 1 in. (25 mm) overlap of all adjoining sections in which the water level may be visible, except that ported gages or reflex gages that use refraction of light to aid ready determination of the liquid level, may omit the requirement for overlapping sections.

<sup>20</sup> Transverse or cross-web structural strengthening members will cause areas along the length of the gage glass where the liquid level cannot be readily determined because of the masking shadows caused by the presence of the transverse members. Reflex-type designs that utilize solid members behind the glass that are continuous over the vertical length of the glass, and front lit by either ambient or projected sources as applicable, are not prohibited.

**PG-60.1.1** Boilers having a maximum allowable working pressure exceeding 400 psi (3 MPa) shall have two gage glasses. Instead of one of the two required gage glasses, two independent remote water level indicators (two discrete systems that continuously measure, transmit, and display water level) may be provided.

**PG-60.1.1.1** When the water level in at least one gage glass is not readily visible to the operator in the area where control actions are initiated, either a fiber optic cable (with no electrical modification of the optical signal) or mirrors shall be provided to transfer the optical image of the water level to the control area. Alternatively, any combination of two of the following shall be provided:

- (a) an independent remote water level indicator
- (b) an independent continuous transmission and display of an image of the water level in a gage glass

**PG-60.1.1.2** When two independent remote water level indicators are in reliable operation (continuously indicating water level), the one required gage glass may be shut off, but shall be maintained in the serviceable condition.

**PG-60.1.1.3** The display of a remote water level indicator shall have a clearly marked minimum water level reference at least 2 in. (50 mm) above the lowest permissible water level, as determined by the Manufacturer.

**PG-60.1.1.4** Independent remote level indicators that contain sensing devices that include a magnetically coupled float inside a nonmagnetic cylindrical pressure chamber to utilize through-the-wall sensing of float position shall be restricted to the requirements of PG-12.2.<sup>21</sup> The design and construction of such devices shall include provisions for ease of cleaning and maintenance. Attachment of any control devices for use other than indicating water level is prohibited.

**PG-60.1.6** Each gage glass or austenitic stainless steel or nickel-based alloy water level-sensing device shall be fitted with a drain cock or valve having an unrestricted drain opening of not less than  $\frac{1}{4}$  in. (6 mm) diameter to facilitate cleaning. When the boiler MAWP exceeds 100 psi (700 kPa), the gage glass shall be furnished with a connection to install a valved drain to a point of safe discharge.

Each gage glass or austenitic stainless steel or nickel-based alloy water level-sensing device shall be equipped with a top and a bottom shutoff valve of such through-flow construction as to prevent stoppage by deposits of sediments. See PG-60.3.7(a) through (e) for examples of acceptance valve construction. If the bottom valve is more than 7 ft (2 m) above the floor or platform from which it is operated, the operating mechanism shall indicate by its position whether the valve is open or closed. The pressure-

<sup>21</sup> Such float-type devices are calibrated for a specific range of pressures and temperatures, and restrictions specified by the remote indicator manufacturer shall be satisfied.

temperature rating of valves, fittings, and piping shall be at least equal to the boiler MAWP and the corresponding saturated-steam temperature.

Straight-run globe valves shall not be used on such connections. Automatic shutoff valves as referenced here, are valves intended to automatically restrict flow in the event of a gage glass failure without human intervention, and shall conform to the requirements given in A-18.

**PG-60.1.7** As used in this section, "automated isolation valve" shall be taken to mean a device that is actuated electrically, pneumatically, or hydraulically to temporarily isolate a gage glass. It is required that the closing and opening sequences of such a device be manually initiated by the operator.

Automated isolation valves may be used, provided

(a) all piping and fittings between the sight glass and the boiler, or sight glass and water column, are designed for internal inspection and cleaning, or are designed to allow passage internally of a rotary cleaning tool. The valves shall be of such through-flow construction as to prevent stoppage by deposits of sediment.

(b) the valves are equipped with opened and closed indicators that can readily be seen from the valve operating floor or platform. The design of the valves shall be such as to prevent indicating a false opened or closed condition.

(c) a means of manually opening and closing the valves from the valve operating floor or platform is provided.

(d) automated isolation valves are designed to fail-safe in the as-is condition.

## PG-60.2 Water Columns

**PG-60.2.1** A water column shall be so mounted that it will be correctly positioned, relative to the normal water level under operating conditions.

**PG-60.2.3** Each water column shall be furnished with a connection of at least NPS  $\frac{3}{4}$  (DN 20) to install a valved drain to a safe point of discharge.

**PG-60.2.4** The design and material of a water column shall comply with the requirements of PG-8.2, PG-8.3, and PG-42.

## PG-60.3 Connections

**PG-60.3.1** Gage glasses that are required by PG-60.1 shall be connected directly to the shell or drum of the boiler or to an intervening water column. When two gage glasses are required, both may be connected to a single water column.

**PG-60.3.2** The lower edge of the steam connection between a water column, gage glass, or austenitic stainless steel or nickel-based alloy water level-sensing device in the boiler shall not be below the highest visible water level in the gage glass. There shall be no sag or offset in the piping that will permit the accumulation of water.

**PG-60.3.3** The upper edge of the water connection between a water column, gage glass, or austenitic stainless steel or nickel-based alloy water level-sensing device and the boiler shall not be above the lowest visible water level in the gage glass. No part of this pipe connection shall be above the point of connection at the water column.

**PG-60.3.4** Connections from the boiler to the water column shall be at least NPS 1 (DN 25). Connections for gage glasses connected directly to the boiler or to an intervening water column shall be at least NPS  $\frac{1}{2}$  (DN 15). Connections from the boiler to the remote level indicator shall be at least NPS  $\frac{3}{4}$  (DN 20) to and including the isolation valve and from there to the remote level indicator at least  $\frac{1}{2}$  in. (13 mm) O.D. tubing.

**PG-60.3.5** When the boiler MAWP exceeds 400 psi (3 MPa), lower connections to drums for water columns and remote level indicators shall be provided with shields, sleeves, or other suitable means to reduce the effect of temperature differentials in the shells or heads.

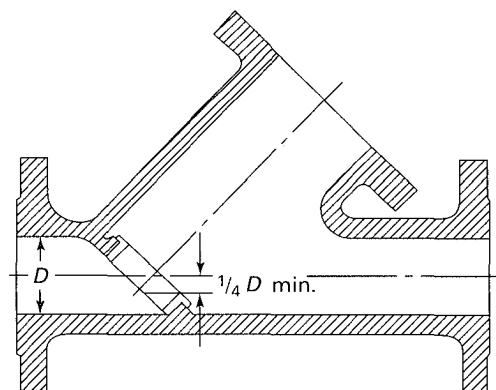
**PG-60.3.6** The steam and water connections to a water column, gage glass, or austenitic stainless steel or nickel-based alloy water level-sensing device shall be readily accessible for internal inspection and cleaning. Some acceptable methods of meeting this requirement are by providing a cross or fitting with a back outlet at each right-angle turn to permit inspection and cleaning in both directions, or by using pipe bends or fittings of a type that does not leave an internal shoulder or pocket in the pipe connection and with a radius of curvature that will permit the passage of a rotary cleaner. Screwed plug closures using threaded connections as allowed by PG-39.5.3 are acceptable means of access for this inspection and cleaning. When the boiler MAWP exceeds 400 psig (3 MPa), socket-welded plugs may be used for this purpose in lieu of screwed plugs. If the water connection to the water column has a rising bend or pocket that cannot be drained by means of the water-column drain, an additional drain shall be placed on this connection so that it may be blown off to clear any sediment from the pipe.

**PG-60.3.7** Shutoff valves, including automated valves as described in PG-60.1.7, if provided in the pipe connections between a boiler and a water column or between a boiler and the shutoff valves required for the gage glass, or austenitic stainless steel or nickel-based alloy water level-sensing device (PG-60.1.6), shall be of such through-flow construction as to prevent stoppage by deposits of sediment and shall indicate whether they are in open or closed position of the operating mechanism.

Some examples of acceptable valves are

- (a) outside-screw-and-yoke type gate valve
- (b) lever-lifting-type gate valve with permanently fastened lever

FIG. PG-60.3.7 Y-TYPE GLOBE VALVE



(c) stopcock with the plug held in place by a guard or gland

(d) ball valve

(e) Y-type globe valve with rising stem so constructed that the lowest edge of the seat is at least 25% of the inside diameter below the centerline of the valve as shown in Fig. PG-60.3.7.

Such valves shall be locked or sealed open except under the following additional conditions:

- (1) The boiler MAWP shall not exceed 250 psig (1.7 MPa).
- (2) The boiler shall not be hand fired or fired with solid fuel not in suspension.
- (3) Interlocks between the valve and the burner control system shall stop fuel supply and prevent firing whenever the valve between the drum and the water column is not in the fully open position.
- (4) The minimum valve size shall be NPS 1 (DN 25).

**PG-60.3.7.1** Automated isolation valves (as described in PG-60.1.7) need not be locked or sealed open as noted above.

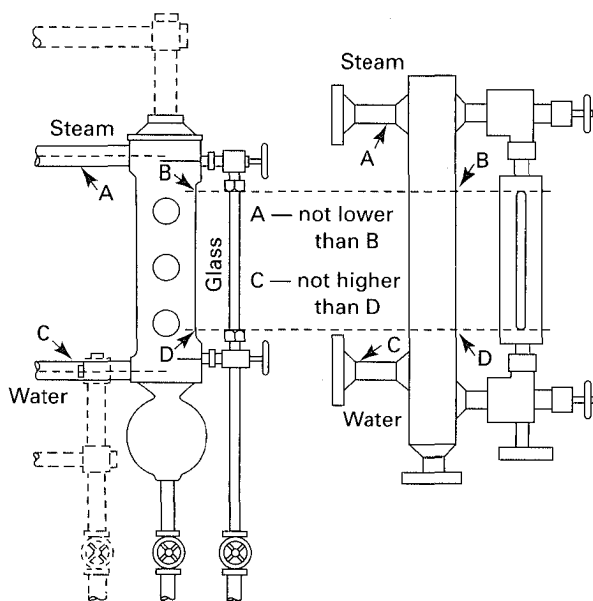
**PG-60.3.8** Except for control devices such as damper regulators and feedwater regulators, drains, steam pressure gages, or apparatus of such form as does not permit the escape of an appreciable amount of steam or water therefrom, no outlet connections shall be placed on the piping connecting a water column or gage glass to a boiler. No outlet connections shall be placed on the piping connecting a remote level indicator to the boiler or to a water column for any function other than water level indication.

**PG-60.3.9** An acceptable arrangement is shown in Fig. PG-60.3.9.

**PG-60.4 Gage Cocks.** Not required.

**PG-60.5 Water Fronts.** Each boiler fitted with a water jacketed boiler-furnace mouth protector, or similar appliance having valves on the pipes connecting them to the

FIG. PG-60.3.9 TYPICAL ARRANGEMENT OF STEAM AND WATER CONNECTIONS FOR A WATER COLUMN



boiler shall have these valves locked or sealed open. Such valves, when used, shall be of the straightway type.

#### PG-60.6 Pressure Gages

**PG-60.6.1** Each boiler shall have a pressure gage so located that it is easily readable. The pressure gage shall be installed so that it shall at all times indicate the pressure in the boiler. Each steam boiler shall have the pressure gage connected to the steam space or to the water column or its steam connection. A valve or cock shall be placed in the gage connection adjacent to the gage. An additional valve or cock may be located near the boiler providing it is locked or sealed in the open position. No other shutoff valves shall be located between the gage and the boiler. The pipe connection shall be of ample size and arranged so that it may be cleared by blowing out. For a steam boiler the gage or connection shall contain a syphon or equivalent device that will develop and maintain a water seal that will prevent steam from entering the gage tube. Pressure gage connections shall be suitable for the maximum allowable working pressure and temperature, but if the temperature exceeds 406°F (208°C), brass or copper pipe or tubing shall not be used. The connections to the boiler, except the syphon, if used, shall not be less than NPS  $\frac{1}{4}$  (DN 8) but where steel or wrought iron pipe or tubing is used, they shall not be less than  $\frac{1}{2}$  in. (13 mm) inside diameter. The minimum size of a syphon, if used, shall be  $\frac{1}{4}$  in. (6 mm) inside diameter. The dial of the pressure gage shall be graduated to approximately double the pressure at which the safety valve is set, but in no case to less than  $1\frac{1}{2}$  times this pressure.

**PG-60.6.2** Each forced-flow steam generator with no fixed steam and waterline shall be equipped with pressure gages or other pressure measuring devices located as specified in PG-60.6.2.1 through PG-60.6.2.3.

**PG-60.6.2.1** at the boiler or superheater outlet (following the last section, which involves absorption of heat)

**PG-60.6.2.2** at the boiler or economizer inlet (preceding any section that involves absorption of heat), and

**PG-60.6.2.3** upstream of any shutoff valve that may be used between any two sections of the heat absorbing surface

**PG-60.6.3** Each boiler shall be provided with a valve connection at least NPS  $\frac{1}{4}$  (DN 8) for the exclusive purpose of attaching a test gage when the boiler is in service, so that the accuracy of the boiler pressure gage can be ascertained.

**PG-60.6.4** Each high-temperature water boiler shall have a temperature gage so located and connected that it shall be easily readable. The temperature gage shall be installed so that it at all times indicates the temperature in degrees Fahrenheit (Celsius) of the water in the boiler, at or near the outlet connection.

#### PG-61 FEEDWATER SUPPLY

**PG-61.1** Except as provided for in PG-61.2 and PG-61.4, boilers having more than 500 ft<sup>2</sup> (47 m<sup>2</sup>) of water-heating surface shall have at least two means of feeding water. Except as provided for in PG-61.3, PG-61.4, and PG-61.5, each source of feeding shall be capable of supplying water to the boiler at a pressure of 3% higher than the highest setting of any pressure relief valve on the boiler proper. For boilers that are fired with solid fuel not in suspension, and for boilers whose setting or heat source can continue to supply sufficient heat to cause damage to the boiler if the feed supply is interrupted, one such means of feeding shall not be susceptible to the same interruption as the other, and each shall provide sufficient water to prevent damage to the boiler.

**PG-61.2** Except as provided for in PG-61.1, a boiler fired by gaseous, liquid, or solid fuel in suspension, or heated by combustion turbine engine exhaust, may be equipped with a single means of feeding water, provided means are furnished for the shutting off of its heat input prior to the water level reaching the lowest permissible level established by PG-60.

**PG-61.3** For boilers having a water-heating surface of more than 100 ft<sup>2</sup> (9.3 m<sup>2</sup>), the feed water connection to the boiler shall be not less than NPS  $\frac{3}{4}$  (DN 20).

For boilers having a water-heating surface of 100 ft<sup>2</sup> (9.3 m<sup>2</sup>) or less, the feed water connection to the boiler shall be not less than NPS  $\frac{1}{2}$  (DN 15).

Boilers with 20 ft<sup>2</sup> (1.9 m<sup>2</sup>) or less of water heating surface may have the feed water delivered through the blowoff opening.

**PG-61.4** High-temperature water boilers shall be provided with means of adding water to the boiler or system while under pressure.

**PG-61.5** A forced-flow steam generator with no fixed steam and waterline shall be provided with a source of feeding capable of supplying water to the boiler at a pressure not less than the expected maximum sustained pressure at the boiler inlet, as determined by the boiler Manufacturer, corresponding to operation at maximum designed steaming capacity with maximum allowable working pressure at the superheater outlet.

## OVERPRESSURE PROTECTION REQUIREMENTS

### PG-67 BOILER

- (10) **PG-67.1** Each boiler shall have at least one pressure relief valve and if it has more than 500 ft<sup>2</sup> (47 m<sup>2</sup>) of bare tube water-heating surface, or if an electric boiler has a power input more than 1,100 kW, it shall have two or more pressure relief valves. For a boiler with combined bare tube and extended water-heating surface exceeding 500 ft<sup>2</sup> (47 m<sup>2</sup>), two or more pressure relief valves are required only if the design steam generating capacity of the boiler exceeds 4,000 lb/hr (1 800 kg/hr). Organic fluid vaporizer generators require special consideration as given in Part PVG.

**PG-67.2** The pressure relief valve capacity for each boiler (except as noted in PG-67.4) shall be such that the pressure relief valve, or valves will discharge all the steam that can be generated by the boiler without allowing the pressure to rise more than 6% above the highest pressure at which any valve is set and in no case to more than 6% above the maximum allowable working pressure.

**PG-67.2.1** The minimum required relieving capacity of the pressure relief valves for all types of boilers shall be not less than the maximum designed steaming capacity at the MAWP of the boiler, as determined by the Manufacturer and shall be based on the capacity of all the fuel burning equipment as limited by other boiler functions.

**PG-67.2.2** The minimum required relieving capacity for a waste heat boiler shall be determined by the Manufacturer. When auxiliary firing is to be used in combination with waste heat recovery, the maximum output as determined by the boiler Manufacturer shall include the effect of such firing in the total required capacity. When auxiliary

firing is to be used in place of waste heat recovery, the minimum required relieving capacity shall be based on auxiliary firing or waste heat recovery, whichever is higher.

**PG-67.2.3** The minimum required relieving capacity for electric boilers shall be in accordance with PEB-15.

**PG-67.2.4** The minimum required relieving capacity in lb/hr (kg/hr) for a high-temperature water boiler shall be determined by dividing the maximum output in Btu/hr (W) at the boiler nozzle, produced by the highest heating value fuel for which the boiler is designed, by 1,000 (646).

**PG-67.2.5** The minimum required relieving capacity for organic fluid vaporizers shall be in accordance with PVG-12. The minimum required relieving capacity for miniature boilers shall be in accordance with PMB-15.

**PG-67.2.6** Any economizer that may be shut off from the boiler, thereby permitting the economizer to become a fired pressure vessel, shall have one or more pressure relief valves with a total discharge capacity, in lb/hr (kg/hr), calculated from the maximum expected heat absorption in Btu/hr (W), as determined by the Manufacturer, divided by 1,000 (646). This absorption shall be stated in the stamping (PG-106.4). For overpressure conditions where the fluid relieved is water, the discharge capacity of the pressure relief valve, or valves shall be sufficient to prevent the pressure from exceeding the limits of PG-67.2.

**PG-67.2.7** The steam generated when all pressure relief valves are relieving at full lift on a boiler that has a steam-generating surface located downstream in the gas stream of a superheater and/or reheater surface may exceed the maximum designed steaming capacity at the MAWP of the boiler. The Manufacturer shall address this by one of the following methods:

**PG-67.2.7.1** The minimum required relieving capacity of the pressure relief valves shall not be less than the steam that may be generated with all pressure relief valves relieving at full lift. For boilers that use auxiliary firing in combination with the primary heat source, the Manufacturer shall include the effect of such firing in the total required capacity.

**PG-67.2.7.2** The minimum required relieving capacity of the pressure relief valves shall not be less than the maximum designed steaming capacity at the MAWP of the boiler, and the boiler shall be provided with controls responsive to steam pressure, which include not less than the following:

(a) a control that reduces that total heat input to the boiler such that the steam generated does not exceed the maximum designed steaming capacity at the MAWP of the boiler

(b) a control that trips the heat input to the boiler if the pressure reaches 106% of the MAWP of the boiler



**PG-67.3** One or more pressure relief valves on the boiler proper shall be set at or below the maximum allowable working pressure (except as noted in PG-67.4). If additional valves are used the highest pressure setting shall not exceed the maximum allowable working pressure by more than 3%. The complete range of pressure settings of all the saturated-steam pressure relief valves on a boiler shall not exceed 10% of the highest pressure to which any valve is set. Pressure setting of pressure relief valves on high-temperature water boilers<sup>22</sup> may exceed this 10% range. Economizer pressure relief devices required by PG-67.2.6 shall be set as above using the MAWP of the economizer.

**PG-67.4** For a forced-flow steam generator with no fixed steam and waterline (Fig. PG-67.4), equipped with automatic controls and protective interlocks responsive to steam pressure, pressure relief valves may be provided in accordance with the above paragraphs or the following protection against overpressure shall be provided:

**PG-67.4.1** One or more power-actuated pressure relieving valves<sup>23</sup> shall be provided in direct communication with the boiler when the boiler is under pressure and shall receive a control impulse to open when the maximum allowable working pressure at the superheater outlet, as shown in the master stamping (PG-106.3), is exceeded. The total combined relieving capacity of the power-actuated relieving valves shall be not less than 10% of the maximum design steaming capacity of the boiler under any operating condition as determined by the Manufacturer. The valve or valves shall be located in the pressure part system where they will relieve the overpressure.

An isolating stop valve of the outside-screw-and-yoke or ball type may be installed between the power-actuated pressure relieving valve and the boiler to permit repairs provided an alternate power-actuated pressure relieving valve of the same capacity is so installed as to be in direct communication with the boiler in accordance with the requirements of this paragraph.

The isolating stop valve port area shall at least equal the area of the inlet of the power-actuated pressure relieving valve. If the isolating stop valve is of the ball type, the

<sup>22</sup> Pressure relief valves in hot water service are more susceptible to damage and subsequent leakage, than pressure relief valves relieving steam. It is recommended that the maximum allowable working pressure of the boiler and the pressure relief valve setting for high-temperature water boilers be selected substantially higher than the desired operating pressure so as to minimize the times the pressure relief valve must lift.

<sup>23</sup> The power-actuated pressure relieving valve is one whose movements to open or close are fully controlled by a source of power (electricity, air, steam, or hydraulic). The valve may discharge to atmosphere or to a container at lower pressure. The discharge capacity may be affected by the downstream conditions, and such effects shall be taken into account. If the power-actuated pressure relieving valves are also positioned in response to other control signals, the control impulse to prevent overpressure shall be responsive only to pressure and shall override any other control function.

valve shall include a means to clearly identify whether the valve is in the open or closed position. If the isolating stop valve is power actuated (air, motor, hydraulic, etc.), a manual override mechanism shall be provided.

Power-actuated pressure relieving valves discharging to intermediate pressure and incorporated into bypass and/or startup circuits by the boiler Manufacturer need not be capacity certified. Instead, they shall be marked by the valve manufacturer with a capacity rating at a set of specified inlet pressure and temperature conditions. Power-actuated pressure relieving valves discharging directly to atmosphere shall be capacity certified. This capacity certification shall be conducted in accordance with the provisions of PG-69.3. The valves shall be marked in accordance with the provisions of PG-69.4.

**PG-67.4.2** Pressure relief valves shall be provided, having a total combined relieving capacity, including that of the power-actuated pressure relieving capacity installed under PG-67.4.1, of not less than 100% of the maximum designed steaming capacity of the boiler, as determined by the Manufacturer, except the alternate provisions of PG-67.4.3 are satisfied. In this total, no credit in excess of 30% of the total required relieving capacity shall be allowed for the power-actuated pressure relieving valves actually installed. Any or all of the pressure relief valves may be set above the maximum allowable working pressure of the parts to which they are connected, but the set pressures shall be such that when all of these valves (together with the power-actuated pressure relieving valves) are in operation the pressure will not rise more than 20% above the maximum allowable working pressure of any part of the boiler, except for the steam piping between the boiler and the prime mover.

**PG-67.4.3** The total installed capacity of pressure relief valves may be less than the requirements of PG-67.4.2 provided all of the following conditions are met.

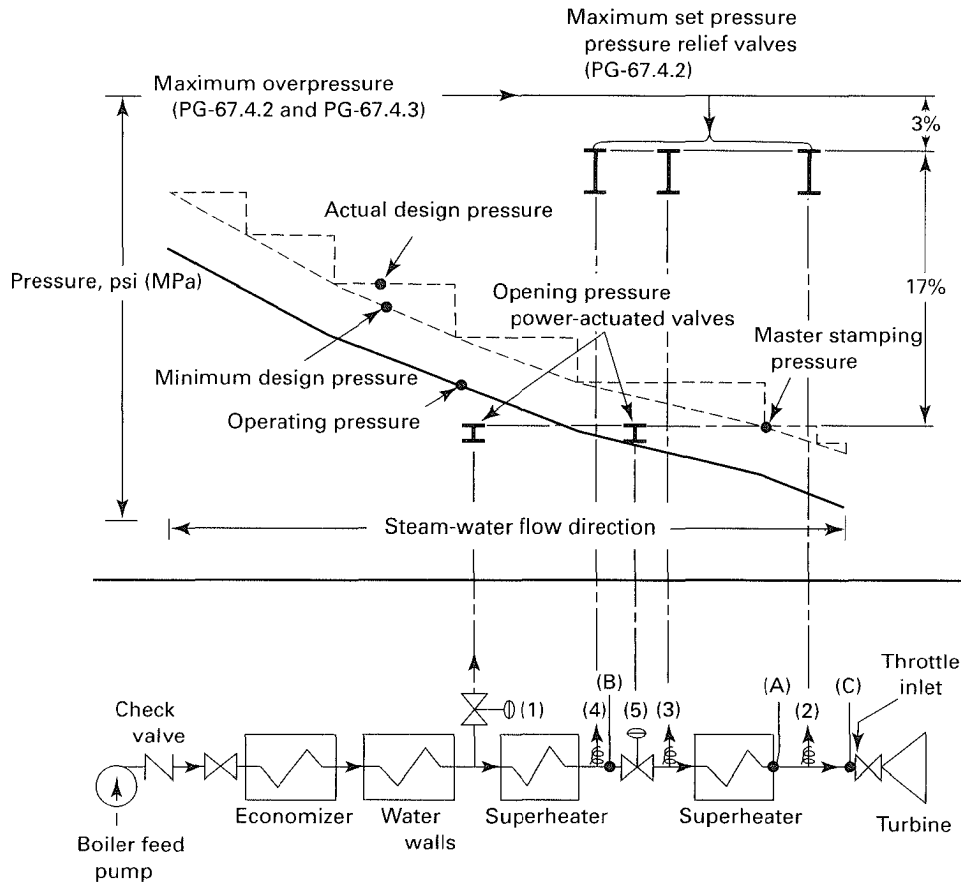
**PG-67.4.3.1** The boiler shall be of no less steaming capacity than 1,000,000 lb/hr (450 000 kg/hr) and installed in a unit system for power generation (i.e., a single boiler supplying a single turbine-generator unit).

**PG-67.4.3.2** The boiler shall be provided with automatic devices, responsive to variations in steam pressure, which include not less than all the following:

**PG-67.4.3.2.1** A control capable of maintaining steam pressure at the desired operating level and of modulating firing rates and feedwater flow in proportion to a variable steam output.

**PG-67.4.3.2.2** A control that overrides PG-67.4.3.2.1 by reducing the fuel rate and feedwater flow when the steam pressure exceeds the maximum allowable working pressure as shown in the master stamping (PG-106.3) by 10%, and

FIG. PG-67.4 REQUIREMENTS FOR OVERPRESSURE PROTECTION FORCED-FLOW STEAM GENERATOR



**Pressure**

- (A) = master stamping (PG-106.3)
- (B) = component design at inlet to stop valve (5) (PG-67.4.4.1)
- (C) = turbine throttle inlet (ASME B31.1, para. 122.1.2, A.4)

**Pressure Relief and Power-Actuated Valves**

- (1) = power actuated (PG-67.4.1)
- (2), (3), and (4) = pressure relief valve (PG-67.4.2)
- (5) = superheater stop (PG-67.4.4)

**Pressure Relief Valve Flow Capacity (minimum, based on rated capacity of boiler)**

- (1) = 10% - 30% (PG-67.4.1)
- (2) = minimum of one valve (PG-68.1)
- (2) + (3) when downstream to stop valve (5) = that required for independently fired superheaters (PG-68.3)
- (2) + (3) + (4) = 100% - (1) (PG-67.4.2)

**Pressure Relief Valve Opening Pressure (maximum)**

- (1) = (A), and (B) when there is stop valve (5) (PG-67.4.1)
- (2), (3), and (4) = (A) + 17% (PG-67.4.2)
- (5) = (A) (PG-67.4.1)

**Alternate Requirements for Pressure Relief Valves**

**Pressure Relief Valve Flow Capacity (minimum, based on rated capacity of boiler)**

- (1) = 10% - 30% (PG-67.4.1)
- (2) = one valve minimum (PG-68.1)
- (2) + (3) when downstream to stop valve (5) = that required for independently fired superheaters (PG-68.3)
- (4) = 10% total with minimum of two valves when there is a stop valve (5) (PG-67.5.3.3)
- (2) + (4) = 10% with minimum of two valves when there is no stop valve (5) (PG-67.4.3.3)

**Pressure Relief Valve Opening Pressure (maximum)**

- (1) = (A), and (B) when there is stop valve (5) (PG-67.4.1)
- (2), (3), and (4) = (A) + 20% (PG-67.4.3.3)
- (5) = (A) (PG-67.4.1)

**Automatic Pressure Controls (PG-67.4.3)**

- (a) at (C) for normal operation under load (PG-67.4.3.2.1)
- (b) at (A) + 10% to override control (a) (PG-67.4.3.2.2)
- (c) at (A) + 20% to shut off flow of fuel and feedwater (PG-67.4.3.2.3)
- (d) pressure relief valves at (4) to shut off flow of fuel and feedwater by "fail-safe" power circuit (PG-67.4.3.4)

**PG-67.4.3.2.3** A direct-acting overpressure-trip-actuating mechanism, using an independent pressure sensing device, that will stop the flow of fuel and feedwater to the boiler, at a pressure higher than the set pressure of PG-67.4.3.2.2, but less than 20% above the maximum allowable working pressure as shown in the master stamping (PG-106.3).

**PG-67.4.3.3** There shall be not less than two pressure relief valves and the total rated relieving capacity of the pressure relief valves shall be not less than 10% of the maximum designed steaming capacity of the boiler as determined by the Manufacturer. These pressure relief valves may be set above the maximum allowable working pressure of the parts to which they are connected but shall be set such that the valves will lift at a pressure no higher than 20% above the maximum allowable working pressure as shown in the master stamping (PG-106.3).

**PG-67.4.3.4** At least two of these pressure relief valves shall be equipped with a device that directly transmits the valve stem lift action to controls that will stop the flow of fuel and feedwater to the boiler. The control circuitry to accomplish this shall be arranged in a "fail-safe" manner (see Note).

NOTE: "Fail-safe" shall mean a circuitry arranged as either of the following:

(a) *Energize to trip:* There shall be at least two separate and independent trip circuits served by two power sources, to initiate and perform the trip action. One power source shall be a continuously charged DC battery. The second source shall be an AC-to-DC converter connected to the DC system to charge the battery and capable of performing the trip action. The trip circuits shall be continuously monitored for availability.

It is not mandatory to duplicate the mechanism that actually stops the flow of fuel and feedwater.

(b) *De-energize to trip:* If the circuits are arranged in such a way that a continuous supply of power is required to keep the circuits closed and operating and such that any interruption of power supply will actuate the trip mechanism, then a single trip circuit and single power supply will be enough to meet the requirements of this subparagraph.

**PG-67.4.3.5** The power supply for all controls and devices required by PG-67.4.3 shall include at least one source contained within the same plant as the boiler and which is arranged to actuate the controls and devices continuously in the event of failure or interruption of any other power sources.

**PG-67.4.4** When stop valves are installed in the water-steam flow path between any two sections of a forced-flow steam generator with no fixed steam and waterline,

**PG-67.4.4.1** The power-actuated pressure relieving valve(s) required by PG-67.4.1 shall also receive a control impulse to open when the maximum allowable working pressure of the component, having the lowest pressure level upstream to the stop valve, is exceeded, and

**PG-67.4.4.2** The pressure relief valves shall be located to provide the pressure protection requirements in PG-67.4.2 or PG-67.4.3.

**PG-67.4.5** A reliable pressure-recording device shall always be in service and records kept to provide evidence of conformity to the above requirements.

**PG-67.5** The coefficient of discharge of pressure relief valves shall be determined by actual steam flow measurements at a pressure not more than 3% above the pressure at which the valve is set to relieve and when adjusted for blowdown in accordance with PG-69.1.4. The valves shall be credited with capacities as determined by the provisions of PG-69.2.

Pressure relief valves may be used that give any opening up to the full discharge capacity of the area of the opening of the inlet of the valve, provided the movement of a steam pressure relief valve is such as not to induce lifting of water in the boiler.

For high-temperature water boilers pressure relief valves shall be used. Such valves shall have a closed bonnet. In addition the pressure relief valves shall be capable of satisfactory operation when relieving water at the saturation temperature corresponding to the pressure at which the valve is set to blow.

## **PG-68 SUPERHEATER AND REHEATER**

**PG-68.1** Except as permitted in PG-58.3.1, every attached superheater shall have one or more pressure relief valves in the steam flow path between the superheater outlet and the first stop valve. The location shall be suitable for the service intended and shall provide the overpressure protection required. The pressure drop upstream of each pressure relief valve shall be considered in the determination of set pressure and relieving capacity of that valve. If the superheater outlet header has a full, free steam passage from end to end and is so constructed that steam is supplied to it at practically equal intervals throughout its length so that there is a uniform flow of steam through the superheater tubes and the header, the pressure relief valve, or valves, may be located anywhere in the length of the header.

**PG-68.2** The discharge capacity of the pressure relief valve, or valves, on an attached superheater may be included in determining the number and size of the pressure relief valves for the boiler, provided there are no intervening valves between the superheater pressure relief valve and the boiler, and provided the discharge capacity of the pressure relief valve, or valves, on the boiler, as distinct from the superheater is at least 75% of the aggregate valve capacity required.

**PG-68.3** Every isolable superheater that may be shut off from the boiler and permit the superheater to become

a fired pressure vessel and all nonintegral separately fired superheaters shall have one or more pressure relief valves having a discharge capacity equal to  $6 \text{ lb/ft}^2$  ( $29 \text{ kg/m}^2$ ) of steam per hour, using the superheater surface measured on the side exposed to the hot gases. As an alternative the Manufacturer may also calculate the minimum pressure relief valve discharge capacity in lb (kg) of steam per hour from the maximum expected heat absorption (as determined by the Manufacturer) in Btu/hr (W), divided by 1,000 (646). In the case of electrically heated superheaters, the pressure relief valve capacity shall be based upon  $3\frac{1}{2} \text{ lb}$  ( $1.6 \text{ kg}$ )/hr/kW input. The number of pressure relief valves installed shall be such that the total capacity is at least equal to that required. Pressure relief valves for separately fired superheaters shall be located in accordance with the rules of PG-68.1 and the mounting rules of PG-71.

**PG-68.4** Every reheater shall have one or more pressure relief valves, such that the total relieving capacity is at least equal to the maximum steam flow for which the heater is designed. The capacity of the reheater pressure relief valves shall not be included in the required relieving capacity for the boiler and superheater.

One or more pressure relief valves with a combined relieving capacity not less than 15% of the required total shall be located along the steam flow path between the reheater outlet and the first stop valve. The pressure drop upstream of the pressure relief valves on the outlet side of the reheater shall be considered in determining their set pressure.

**PG-68.5** A soot blower connection may be attached to the same outlet from the superheater or reheater that is used for the pressure relief valve connection.

**PG-68.6** Every pressure relief valve used on a superheater or reheater discharging superheated steam at a temperature over  $450^\circ\text{F}$  ( $230^\circ\text{C}$ ) shall have a casing, including the base, body, and, if applicable, bonnet and spindle, of steel, steel alloy, or equivalent heat-resisting material.

The pressure relief valve shall have a flanged inlet connection, or a weld-end inlet connection. It shall have the seat and disk of suitable heat erosive and corrosive resisting material, and the spring of direct spring-loaded safety valves shall be fully exposed outside of the valve casing so that it shall be protected from contact with the escaping steam.

**PG-68.7** The capacity of a pressure relief valve on superheated steam shall be calculated by multiplying the capacity determined in accordance with PG-69.2 by the appropriate superheat correction factor  $K_{sh}$ , from Table PG-68.7.

## **PG-69 CERTIFICATION OF CAPACITY OF PRESSURE RELIEF VALVES**

**PG-69.1** Before the Code symbol is applied to any pressure relief valve or power-actuated pressure relieving valve, the valve manufacturer shall have the relieving capacity of his pressure relief valves certified in accordance with the provisions of this paragraph.

**PG-69.1.1** Capacity certification tests shall be conducted using dry saturated steam. The limits for test purposes shall be 98% minimum quality and  $20^\circ\text{F}$  ( $10^\circ\text{C}$ ) maximum superheat. Correction from within these limits may be made to the dry saturated condition.

**PG-69.1.2** Tests shall be conducted at a place that meets the requirements of A-312.

**PG-69.1.3** Capacity test data reports for each pressure relief valve design and size, signed by the manufacturer and Authorized Observer witnessing the tests, together with drawings showing the valve construction, shall be submitted to the ASME designee for review and acceptance.<sup>24</sup>

**PG-69.1.4** Capacity certification tests shall be conducted at a pressure that does not exceed the set pressure by 3% or 2 psi (15 kPa), whichever is greater. Pressure relief valves shall be adjusted so that the blowdown does not exceed 4% of the set pressure. For pressure relief valves set at or below 100 psi (700 kPa), the blowdown shall be adjusted so as not to exceed 4 psi (30 kPa). Pressure relief valves used on forced-flow steam generators with no fixed steam and waterline, and pressure relief valves used on high-temperature water boilers shall be adjusted so that the blowdown does not exceed 10% of the set pressure. The reseating pressure shall be noted and recorded.

**PG-69.1.5** Capacity certification of pilot operated pressure relief valves may be based on tests without the pilot valves installed, provided prior to capacity tests it has been demonstrated by test to the satisfaction of the Authorized Observer that the pilot valve will cause the main valve to open fully at a pressure which does not exceed the set pressure by more than 3% or 2 psi (15 kPa), whichever is greater, and that the pilot valve in combination with the main valve will meet all of the requirements of this Section. (10)

**PG-69.1.6** Pressure relief valves for economizer service shall also be capacity certified using water at a temperature between  $40^\circ\text{F}$  and  $125^\circ\text{F}$  ( $4^\circ\text{C}$  and  $50^\circ\text{C}$ ). The pressure relief valves shall be tested without change to the adjustments established in PG-69.1.1 to PG-69.1.4. (10)

<sup>24</sup> Valve capacities are published in "Pressure Relief Device Certifications." This publication may be obtained from the National Board of Boiler and Pressure Vessel Inspectors, 1055 Crupper Ave., Columbus, OH 43299.





TABLE PG-68.7M  
SUPERHEAT CORRECTION FACTOR,  $K_{sh}$  (CONT'D)

Flowing Pressure (MPa)	Superheat Correction Factor, $K_{sh}$ Total Temperature, °C, of Superheated Steam																	
	205	225	250	275	300	325	350	375	400	425	450	475	500	525	550	575	600	625
17.00	...	...	...	...	...	...	...	0.944	0.9	0.856	0.823	0.796	0.773	0.752	0.734	0.717	0.702	0.688
17.25	...	...	...	...	...	...	...	0.944	0.9	0.855	0.822	0.794	0.771	0.75	0.732	0.715	0.7	0.686
17.50	...	...	...	...	...	...	...	0.944	0.9	0.854	0.82	0.792	0.769	0.748	0.73	0.713	0.698	0.684
17.75	...	...	...	...	...	...	...	0.944	0.9	0.853	0.819	0.791	0.767	0.746	0.728	0.711	0.696	0.681
18.00	...	...	...	...	...	...	...	0.944	0.901	0.852	0.817	0.789	0.765	0.744	0.725	0.709	0.694	0.679
18.25	...	...	...	...	...	...	...	0.945	0.901	0.851	0.815	0.787	0.763	0.742	0.723	0.706	0.691	0.677
18.50	...	...	...	...	...	...	...	0.945	0.901	0.85	0.814	0.785	0.761	0.739	0.72	0.704	0.689	0.674
18.75	...	...	...	...	...	...	...	0.945	0.901	0.849	0.812	0.783	0.758	0.737	0.718	0.701	0.686	0.671
19.00	...	...	...	...	...	...	...	0.946	0.901	0.847	0.81	0.781	0.756	0.734	0.715	0.698	0.683	0.669
19.25	...	...	...	...	...	...	...	0.948	0.901	0.846	0.808	0.778	0.753	0.732	0.713	0.696	0.681	0.666
19.50	...	...	...	...	...	...	...	0.95	0.9	0.844	0.806	0.776	0.75	0.729	0.71	0.693	0.677	0.663
19.75	...	...	...	...	...	...	...	0.952	0.899	0.842	0.803	0.773	0.748	0.726	0.707	0.69	0.674	0.66
20.00	...	...	...	...	...	...	...	...	0.899	0.84	0.801	0.77	0.745	0.723	0.704	0.687	0.671	0.657
20.25	...	...	...	...	...	...	...	...	0.899	0.839	0.798	0.767	0.742	0.72	0.701	0.683	0.668	0.654
20.50	...	...	...	...	...	...	...	...	0.899	0.837	0.795	0.764	0.738	0.717	0.697	0.68	0.665	0.651
20.75	...	...	...	...	...	...	...	...	0.898	0.834	0.792	0.761	0.735	0.713	0.694	0.677	0.661	0.647
21.00	...	...	...	...	...	...	...	...	0.896	0.832	0.79	0.758	0.732	0.71	0.691	0.673	0.658	0.643
21.25	...	...	...	...	...	...	...	...	0.894	0.829	0.786	0.754	0.728	0.706	0.686	0.669	0.654	0.64
21.50	...	...	...	...	...	...	...	...	0.892	0.826	0.783	0.75	0.724	0.702	0.682	0.665	0.65	0.636
21.75	...	...	...	...	...	...	...	...	0.891	0.823	0.779	0.746	0.72	0.698	0.679	0.661	0.646	0.631
22.00	...	...	...	...	...	...	...	...	0.887	0.82	0.776	0.743	0.716	0.694	0.674	0.657	0.641	0.627

**PG-69.2** Relieving capacities shall be determined using one of the following methods.

**PG-69.2.1 Three Valve Method.** A capacity certification test is required on a set of three pressure relief valves for each combination of size, design, and pressure setting. The capacity of each valve of the set shall fall within a range of ±5% of the average capacity. If one of the three pressure relief valves tested falls outside this range, it shall be replaced by two valves, and a new average shall be calculated based on all four valves, excluding the replaced valve. Failure of any of the four capacities to fall within a range of ±5% of the new average shall be cause to refuse certification of that particular valve design.

The rated relieving capacity for each combination of design, size, and test pressure shall be 90% of the average capacity.

**PG-69.2.2 Slope Method.** If a Manufacturer wishes to apply the Code Symbol to a design of pressure relief valves, four valves of each combination of pipe size and orifice size shall be tested. These four valves shall be set at pressures that cover the approximate range of pressures for which the valve will be used or covering the range available at the certified test facility that shall conduct the tests. The capacities based on these four tests shall be as follows:

(a) The slope  $W/P$  of the actual measured capacity versus the flow pressure for each test point shall be calculated and averaged

For steam

$$\text{slope} = \frac{W}{P} = \frac{\text{measured capacity}}{\text{absolute flow rating pressure}}$$

For water

$$\text{slope} = \frac{W}{P} = \frac{\text{measured capacity}}{\sqrt{(\text{flow rating pressure}) - (\text{discharge pressure})}}$$

All values derived from the testing must fall within ±5% of the average value

$$\text{minimum slope} = 0.95 \times \text{average slope}$$

$$\text{maximum slope} = 1.05 \times \text{average slope}$$

If the values derived from the testing do not fall between the minimum and maximum slope values, the Authorized Observer shall require that additional valves be tested at the rate of two for each valve beyond the maximum and minimum values with a limit of four additional valves.

For steam applications the relieving capacity to be stamped on the valve shall not exceed 90% of the average slope times the absolute accumulation pressure

$$\text{rated slope} = 0.90 \times \text{average slope}$$

For water applications the relieving capacity shall not exceed 90% of the average slope multiplied by the square root of the difference between the flow rating pressure and the valve discharge pressure.

$$\text{rated slope} = 0.9 \times \text{average slope}$$

$$\times \sqrt{\text{flow rating pressure} - \text{discharge pressure}}$$

(U.S. Customary Units)

stamped capacity ≤ rated slope (1.03 × set pressure + 14.7) or (set pressure + 2 psi + 14.7), whichever is greater

(SI Units)

stamped capacity  $\leq$  rated slope (1.03  $\times$  set pressure + 0.101) or (set pressure + 0.015 MPa + 0.101), whichever is greater

- (10) **PG-69.2.3 Coefficient of Discharge Method.** A coefficient of discharge for the design,  $K$ , may be established for a specific valve design according to the following procedure:

(a) For each design, the pressure relief valve manufacturer shall submit for test at least three valves for each of three different sizes (a total of nine valves). Each valve of a given size shall be set at a different pressure, covering the range of pressures for which the valve will be used or the range available at the facility where the tests are conducted.

For each valve design where the coefficient of discharge has been determined that is intended to be restricted in lift, the Manufacturer shall have capacity tests conducted on three valves of different sizes. Each size valve shall be tested for capacity at the minimum lift for which certification is required, and at two intermediate lift points between the full rated lift and minimum lift certification points. Each of the three test valves shall be set at a different pressure.

For each valve tested, it shall be verified that actual measured capacity at restricted lift will equal or exceed the rated capacity at full rated lift multiplied by the ratio of measured restricted lift to full rated lift.

(b) Tests shall be made on each pressure relief valve to determine its lift at capacity, popping, and blowdown pressures, and actual relieving capacity. An individual coefficient,  $K_D$ , shall be established for each valve as follows:

$$K_D = \frac{\text{actual flow}}{\text{theoretical flow}} = \text{individual coefficient of discharge}$$

Where actual flow is determined by test and theoretical flow,  $W_T$  is calculated by one of the following equations:

For tests with dry saturated steam

For 45 deg seat

(U.S. Customary Units)

$$W_T = 51.5 \times \pi D L P \times 0.707$$

(SI Units)

$$W_T = 5.25 \times \pi D L P \times 0.707$$

For flat seat

(U.S. Customary Units)

$$W_T = 51.5 \times \pi D L P$$

(SI Units)

$$W_T = 5.25 \times \pi D L P$$

For nozzle

(U.S. Customary Units)

$$W_T = 51.5 A P$$

(SI Units)

$$W_T = 5.25 A P$$

For tests with water

For 45 deg seat

(U.S. Customary Units)

$$W_T = 2,407 \pi D L (0.707) \sqrt{(P - P_d)w}$$

(SI Units)

$$W_T = 5,092 \pi D L (0.707) \sqrt{(P - P_d)w}$$

For flat seat

(U.S. Customary Units)

$$W_T = 2,407 \pi D L \sqrt{(P - P_d)w}$$

(SI Units)

$$W_T = 5,092 \pi D L \sqrt{(P - P_d)w}$$

For nozzle

(U.S. Customary Units)

$$W_T = 2,407 A \sqrt{(P - P_d)w}$$

(SI Units)

$$W_T = 5,092 A \sqrt{(P - P_d)w}$$

where

$A$  = nozzle throat area, in.<sup>2</sup> (mm<sup>2</sup>)

$D$  = seat diameter, in. (mm)

$L$  = lift at pressure  $P$ , in. (mm)

$P$  = (1.03  $\times$  set pressure + 14.7), psia, or

= (set pressure + 2 + 14.7), psia, whichever is greater

= (1.03  $\times$  set pressure + 0.101), MPa, or

= (set pressure + 0.014 + 0.101), MPa, whichever is greater

$P_d$  = pressure at discharge of the valve, psia (MPa)

$W_T$  = theoretical flow, lb/hr (kg/hr)

$w$  = specific weight of water at inlet conditions, lb/ft<sup>3</sup> (kg/m<sup>3</sup>)

To convert lb/hr of water to gal/min of water, multiply the capacity in lb/hr by  $1/500$ . To convert kg/hr of water to liter/min of water, multiply the capacity in liter/min by  $1/60$ .

The average of the coefficients  $K_D$  of the nine tests required shall be multiplied by 0.90, and this product shall be taken as the coefficient  $K$  of that design. All individual coefficients of discharge,  $K_D$ , shall fall within a range of  $\pm 5\%$



of the average coefficient found. If a valve fails to meet this requirement, the Authorized Observer shall require two additional valves to be tested as replacements for each valve having an individual coefficient,  $K_D$ , outside the  $\pm 5\%$  range, with a limit of four additional valves. Failure of a coefficient,  $K_D$ , to fall within  $\pm 5\%$  of the new average value, excluding the replaced valve(s), shall be cause to refuse certification of that particular valve design.

The rated relieving capacity of all sizes and set pressures of a given design, for which  $K$  has been established under the provision of this paragraph, shall be determined by the following equation:

$$W \leq W_T \times K$$

where

$K$  = coefficient of discharge for the design

$W$  = rated relieving capacity, lb/hr (kg/hr)

$W_T$  = theoretical flow, defined by the same equation used to determine  $K_D$ , lb/hr (kg/hr)

The coefficient of discharge for the design shall be not greater than 0.878 (the product of  $0.9 \times 0.975$ ). The coefficient shall not be applied to valves whose beta ratio (ratio of valve throat to inlet diameter) lies outside the range of 0.15 to 0.75, unless tests have demonstrated that the individual coefficient of discharge,  $K_D$ , for valves at the extreme ends of a larger range, is within  $\pm 5\%$  of the average coefficient,  $K_D$ .

For designs where the lift is used to determine the flow area, all valves shall have the same nominal lift to seat diameter ratio ( $L/D$ ).

For pressures over 1,500 psig (10.3 MPa) and up to 3,200 psig (22.1 MPa), the value of  $W$  shall be multiplied by the correction factor

(U.S. Customary Units)

$$\frac{0.1906P - 1,000}{0.2292P - 1,061}$$

(SI Units)

$$\frac{27.6P - 1,000}{33.2P - 1,061}$$

For pressures over 3,200 psig (22.1 MPa), the value of  $W$  shall be multiplied by the appropriate supercritical correction factor,  $K_{sc}$ , from Table PG-69.2.3.

**PG-69.3** If a manufacturer wishes to apply the Code symbol to a power-actuated pressure relieving valve under PG-67.4.1, one valve of each combination of inlet pipe size and orifice size to be used with that inlet pipe size shall be tested. The valve shall be capacity tested at four different pressures approximately covering the range of the certified test facility on which the tests are conducted. The capacities, as determined by these four tests, shall be plotted against the absolute flow test pressure and a line

drawn through these four test points. All points must lie within  $\pm 5\%$  in capacity value of the plotted line and must pass through 0-0. From the plotted line, the slope of the line  $dW/dP$  shall be determined and a factor of  $(0.90/51.45) \times (dW/dP)$  shall be applied to capacity computations in the supercritical region at elevated pressures by means of the isentropic flow equation.

(U.S. Customary Units)

$$W = 1,135.8 \frac{0.90}{51.45} \times \frac{dW}{dP} \sqrt{\frac{P}{v}}$$

(SI Units)

$$W = 1,135.8 \frac{0.95}{5.25} \times \frac{dW}{dP} \sqrt{\frac{P}{v}}$$

where

$dW/dP$  = rate of change of measured capacity with respect to absolute pressure

$P$  = absolute inlet pressure, psia (MPa)

$v$  = inlet specific volume, ft<sup>3</sup>/lb (m<sup>3</sup>/kg)

$W$  = capacity, lb of steam/hr (kg/hr)

NOTE: The constant 1,135.8 is based on a  $\gamma$  factor of 1.30, which is accurate for superheated steam at temperature above approximately 800°F (430°C). In interest of accuracy, other methods of capacity computations must be used at temperatures below 800°F (430°C) at supercritical pressures.

**PG-69.4** Power-actuated pressure relieving valves, having capacities certified in accordance with the provision of PG-69.3 and computed in accordance with the formula contained therein, shall be marked as required by PG-110 with the computed capacity, corresponding to 3% above the full load operating pressure and temperature conditions at the valve inlet when the valve is operated by the controller, and they shall also be stamped with the set pressure of the controller. When the valve is marked as required by this paragraph, it shall be the guarantee by the manufacturer that the valve also conforms to the details of construction herein specified.

**PG-69.6** When changes are made in the design of a pressure relief valve or power-actuated pressure relieving valve in such a manner as to affect the flow path, lift, or performance characteristics of the valve, new tests in accordance with this Section shall be performed.

## PG-70 CAPACITY OF PRESSURE RELIEF VALVES

**PG-70.1** Subject to the minimum number required by PG-67.1, the number of pressure relief valves required shall be determined on the basis of the maximum designed

## 2010 SECTION I

TABLE PG-69.2.3  
 SUPERCRITICAL CORRECTION FACTOR,  $K_{sc}$

Flowing Pressure, psia	Total Temperature, °F, of Supercritical Steam									
	750	800	850	900	950	1,000	1,050	1,100	1,150	1,200
3,208.2	1.059	0.971	0.913	0.872	0.839	0.811	0.788	0.767	0.748	0.731
3,250	1.064	0.975	0.916	0.874	0.841	0.813	0.788	0.767	0.748	0.731
3,300	1.070	0.980	0.919	0.876	0.842	0.814	0.790	0.768	0.749	0.732
3,350	1.077	0.985	0.922	0.878	0.844	0.815	0.791	0.769	0.750	0.732
3,400	1.084	0.990	0.925	0.881	0.846	0.817	0.792	0.770	0.750	0.733
3,450	1.091	0.996	0.929	0.883	0.848	0.818	0.793	0.771	0.751	0.734
3,500	1.100	1.002	0.932	0.885	0.849	0.819	0.794	0.772	0.752	0.734
3,550	1.109	1.008	0.935	0.888	0.851	0.821	0.795	0.773	0.753	0.735
3,600	1.118	1.014	0.939	0.890	0.853	0.822	0.796	0.774	0.754	0.735
3,650	1.129	1.020	0.943	0.893	0.855	0.824	0.797	0.775	0.754	0.736
3,700	1.141	1.027	0.946	0.895	0.857	0.825	0.799	0.775	0.755	0.737
3,750	1.153	1.034	0.950	0.898	0.859	0.827	0.800	0.776	0.756	0.737
3,800	1.168	1.041	0.954	0.900	0.861	0.828	0.801	0.777	0.757	0.738
3,850	1.186	1.048	0.958	0.903	0.862	0.830	0.802	0.778	0.757	0.739
3,900	1.205	1.056	0.962	0.906	0.864	0.831	0.803	0.779	0.758	0.739
3,950	1.227	1.064	0.966	0.908	0.866	0.833	0.804	0.780	0.759	0.740
4,000	1.251	1.072	0.970	0.911	0.868	0.834	0.806	0.781	0.760	0.741
4,050	1.279	1.080	0.974	0.914	0.870	0.836	0.807	0.782	0.760	0.741
4,100	1.310	1.089	0.978	0.916	0.872	0.837	0.808	0.783	0.761	0.742
4,150	1.343	1.098	0.983	0.919	0.874	0.839	0.809	0.784	0.762	0.743
4,200	1.395	1.107	0.987	0.922	0.876	0.840	0.810	0.785	0.763	0.743
4,250	1.444	1.116	0.992	0.925	0.878	0.842	0.812	0.786	0.764	0.744
4,300	1.491	1.125	0.997	0.928	0.881	0.844	0.813	0.787	0.765	0.745
4,350	1.538	1.135	1.002	0.931	0.883	0.845	0.814	0.788	0.765	0.745
4,400	...	1.146	1.007	0.934	0.885	0.847	0.815	0.789	0.766	0.746
4,450	...	1.157	1.012	0.937	0.887	0.848	0.817	0.790	0.767	0.746
4,500	...	1.169	1.017	0.940	0.889	0.850	0.818	0.791	0.768	0.747
4,550	...	1.181	1.022	0.943	0.892	0.852	0.819	0.792	0.768	0.748
4,600	...	1.194	1.027	0.947	0.894	0.853	0.820	0.793	0.769	0.749
4,650	...	1.207	1.033	0.950	0.896	0.855	0.822	0.794	0.770	0.749
4,700	...	1.220	1.038	0.953	0.898	0.857	0.823	0.795	0.771	0.750
4,750	...	1.234	1.044	0.957	0.900	0.858	0.824	0.796	0.772	0.751
4,800	...	1.248	1.050	0.960	0.903	0.860	0.826	0.797	0.773	0.751
4,850	...	1.263	1.056	0.963	0.905	0.862	0.827	0.798	0.774	0.752
4,900	...	1.278	1.062	0.967	0.908	0.863	0.828	0.799	0.774	0.753
4,950	...	1.294	1.069	0.970	0.910	0.865	0.830	0.800	0.775	0.753
5,000	...	1.310	1.075	0.974	0.912	0.867	0.831	0.801	0.776	0.754
5,050	...	1.326	1.082	0.978	0.915	0.869	0.832	0.803	0.777	0.755
5,100	...	1.343	1.088	0.981	0.917	0.871	0.834	0.804	0.778	0.755
5,150	...	1.360	1.095	0.985	0.920	0.872	0.835	0.805	0.779	0.756
5,200	...	1.377	1.102	0.989	0.922	0.874	0.837	0.806	0.780	0.757
5,250	...	1.393	1.109	0.993	0.925	0.876	0.838	0.807	0.780	0.758
5,300	...	1.411	1.116	0.997	0.927	0.878	0.839	0.808	0.781	0.758
5,350	...	1.427	1.123	1.001	0.930	0.880	0.841	0.809	0.782	0.759
5,400	...	1.443	1.131	1.004	0.933	0.882	0.842	0.810	0.783	0.760
5,450	...	1.460	1.139	1.009	0.935	0.884	0.844	0.811	0.784	0.760
5,500	...	1.476	1.146	1.013	0.938	0.886	0.845	0.812	0.785	0.761
5,550	...	1.491	1.154	1.017	0.941	0.887	0.846	0.813	0.786	0.762
5,600	...	1.507	1.162	1.021	0.943	0.889	0.848	0.815	0.787	0.763

TABLE PG-69.2.3  
SUPERCRITICAL CORRECTION FACTOR,  $K_{sc}$  (CONT'D)

Flowing Pressure, psia	Total Temperature, °F, of Supercritical Steam									
	750	800	850	900	950	1,000	1,050	1,100	1,150	1,200
5,650	...	1.522	1.171	1.025	0.946	0.891	0.849	0.816	0.788	0.763
5,700	...	1.536	1.179	1.030	0.949	0.893	0.851	0.817	0.788	0.764
5,750	...	1.551	1.187	1.034	0.952	0.895	0.852	0.818	0.789	0.765
5,800	...	1.565	1.195	1.038	0.955	0.897	0.854	0.819	0.790	0.765
5,850	...	1.578	1.204	1.043	0.957	0.899	0.855	0.820	0.791	0.766
5,900	...	1.591	1.212	1.047	0.960	0.901	0.857	0.821	0.792	0.767
5,950	...	1.603	1.221	1.052	0.963	0.903	0.858	0.823	0.793	0.768
6,000	...	1.615	1.229	1.057	0.966	0.906	0.860	0.824	0.794	0.768

steaming capacity, as determined by the boiler Manufacturer, and the relieving capacity marked on the valves by the manufacturer.

#### PG-71 MOUNTING OF PRESSURE RELIEF VALVES

**PG-71.1** When two or more pressure relief valves are used on a boiler, they may be mounted either separately or as twin valves made by placing individual valves on Y-bases, or duplex valves having two valves in the same body casing. Twin valves made by placing individual valves on Y-bases, or duplex valves having two valves in the same body, shall be of approximately equal capacity.

When not more than two valves of different sizes are mounted singly the relieving capacity of the smaller valve shall be not less than 50% of that of the larger valve.

**PG-71.2** The pressure relief valve or valves shall be connected to the boiler independent of any other connection, and attached as close as possible to the boiler or the normal steam flow path, without any unnecessary intervening pipe or fitting. Such intervening pipe or fitting shall be not longer than the face-to-face dimension of the corresponding tee fitting of the same diameter and pressure under the applicable ASME Standard listed in PG-42 and shall also comply with PG-8 and PG-39. Every pressure relief valve shall be connected so as to stand in an upright position, with spindle vertical. On high-temperature water boilers of the watertube forced-circulation type, the valve shall be located at the boiler outlet.

**PG-71.3** The opening or connection between the boiler and the pressure relief valve shall have at least the area of the valve inlet. No valve of any description shall be placed between the required pressure relief valve or valves and the boiler, nor on the discharge pipe between the pressure relief valve and the atmosphere. When a discharge pipe is used, the cross-sectional area shall be not less than the full area of the valve outlet or of the total of the areas of the

valve outlets, discharging thereinto. It shall be as short and straight as possible and so arranged as to avoid undue stresses on the valve or valves.

All pressure relief valve discharges shall be so located or piped as to be carried clear from running boards or platforms. Ample provision for gravity drain shall be made in the discharge pipe at or near each pressure relief valve, and where water of condensation may collect. Each valve shall have an open gravity drain through the casing below the level of the valve seat. For iron- and steel-bodied valves exceeding NPS 2½ (DN 65), the drain hole shall be tapped not less than NPS ¾ (DN 10).

Discharge piping from pressure relief valves on high-temperature water boilers shall be provided with adequate provisions for water drainage as well as the steam venting.

The installation of cast iron bodied pressure relief valves for high-temperature water boilers is prohibited.

**PG-71.4** If a muffler is used on a pressure relief valve, it shall have sufficient outlet area to prevent back pressure from interfering with the proper operation and discharge capacity of the valve. The muffler plates or other devices shall be so constructed as to avoid a possibility of restriction of the steam passages due to deposit. Mufflers shall not be used on high-temperature water boiler pressure relief valves.

When a pressure relief valve is exposed to outdoor elements that may affect operation of the valve, it is permissible to shield the valve with a satisfactory cover. The shield or cover shall be properly vented and arranged to permit servicing and normal operation of the valve.

**PG-71.5** When a boiler is fitted with two or more pressure relief valves on one connection, this connection to the boiler shall have a cross-sectional area not less than the combined areas of inlet connections of all the pressure relief valves with which it connects and shall also meet the requirements of PG-71.3.

2010 SECTION I

TABLE PG-69.2.3M  
 SUPERCRITICAL CORRECTION FACTOR,  $K_{SC}$

Flowing Pressure, MPa	Total Temperature, °C, of Supercritical Steam										
	400	425	450	475	500	525	550	575	600	625	650
22.12	1.056	0.976	0.922	0.883	0.851	0.824	0.801	0.781	0.762	0.745	0.730
22.25	1.058	0.978	0.924	0.884	0.852	0.825	0.802	0.781	0.763	0.746	0.730
22.50	1.063	0.982	0.926	0.886	0.853	0.826	0.803	0.782	0.763	0.746	0.731
22.75	1.067	0.985	0.929	0.887	0.855	0.827	0.803	0.783	0.764	0.747	0.731
23.00	1.072	0.989	0.931	0.889	0.856	0.828	0.804	0.783	0.764	0.747	0.732
23.25	1.077	0.993	0.934	0.891	0.858	0.830	0.805	0.784	0.765	0.748	0.732
23.50	1.082	0.997	0.937	0.893	0.859	0.831	0.806	0.785	0.766	0.748	0.732
23.75	1.087	1.001	0.939	0.895	0.860	0.832	0.807	0.785	0.766	0.749	0.733
24.00	1.093	1.006	0.942	0.897	0.862	0.833	0.808	0.786	0.767	0.749	0.733
24.25	1.099	1.010	0.945	0.899	0.863	0.834	0.809	0.787	0.768	0.750	0.734
24.50	1.106	1.014	0.948	0.901	0.865	0.835	0.810	0.788	0.768	0.751	0.734
24.75	1.112	1.019	0.950	0.903	0.866	0.836	0.811	0.789	0.769	0.751	0.735
25.00	1.120	1.024	0.953	0.905	0.868	0.837	0.812	0.789	0.769	0.752	0.735
25.25	1.128	1.029	0.956	0.907	0.869	0.839	0.813	0.790	0.770	0.752	0.736
25.50	1.136	1.034	0.959	0.909	0.871	0.840	0.814	0.791	0.771	0.753	0.736
25.75	1.145	1.039	0.962	0.911	0.872	0.841	0.815	0.792	0.771	0.753	0.737
26.00	1.155	1.045	0.966	0.913	0.874	0.842	0.816	0.792	0.772	0.754	0.737
26.25	1.166	1.050	0.969	0.915	0.875	0.843	0.817	0.793	0.773	0.754	0.737
26.50	1.178	1.056	0.972	0.917	0.877	0.845	0.818	0.794	0.773	0.755	0.738
26.75	1.192	1.062	0.975	0.919	0.879	0.846	0.819	0.795	0.774	0.755	0.738
27.00	1.206	1.068	0.979	0.921	0.880	0.847	0.820	0.796	0.775	0.756	0.739
27.25	1.222	1.074	0.982	0.924	0.882	0.848	0.820	0.796	0.775	0.756	0.739
27.50	1.239	1.081	0.985	0.926	0.883	0.850	0.821	0.797	0.776	0.757	0.740
27.75	1.258	1.088	0.989	0.928	0.885	0.851	0.822	0.798	0.777	0.758	0.740
28.00	1.278	1.095	0.992	0.930	0.887	0.852	0.824	0.799	0.777	0.758	0.741
28.25	1.300	1.102	0.996	0.933	0.888	0.854	0.825	0.800	0.778	0.759	0.741
28.50	1.323	1.109	1.000	0.935	0.890	0.855	0.826	0.801	0.779	0.759	0.742
28.75	1.354	1.117	1.004	0.937	0.892	0.856	0.827	0.801	0.779	0.760	0.742
29.00	1.390	1.126	1.007	0.940	0.893	0.857	0.828	0.802	0.780	0.760	0.743
29.25	1.424	1.134	1.011	0.942	0.895	0.859	0.829	0.803	0.781	0.761	0.743
29.50	1.457	1.143	1.015	0.945	0.897	0.860	0.830	0.804	0.781	0.762	0.744
29.75	1.490	1.151	1.019	0.947	0.899	0.861	0.831	0.805	0.782	0.762	0.744
30.00	...	1.158	1.023	0.950	0.900	0.863	0.832	0.806	0.783	0.763	0.745
30.25	...	1.098	1.028	0.952	0.902	0.864	0.833	0.806	0.784	0.763	0.745
30.50	...	1.083	1.032	0.955	0.904	0.865	0.834	0.807	0.784	0.764	0.746
30.75	...	1.090	1.036	0.957	0.906	0.867	0.835	0.808	0.785	0.764	0.746
31.00	...	1.099	1.041	0.960	0.908	0.868	0.836	0.809	0.786	0.765	0.746
31.25	...	1.107	1.046	0.963	0.910	0.870	0.837	0.810	0.786	0.766	0.747
31.50	...	1.115	1.050	0.966	0.911	0.871	0.838	0.811	0.787	0.766	0.748
31.75	...	1.124	1.055	0.968	0.913	0.872	0.839	0.812	0.788	0.767	0.748
32.00	...	1.133	1.060	0.971	0.915	0.874	0.840	0.812	0.788	0.767	0.748
32.25	...	1.142	1.065	0.974	0.917	0.875	0.841	0.813	0.789	0.768	0.749
32.50	...	1.151	1.070	0.977	0.919	0.877	0.843	0.814	0.790	0.769	0.750
32.75	...	1.160	1.075	0.980	0.921	0.878	0.844	0.815	0.791	0.769	0.750
33.00	...	1.170	1.080	0.983	0.923	0.879	0.845	0.816	0.791	0.770	0.750
33.25	...	1.180	1.085	0.986	0.925	0.881	0.846	0.817	0.792	0.770	0.751
33.50	...	1.190	1.091	0.988	0.927	0.882	0.847	0.818	0.793	0.771	0.751
33.75	...	1.201	1.096	0.992	0.929	0.884	0.848	0.819	0.793	0.772	0.752
34.00	...	1.211	1.102	0.995	0.931	0.885	0.849	0.820	0.794	0.772	0.752

2010 SECTION I

TABLE PG-69.2.3M  
SUPERCRITICAL CORRECTION FACTOR,  $K_{sc}$  (CONT'D)

Flowing Pressure, MPa	Total Temperature, °C, of Supercritical Steam										
	400	425	450	475	500	525	550	575	600	625	650
34.25	...	1.222	1.108	0.998	0.933	0.887	0.850	0.820	0.795	0.773	0.753
34.50	...	1.233	1.114	1.001	0.935	0.888	0.852	0.821	0.796	0.773	0.753
34.75	...	1.244	1.119	1.004	0.937	0.890	0.853	0.822	0.796	0.774	0.754
35.00	...	1.255	1.125	1.007	0.939	0.891	0.854	0.823	0.797	0.775	0.754
35.25	...	1.267	1.131	1.011	0.941	0.893	0.855	0.824	0.798	0.775	0.755
35.50	...	1.278	1.137	1.014	0.944	0.894	0.856	0.825	0.799	0.776	0.755
35.75	...	1.290	1.144	1.017	0.946	0.896	0.858	0.826	0.799	0.776	0.756
36.00	...	1.301	1.150	1.021	0.948	0.898	0.859	0.827	0.800	0.777	0.757
36.25	...	1.313	1.156	1.024	0.950	0.899	0.860	0.828	0.801	0.778	0.757
36.50	...	1.324	1.162	1.027	0.952	0.901	0.861	0.829	0.802	0.778	0.758
36.75	...	1.336	1.169	1.031	0.955	0.902	0.862	0.830	0.802	0.779	0.758
37.00	...	1.347	1.175	1.034	0.957	0.904	0.864	0.831	0.803	0.779	0.759
37.25	...	1.358	1.182	1.038	0.959	0.906	0.865	0.832	0.804	0.780	0.759
37.50	...	1.369	1.188	1.042	0.961	0.907	0.866	0.833	0.805	0.781	0.760
37.75	...	1.380	1.195	1.045	0.964	0.909	0.867	0.834	0.805	0.781	0.760
38.00	...	1.391	1.201	1.049	0.966	0.910	0.868	0.834	0.806	0.782	0.761
38.25	...	1.402	1.208	1.053	0.968	0.912	0.870	0.835	0.807	0.783	0.761
38.50	...	1.412	1.215	1.056	0.971	0.914	0.871	0.836	0.808	0.783	0.762
38.75	...	1.422	1.222	1.060	0.973	0.915	0.872	0.837	0.809	0.784	0.762
39.00	...	1.433	1.228	1.064	0.975	0.917	0.873	0.838	0.809	0.784	0.763
39.25	...	1.443	1.235	1.068	0.978	0.919	0.875	0.839	0.810	0.785	0.763
39.50	...	1.453	1.242	1.072	0.980	0.921	0.876	0.840	0.811	0.786	0.764
39.75	...	1.463	1.248	1.076	0.983	0.922	0.877	0.841	0.812	0.786	0.764
40.00	...	1.472	1.255	1.080	0.985	0.924	0.879	0.842	0.812	0.787	0.765
40.25	...	1.481	1.262	1.084	0.988	0.926	0.880	0.843	0.813	0.788	0.765
40.50	...	1.490	1.268	1.088	0.990	0.928	0.881	0.844	0.814	0.788	0.766
40.75	...	1.499	1.275	1.092	0.993	0.929	0.882	0.845	0.815	0.789	0.766
41.00	...	1.507	1.282	1.096	0.995	0.931	0.884	0.846	0.816	0.790	0.767
41.25	...	1.515	1.288	1.100	0.998	0.933	0.885	0.847	0.816	0.790	0.767

**PG-71.6** Pressure relief valves may be attached to drums or headers by welding provided the welding is done in accordance with Code requirements.

**PG-71.7** Every boiler shall have proper outlet connections for the required pressure relief valve, or valves, independent of any other outside steam connection, the area of opening to be at least equal to the aggregate areas of inlet connections of all of the pressure relief valves to be attached thereto. An internal collecting pipe, splash plate, or pan may be used, provided the total area for inlet of steam thereto is not less than twice the aggregate areas of the inlet connections of the attached pressure relief valves. The holes in such collecting pipes shall be at least ¼ in. (6 mm) in diameter and the least dimension in any other form of opening for inlet of steam shall be ¼ in. (6 mm).

Such dimensional limitations to operation for steam need not apply to steam scrubbers or driers provided the net free steam inlet area of the scrubber or drier is at least 10

times the total area of the boiler outlets for the pressure relief valves.

**PG-71.8** If pressure relief valves are attached to a separate steam drum or dome, the opening between the boiler proper and the steam drum or dome shall be not less than required by PG-71.7.

**PG-72 OPERATION OF PRESSURE RELIEF VALVES**

**PG-72.1** Pressure relief valves shall be designed and constructed to operate without chattering, with a minimum blowdown of 2 psi (15 kPa) or 2% of the set pressure, whichever is greater, and to attain full lift at a pressure not greater than 3% above their set pressure.

Pressure relief valves used on forced-flow steam generators with no fixed steam and waterline, and pressure relief valves used on high-temperature water boilers must be

marked for these special services by the valve Manufacturer or Assembler.

**PG-72.2** The set pressure tolerance plus or minus shall not exceed that specified in the following table:

Set Pressure, psi (MPa)	Tolerance, Plus or Minus From Set Pressure
≤ 70 (0.5)	2 psi (15 kPa)
70 (0.5) and ≤ 300 (2.1)	3% of set pressure
> 300 (2.1) and ≤ 1,000 (7.0)	10 psi (70 kPa)
> 1,000 (7.0)	1% of set pressure

**PG-72.3** The spring in a pressure relief valve shall not be reset for any pressure more than 5% above or below that for which the valve is marked unless the new setting is within the spring design range established by the manufacturer or is determined to be acceptable to the manufacturer.

If the set pressure is to be adjusted within the limits specified above, the adjustment shall be performed by the manufacturer, his authorized representative, or an assembler. An additional valve data tag identifying the new set pressure, capacity, and date shall be furnished and installed, and the valve shall be resealed.

**PG-72.4** If the set pressure of a valve is changed so as to require a new spring, the spring shall be acceptable to the manufacturer. The spring installation and valve adjustment shall be performed by the manufacturer, his authorized representative, or an assembler. A new nameplate as described in PG-110 shall be furnished and installed, and the valve shall be resealed.

**PG-73 MINIMUM REQUIREMENTS FOR PRESSURE RELIEF VALVES**

**PG-73.1 Permissible Pressure Relief Valves**

**PG-73.1.1** Pressure relief valves shall be either direct spring-loaded safety valves, direct spring-loaded safety relief valves, or pilot-operated pressure relief valves.

**PG-73.1.2** Power-actuated pressure relieving valves shall only be used for applications specified in PG-67.4.1.

**PG-73.1.3** Deadweight or weighted lever safety valves or safety relief valves shall not be used.

**PG-73.1.4** Unless otherwise defined, the definitions relating to pressure relief devices in ASME PTC 25 shall apply.

**PG-73.2 Minimum Requirements**

(10) **PG-73.2.1** All pressure relief valves shall be so constructed that the failure of any part cannot obstruct the free and full discharge of steam and water from the valve. Pressure relief valves shall have the seat inclined at any

angle between 45 deg and 90 deg, inclusive, to the centerline of the disk.

**PG-73.2.2** The design shall incorporate guiding arrangements necessary to insure consistent operation and tightness.

**PG-73.2.3** The spring shall be designed so that the full lift spring compression shall be no greater than 80% of the nominal solid deflection. The permanent set of the spring (defined as the difference between the free height and height measured 10 min after the spring has been compressed solid three additional times after presetting at room temperature) shall not exceed 0.5% of the free height.

**PG-73.2.4** To provide a means for verifying whether it is free, each safety valve or safety relief valve shall have a substantial lifting device, which when activated will release the seating force on the disk when the valve is subjected to pressure of at least 75% of the set pressure. The lifting device shall be such that it cannot lock or hold the valve disk in lifted position when the exterior lifting force is released. Disks of pressure relief valves used on high-temperature water boilers shall not be lifted while the temperature of the water exceeds 200°F (93°C). If it is desired to lift the valve disk to assure that it is free, this shall be done when the valve is subjected to a pressure of at least 75% of the set pressure. Pilot-operated pressure relief valves shall be provided with either a lifting device as described above or means for connecting and applying pressure to the pilot adequate to verify that the moving parts critical to proper operations are free to move. For high-temperature water boilers, the lifting mechanism shall be sealed against leakage.

**PG-73.2.5** The seat of a pressure relief valve shall be fastened to the body of the valve in such a way that there is no possibility of the seat lifting.

**PG-73.2.6** A body drain below seat level shall be provided in the valve and this drain shall not be plugged during or after field installation. For valves exceeding NPS 2½ (DN 65), the drain hole or holes shall be tapped not less than NPS ⅜ (DN 10). For valves of NPS 2½ (DN 65) or smaller, the drain hole shall not be less than ¼ in. (6 mm) in diameter.

**PG-73.2.7** In the design of the body of the valve, consideration shall be given to minimizing the effects of water deposits.

**PG-73.2.8** Valves having screwed inlet or outlet connections shall be provided with wrenching surfaces to allow for normal installation without damaging operating parts.

**PG-73.2.9** Means shall be provided in the design of all valves for use under this Section, for sealing all external adjustments. Seals shall be installed by the manufacturer, his authorized representative, or an assembler at the time of the initial adjustment. After spring replacement and/or

subsequent adjustment, the valve shall be resealed. Seals shall be installed in such a manner as to prevent changing the adjustment without breaking the seal and, in addition, shall serve as a means of identifying the manufacturer, his authorized representative, or the assembler making the adjustment.

**PG-73.2.10** Valve capacity may be restricted by restricting the lift of a valve provided the following requirements are met:

- (a) The valve size shall be NPS  $\frac{3}{4}$  (DN 20) or larger.
- (b) No changes shall be made in the design of the valve except to change the valve lift by use of a lift restraining device described in (c) below.
- (c) The restriction of valve capacity shall be permitted only by the use of a lift restraining device which shall limit valve lift and shall not otherwise interfere with flow through the valve. The design of the lift restraining device shall be subject to review by an ASME designee.
- (d) The lift restraining device shall be designed so that, if adjustable, the adjustable feature can be sealed. Seals shall be installed by the valve Manufacturer or Assembler at the time of initial adjustment.
- (e) Valves shall not have their lifts restricted to a value less than 30% of full rated lift, or 0.080 in. (2 mm).
- (f) When sizing and selecting valves, the restricted lift nameplate capacity shall be determined by multiplying the capacity at full rated lift by the ratio of the restricted lift to the full rated lift.

(10) **PG-73.2.11** A pressure relief valve over NPS 3 (DN 80), used for pressure greater than 15 psig (100 kPa), shall have a flanged inlet connection or a welded inlet connection. The dimensions of the flanges subjected to boiler pressure shall conform to the applicable ASME standards as given in PG-42. The facing shall be similar to those illustrated in the standard.

**PG-73.2.12** The pilot sensing line of pilot-operated pressure relief valves shall be adequately protected from freezing.

**PG-73.3 Material Selections**

**PG-73.3.1** Cast iron seats and disks are not permitted.

**PG-73.3.2** Adjacent sliding surfaces such as guides and disks or disk holders shall both be of corrosion-resistant material. Springs of corrosion-resistant material or having a corrosion-resistant coating are required. The seats and disks of pressure relief valves shall be of suitable material to resist corrosion by the lading fluid.

NOTE: The degree of corrosion resistance, appropriate to the intended service, shall be a matter of agreement between the manufacturer and the purchaser.

**PG-73.3.3** Materials used in bodies and bonnets or yokes shall be listed in Section II, Parts A and B, and

identified in Tables 1A and 1B of Section II Part D, as permitted for Section I construction. Materials used in body to bonnet or body to yoke bolting shall be listed in ASME B16.34. Materials used in all other parts required for the pressure relieving or retaining function shall be

- (a) listed in ASME Section II
- (b) listed in ASTM Specifications (see Note below) or
- (c) controlled by the manufacturer of the pressure relief valve by a specification ensuring control of chemical and physical properties and quality at least equivalent to ASTM Standards (see Note below)

**PG-73.3.4** Pressure relief valves may have bronze parts complying with either SB-61, SB-62, or SB-148, provided the maximum allowable stresses and temperatures do not exceed the values given in Table 1B of Section II, Part D, and shall be marked to indicate the class of material used. Such valves shall not be used on superheaters delivering steam at a temperature over 450°F (230°C) for SB-61 and SB-148, and 306°F (150°C) for SB-62, and shall not be used for high-temperature water boilers.

NOTE: It shall be the manufacturer's responsibility to ensure that the allowable stresses at temperature meet the requirements of Section II, Part D, Appendix 1, Mandatory Basis for Establishing Stress Values in Tables 1A and 1B.

**PG-73.4 Inspection of Manufacturing and/or Assembly**

**PG-73.4.1** A manufacturer shall demonstrate to the satisfaction of an ASME designee that his manufacturing, production, and test facilities and quality control procedures will ensure close agreement between the performance of random production samples and the performance of those valves submitted for capacity certification.

**PG-73.4.2** Manufacturing, assembly, inspection, and test operations including capacity, are subject to inspections at any time by an ASME designee.

**PG-73.4.3** A Manufacturer or Assembler may be granted permission to apply the V Code Symbol to production pressure relief valves capacity-certified in accordance with PG-69, provided the following tests are successfully completed. This permission shall expire on the sixth anniversary of the date it is initially granted. This permission may be extended for 6-yr periods if the following tests are successfully repeated within the 6-mo period before expiration. (10)

(a) Two sample production pressure relief valves of a size and capacity within the capability of an ASME-accepted laboratory shall be selected by an ASME designee. The maximum blowdown for these samples shall not exceed the value specified in the following table:

Set Pressure, psi (kPa)	Maximum Blowdown
< 67 (500)	4 psi (30 kPa)
≥ 67 (500) and ≤ 250 (1 700)	6% of set pressure
> 250 (1 700) and < 375 (2 500)	15 psi (100 kPa)
≥ 375 (2 500)	4% of set pressure

The blowdown for sample valves designed for use on forced flow steam generators with no fixed steam and waterline or high-temperature water boilers shall not exceed 10% of the set pressure.

(b) Operational and capacity tests shall be conducted in the presence of an ASME designee at an ASME-accepted laboratory. The valve manufacturer or assembler shall be notified of the time of the test and may have representatives present to witness the test.

(c) Should any valve fail to relieve at or above its certified capacity or should it fail to meet performance requirements in PG-72, the test shall be repeated at the rate of two replacement valves, selected in accordance with PG-73.4.3(a), for each valve that failed.

(d) Failure of any of the replacement valves to meet capacity or the performance requirements of this Section shall be cause for revocation within 60 days of the authorization to use the Code symbol on that particular type of valve. During this period, the Manufacturer or assembler shall demonstrate the cause of such deficiency and the action taken to guard against future occurrence.

**PG-73.4.4** Use of the Code Symbol Stamp by an assembler indicates the use of original unmodified parts in strict accordance with the instructions of the manufacturer of the valve.

(a) An assembler may transfer original and unmodified pressure relief parts produced by the Manufacturer to other Assemblers, provided the following conditions are met:

(1) both Assemblers have been granted permission to apply the V or UV Code Symbol to the specific valve type in which the parts are to be used

(2) the Quality Control System of the Assembler receiving the pressure relief valve parts shall define the controls for the procurement and acceptance of those parts

(3) the pressure relief valve parts are appropriately packaged, marked, or sealed by the Manufacturer to ensure that the parts are

(a) produced by the Manufacturer

(b) the parts are original and unmodified

(b) However, an assembler may convert original finished parts by either machining to another finished part or applying a corrosion-resistant coating to valve springs for a specific application under the following conditions:

(1) Conversions shall be specified by the Manufacturer. Drawings and/or written instructions used for part conversion shall be obtained from the Manufacturer and shall include a drawing or description of the converted part before and after the conversion.

(2) The Assembler's quality control system, as accepted by a representative from an ASME-designated organization, must describe in detail the conversion of original parts, provisions for inspection and acceptance, personnel training, and control of current Manufacturer's drawings and/or written instructions.

(3) The Assembler must document each use of a converted part.

(4) The Assembler must demonstrate to the Manufacturer the ability to perform each type of conversion. The Manufacturer shall document all authorizations granted to perform part conversions. The Manufacturer and Assembler shall maintain a file of such authorizations.

(5) For an Assembler to offer restricted lift valves, the Assembler must demonstrate to the satisfaction of the Manufacturer the ability to perform valve lift restrictions. The Manufacturer shall document all authorizations granted to restrict the lift of the valves, and shall maintain records of the lift restrictions made by the Assembler. The Assembler shall maintain a file of such authorizations.

(6) At least annually a review shall be performed by the Manufacturer of an Assembler's system and conversion capabilities. The Manufacturer shall document the results of these reviews. A copy of this documentation shall be kept on file by the Assembler. The review results shall be made available to a representative from an ASME designated organization.

NOTE: Within the requirements of PG-73.4 and PG-73.5, a *manufacturer* is defined as a person or organization who is completely responsible for design, material selection, capacity certification, manufacture of all component parts, assembly, testing, sealing, and shipping of pressure relief valves certified under this Section.

An *assembler* is defined as a person or organization who purchases or receives from a manufacturer the necessary component parts or valves and assembles, adjusts, tests, seals, and ships pressure relief valves certified under this Section at a geographical location other than and using facilities other than those used by the manufacturer.

### **PG-73.5 Testing by Manufacturers or Assemblers**

**PG-73.5.1 Pressure Testing.** Each pressure relief valve to which the Code Symbol Stamp is to be applied shall be subjected to the following tests by the Manufacturer or Assembler: (10)

(a) The pressure-containing parts of each valve shall be hydrostatically tested at a pressure at least 1.5 times the design pressure of the parts. Parts meeting the following criteria shall be exempt from pressure testing:

(1) the applied stress under hydrostatic test conditions does not exceed 50% of the allowable stress; and

(2) the part is not cast or welded.

(b) Alternatively, testing may be performed pneumatically at a pressure 1.25 times the design pressure of the part. Pneumatic testing can be hazardous; it is therefore recommended that special precautions be taken when conducting a pneumatic test.

(c) Testing may be done in the component or assembled condition.

(d) When the valve is designed for discharging directly to atmosphere, the valve components downstream of the valve disk are exempt from pressure testing.

(e) Valve components downstream of the disk and fully contained within the body are exempt from pressure testing.



(f) These tests shall be conducted after all machining and welding operations on the parts have been completed.

(g) There shall be no sign of leakage.

**PG-73.5.2** Every valve shall be tested with steam by the manufacturer or assembler to demonstrate its set point and pressure-containing integrity. The blowdown control elements of the pressure relief valve shall be set to the Manufacturer's specifications.

**PG-73.5.2.1** Tests shall be conducted either on equipment that meets the requirements of PG-73.5.6, or on the boiler, by raising the pressure to demonstrate the set pressure.

**PG-73.5.2.2** When the valve is beyond the production test equipment capabilities, an alternative test method presented in PG-73.5.2.2.1 or PG-73.5.2.2.2 may be used, provided all of the following conditions are met:

(a) testing the valve at full pressure may cause damage to the valve, or testing of the valve is impractical due to boiler system operational safety considerations

(b) the valve lift has been mechanically verified to meet or exceed the required lift

(c) the blowdown control elements of the safety valve are set to the valve manufacturer's specification

(d) the valve design is compatible with the alternative test method selected

**PG-73.5.2.2.1** The valve, with its lift temporarily restricted during the test, if required to prevent valve damage, shall be tested on steam to demonstrate set pressure.

**PG-73.5.2.2.2** The valve may be fitted with a hydraulic or pneumatic lift assist device and tested on steam at a pressure less than the valve set pressure. The lift assist device and test procedure shall be calibrated to provide the set pressure setting within the tolerance of PG-72.2.

#### **PG-73.5.3 Leak Test**

(a) A seat tightness test shall be conducted at maximum expected operating pressure but at a pressure not exceeding the reseating pressure of the valve. When being tested, a valve exhibiting no sign of leakage shall be considered adequately tight.

(b) Closed bonnet pressure relief valves designed for discharge to a closed system shall be tested with a minimum of 30 psig (200 kPa) air or other gas in the secondary pressure zone. There shall be no sign of leakage.<sup>25</sup>

**PG-73.5.4** A manufacturer or assembler shall have a documented program for the application, calibration, and maintenance of test gages.

**PG-73.5.5** Testing time on steam valves shall be sufficient to assure that test results are repeatable and representative of field performance.

**PG-73.5.6** Test fixtures and test drums, where applicable, shall be of adequate size and capacity to assure that the observed set pressure is consistent with the stamped set pressure within the tolerance required by PG-72.2.

**PG-73.6 Design Requirements.** At the time of submission of valves for capacity certification or testing in accordance with PG-69, the ASME designee has the authority to review design for conformity with the requirements of this Section and to reject or require modification of designs that do not conform, prior to capacity testing.

**PG-73.7 Code Symbol "V" Stamp.** Each pressure relief valve to which the Code "V" symbol (see Fig. PG-105.4) will be applied shall have been fabricated or assembled by a manufacturer or assembler holding a valid Certificate of Authorization (PG-105.2) and capacity certified in accordance with the requirements of this Section. A Certified Individual (CI) shall provide oversight to assure that each use of the Code "V" symbol on a pressure relief valve is in accordance with the requirements of this Section, and that each use of the Code "V" symbol is documented on a Certificate of Conformance, Form P-8.

**PG-73.7.1 Requirements for the Certified Individual (CI).** The CI shall

(a) be an employee of the manufacturer or assembler

(b) be qualified and certified by the manufacturer or assembler. Qualifications shall include as a minimum

(1) knowledge of the requirements of this Section for the application of the Code "V" symbol

(2) knowledge of the manufacturer's or assembler's quality program

(3) training commensurate with the scope, complexity, or special nature of the activities to which oversight is to be provided

(c) have a record, maintained and certified by the manufacturer or assembler, containing objective evidence of the qualifications of the CI and the training program provided

**PG-73.7.2 Duties of the Certified Individual (CI).** The CI shall

(a) verify that each item to which the Code "V" symbol is applied has a current capacity certification and meets all applicable requirements of this Section

(b) review documentation for each lot of items to be stamped to verify, for the lot, that requirements of this Section have been completed

(c) sign the Certificate of Conformance, Form P-8, prior to release of control of the pressure relief valves

#### **PG-73.7.3 Certificate of Conformance, Form P-8**

(a) The Certificate of Conformance, Form P-8, shall be filled out by the manufacturer or assembler and signed by

<sup>25</sup> The user may specify a higher test pressure commensurate with the back pressure anticipated in service.

the Certified Individual. Multiple duplicate pressure relief valves may be recorded as a single entry, provided the valves are identical and are produced in the same lot.

(b) The manufacturer's or assembler's written quality control program shall include requirements for completion of Certificates of Conformance, Form P-8, and retention, by the manufacturer or assembler, for a minimum of 5 years.

## FABRICATION

### PG-75 GENERAL

The fabrication of boilers and parts thereof shall conform to the general fabrication requirements in the following paragraphs and in addition to the specific requirements for fabrication in the Parts of this Section that pertain to the methods of construction used.

### PG-76 CUTTING PLATES AND OTHER STOCK

**PG-76.1** Plates may be cut by machining, punching, shearing, or cutting by the electric arc or gas process, providing enough metal is left at any unfinished edges to meet the requirements of PG-79.

**PG-76.2** When end faces of nozzle or manhole necks are to remain unwelded in the completed vessel, these end faces shall not be cut by shearing unless at least  $\frac{1}{8}$  in. (3 mm) of additional metal is removed by any method that will produce a smooth finish.

### PG-77 PLATE IDENTIFICATION

**PG-77.1** When the boiler is completed, there shall remain visible on shell plates, furnace sheets, and heads, one group of the plate manufacturer's stamps, consisting of the manufacturer's name, plate identification number, material specification number with grade, class, and type as appropriate, except that heads containing tube holes and buttstraps shall have visible at least a sufficient portion of such stamps for identification.

**PG-77.2** It is permissible for an authorized representative of the boiler Manufacturer to transfer the markings on the plate provided a record is made of such transfer. In lieu of the above and PG-77.1, identification may be by applying a coded marking traceable to the original required markings or by recording the required markings using methods such as material tabulations or as built illustration which ensure identification of each piece of material during fabrication and subsequent identification in the completed boiler. Such transfers of markings shall be made prior to cutting, except that the Manufacturer may transfer markings immediately after cutting, provided the control of

these transfers is described in his written Quality Control System (A-300). The procedure for making such transfer shall be acceptable to the Authorized Inspector.

**PG-77.3** An authorized representative of the plate manufacturer may duplicate the required stamping on any material wherever located.

**PG-77.4** When plate specification heat treatments are not performed by the mill, they shall be performed by or under the control of the fabricator, who shall then place the letter "T" following the letter "G" in the mill plate marking (see SA-20) to indicate that the material specification heat treatments have been performed. The fabricator shall also show by a supplement to the appropriate Mill Test Report that the specified heat treatment has been performed.

### PG-78 REPAIRS OF DEFECTS IN MATERIALS

Defects in material may be repaired by the boiler Manufacturer provided acceptance by the Inspector is first obtained for the method and extent of repairs. Material that cannot be satisfactorily repaired shall be rejected.

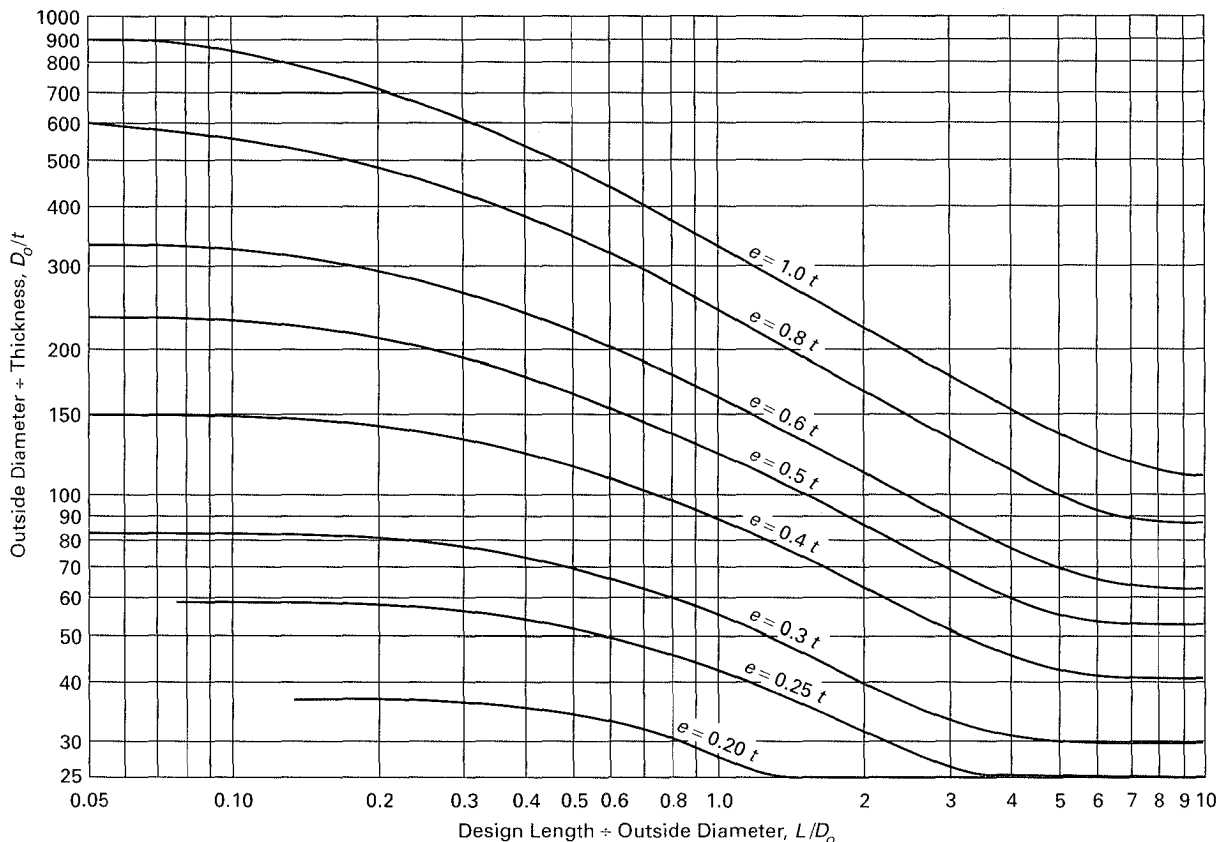
### PG-79 TUBE HOLES AND ENDS

Tube holes shall be drilled full size from the solid plate, or they may be punched at least  $\frac{1}{2}$  in. (13 mm) smaller in diameter than full size, and then drilled, reamed, or finished full size with a rotating cutter. The thermal- or plasma-arc cut holes, when made, shall be sufficiently smaller in diameter than full size, such that subsequent machining to full size shall completely remove all metal whose mechanical and metallurgical properties have been affected as a result of the thermal- or plasma-arc cutting. Tube holes may be counterbored where the metal is thicker than that required to get a proper bearing by expanding, so as to form narrow seats into which the tube ends can be properly expanded, provided there is space available to permit a proper amount of flare of the tube end.

The sharp edges of tube holes shall be taken off on both sides of the plate with a file or other tool.

### PG-80 PERMISSIBLE OUT-OF-ROUNDNESS OF CYLINDRICAL SHELLS

**PG-80.1 Internal Pressure.** Finished cylindrical sections of headers, shells, drums, and similar components shall be circular at any section within a limit of 1% of the mean diameter, based on the differences between the maximum and minimum mean diameters at any section. To determine the difference in diameters, measurements may be made on the inside or the outside, and when the

FIG. PG-80 MAXIMUM PERMISSIBLE DEVIATION FROM A CIRCULAR FORM,  $e$ , FOR CYLINDRICAL PARTS UNDER EXTERNAL PRESSURE

## GENERAL NOTES:

- (a) The above chart applies to cylinders over 24 in. (600 mm) O.D.  
 (b) Use the curves  $e = 1.0t_s$  or  $e = 0.2t_s$ , respectively, for points falling above or below those curves.

component is made of plates of unequal thicknesses, the measurements shall be corrected for the plate thicknesses as they may apply, to determine the diameters at the middle line of the plate thickness.

**PG-80.2 External Pressure.** Welded cylindrical furnaces and other cylindrical parts subjected to external pressure shall be rolled to practically a true circle with a maximum plus or minus deviation not to exceed the following:

(a) For components greater than 24 in. (600 mm) O.D., the maximum permissible deviation,  $e$ , shall be obtained from Fig. PG-80. The symbols  $L$ ,  $D_o$ , and  $t_s$  are as defined in PFT-51.1.1.

(b) For components equal to or less than 24 in. (600 mm) O.D., the maximum deviation shall not exceed 1% of the O.D.

**PG-81 TOLERANCE FOR FORMED HEADS**

When heads are made to an approximate ellipsoidal shape, the inner surface of such heads must lie outside and not inside of a true ellipse drawn with the major axis equal to the inside diameter of the head and one-half the minor axis equal to the depth of the head. The maximum variation from this true ellipse shall not exceed 0.0125 times the inside diameter of the head.

**PG-82 HOLES FOR STAYS**

**PG-82.1** Holes for threaded stays shall be drilled full size or punched and subsequently drilled or reamed. Punched holes shall not exceed  $\frac{1}{4}$  in. (6 mm) less than full diameter for plates over  $\frac{5}{16}$  in. (8 mm) or  $\frac{1}{8}$  in. (3.2 mm) less than full diameter for plates not exceeding  $\frac{5}{16}$  in. (8 mm) thickness prior to finished drilling or reaming.

Threaded holes shall be tapped fair and true with a full thread.

**PG-82.2** Holes for welded stays shall be cut and prepared in accordance with PW-29.

## INSPECTION AND TESTS

### PG-90 GENERAL

**PG-90.1** Each boiler, superheater, waterwall, or steel economizer shall be inspected during construction and after completion by an Authorized Inspector (AI). The AI may perform inspections at other stages of the work as he may designate (PW-46.2). Each Manufacturer or Assembler is required to arrange for the services of Authorized Inspectors (see Foreword and PG-91) to perform inspections on all of his work within the scope of this Section, whether performed in the shop or in the field. Duties of the AI are described elsewhere in this Section and include the following:

**PG-90.1.1** Verifying that the Manufacturer or Assembler has a valid ASME Certificate of Authorization covering the scope of his Code activities (PG-104.2.1, PG-105.5).

**PG-90.1.2** Monitoring compliance with the accepted Quality Control Program and verifying that any changes meet the requirements of this Section (PG-105.4, PEB-18, A-300).

**PG-90.1.3** Verifying that the Certificate Holder has the necessary Code books, Addenda, and Code Cases to cover the work being performed.

**PG-90.1.4** Reviewing a selected number of the Manufacturer's design calculations to verify compliance with Section I (PG-90.3).

**PG-90.1.5** Witnessing and approving proof tests to establish Maximum Allowable Working Pressure (MAWP) (A-22).

**PG-90.1.6** Verifying that the Certificate Holder has sufficient material control to assure that material used for construction complies with the applicable requirements of this Section (PG-10, PG-11, PG-105.4, A-302.4).

**PG-90.1.7** When cutting plate material into two or more pieces is necessary, verifying that the Certificate Holder's controls provide a positive means of identification to maintain traceability of materials (PG-77.2, A-302.4).

**PG-90.1.8** Verifying that the Certificate Holder's personnel are examining cut edges before welding (PW-29.3).

**PG-90.1.9** Verifying that all welding procedure specifications, procedure qualification records, welder and welding operator qualification records conform to the

requirements of this Section (PW-1.2, PW-28, PW-40.2, PW-47, PW-48, PW-53).

**PG-90.1.10** If welded repairs are necessary, accepting the method and extent of repairs and verifying that only qualified welding procedures, welders, and welding operators are used (PG-78, PW-40.2, PW-54.2).

**PG-90.1.11** Verifying that all required heat treatments have been performed and are properly documented (PW-11.3.4, PW-39, PW-49).

**PG-90.1.12** Verifying that required nondestructive examinations and tests have been performed by qualified personnel and that the results are properly documented (PG-25.2, PW-11, PW-51, PW-52).

**PG-90.1.13** Performing the required inspections and witnessing hydrostatic tests (PG-99, PW-54).

**PG-90.1.14** Verifying that the responsible representative of the Certificate Holder has signed the Data Report and that it is correct before being signed (PG-104, PG-112, PG-113, PW-1.2.5).

**PG-90.1.15** Prior to stamping, verifying that the item is in compliance with the requirements of this Section. After stamping, verifying that the stamping is correct and that the nameplate, if used, has been properly attached (PG-106, PG-108, PG-109, PW-1.2.5).

**PG-90.3** The Manufacturer is responsible for the preparation of design calculations to show compliance with the rules of Section I and his signature on the Manufacturers' Data Report Form shall be considered to include certification that has been done. The Manufacturer shall make available such design calculations as the Authorized Inspector may request. The Authorized Inspector has the duty to review a selected number of the Manufacturer's design calculations to verify compliance with Section I.

### PG-91 QUALIFICATION OF INSPECTORS

The inspection required by this Section shall be by an Inspector employed by an ASME accredited Authorized Inspection Agency,<sup>26</sup> that is, the inspection organization of a state or municipality of the United States, a Canadian province, or of an insurance company authorized to write boiler and pressure vessel insurance. These Inspectors shall have been qualified by written examination under the rules of any state of the United States or province of Canada which has adopted the Code.

<sup>26</sup> Whenever *Authorized Inspection Agency* or *AIA* is used in this Code, it shall mean an Authorized Inspection Agency accredited by ASME in accordance with the requirements in the latest edition of ASME QAI-1, Qualification for Authorized Inspection.

### PG-93 INSPECTION AND REPAIR OF FLAT PLATE IN CORNER JOINTS

**PG-93.1** When flat plate greater than  $\frac{1}{2}$  in. (13 mm) thickness is welded to other pressure parts to form a corner joint, such as in flat heads [Fig. PG-31, illustrations (g), (i-1), and (i-2)], waterlegs of firebox boilers or combustion chambers of wetback boilers [Fig. A-8, illustrations (l) through (n) and (p)], and the exposed edges of the plate are closer to the edge of the weld than a distance equal to the thickness of the plate, the peripheral plate edges and any remaining exposed surface of the weld joint preparation shall be examined after welding by either the magnetic particle or liquid penetrant method. When the plate is non-magnetic, only the liquid penetrant method shall be used. The requirements of this paragraph shall not apply to those joints when 80% or more of the pressure load is carried by tubes, stays, or braces, or when the exposed edges of the plate are farther from the edge of the weld than a distance equal to the thickness of the plate.

**PG-93.2** Laminations, cracks, or other imperfections found during the examination required by PG-93.1 that would affect the safety of the vessel shall be repaired in accordance with PG-78. The imperfection(s) may be pursued by any suitable method (grinding, chipping, etc.). The repaired area shall be subjected to the same examination that first revealed the imperfection.

**PG-93.3** Methods and acceptance criteria for magnetic particle and liquid penetrant examination shall be in accordance with A-260 or A-270, respectively.

### PG-99 HYDROSTATIC TEST

Hydrostatic testing of the completed boiler unit shall be conducted in accordance with the following requirements:

After a boiler has been completed (see PG-104), it shall be subjected to pressure tests using water at not less than ambient temperature, but in no case less than 70°F (20°C). Where required test pressures are specified in this paragraph, whether minimum or maximum pressures, they apply to the highest point of the boiler system. When the boiler is completed in the Manufacturer's shop without boiler external piping, subsequent hydrostatic testing of the boiler external piping shall be the responsibility of any holder of a valid "S," "A," or "PP" stamp. The pressure relief valves need not be included in the hydrostatic test. The tests shall be made in two stages in the following sequence:

**PG-99.1** Hydrostatic pressure tests shall be applied by raising the pressure gradually to not less than  $1\frac{1}{2}$  times the maximum allowable working pressure as shown on the data report to be stamped on the boiler. No part of the boiler shall be subjected to a general membrane stress

greater than 90% of its yield strength (0.2% offset) at test temperature. The primary membrane stress to which boiler components are subjected during hydrostatic test shall be taken into account when designing the components. Close visual inspection for leakage is not required during this stage.

**PG-99.2** The hydrostatic test pressure may then be reduced to the maximum allowable working pressure, as shown on the Data Report, to be stamped on the boiler and maintained at this pressure while the boiler is carefully examined. The metal temperature shall not exceed 120°F (50°C) during the close examination.

**PG-99.3** A completed forced-flow steam generator with no fixed steam and waterline, having pressure parts designed for different pressure levels along the path of water-steam flow, shall be subjected to a hydrostatic pressure test by the above procedure (PG-99.1 and PG-99.2) based upon

**PG-99.3.1** For the first stage test (PG-99.1) a hydrostatic test pressure of not less than  $1\frac{1}{2}$  times the maximum allowable working pressure at the superheater outlet as shown in the master stamping (PG-106.3) but no less than  $1\frac{1}{4}$  times the maximum allowable working pressure of any part of the boiler, excluding the boiler external piping.

**PG-99.3.2** For the second stage test (PG-99.2) the hydrostatic test pressure may be reduced to not less than the maximum allowable working pressure at the superheater outlet.

### PG-99.4 Test Gages

**PG-99.4.1** An indicating gage, visible to the operator controlling the pressure applied, shall be connected to the pressure parts. Hydrostatic head on the gage shall be considered such that the required test pressure is achieved at the top of the boiler.

**PG-99.4.2** Dial pressure gages used in testing shall preferably have dials graduated over their entire range of about double the intended maximum test pressure, but in no case shall the range be less than  $1\frac{1}{2}$  times that pressure. The spacing between graduations shall be such that the inspector and the operator controlling the test shall be able to determine when the required test pressure has been applied. Digital pressure gages having a wider range of pressure readings may be used provided the readings give the same or greater degree of accuracy as obtained with dial pressure gages.

## CERTIFICATION BY STAMPING AND DATA REPORTS

### PG-101 HEATING SURFACE COMPUTATION

**PG-101.1** For the stamping required by PG-106, the heating surface shall be computed as specified in PG-101.1.1 through PG-101.1.3.

**PG-101.1.1** Heating surface, as part of a circulating system in contact on one side with water or wet steam being heated and on the other side with gas or refractory being cooled, shall be measured on the side receiving heat.

**PG-101.1.2** Boiler heating surface and other equivalent surface outside the furnace shall be measured circumferentially plus any extended surface.

**PG-101.1.3** Waterwall heating surface and other equivalent surface within the furnace shall be measured as the projected tube area (diameter  $\times$  length) plus any extended surface on the furnace side. In computing the heating surface for this purpose, only the tubes, fireboxes, shells, tubesheets, and the projected area of headers need to be considered, except that for vertical firetube steam boilers only that portion of the tube surface up to the middle of the gage glass is to be computed.

## PG-104 GENERAL

**PG-104.1** The completed boiler unit includes all piping and piping components as defined in the Preamble.

The Manufacturer [see Note (1) below] of any complete boiler unit to be stamped with the Code symbol has the responsibility of assuring through proper Code certification that all work performed by him or others responsible to him complies with all requirements of the Code, including design, construction, materials, and workmanship. With the exception of field installed boiler external piping, when some portions of a complete boiler unit are supplied by, or Code work is performed by others not responsible to the Manufacturer, the Manufacturer has the duty of obtaining from these other organizations their proper Code certification, covering such portions of work.

When the Manufacturer furnishes a shop assembled boiler that is complete except for boiler external piping, and the boiler has been hydrostatically tested in the shop and properly stamped with the Manufacturer's "S" symbol, the subsequent installation in the field of the external piping within the scope of Section I is not by itself considered "field assembly of the boiler" [see Note (2) below].

No Manufacturer or assembler may accept Code responsibility for work that falls within the scope of the Code, that is performed by workmen employed by any other organization, except through proper Code certification. The responsibilities set forth herein relate only to Code compliance and are not to be construed as involving contractual relations or legal liabilities.

### NOTES:

- (1) Boiler Manufacturer or Manufacturer as used in PG-104 or other paragraphs referenced to this Note may also be an Engineering-Contractor organization with or without fabricating facilities, but having the capability of providing a design specification that establishes the pressure and temperature conditions for each component of a complete boiler unit and of assembling the fabricated parts in

FIG. PG-105.1 OFFICIAL SYMBOLS FOR STAMPS TO DENOTE THE AMERICAN SOCIETY OF MECHANICAL ENGINEERS' STANDARD FOR BOILERS



FIG. PG-105.2 OFFICIAL SYMBOL FOR STAMP TO DENOTE THE AMERICAN SOCIETY OF MECHANICAL ENGINEERS' STANDARD FOR ASSEMBLY



FIG. PG-105.3 OFFICIAL SYMBOL FOR STAMP TO DENOTE THE AMERICAN SOCIETY OF MECHANICAL ENGINEERS' STANDARD FOR WELDED PIPING



- the field with authorization from the Society to use the Code symbol stamp "S" in accordance with the Code provisions in PG-105.3.
- (2) When boiler external piping within the scope of Section I is furnished by other than the boiler Manufacturer, the boiler Manufacturer is not responsible for the Code certification of such piping. The organizations that furnish and that install such external piping by welding shall furnish proper Code certification (PG-104.2) for such piping including Manufacturers' Data Report Form P-4A as required by PG-112.2.5 and PG-112.3.

**PG-104.2** Proper Code certification refers to the furnishing of stamping and Data Reports as evidence to establish the following:

**PG-104.2.1** The organization that performed that portion of the work held an appropriate Certificate of Authorization.

**PG-104.2.2** By signing and furnishing the appropriate data report, that organization certified compliance with Code rules for that portion of the work.

**PG-104.2.3** By proper use of the Code symbol stamp, that organization identified the portions of the work covered by its Data Report Form.

**PG-104.2.4** By countersignature on the same Data Report a qualified Inspector confirmed that portion of the work complied with applicable Code rules.

## PG-105 CODE SYMBOL STAMPS

**PG-105.1 Authorization.** Except as permitted in PG-105.5, no organization may assume responsibility for Code construction without having first received from the ASME a Certificate of Authorization to use one of the



FIG. PG-105.4 OFFICIAL SYMBOL FOR STAMP TO DENOTE THE AMERICAN SOCIETY OF MECHANICAL ENGINEERS' STANDARD FOR BOILER PRESSURE RELIEF VALVES

Code symbol stamps shown in Figs. PG-105.1 through PG-105.4. There are six such stamps, defined as follows:

- (a) S — power boiler symbol stamp (see Fig. PG-105.1)
- (b) M — miniature boiler symbol stamp (see Fig. PG-105.1)
- (c) E — electric boiler symbol stamp (see Fig. PG-105.1)
- (d) A — boiler assembly symbol stamp (see Fig. PG-105.2)
- (e) PP — pressure piping symbol stamp (see Fig. PG-105.3)
- (f) V — boiler pressure relief valve symbol stamp (see Fig. PG-105.4)

Stamps for applying the Code symbol shall be obtained from the Society. Each boiler, superheater, waterwall, economizer, or boiler part to which a Code symbol is to be applied shall be fabricated by a Manufacturer who is in possession of an appropriate Code symbol stamp. A Certificate of Authorization to use the Code symbol "S," "M," "E," "A," "PP," or "V" stamp will be granted by the Society pursuant to the provisions of these paragraphs.

**PG-105.2 Application for Certificate of Authorization.** Any organization desiring a Certificate of Authorization shall apply to the Boiler and Pressure Vessel Committee of the Society, on forms issued by the Society, specifying the stamp desired and the scope of Code activities to be performed. When an organization intends to build Code items in plants in more than one geographical area, separate applications for each plant or a single application listing the addresses of all such plants may be submitted. Each application shall identify the Authorized Inspection Agency providing Code inspection at each plant. A separate Certificate of Authorization will be prepared and a separate fee charged by the Society for each plant.

Each applicant must agree that each Certificate of Authorization and each Code symbol stamp are at all times the property of the Society, that they will be used according to the rules and regulations of this Section of the Code, and that they will be promptly returned to the Society upon demand, or when the applicant discontinues the Code activities covered by his certificate, or when the Certificate of Authorization has expired and no new certificate has been issued. The holder of a Code symbol stamp shall not allow any other organization to use it.

Authorization to use Code symbol stamps may be granted or withheld by the Society in its absolute discretion.

If authorization is granted, and the proper administrative fee paid, a Certificate of Authorization evidencing permission to use any such symbol, expiring on the triennial anniversary date thereafter, will be forwarded to the applicant. Each such certificate will identify the Code symbol to be used, and the type of shop and/or field operations for which authorization is granted (see A-370). The certificate will be signed by the Chairman of the Boiler and Pressure Vessel Committee and the Director of Accreditation. Six months prior to the date of expiration of any such certificate, the applicant must apply for a renewal of such authorization and the issuance of a new certificate. The Society reserves the absolute right to cancel or refuse to renew such authorization returning *pro rata*, fees paid for the unexpired term.

**PG-105.3 Agreement With Authorized Inspection Agency.** As a condition of obtaining and maintaining a Certificate of Authorization to use the "S," "M," "E," "A," or "PP" Code symbol stamps, the Manufacturer or Assembler must have in force at all times, an inspection contract or agreement with an Authorized Inspection Agency as defined in PG-91 to provide inspection services. This inspection contract is a written agreement between the Manufacturer or Assembler and the inspection agency that specifies the terms and conditions under which the inspection services are to be furnished and that states the mutual responsibilities of the Manufacturer or Assembler and the Authorized Inspectors. The certificate holder shall notify the Society whenever its agreement with an Authorized Inspection Agency is cancelled or changed to another Authorized Inspection Agency.

Manufacturers or assemblers of pressure relief valves are not required to have an inspection agreement with an Authorized Inspection Agency. A Certificate of Authorization may be granted to a manufacturer or assembler of pressure relief valves to use the boiler pressure relief valve symbol stamp providing such stamp is applied only to pressure relief valves that have been capacity certified in accordance with the requirements of this Section.

**PG-105.4 Quality Control System.** Any Manufacturer or Assembler holding or applying for a Certificate of Authorization to use the "S," "M," "E," "A," "PP," or "V" stamp shall have, and demonstrate, a quality control system to establish that all Code requirements including material, design, fabrication, examination (by the Manufacturer), and inspection for boilers and boiler parts (by the Authorized Inspector) will be met. The quality control system shall be in accordance with the requirements of A-300.

Before issuance or renewal of a Certificate of Authorization for use of the "S," "M," "E," "A," or "PP" stamps, the Manufacturer's facilities and organization are subject to a joint review by a representative of his inspection agency and an individual certified as an ASME designee

who is selected by the concerned legal jurisdiction. When the jurisdiction assumes responsibility for leading the review, it shall have certified that its representative has met ASME criteria. A written description or checklist of the quality control system which identifies what documents and what procedures the Manufacturer will use to produce a Code item shall be available for review. The purpose of the review is to evaluate the applicant's quality control system and its implementation. The applicant shall demonstrate sufficient administrative and fabrication functions of the system to show that he has the knowledge and ability to produce the Code items covered by his quality control system. Fabrication functions may be demonstrated using current work, a mock-up, or a combination of the two. A written report to the Society shall be made jointly by the jurisdiction and the inspection agency employed by the Manufacturer to do his Code inspection. This report is then reviewed by the Subcommittee on Boiler and Pressure Vessel Accreditation, which will either issue a Certificate of Authorization or notify the applicant of deficiencies revealed by the review. In such a case, the applicant will be given an opportunity to explain or correct these deficiencies.

Certificates of Authorization will be endorsed to indicate the scope of activity authorized. Authorization may include field operations if the review team determines that these operations are adequately described in the quality control manual, and this determination is accepted by the Society.

Before issuance or renewal of a Certificate of Authorization for use of the "V" stamp, the valve manufacturer's or assembler's facilities and organization are subject to a review by an ASME designee. A written description or checklist of the quality control system, which identifies the documents and procedures the manufacturer or assembler will use to produce Code safety and safety relief valves, shall be available for review. The ASME designee shall make a written report to the Society, where the Subcommittee on Boiler and Pressure Vessel Accreditation will act on it as described above.

The Manufacturer may at any time make changes in the quality control system concerning the methods of achieving results subject to acceptance by the Authorized Inspector. For manufacturers and assemblers of "V" stamped safety or safety relief valves, such acceptance shall be by the ASME designee.

For those areas where there is no jurisdiction or where a jurisdiction does not choose to select an ASME designee to review a vessel or vessel parts manufacturer's facility, that function shall be performed by an ASME designee selected by ASME. In either case, the ASME designee shall certify its representative has met ASME criteria. Where the jurisdiction is the Manufacturer's inspection agency, the joint review and joint report shall be made by the jurisdiction and another representative designated by the Society.

**PG-105.5 Code Construction Before Receipt of Certificate of Authorization.** When used to demonstrate his quality control system, a Manufacturer may start fabricating Code items before receipt of a Certificate of Authorization to use a Code symbol stamp under the following conditions:

(a) The fabrication is done with the participation of the Authorized Inspector and is subject to his acceptance.

(b) The activity shall have been performed in conformance with the applicant's accepted quality control system.

(c) The item is stamped with the appropriate Code symbol and certified once the applicant receives his Certificate of Authorization from the Society.

**PG-105.6 Regulations on Use of Code Symbol Stamps.** The Boiler and Pressure Vessel Committee may at any time make such regulations concerning the issuance and use of Code symbol stamps as it deems appropriate, and all such regulations shall become binding upon the holders of any valid Certificates of Authorization.

## PG-106 STAMPING OF BOILERS


**PG-106.1** The Manufacturer shall stamp each boiler, superheater, waterwall, or steel economizer constructed in compliance with this Section in the presence of the Authorized Inspector, after the hydrostatic test, in the shop of the Manufacturer, except that in cases where boilers, superheaters, waterwalls, or steel economizers are not completed and hydrostatically tested before shipment, proper stamping shall be applied at the shop and the data reports required in PG-112 and PG-113 shall be signed by the same or different Inspectors who shall indicate the portions of the inspections made at the shop and the field. The stamping shall consist of the appropriate Code symbol shown in Fig. PG-105.1, which shall be put on each piece of equipment listed above in the locations specified in PG-111, except as provided in PG-106.2.

**PG-106.2** When the watertube boiler is arranged integrally with its economizer, superheater and/or waterwalls, the stamping required in PG-106.1 for such parts as are fabricated by the Manufacturer of the boiler may be combined into a *single* stamping located as specified in PG-111.5. Identifying marks shall be placed on all headers as required in PG-111.10, PG-111.11, and PG-111.12.

**PG-106.3** For forced-flow steam generators with no fixed steam and waterline, consisting of groups of pressure parts or components designed at several different levels of maximum allowable working pressures (PG-21), the stamping, required in PG-106.1 for such parts as are fabricated by the Manufacturer of the boiler, shall be combined into a single stamping. In addition, whichever Manufacturer [see PG-104, Note (1)] has the responsibility for assurance of Code certification for a completed boiler unit,



FIG. PG-106 FORM OF STAMPING

	Certified by
	----- (Name of Manufacturer)
	----- (Max. allow. working pressure when built)
	----- (Heating surface, boiler and waterwalls)
	----- (Maximum designed steaming capacity)
----- Manufacturer's serial number	----- Year built

that Manufacturer shall provide a master stamping for the complete unit which shall show the maximum allowable working (minimum design) pressure at the superheater outlet as determined by the Manufacturer as item PG-106.4.1(c). In no case shall the master stamping pressure be more than the maximum allowable working pressure of any part of the unit, excluding the steam piping between the boiler and the prime mover. The master stamping shall be located as required in PG-111.5.2.

**PG-106.4** In addition to the symbol, the following items shall also be stamped with letters and figures at least  $\frac{5}{16}$  in. (8 mm) high [ $\frac{5}{32}$  in. (4 mm) on miniature boilers if necessary], arranged as shown in Fig. PG-106.

**PG-106.4.1 Items on Boilers**

- (a) Manufacturer's serial number
- (b) certified by (name of Manufacturer)
- (c) maximum allowable working pressure when built
- (d) heating surface (or power input for electric boilers)
- (e) year built
- (f) maximum designed steaming capacity (or, for high-temperature water boilers, maximum designed output)

**PG-106.4.2 Items on Waterwalls, Superheaters, or Steel Economizers**

- (a) Manufacturer's serial number
- (b) certified by (name of Manufacturer)
- (c) maximum allowable working pressure when built
- (d) heating surface (not required for integral superheaters) (rated absorption for an isolable economizer)
- (e) for isolable or nonintegral separately fired superheaters, heating surface or the minimum pressure relief valve discharge capacity calculated from the maximum expected heat absorption (as determined by the Manufacturer)

**PG-106.5** For boilers with no pressure retaining part larger than 16 in. (400 mm) O.D., or for equipment operating at temperatures above 800°F (425°C), a cast, etched, or stamped metallic nameplate may be used to

provide the data required by PG-106 instead of stamping directly on the pressure retaining material. This plate shall be securely attached to the item it describes. If the attachment is by welding, the welding shall meet the requirements of this Section. The Authorized Inspector shall witness the stamping of the Code symbol and verify that the nameplate has been attached.

**PG-106.6** Each Manufacturer shall furnish, in addition, a metallic plate or plates on which the above data are reproduced for all the items manufactured by him, except when the original stampings are so located on the completed (or assembled) boiler unit that all will be readily visible from one place on the operating floor or platform. These plates, if used, shall be located as specified in PG-111.13. All data on such additional plates, including the Code symbol, shall be cast, etched, or stamped and this marking need not be witnessed by an Authorized Inspector. The letters and figures on these nameplates shall be not less than  $\frac{5}{32}$  in. (4 mm) high.

**PG-106.7** When the Manufacturer is an Engineering Contractor [see PG-104, Note (1)], either of the sequences specified in PG-106.7.1 and PG-106.7.2 may be selected for the certification and stamping of the completed boiler.

**PG-106.7.1 Certification of Field Assembly Prior to Certification of Engineering Contractor**

(a) The Engineering Contractor shall prepare a Form P-3A Master Data Report with the Certification of Engineering Contractor portion remaining blank. This Master Data Report, including all associated Partial Data Reports shall be forwarded to the Assembler.

(b) After the required inspections and the hydrostatic test have been performed, the Assembler and his Authorized Inspector shall certify the field assembly portion of Form P-3A. The Assembler shall then forward the completed Form P-3A, including all associated Partial Data Reports, to the Engineering Contractor.

(c) The Engineering Contractor shall provide a metallic master stamping plate or plates. The letters and figures on this plate shall be not less than  $\frac{5}{32}$  in. (4 mm) high. This plate shall include, in addition to the Code symbol, all the data required by PG-106.4. Such data, except the Code symbol, may be cast, etched, or stamped on this plate. The Code symbol shall be stamped. The stamping of the master stamping plate shall be in the presence of the Engineering Contractor's Authorized Inspector after the Inspector has examined the Design Specification for the complete boiler unit, verified the plate data, and is satisfied that the Engineering Contractor has provided for the construction of the complete boiler unit. The Engineering Contractor and his Authorized Inspector shall then sign the Certification of Engineering Contractor portion of Form P-3A.

(d) The Engineering Contractor shall provide the Assembler with the master stamping plate who shall affix it to a location on the boiler as specified in PG-111.13.

### **PG-106.7.2 Certification of Engineering Contractor Prior to Certification of Field Assembly**

(a) The Engineering Contractor shall provide a metallic master stamping plate or plates. The letters and figures on this plate shall be not less than  $\frac{5}{32}$  in. (4 mm) high. This plate shall include, in addition to the Code symbol, all the data required by PG-106.4. Such data, except the Code symbol, may be cast, etched, or stamped on this plate. The Code symbol shall be stamped. The stamping of the master stamping plate shall be in the presence of the Engineering Contractor's Authorized Inspector after the inspector has examined the Design Specification for the complete boiler unit, verified the plate data, and is satisfied that the Engineering Contractor has provided for the construction of the complete boiler unit. The Engineering Contractor and his Authorized Inspector shall then sign the Certification of Engineering Contractor portion of Form P-3A in the presence of and when authorized by the Authorized Inspector.

(b) The Engineering Contractor shall provide the Assembler with the master stamping plate and Form P-3A Master Data Report, including all associated Partial Data Reports.

(c) After the required inspections and the hydrostatic test have been performed, the Assembler shall affix the master stamping plate to the boiler at a location as specified in PG-111.13 in the presence of and when authorized by his Authorized Inspector.

(d) The Assembler and his Authorized Inspector shall then sign the Certificate of Field Assembly portion of Form P-3A. The Assembler shall then forward the completed Form P-3A, including all associated Partial Data Reports, to the Engineering Contractor.

### **PG-106.8 Stamping and Marking of Parts**

**PG-106.8.1** When only a part of the boiler is supplied and the data are recorded on Form P-4, Manufacturer's Partial Data Report (see PG-112.2.4), the part shall be stamped with

- (a) ASME Code Symbol above the word "part"
- (b) certified by (name of Manufacturer)
- (c) Manufacturer's serial number of the part
- (d) year built

Parts may be stamped with the ASME Code Symbol without being pressure tested prior to shipment (see PG-112 for requirements for documentation and stamping of pressure parts that do not contain pressure retaining welds).

**PG-106.8.2** In lieu of such stamping, small parts [5 in. (125 mm) O.D. and under] may be marked with an identification acceptable to the Inspector (e.g., bar coding, etching, paint stencil, etc.) and traceable to the Form P-4, Manufacturer's Partial Data Report. Such marking shall be of a type that will remain visible until the part is installed. The Code symbol stamp is not required.

**PG-106.8.3** Manufacturers with multiple locations, each with its own Certificate of Authorization, may transfer boiler parts from one location to another without Partial Data Reports, provided the Quality Control System describes the method of identification, transfer, and receipt of the parts.

**PG-106.9** No accessory or part of a boiler may be marked "ASME" or "ASME Std." unless so specified in the Code.

**PG-106.10** Shell plates, furnace sheets, and heads shall have identification stamping in conformance with PG-77.

**PG-106.11** The American Society of Mechanical Engineers' standard symbols and the boiler builder's stamps shall not be covered permanently by insulating or other material.

**PG-106.12** Multiple Pressure Steam Generators consisting of several sections of heat exchange surface designed for different pressure levels may be considered as a single boiler and the Manufacturer's stamping required by PG-106.1 combined into a single stamping provided

**PG-106.12.1** The different circuits of the boiler are not intended to be operated separately or independently.

**PG-106.12.2** The extent and design of the boiler external piping for each circuit shall be established in accordance with PG-58.3.

**PG-106.12.3** The various circuits shall be separated from each other by providing a stop valve and a check valve in the feedwater piping leading to each circuit, in accordance with PG-58.3.3.

**PG-106.12.4** Each circuit shall be given a hydrostatic test corresponding to its MAWP, as required by PG-99.

**PG-106.12.5** Each circuit shall be stamped with the information required by PG-106.4. The stamping shall be located in accordance with PG-111.

**PG-106.12.6** The Manufacturer shall furnish, in addition, a single metallic plate on which the above data are reproduced for all of the circuits. This plate shall be located in accordance with PG-111.13. All data on such plates shall be cast, etched or stamped. The Code symbol shall be stamped on this plate and shall be witnessed by an Authorized Inspector. The letter and figures on these nameplates shall be not less than  $\frac{5}{32}$  in. (4 mm) high.

## **PG-107 FIELD ASSEMBLY**

Code responsibility for a completed boiler unit that is field assembled [excluding the shop assembled boiler with field installed piping, see PG-104, Note (2)] may be assumed only under the following conditions.

**PG-107.1** By the boiler Manufacturer [see PG-104, Note (1)], provided

**PG-107.1.1** Assembly work is performed by workmen employed by the boiler Manufacturer.

**PG-107.1.2** Any work performed by others, such as erection of piping, that falls within the scope of the Code, is handled by proper Code certification.

**PG-107.1.3** The completed boiler unit is properly stamped with the Manufacturer's "S" symbol in accordance with PG-108.1.

**PG-107.1.4** Data Reports are prepared in accordance with PG-113.1.

**PG-107.2** Jointly by the boiler Manufacturer and the assembler responsible for performing the hydrostatic test of the completed boiler, signing of the Certificate of Field Assembly Compliance on the Master Data Report, and for providing the supplemental stamping in accordance with PG-108.2, provided

**PG-107.2.1** Assembly work is performed by workmen employed by the assembler.

**PG-107.2.2** The assembler uses his own properly qualified welding procedures, welders and/or welding operators.

**PG-107.2.3** Any work performed in the field by others, such as erection of boiler external piping or partial assembly of the boiler proper, that falls within the scope of the Code, is handled by proper Code certification.

(a) Code certification of boiler external piping installed by an organization other than the boiler Manufacturer or assembler shall be provided in accordance with PG-109.

(b) Code certification of work performed by an organization responsible for partial field assembly of a boiler shall be provided as follows:

(1) The work performed shall be described on a Form P-3. The form shall be marked as not being the Master Data Report. Lines 1 through 5 of the form shall be completed by the assembler responsible for partial field assembly of the boiler, except that the words "partial field assembly" are to be inserted on Line 4 instead of the unit identification and ID numbers. The portion of partial field assembly completed by the assembler and the location of the stamping required by PG-107.2.3(b)(3) shall be described on Line 15, Remarks.

(2) The Certificate of Field Assembly Compliance on the form shall be completed and signed by the assembler. The Certificate of Field Assembly Inspection on the form shall be completed and signed by the assembler's Authorized Inspector.

(3) When authorized by the Authorized Inspector, the assembler's Code symbol together with the assembler's name, or an acceptable abbreviation, and the words "partial field assembly" shall be stamped by the assembler on a

major pressure part assembled as part of the work covered by the Code certification. If limited space prevents this, the stamping shall be applied near the Manufacturer's stamping required by PG-106.

**PG-107.2.4** The completed boiler unit is properly stamped with the Manufacturer's "S" symbol and the assembler's Code symbol in accordance with PG-108.2.

**PG-107.2.5** Data Reports are prepared in accordance with PG-113.2 and such Data Reports clearly define the work completed by the Manufacturer and the assembler.

## **PG-108 STAMPING FOR FIELD-ASSEMBLED BOILERS**

Field assembly of a completed boiler unit may be made by anyone possessing a valid Certificate of Authorization for a power boiler stamp or an assembly stamp provided responsibility is assumed in accordance with the requirements of PG-107. Stamping for field assembled boiler units shall be completed as specified in PG-108.1 and PG-108.2.

**PG-108.1** When responsibility for the completed boiler unit is assumed under PG-107.1, no additional stamping beyond that required by PG-106 is necessary.

**PG-108.2** When responsibility for the completed boiler unit is assumed under PG-107.2, the Manufacturer's [see PG-104, Note (1)] stamping shall be supplemented with the assembler's stamp, together with the name of the assembler or an acceptable abbreviation. This supplementary stamping shall be applied in the field on the boiler near the stamping called for by PG-106 when authorized by the field Inspector after the required inspections and the hydrostatic test of the completed boiler unit. This supplementary stamping shall also be reproduced on a nameplate as required by PG-106.6 or PG-106.7 and attached in a location immediately adjacent to the master stamping plate, as required in PG-111.13.

## **PG-109 STAMPING OF PRESSURE PIPING**

**PG-109.1** Boiler external piping, as defined in the Preamble, may be fabricated by a manufacturer other than the Manufacturer of the boiler, provided that the manufacturer has been issued a Certificate of Authorization to use the "S" or "PP" symbol stamp. Boiler external piping may be installed by welding by a manufacturer or contractor other than the Manufacturer of the boiler, provided such an organization has been issued a Certificate of Authorization to use the "S," "PP," or "A" symbol stamp. When boiler external piping is installed by welding, the welding, including the qualification of welding procedures, welders, and welding operators, shall be done in accordance with the applicable rules of ASME B31.1. The welding shall be

inspected by an Authorized Inspector at such stages of the work as he may elect. The organizations which fabricate or install such piping shall furnish proper code certification (PG-104.2) for it including a Manufacturer's Data Report Form P-4A as required by PG-112.2.5 and PG-112.3.

**PG-109.2** Welded boiler external piping included within the scope of this Code, over NPS 2 (DN 50), shall be stamped with a Code symbol, together with the manufacturer's or contractor's name and serial number. Such stamping shall be on the pipe, valve, or fitting adjacent to the welded joint farthest from the boiler. For piping operating at temperatures above 800°F (425°C) the symbol may be stamped on a nameplate that is irremovably attached by welding, provided such welding is postweld heat treated, or on a circular metal band at least ¼ in. (6 mm) thick. This band around the pipe shall be secured in such a manner as to prevent it from slipping off during handling and installation.

Welded piping NPS 2 (DN 50) or less included within the scope of this Code shall be marked with an identification acceptable to the Inspector and traceable to the required Data Report. Such marking shall be of a type that will remain visible until the piping has been installed.

**PG-109.3** A manufacturer in possession of the pressure piping symbol stamp may

(a) design and fabricate welded piping. Such fabrications shall be stamped and reported on a Form P-4A, Manufacturer's Data Report for Fabricated Piping, as called for in PG-112.2.5.

(b) fabricate other parts of boilers, such as superheater, waterwall, or economizer headers, where complete design requirements are provided by others. Such parts shall be stamped or marked as required by PG-106.8 and reported on a Form P-4, Manufacturer's Partial Data Report, as called for in PG-112.2.4.

**PG-109.4** Mechanically assembled boiler external piping which contains no pressure boundary welds does not require stamping, and as such may be assembled by a non-stamp holder. Note that the responsibility for documentation and hydrostatic testing of a mechanically assembled boiler external piping must be assumed by a holder of a valid "S," "A," or "PP" stamp (see PG-112.2.5).

#### (10) PG-110 STAMPING OF BOILER PRESSURE RELIEF VALVES

Each pressure relief valve shall be plainly marked with the required data by the Manufacturer or Assembler (see PG-73.4.4) in such a way that the marking will not be obliterated in service. The marking shall be placed on the valve or on a nameplate securely fastened to the valve. The Code "V" symbol shall be stamped on the valve or

nameplate by the Manufacturer or Assembler, as applicable. The other required data may be stamped, etched, impressed, or cast on the valve or nameplate. For units other than those included below, see PG-4. The marking shall include the following:

(a) the name (or an acceptable abbreviation) of the Manufacturer and Assembler, as applicable

(b) Manufacturer's design or type number

(c) NPS (DN) (the nominal pipe size of the valve inlet)

(d) set pressure \_\_\_\_\_ psi (MPa)

(e) Capacity

(1) capacity \_\_\_\_\_ lb/hr (kg/hr) (for saturated steam service in accordance with PG-69.2) or

(2) capacity \_\_\_\_\_ lb/hr (kg/hr) at \_\_\_\_\_ °F (°C) (for superheated steam service in accordance with PG-68.7 or supercritical steam service in accordance with PG-69.2.3) or

(3) capacity \_\_\_\_\_ gal/min (l/min) at 70°F (20°C) and lb/hr (kg/hr) steam for economizer service in accordance with PG-69.2

(f) year built, or alternatively, a coding may be marked on the valve such that the valve Manufacturer or Assembler can identify the year the valve was assembled and tested

(g) ASME symbol as shown in Fig. PG-105.4

(h) The pilot of a pilot-operated pressure relief valve shall be plainly marked by the Manufacturer or Assembler showing the name of the Manufacturer, the Manufacturer's design or type number, the set pressure in pounds per square inch (MPa), and the year built, or alternatively, a coding that the Manufacturer can use to identify the year built.

#### PG-111 LOCATION OF STAMPINGS

The location of the required stampings shall be as listed below. These stampings shall be left uncovered or an easily removable marked cover may be provided over the stamping when a boiler is covered with insulation, or jacketed. No piping, boiler appliance, or other obstructions shall interfere with reading of the stamping.

**PG-111.1** Horizontal-return tubular boilers — on the front head above the central rows of tubes.

**PG-111.2** Horizontal-flue boilers — on the front head above the flues.

**PG-111.3** Traction, portable, or stationary boilers of the locomotive type or Star watertube boilers — on the furnace end above the handhole. Or on traction boilers of the locomotive type — on the left wrapper sheet forward of the driving wheel.

**PG-111.4** Vertical firetube and vertical submerged tube boilers — on the shell above the firedoor and handhole opening.

**PG-111.5 Watertube Boilers**

**PG-111.5.1** Drum type — on a head of the steam outlet drum near and above the manhole.

**PG-111.5.2** Forced-flow steam generator with no fixed steam and waterline — the master stamping (PG-106.3) shall be located on a major pressure part, located near the main operating floor where readily visible. The Data Report Form shall record the location of the master stamping.

**PG-111.6** Scotch marine boilers — on either side of the shell near the normal water level line and as near as practical to the front tubesheet.

**PG-111.7** Economic boilers — on the front head, above the center row of tubes.

**PG-111.8** Miniature and electric boilers — on some conspicuous and accessible place on the boiler proper, or on a stamping plate at least  $\frac{3}{64}$  in. (1.2 mm) thick, permanently fastened (adhesives prohibited) to the boiler.

**PG-111.9** On any of the above types where there is not sufficient space in the place designated, and for other types and new designs — in a conspicuous place on the boiler proper. The Data Report Form shall record the location of the required stamping.

**PG-111.10** Superheaters — on superheater header near the outlet. Other headers shall carry identifying marks.

**PG-111.11** Economizers — at a handy location on water inlet header or drums. Other headers shall carry identifying marks.

**PG-111.12** Waterwalls — on one end of a lower header. Other headers shall carry identifying marks.

**PG-111.13** When required by PG-106.6 and PG-106.7, the Manufacturer [see PG-104, Note (1)] shall furnish a nameplate or plates on which the appropriate Code Symbol and design data for the scope of his responsibility are permanently imprinted. The nameplate shall be securely attached to the front of the boiler, its setting or casing, at a place readily visible from the operating floor or platform.

**PG-112 MANUFACTURER'S DATA REPORT FORMS**

**PG-112.1** Ten types of Manufacturer's Data Report Forms are shown in the Appendix under the heading "Data Report Forms and Guides" at the end of this Section. These forms shall be used by the Manufacturer [see PG-104, Note (1)] to record all the items of a complete boiler unit, in accordance with the provisions of PG-112.2. When the certification of the complete boiler unit is accomplished by more than one Data Report, the principal Data Report (P-2, P-2A, P-3, or P-3A) shall be designated as the Master Data Report (see PG-113).

For forced-flow steam generators with no fixed steam and waterline consisting of groups of pressure parts or components designed at several different pressure levels, a separate Manufacturer's Data Report shall clearly identify the pressure parts at each pressure level and show the maximum allowable working pressure. These several Data Reports shall be attached to a Master Data Report (PG-113) that shall clearly identify each component as part of the complete unit.

**PG-112.2 Types of Data Report Forms.** The types of Data Report Forms and the purposes for which they are to be used are specified in PG-112.2.1 through PG-112.2.8.

**PG-112.2.1** Form P-2, Manufacturer's Data Report for All Types of Boilers Except Watertube and Electric, shall be used to record all types of boilers other than watertube boiler units and parts thereof, which are included under Form P-3.

**PG-112.2.1.1** Form P-2A, Manufacturer's Data Report for All Types of Electric Boilers, shall be used to record all types of electric boilers.

**PG-112.2.1.2** Form P-2B, Manufacturer's Data Report for Electric Superheaters and Reheaters, shall be used to record electric superheaters and reheaters installed external to the boiler setting.

**PG-112.2.2** Form P-3, Manufacturer's Data Report for Watertube Boilers, Superheaters (except electric), Waterwalls, and Economizers, shall be used to record all of the items comprising a watertube boiler.

The Form P-3 shall also be used to record a superheater, waterwall, or economizer when the design of such an item is certified by a manufacturer other than the boiler Manufacturer, or when such an item is to be added to an existing boiler. The item shall be stamped with the ASME "S" symbol and the additional information, as applicable, shown in PG-106.4.2.

Item 10 on Form P-3 shall be used to record other parts connected at the openings listed in Item 11 if such parts are fabricated of materials or by processes that require Code inspection. If such parts have not been connected prior to the hydrostatic test, a notation shall be made under Item 10 reading: "No parts connected to the openings listed in Item 11 except as noted."

**PG-112.2.3** Form P-3A, Engineering-Contractor Data Report for a Complete Boiler Unit, shall be used when such an organization assumes the Manufacturer's Code responsibility as provided for by PG-104, Note (1). This form shall be used to certify Code responsibility for the design specification of the complete boiler unit, of which the components are individually certified by their individual manufacturers in accordance with the Code rules. This form also provides for field assembly certification.

(10) **PG-112.2.4** Form P-3A shall not be used by a Manufacturer to provide Code certification for only a portion of the complete boiler unit.

**PG-112.2.5** Form P-4, Manufacturer's Partial Data Report, shall be used to record boiler parts requiring inspection and stamping under this Section which are furnished by other than the Manufacturer responsible for the completed boiler, superheater, waterwall, or economizer.

(a) Except as provided in PG-112.2.4(b), Form P-4 shall be used only to provide supporting data for the information given on the Master Data Report (see PG-113) or on the Form P-3 used to record a superheater, waterwall, or economizer.

(b) When used to record parts furnished to the user of an existing boiler as replacement or repair parts, Form P-4 is sufficient and need not support a Master Data Report. A copy of the parts Manufacturer's Form P-4 shall be forwarded to the purchaser.

(c) The parts manufacturer shall indicate under "remarks" the extent to which he has performed the design functions. When the parts manufacturer performed only a portion of the design, he shall state which portion of the design he has performed.

**PG-112.2.6** Form P-4A, Manufacturer's Data Report for Fabricated Piping, shall be used to record all shop or field-welded boiler external piping that falls within the scope of this Section but is not furnished by the boiler Manufacturer. Form P-4B, Manufacturer's Data Report for Field-Installed Mechanically Assembled Piping, shall be used to record all field-installed mechanically assembled boiler external piping. Form P-4B shall be used only for piping that contains no joints brazed or welded by the field installer.

**PG-112.2.7** Form P-5, Summary Data Report for Process Steam Generators, may be used by the Manufacturer [see PG-104, Note (1)] to record all items of field-assembled process steam generators of the waste heat or heat recovery type, comprising one or more drums and one or more arrays of heat exchange surface designed for different pressure levels. All such component items shall be constructed to the applicable rules of the Code and shall be certified by individual Data Report Forms executed by the component manufacturer and the Authorized Inspector. When used, the Summary Data Report Form P-5 shall list all the properly executed data report forms for components comprising the complete process steam generator and shall be attached to the Manufacturer's Data Report.

**PG-112.2.8** When using a print version of a Data Report Form, Form P-6, Manufacturer's Data Report Supplementary Sheet, shall be used to record additional data where space was insufficient on a Data Report Form. This Manufacturer's Data Report Supplementary Sheet will be attached to the Manufacturer's Data Report Form where

used. When using an electronic version of a Data Report Form, it may be expanded to include all additional data, or Form P-6 may be used in accordance with para. PG-112.2.6.

**PG-112.2.9** Form P-7, Manufacturer's Data Report for Pressure Relief Valves, shall be used to record required pressure relief valves. Form P-7 shall be used as supporting data for Form P-2, P-3, or P-3A. Form P-7 is not required for boilers certified on Form P-2A, or for boilers with a single pressure relief valve when the pressure relief valve size, set pressure, and capacity [lb/hr (kg/hr)] are included in the remarks section of Form P-2 or P-3.

**PG-112.3** Manufacturer's Data Reports and all associated Partial Data Reports shall be furnished to the purchaser, the inspection agency, and the state, municipal, or provincial authority at the place of installation. Partial Data Reports for pressure parts requiring inspection under this Section, and which are furnished by other than the Manufacturer having Code responsibility for the boiler or the superheater, waterwall, or economizer, shall be executed by the parts manufacturer and the Inspector in accordance with the requirements of this Section.

Except as provided in PG-112.2.4(b), the Partial Data Reports shall be forwarded, in duplicate, to the Manufacturer of the boiler or the superheater, waterwall, or economizer. These Partial Data Reports, together with his own inspection, shall be the final Inspector's authority to witness the application of the Code symbol to the boiler or the superheater, waterwall, or economizer. The Partial Data Reports shall be attached to the associated Form P-2, P-2A, P-3, P-3A, or P-5 by the Manufacturer having Code responsibility for the boiler or the superheater, waterwall, or economizer.

**PG-112.4** A-350 includes nonmandatory guides to aid in the completion and certification of the Manufacturer's Data Report Forms.

**PG-112.5** Multiple Pressure Steam Generators shall be documented as indicated in PG-112.5.1 and PG-112.5.2.

**PG-112.5.1** Data Report Form P-3 or P-3A shall be used by the Manufacturer as the Master Data Report to record all items comprising a multiple pressure steam generator of the waste heat or heat recovery type. The Master Data Report shall list all of the properly executed data report forms for the items comprising the complete steam generator unit.

**PG-112.5.2** Other forms such as P-3, P-4, P-5, P-6, and P-7 shall be used as necessary to provide and summarize supporting information for the Master Data Report.

**PG-112.6** Manufacturer's Partial Data Report Form P-4 and stamping in accordance with PG-106 are neither required nor prohibited for pressure parts that do not contain pressure retaining welds (e.g., boiler furnace walls,

floor panel assemblies, tubes with support or hanger lugs). However, the Manufacturer shall certify that the material and construction are in accordance with the requirements of this Section.

**PG-112.6.1** Certification may be supplied in the form of bills of material and drawings with a statement of compliance or Certificate of Compliance from the Manufacturer.

**PG-112.6.2** The Certification shall state what materials were used including size (O.D. and wall thickness) and which edition and addenda of the Code were used to construct the parts.

**PG-112.6.3** The parts shall be clearly identified with markings traceable to the certification. The markings may be in the form of labels, tags, stamping, paint, or coded identification.

### **PG-113 MASTER DATA REPORT FORM**

**PG-113.1** The Master Data Report (using Manufacturer's Data Report Forms P-2, P-2A, P-3, or P-3A, as applicable) shall be used by the boiler Manufacturer [see PG-104, Note (1)] to fully document all parts of a complete boiler unit [excluding boiler external piping; see PG-104, Note (2)] as having Code certification in accordance with the Code requirements for design, construction, and workmanship.

**PG-113.2** When a field-assembled boiler unit is documented by Data Forms from manufacturers other than the Manufacturer [see PG-104, Note (1)] responsible for the

complete boiler unit, the boiler Manufacturer shall complete the applicable Master Data Report Form by recording the required data from all supporting Data Report Forms that are required for the complete boiler unit. All Data Forms shall be securely attached to the Master Data Report. The Data Reports shall clearly separate shop fabrication from field assembly and in the case of large units, supplemental sheets may be used to record the information. The certificate of shop inspection block and the certificate of field assembly block shall clearly designate the items to be certified by the Inspector in the shop and those to be certified by the Inspector in the field. The certified Data Reports furnished by the several manufacturers shall be the shop or field Inspector's authority to accept the components fabricated by the other manufacturers and included in the construction of the complete boiler unit.

**PG-113.3** The boiler Manufacturer [see PG-104, Note (1)] shall have the responsibility for distributing copies of the complete Master Data Report Form (Data Report Form P-2, P-2A, P-3, or P-3A, as applicable) to the inspection agency and the required number of proper authorities. The Manufacturer's written quality control system shall include requirements for completion of Manufacturer's Data Reports. The Manufacturer shall retain the Manufacturer's Data Reports for a minimum of 5 years.

**PG-113.4** When boiler external piping is furnished by an organization not contractually responsible to the Manufacturer [see PG-104, Note (1)], the organization responsible for the fabrication and installation of this piping shall have the responsibility for distributing copies of Form P-4A to the inspection agency and proper authorities.

# PART PW

## REQUIREMENTS FOR BOILERS FABRICATED BY WELDING

### GENERAL

#### PW-1 GENERAL

**PW-1.1 Scope.** The rules in Part PW are applicable to boilers and component parts thereof, including piping constructed under the provisions of this Section, that are fabricated by welding and shall be used in conjunction with the general requirements in Part PG as well as with the specific requirements in the applicable Parts of this Section that pertain to the type of boiler under consideration.

**PW-1.2 Responsibility.** Each Manufacturer<sup>1</sup> (Certificate of Authorization holder) is responsible for the welding done by his organization and shall establish the procedures and conduct the tests required in Section IX to qualify the welding procedures he uses in the construction of the weldments built under Section I and the performance tests of welders<sup>2</sup> who apply these procedures. Alternatively, AWS Standard Welding Procedure Specifications that have been accepted by Section IX may be used for Section I construction, provided the welding meets the requirements of this Section. A particular AWS Standard Welding Procedure may contain a range for a welding variable where only part of the range meets the requirements of this Section. This could apply to one or more welding variables. The Section I requirements always take precedence. Manufacturers intending to use AWS Standard Welding Procedures shall describe in their Quality Control System (A-302.7) control measures used to assure that the welding meets the requirements of this Section and Section IX. Other occurrences of the phrase qualified in accordance with Section IX in this Part shall be construed to permit use of AWS Standard Welding Procedures accepted by Section IX and controlled as described above. Such welding will ordinarily be done by employees of the Manufacturer who accepts the responsibility for Code construction

of the boiler or part being welded. Alternatively, the Manufacturer may perform Code welding using the services of individual welders who are not in his employ provided all the following conditions are met.

**PW-1.2.1** All Code construction shall be the responsibility of the Manufacturer.

**PW-1.2.2** All welding shall be performed in accordance with Manufacturer's Welding Procedure Specifications that have been qualified by the Manufacturer in accordance with the requirements of Section IX.

**PW-1.2.3** All welders shall be qualified by the Manufacturer in accordance with the requirements of QW-301.2, Section IX.

**PW-1.2.4** The Manufacturer's quality control system shall include as a minimum

**PW-1.2.4.1** A requirement for complete and exclusive administrative and technical supervision of all welders by the Manufacturer.

**PW-1.2.4.2** Evidence of the Manufacturer's authority to assign and remove welders at his discretion without involvement of any other organization.

**PW-1.2.4.3** A requirement for Assignment of Welder identification symbols.

**PW-1.2.4.4** Evidence that this program has been accepted by the Manufacturer's Authorized Inspection Agency which provides the inspection service.

**PW-1.2.5** The Manufacturer shall be responsible for Code compliance of the weldment including Code Symbol Stamping and providing Data Report Forms properly executed and countersigned by the Authorized Inspector.

**PW-1.3 Welding Definitions.** For some of the more common terms related to welding, refer to QW/QB-492 of Section IX.

### MATERIALS

#### PW-5 GENERAL

**PW-5.1** Materials used in welded construction of pressure parts shall conform to one of the specifications given

<sup>1</sup> *Manufacturer* includes contractor, assembler, and installer.

<sup>2</sup> *Welder* includes welding operator.



in Section II and shall be limited to those specifically permitted in Parts PG, PWT, and PFT and for which allowable stress values are given in Tables 1A and 1B of Section II, Part D, for Section I construction and for which weld Group P-Numbers are assigned in Section IX.

**PW-5.2** Carbon or alloy steel having a carbon content of more than 0.35% shall not be used in welded construction or be shaped by oxygen cutting or other thermal cutting processes.

**PW-5.3** Austenitic stainless steel materials joined by electroslag welding shall be limited to SA-240 Grades 304 and 316, SA-182 Grades F304 and F316, and SA-351 Grade CF 8.

**PW-5.4** Welding electrodes and filler metal shall be selected to provide deposited weld metal of chemical composition and mechanical properties compatible with the materials to be joined and the service conditions anticipated.

**PW-5.5** Rimmed and semi-killed steels shall not be joined by the inertia and continuous drive friction welding processes.

**PW-5.6** For pressure retaining welds in  $2\frac{1}{4}$ Cr-1Mo materials, other than circumferential butt welds less than or equal to  $3\frac{1}{2}$  in. (89 mm) in outside diameter, when design metal temperatures exceed 850°F (455°C), the weld metal shall have a carbon content greater than 0.05%.

## DESIGN

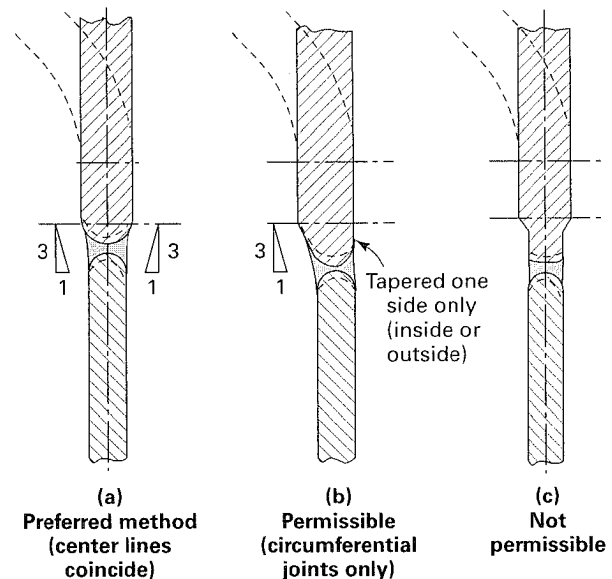
### PW-8 GENERAL

The rules in the following paragraphs apply specifically to the design of boilers and parts thereof that are fabricated by welding and shall be used in conjunction with the general requirements for design in Part PG, as well as with the specific requirements for design in the applicable Parts of this Section that pertain to the type of boiler under consideration.

### PW-9 DESIGN OF WELDED JOINTS

**PW-9.1** Longitudinal, circumferential, and other joints, uniting the material used for drums, shells, or other pressure parts, except as otherwise provided in PG-31, PG-39, PW-41, PWT-11, and Part PFT shall be full penetration butt welds. The welds should preferably be of the double-welded butt type, but may also be of the single-welded butt type with the filler metal added from one side only when made to be the equivalent of the double-welded butt joint by providing means for accomplishing complete penetration.

FIG. PW-9.1 BUTT WELDING OF PLATES OF UNEQUAL THICKNESS



**PW-9.2 Welding Grooves.** The dimensions and shape of the edges to be joined by butt welds shall be such as to permit complete fusion and complete joint penetration.

**PW-9.3 Joints Between Materials of Unequal Thickness.** Except as provided in PW-9.3.2, a tapered transition section having a length not less than three times the offset between the adjoining surfaces, as shown in Fig. PW-9.1, shall be provided at joints between materials that differ in thickness by more than one-fourth of the thickness of the thinner material or by more than  $\frac{1}{8}$  in. (3 mm). The transition section may be formed by any process that will provide a uniform taper. The weld may be partly or entirely in the tapered section or adjacent to it as indicated in Fig. PW-9.1.

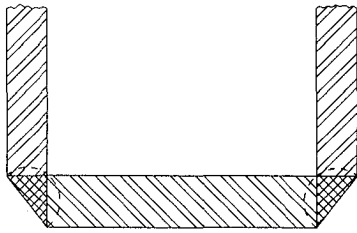
This paragraph is not intended to apply to joint design specifically provided for elsewhere in this Code or to joints between tubes, between tubes and headers, and between tubes and tubesheets.

**PW-9.3.1 Alignment of Shells and Vessels (Including Pipe or Tube Used as a Shell).** In longitudinal shell joints, the middle lines of the adjoining thicknesses shall be in alignment within the fabricating tolerances specified in PW-33.

Alternatively, the middle lines of plates of differing thickness may be offset so that the inside or outside diameters of the thinner and thicker portions of the shell form a continuous surface, provided the following conditions are met:

- The ratio of the thickness of the thicker plate to the thickness of the thinner plate shall not exceed 2:1.
- The maximum design temperature shall not exceed 750°F (400°C).

FIG. PW-9.2 PROHIBITED WELDED JOINT



**PW-9.3.2 Circumferential Welds in Tube and Pipe.** When components of different diameters or thicknesses are welded together, the transition shall not exceed a slope of 30 deg from the smaller to the larger diameter. The transition may be formed by any process that will provide a uniform taper. Alignment shall meet the provisions of PW-34.

**PW-9.4 Prohibited Welded Joints.** Corner joints as depicted in Fig. PW-9.2 are prohibited.

## PW-10 HEAT TREATMENT

Vessels and vessel parts shall be preheated and postweld heat treated in accordance with the requirements in PW-38 and PW-39.

## (10) PW-11 VOLUMETRIC EXAMINATION OF WELDED BUTT JOINTS

- (10) **PW-11.1** Welded butt joints requiring volumetric examination are specified in Table PW-11. Unless Table PW-11 restricts volumetric examination to one method, either the radiographic or the ultrasonic method may be used. Acceptance of the weld shall be determined by the method selected for the initial examination of the completed weld. If repairs are required, the repairs shall be examined using the same method by which the unacceptable imperfections were detected. Subsequent examination of the weld following acceptance is beyond the requirements of this Section and shall be a matter of agreement between the Manufacturer and the User.

Experience has demonstrated that welded butt joints not requiring volumetric examination by these rules have given safe and reliable service even if they contain imperfections that may be disclosed upon further examination. Any examination and acceptance standards beyond the requirements of this Section are beyond the scope of this Code and shall be a matter of agreement between the Manufacturer and the user.

- (10) **PW-11.2 Definitions.** For use with Table PW-11 and elsewhere in this Section, the following definitions apply:

*butt joint:* a joint between two members aligned approximately in the same plane.

*circumferential butt weld:* includes circumferential welded butt joints in drums, headers, pipes, and tubes, and welded butt joints attaching formed heads to drums, shells, and headers.

*longitudinal butt weld:* includes longitudinal and spiral welded butt joints in drums, shells, headers, pipes, and tubes; any welded butt joint within a sphere or within a formed or flat head or tube sheet; and welded butt joints attaching insert-nozzles of the type shown in Fig. PW-16.1, illustrations (q-1) through (q-4).

*nondestructive examination (NDE):* examination methods used to verify the integrity of materials and welds in a component without damaging its structure or altering its mechanical properties. NDE may involve surface, subsurface, and volumetric examination.

*NPS:* nominal pipe size.

*volumetric NDE:* a method capable of detecting imperfections that may be located anywhere within the examined volume. For Section I construction, volumetric NDE is limited to radiographic (RT) and ultrasonic (UT) examination methods.

**PW-11.3** For use with Table PW-11, the size and thickness of welded butt joints is defined as the larger and thicker of the two abutting edges after edge preparation.

The geometric unsharpness  $U_g$  is defined by the equation

$$U_g = Fd/D$$

where

$D$  = distance from source of radiation to the weld

$d$  = distance from the source side of the weld to the film

$F$  = source size; the maximum projected dimension of the radiating source (or effective focal spot) in the plane perpendicular to the distance  $D$  from the weld

$U_g$  = geometric unsharpness

## PW-13 HEAD-TO-FLANGE REQUIREMENTS

Dished heads, other than hemispherical, concave to pressure to be attached by butt welding, and flanged heads or flanged furnace connections to be fillet welded, shall have a length of flange not less than 1 in. (25 mm) for heads or furnace openings not over 24 in. (600 mm) in external diameter and not less than 1½ in. (38 mm) for heads or furnace openings over 24 in. (600 mm) in diameter.

**TABLE PW-11  
REQUIRED VOLUMETRIC EXAMINATION OF WELDED BUTT JOINTS**

Butt Weld Type	Pressure Part Service Conditions [Note (1)]		
	Subject to Furnace Radiant Heat [Note (2)]	Not Subject to Furnace Radiant Heat [Note (2)]	
	Contains Steam and/or Water	Contains Water	Contains Steam
Longitudinal	all sizes and thicknesses	all sizes and thicknesses	all sizes and thicknesses
Circumferential welds in drums and shells	> NPS 10 (DN 250) or > 1 $\frac{1}{8}$ in. (29 mm) thick	> NPS 10 (DN 250) or > 1 $\frac{1}{8}$ in. (29 mm) thick	> NPS 10 (DN 250) or > 1 $\frac{1}{8}$ in. (29 mm) thick
Circumferential welds in pipes, tubes, and headers	> NPS 4 (DN 100) or > $\frac{1}{2}$ in. (13 mm) thick	> NPS 10 (DN 250) or > 1 $\frac{1}{8}$ in. (29 mm) thick	> NPS 16 (DN 400) or > 1 $\frac{5}{8}$ in. (41 mm) thick

## GENERAL NOTES:

- (a) Unless exempted by this table, all longitudinal and circumferential welded butt joints are to be volumetrically examined throughout their entire length.
- (b) Volumetric examination is required when either the size or wall thickness limit is exceeded (i.e., the diameter and thickness limitations apply independently).
- (c) Radiographic examination shall be performed in accordance with PW-51.
- (d) Ultrasonic examination shall be carried out in accordance with PW-52.
- (e) Personnel performing the volumetric examination required by this table shall be qualified and certified in accordance with PW-50.
- (f) When any combination of radiographic parameters produces a geometric unsharpness exceeding 0.07 in. (1.8 mm) then UT shall be used.
- (g) Where the thickness is below  $\frac{1}{2}$  in. (13 mm) then RT shall be used.
- (h) Both RT and UT examination are required for welds in ferritic materials using the electroslog process. If a grain refining (austenizing) heat treatment is used, the UT examination shall be performed after the heat treatment is completed. If an austenizing heat treatment is not used, the UT examination shall be done after an intermediate postweld heat treatment or after the final post weld heat treatment is completed.
- (i) Both RT and UT examination are required for welds in any material using the inertia or continuous drive friction welding process.
- (j) For electric boilers volumetric examination is not required when the maximum allowable working pressure is  $\leq 100$  psig (700 kPa) and the shell I.D. is  $\leq 16$  in. (400 mm) (see PEB-9.1).
- (k) For firetube boilers, volumetric examination is not required for
- (1) longitudinal welded butt joints in furnaces made with the addition of filler metal, provided a bend test of a sample of the welded joint for each section of the furnace meets the requirements of PW-53
  - (2) circumferential welded butt joints in furnaces (see PFT-14)
  - (3) butt welds and corner joints meeting the requirements of PFT-21.1 through PFT-21.3 for waterlegs, furnaces, and fireboxes
- (l) For miniature boilers, volumetric examination is not required (see PMB-9).
- (m) Volumetric examination is not required for the longitudinal weld in ERW products that comply with an acceptable material specification when used for construction within the limitations of PG-9.5.

## NOTES:

- (1) Service conditions and pressure part contents are as determined by the designer.
- (2) A weld will not be considered subject to radiant heat from the furnace when in a portion of a pressure part that has five or more rows of tubes between it and the furnace.

**PW-14 OPENINGS IN OR ADJACENT TO WELDS**

Any type of opening that meets the requirements for compensation given in PG-32 through PG-44 may be located in a welded joint.

**PW-15 WELDED CONNECTIONS**

**PW-15.1** Nozzles, other connections, and their compensation may be attached to vessels by arc or gas welding. Sufficient weld and compensation shall be provided on either side of the plane through the center of the opening, parallel to the longitudinal axis of the vessel, to develop the required strength, as prescribed in PG-37, in shear or tension, whichever is applicable (see Fig. PW-15 for example calculations, where, if a fillet weld has unequal legs, the value of  $WL_1$  or  $WL_2$  shall be taken as the length of the shorter leg).

**PW-15.1.1** The stress correction factors in PW-15.2 shall apply to all welds.

**PW-15.1.2** The strength of fillet welds shall be based on one-half the area subjected to shear, computed on the average diameter of the weld.

**PW-15.1.3** The strength of groove welds shall be based on one-half the area subjected to shear or tension, as applicable, computed using the minimum weld depth dimension in the direction under consideration.

**PW-15.1.6** The strength calculations for nozzle attachment welds are not required for the weld configurations shown in Fig. PW-16.1, illustrations (a) through (c), (g), (h), (o), (q-1) through (q-4), (u-1), (v-1), (w-1), (y), and (z).

**PW-15.2 Stress Values for Weld Metal.** The allowable stress values for groove and fillet welds in percentages of stress values for the vessel material are as follows:

Material	Percentage
Groove-weld tension	74%
Groove-weld shear	60%
Fillet-weld shear	49%

NOTE: These values are obtained by combining the following factors:  $87\frac{1}{2}\%$  for combined end and side loading, 80% for shear strength, and the applicable joint efficiency factors.

**PW-15.3** Compensation plates and saddles of nozzles attached to the outside of a vessel shall be provided with at least one telltale hole [maximum size  $\frac{1}{4}$  in. (6 mm) pipe tap] that may be tapped for a preliminary compressed-air and soapsuds test for tightness of welds that seal off the inside of the vessel. These telltale holes shall be left open when the vessel is in service.

**PW-15.4** Figure PW-16.1 illustrates some types of fusion welded connections which are acceptable.

When end faces of nozzle or manhole necks are to remain unwelded in the completed vessel, these end faces shall not be cut by shearing unless at least  $\frac{1}{8}$  in. (3 mm) of additional metal is removed by any method that will produce a smooth finish.

**PW-16 MINIMUM REQUIREMENTS FOR ATTACHMENT WELDS**

**PW-16.1 General.** Except as permitted in PW-16.5, PW-16.6, and PW-16.7, nozzles and other connections to shells, drums, and headers shall be attached by full penetration welds applied from one or both sides, partial penetration welds applied from both sides, fillet welds applied from both sides, or fillet and partial penetration welds on opposite sides. In addition to the strength calculations required in PG-37, the location and minimum size of attachment welds for nozzles and other connections shall conform to the requirements in this paragraph. (10)

**PW-16.2 Nomenclature.** The symbols used in this paragraph and in Figs. PW-16.1 and PW-16.2 are defined as follows:

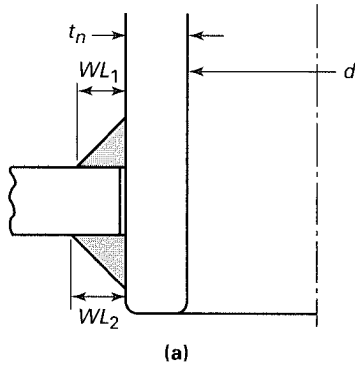
- $t$  = thickness of vessel shell or head
- $t_c$  = not less than the smaller of  $\frac{1}{4}$  in. (6 mm) or  $0.7t_{\min}$  (inside corner welds may be further limited by a lesser length of projection of the nozzle wall beyond the inside face of the vessel wall)
- $t_l$  = thickness of lug, hanger, or bracket, as shown in Fig. PW-16.2
- $t_{\min}$  = the smaller of  $\frac{3}{4}$  in. (19 mm) or the thickness of either of the weld parts joined by a fillet, single bevel, or single J-weld
- $t_n$  = thickness of nozzle wall
- $t_w$  = dimension of partial penetration attachment welds (fillet, single bevel, or single J), measured as shown in Fig. PW-16.1
- $t_1 + t_2 \geq \frac{1}{4} t_{\min}$  measured as shown in Fig. PW-16.1, in., both  $t_1$  and  $t_2$  shall each be not less than the smaller of  $\frac{1}{4}$  in. (6 mm) or  $0.7t_{\min}$

**PW-16.3** All welding shall be equivalent to that required under the rules within this Section. Volumetric examination of attachment welds may be omitted except as specifically required in other paragraphs of this Code, and except for inserted-type nozzles similar to those illustrated in Fig. PW-16.1, illustrations (q-1) through (q-4). (10)

**PW-16.4** Fittings shown in Fig. PW-16.1, illustrations (u-2), (v-2), (w-2), and (x) not exceeding NPS 3 (DN 80) may be attached by welds that are exempt from size requirements other than those specified in PW-15.1.

**PW-16.5** Internally threaded fittings not exceeding NPS 3 (DN 80) may be attached by a fillet groove weld

FIG. PW-15 EXAMPLES OF WELD STRENGTH CALCULATIONS



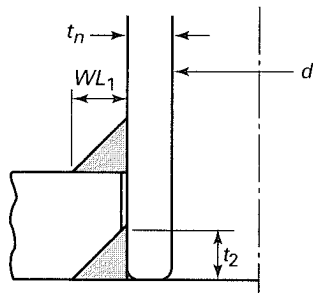
For sketch (a):

Required weld strength (PG-37.2):

$$W = (A - A_1) S_V$$

$$\begin{aligned} \text{Weld strength} &= WL_1 \text{ in shear} + WL_2 \text{ in shear} \\ &= 0.49 \left(\frac{1}{2}\right) WL_1 \pi (d + 2t_n + WL_1) S_V f_{r1} + \\ &\quad 0.49 \left(\frac{1}{2}\right) WL_2 \pi (d + 2t_n + WL_2) S_V f_{r1} \end{aligned}$$

(a)



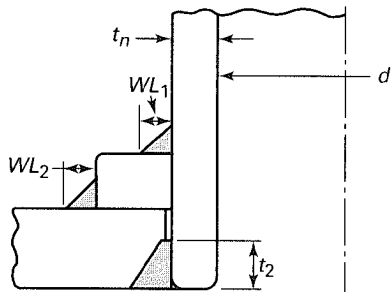
For sketch (b):

Required weld strength (PG-37.2):

$$W = (A - A_1) S_V$$

$$\begin{aligned} \text{Weld strength} &= WL_1 \text{ in shear} + t_2 \text{ in tension} \\ &= 0.49 \left(\frac{1}{2}\right) WL_1 \pi (d + 2t_n + WL_1) S_V f_{r1} + \\ &\quad 0.74 \left(\frac{1}{2}\right) t_2 \pi (d + 2t_n) S_V f_{r1} \end{aligned}$$

(b)



For sketch (c):

(1) Required weld strength (PG-37.2):

$$W = (A - A_1) S_V$$

$$\begin{aligned} \text{Weld strength} &= WL_2 \text{ in shear} + t_2 \text{ in tension} \\ &= 0.49 \left(\frac{1}{2}\right) WL_2 \pi (D_p + WL_2) S_V f_{r3} + \\ &\quad 0.74 \left(\frac{1}{2}\right) t_2 \pi (d + 2t_n) S_V f_{r1} \end{aligned}$$

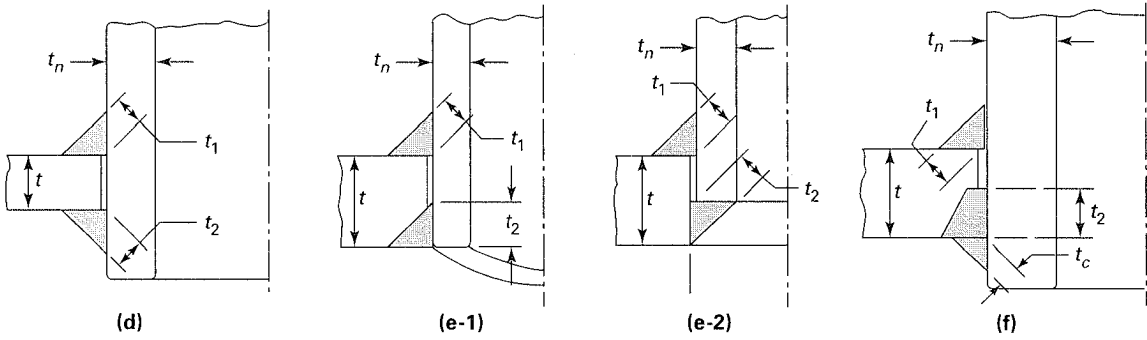
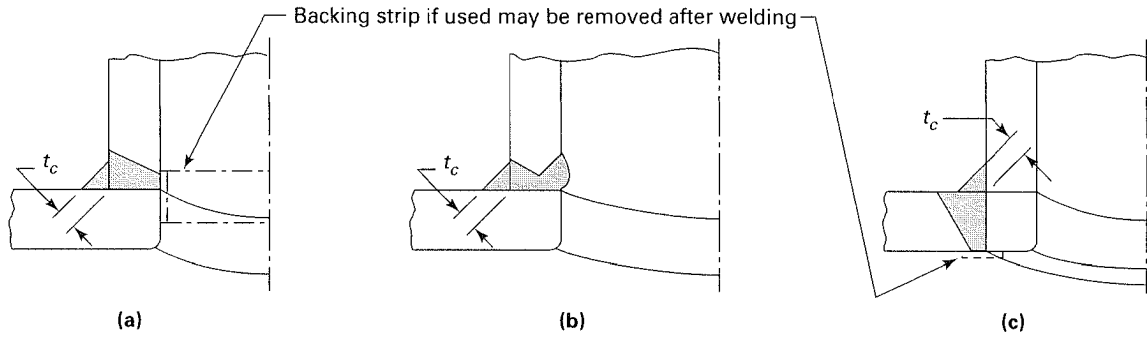
(2) Check nozzle to pad and shell (PG-37.3):

$$W = (A - A_1 - A_{42} - A_5) S_V$$

$$\begin{aligned} \text{Weld strength} &= WL_1 \text{ in shear} + t_2 \text{ in tension} \\ &= 0.49 \left(\frac{1}{2}\right) WL_1 \pi (d + 2t_n + WL_1) S_V f_{r1} + \\ &\quad 0.74 \left(\frac{1}{2}\right) t_2 \pi (d + 2t_n) S_V f_{r1} \end{aligned}$$

(c)

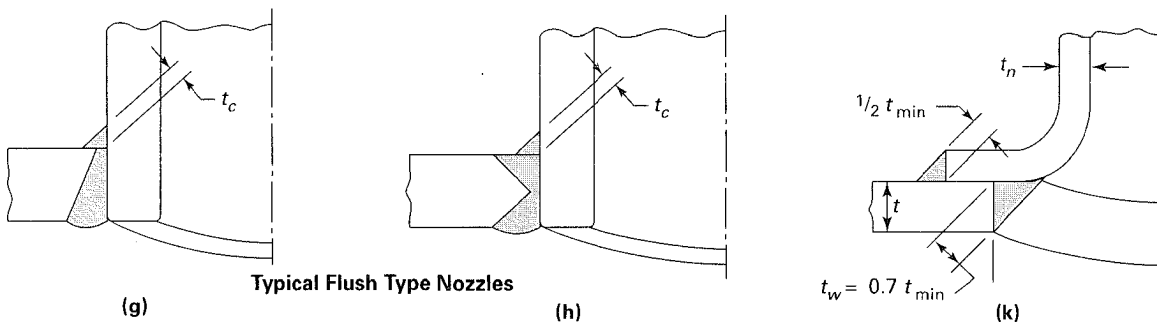
FIG. PW-16.1 SOME ACCEPTABLE TYPES OF WELDED NOZZLES AND OTHER CONNECTIONS TO SHELLS, DRUMS, AND HEADERS



For sketches (d) through (f):

$$t_1 + t_2 \geq 1\frac{1}{4} t_{\min}$$

$t_1$  and  $t_2$  shall each be not less than the smaller of  $\frac{1}{4}$  in. (6 mm) or  $0.7 t_{\min}$



Typical Flush Type Nozzles

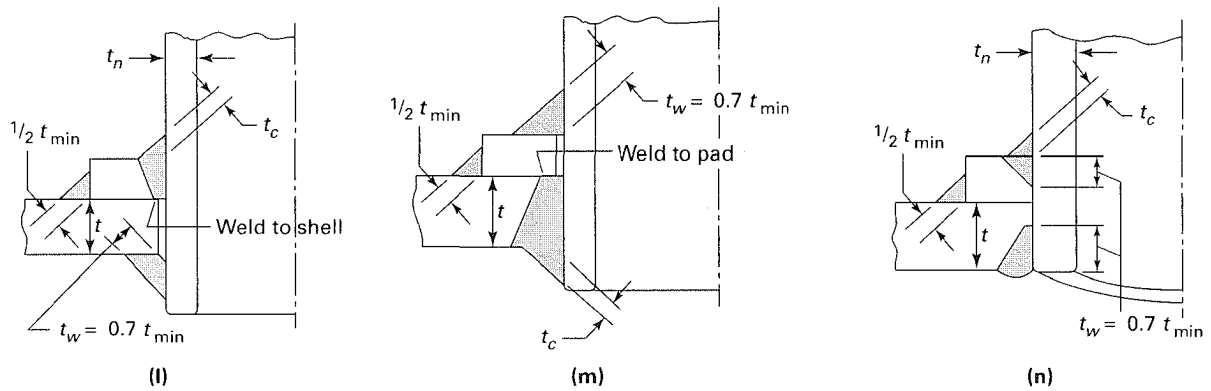
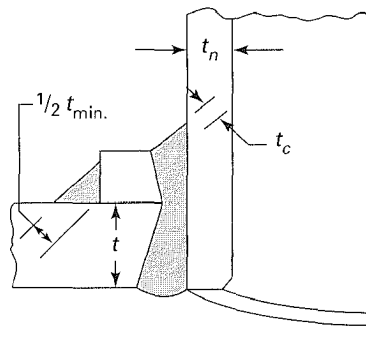
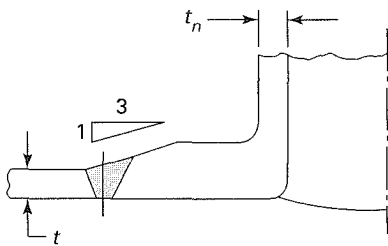


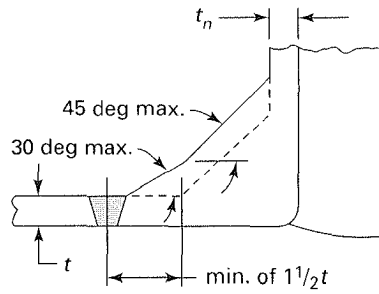
FIG. PW-16.1 SOME ACCEPTABLE TYPES OF WELDED NOZZLES AND OTHER CONNECTIONS TO SHELLS, DRUMS, AND HEADERS (CONT'D)



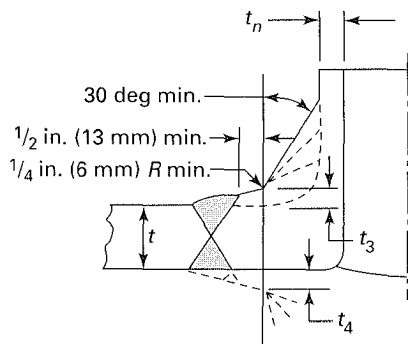
(o)



(q-1)

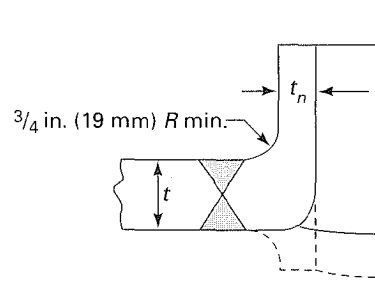


(q-2)



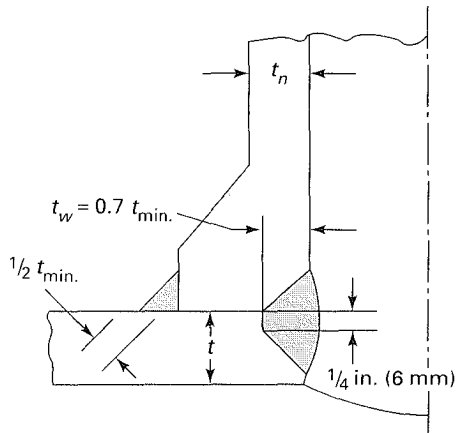
$t_1 + t_4 \leq 0.2 t$  but not greater than  $1/4$  in. (6 mm)

(q-3)

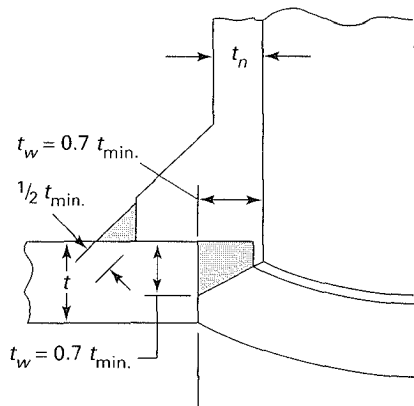


(q-4)

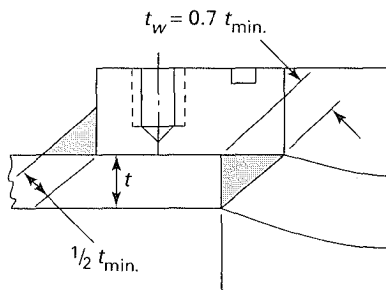
FIG. PW-16.1 SOME ACCEPTABLE TYPES OF WELDED NOZZLES AND OTHER CONNECTIONS TO SHELLS, DRUMS, AND HEADERS (CONT'D)



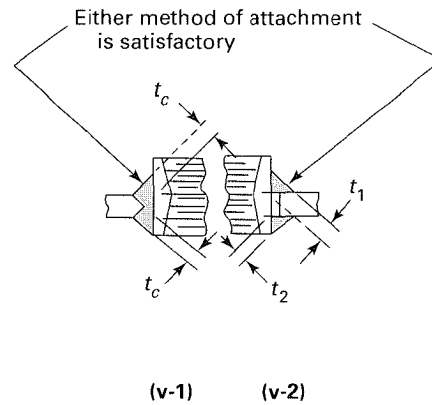
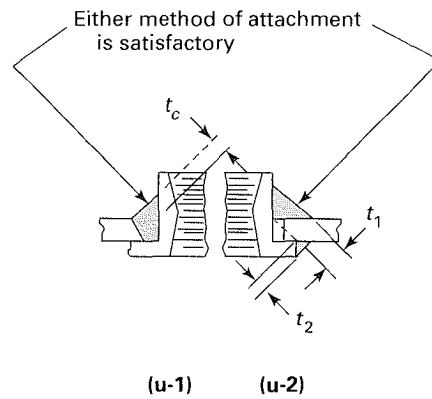
(r)



(s)



(t)



**For sketches (u) and (v):**

$$t_1 + t_2 \geq 1\frac{1}{4} t_{min.}$$

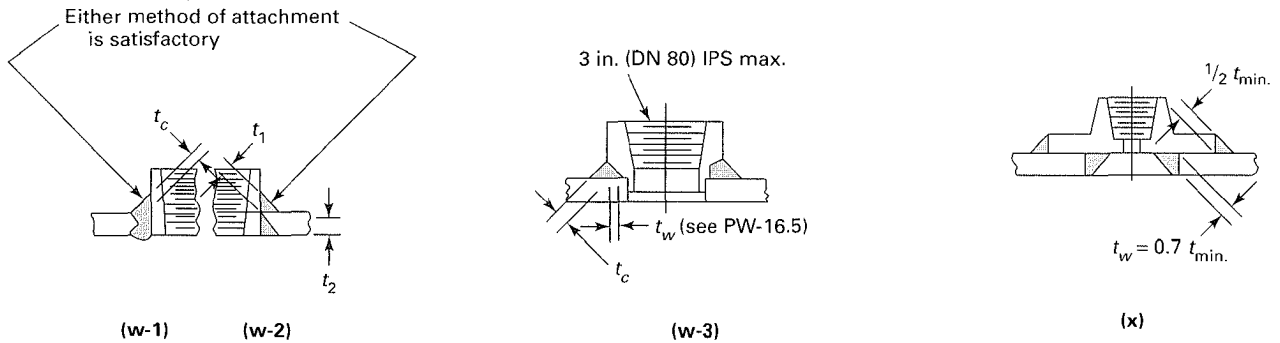
$t_1$  and  $t_2$  shall each be not less than the smaller of  $\frac{1}{4}$  in. (6 mm) or  $0.7 t_{min.}$

**For sketches (u-2) and (v-2):**

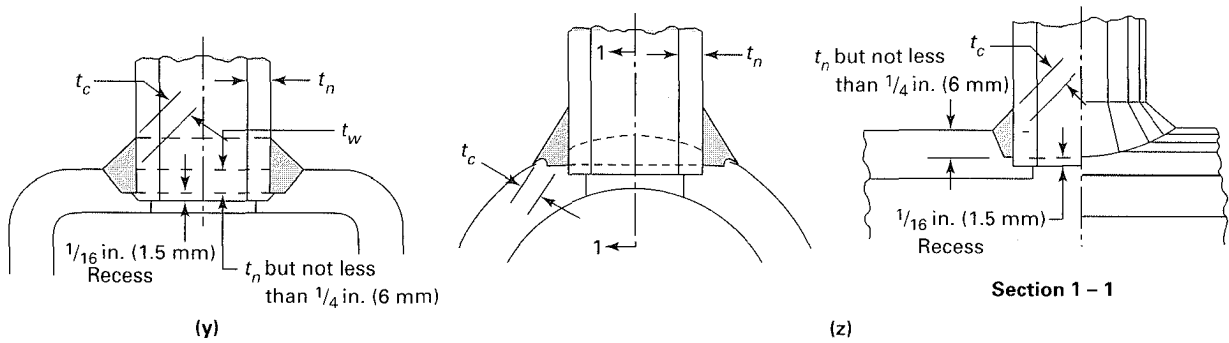
For 3 in. (75 mm) pipe and smaller, see exemption in PW-16.4.



FIG. PW-16.1 SOME ACCEPTABLE TYPES OF WELDED NOZZLES AND OTHER CONNECTIONS TO SHELLS, DRUMS, AND HEADERS (CONT'D)



For sketches (w-2) and (x):  
For 3 in. (DN 80) pipe and smaller, see exemption in PW-16.4.



For sketch (aa):

- (a) For applications where there are no external loads:  
 $G = \frac{1}{8}$  in. (3 mm) max.
- (b) With external loads:  
 $G = 0.005$  for  $D_o < 1$  in. (25 mm)  
 $G = 0.010$  for  $1$  in.  $< D_o < 4$  in. (100 mm)  
 $G = 0.015$  for  $4$  in.  $< D_o < 6\frac{5}{8}$  in. (170 mm)

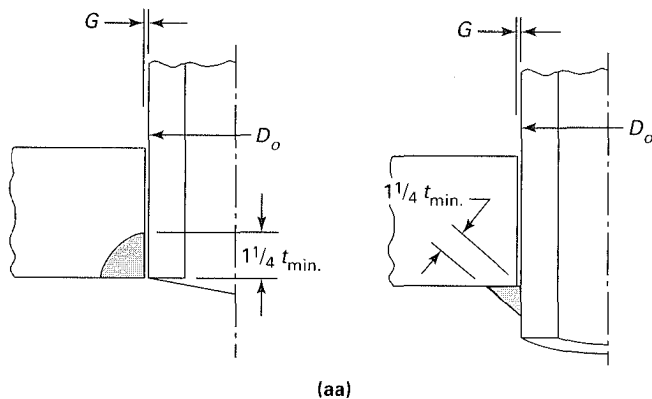
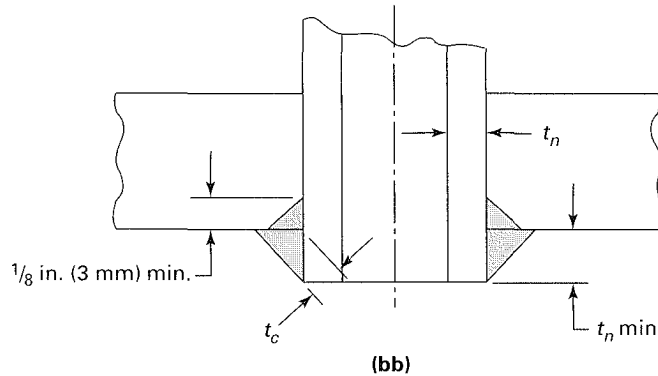
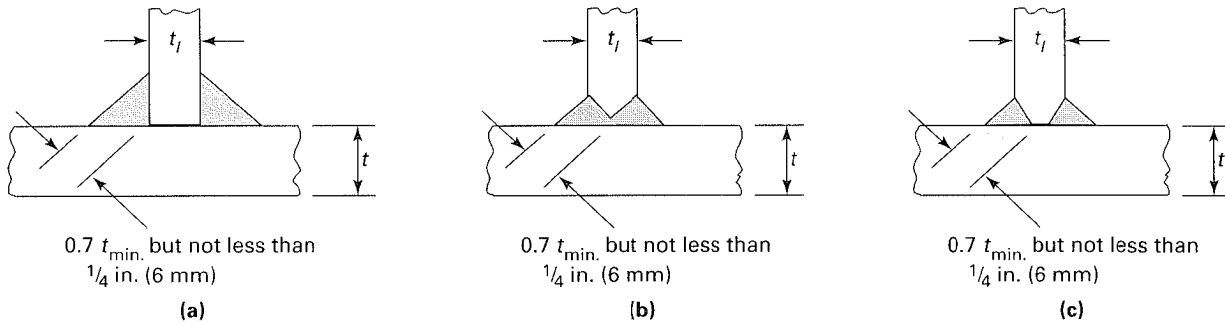


FIG. PW-16.1 SOME ACCEPTABLE TYPES OF WELDED NOZZLES AND OTHER CONNECTIONS TO SHELLS, DRUMS, AND HEADERS (CONT'D)



GENERAL NOTE [illustration (bb)]: NPS 2 (DN 50) max.  $t_n \leq \frac{1}{4}$  in. (6 mm)

FIG. PW-16.2 SOME ACCEPTABLE FORMS OF WELDS FOR LUGS, HANGERS, AND BRACKETS ON SHELLS, DRUMS, AND HEADERS (See PG-55)



from the outside only as shown in Fig. PW-16.1, illustration (w-3). The groove weld  $t_w$  shall be not less than the thickness of Schedule 160 pipe (ASME B36.10M). The external fillet weld throat shall be not less than  $t_c$ .

**PW-16.6 Necks and Tubes Up to and Including NPS 6 (DN 150) Attached From One Side Only.** Necks and tubes not exceeding NPS 6 (DN 150) may be attached by partial penetration or fillet welds from one side only on either the outside or inside of the vessel in accordance with the provisions given below

(a) When the neck or tube is attached from the outside only, a welding groove shall be cut into the surface to a depth of not less than  $t_n$  on the longitudinal axis of the opening. It is recommended that a recess  $\frac{1}{16}$  in. (1.5 mm) deep be provided at the bottom of the groove in which to center the nozzle. The dimension  $t_w$  of the attachment weld shall be not less than  $t_n$  nor less than  $\frac{1}{4}$  in. (6 mm). See Fig. PW-16.1, illustrations (y) and (z).

(b) When the neck or tube is attached from the inside only, the depth of welding groove or throat of fillet weld shall be at least equal to  $\frac{1}{4} t_{min}$ . Radial clearance between

the vessel hole and nozzle outside diameter at the unwelded side shall not exceed tolerances given in Fig. PW-16.1, illustration (aa). Such attachments shall satisfy the rules for reinforcement of opening except that no material in the nozzle neck shall be counted as reinforcement.

(c) Watertubes may be welded into a tubesheet or header in accordance with the following provisions, where  $t_w$ ,  $t_c$ , and  $t_{min}$  are as defined in PW-16.2 and illustrated in Fig. PW-16.1, illustration (bb):

- (1) The size shall not exceed NPS 2 (DN 50).
- (2) The thickness shall not exceed  $\frac{1}{4}$  in. (6 mm).
- (3) The groove depth  $t_w$  shall be not less than  $\frac{1}{8}$  in. (3 mm) and  $t_c$  shall be not less than  $\frac{1}{4}$  in. (6 mm) or  $0.7 t_{min}$ , whichever is smaller.
- (4) The tube shall be welded from the waterside of the boiler.
- (5) The application shall be limited to 650°F (345°C) maximum.

**PW-16.7** The minimum throat dimensions of fillet welds defined in PW-16.2 shall be maintained around the circumference of the attachment, except as provided below: (10)

(a) For a radial nozzle attachment on a cylindrical shell (or header) as shown in Fig. PW-16.1 where the nozzle meets the size limitations in PG-32.3.2, the fillet weld leg dimensions that meet the minimum throat dimensions shall be determined at the plane through the longitudinal axis of the cylindrical shell (other planes need not be considered), and these fillet weld leg dimensions shall be used around the circumference of the attachment.

(b) For a radial nozzle attachment on a cylindrical shell (or header) as shown in Fig. PW-16.1, illustrations (a) through (c), (g), (h), and (o), where the nozzle exceeds the size limitations in PG-32.3.2, the fillet weld leg dimensions that meet the minimum throat dimensions shall be determined at the plane through the longitudinal axis of the cylindrical shell (other planes need not be considered), and these fillet weld leg dimensions shall be used around the circumference of the attachment.

(c) For a radial nozzle attachment on a cylindrical shell (or header) as shown in Fig. PW-16.1, illustrations (a) through (c), (g), and (h), where the outside diameter of the nozzle is the same as the outside diameter of the cylindrical shell or when the outside diameter of the nozzle is too large to make a fillet weld, the fillet weld leg dimensions that meet the minimum throat dimensions shall be determined at the plane through the longitudinal axis of the cylindrical shell (other planes need not be considered), and these fillet weld leg dimensions shall be used around the circumference of the attachment to the maximum extent possible, and from that point, the fillet weld may be transitioned into a butt weld or full-penetration weld, developing the required strength.

## PW-19 WELDED-IN STAYS

Welded-in stays may be used in lieu of threading and shall meet the requirements of PW-19.1 through PW-19.8.

**PW-19.1** The stays shall be inserted into countersunk holes through the sheet, except as provided in PW-19.4, and attached by full penetration welds. The area of the weld in shear measured parallel to that portion of the stay extending through the sheet shall be not less than 1.25 times the required cross-sectional area of the stay, but in no case shall the size of the weld be less than  $\frac{3}{8}$  in. (10 mm).

**PW-19.2** The ends of the stays shall not be covered by weld metal and the face of the welds shall not be below the outside surface of the plates.

**PW-19.3** The ends of stays inserted through the sheet shall not project more than  $\frac{3}{8}$  in. (10 mm) beyond surfaces exposed to products of combustion.

**PW-19.4** Diagonal stays shall be attached to the inner surface of the shell, but not the head, by fillet welds only. See Figs. PW-19.4(a) and PW-19.4(b), provided

**PW-19.4.1** Fillet welds shall be not less than  $\frac{3}{8}$  in. (10 mm) size and shall continue the full length of each side of the portion of the stay in contact with the shell. The product of the aggregate length of these fillet welds times their throat shall be not less than 1.25 times the required cross-sectional area of the stay. A fillet weld across the end of the stay is optional but shall not be credited in calculating the required area of fillet welds.

**PW-19.4.3** The longitudinal center line of the stay, projected if necessary, shall intersect the inner surface of the plate to which the stay is attached within the outer boundaries of the attaching welds, also projected if necessary.

**PW-19.5** The pitch of stays attached by welding to flat surfaces shall comply with the requirements of PFT-27.

**PW-19.6** The welding shall be done in such a manner that excessive weld deposits do not project through the surface of the plate at the root of the weld.

**PW-19.7** The welding shall be postweld heat treated in accordance with PW-39.

**PW-19.8** Teltale holes are not required in staybolts attached by welding.

## FABRICATION

### PW-26 GENERAL

The rules in the following paragraphs apply specifically to the fabrication of boilers and parts thereof that are fabricated by welding and shall be used in conjunction with the general requirements for fabrication in Part PG, as well as with the specific requirements for fabrication in the applicable Parts of this Section that pertain to the type of boiler under consideration.

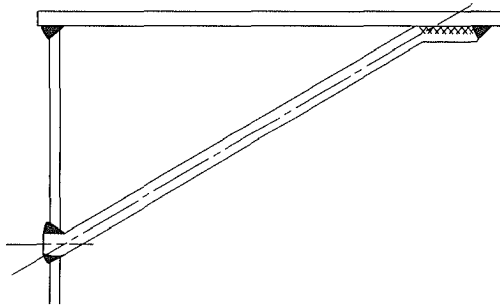
### PW-27 WELDING PROCESSES

The welding processes that may be used under this Part shall meet all the test requirements of Section IX and are restricted to PW-27.1 through PW-27.4.

**PW-27.1** The following welding processes may be used for any Section I construction: shielded metal arc, submerged arc, gas metal arc, flux cored arc, gas tungsten arc, plasma arc, atomic hydrogen arc, oxyhydrogen, oxyacetylene, laser beam, electron beam, flash, induction, pressure thermit, pressure gas, and inertia and continuous drive friction welding.

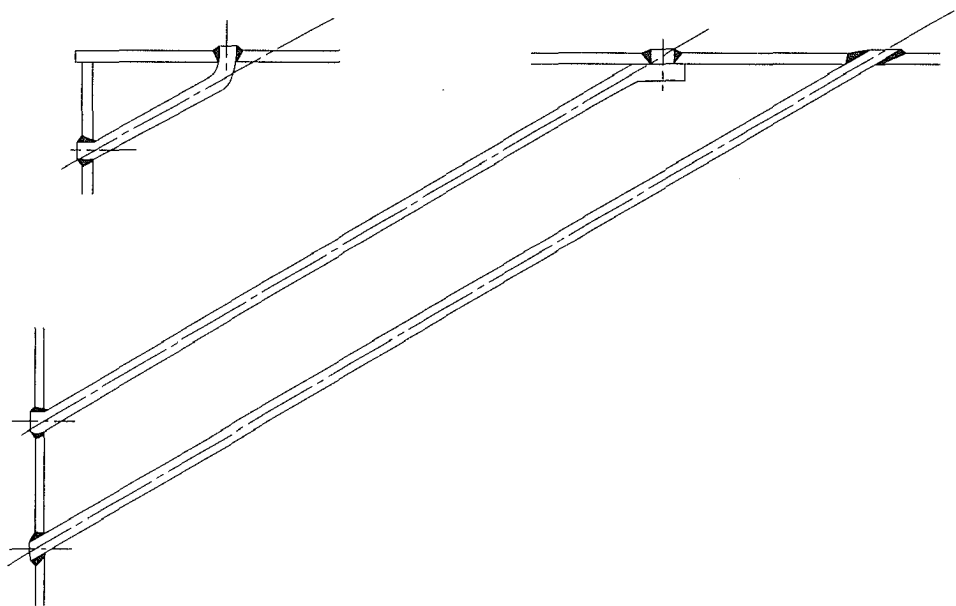
Resistance welding is permitted within the thickness and diameter limitations given in PG-9.5, except that circumferential butt welds and pressure-bearing attachment welds are not restricted. Resistance welding of nonpressure-bearing

FIG. PW-19.4(a) SOME ACCEPTABLE TYPES OF DIAGONAL BRACES FOR INSTALLATION BY WELDING



GENERAL NOTE: A round bar or a round bar with a forged palm

FIG. PW-19.4(b) UNACCEPTABLE TYPES OF DIAGONAL BRACES FOR INSTALLATION BY WELDING



attachments is not restricted, except as provided in PW-27.2.

**PW-27.2** Arc stud welding and resistance stud welding may be used for nonpressure-bearing attachments having a load- or nonload-carrying function. Stud size shall be limited to 1 in. (25 mm) diameter maximum for round studs or an equivalent cross-sectional area for studs with other shapes. For load-carrying attachments, the requirements of PW-28.6 shall be met prior to the start of production welding, and the postweld heat treatment requirements of PW-39 shall also be complied with.

**PW-27.3** The electroslag welding process may be used for butt welds only in austenitic stainless steels of types listed in PW-5.3 and ferritic steels. Electroslag welds in ferritic steels require special NDE [Table PW-11, General Notes (a) and (b)] and special heat treatment (PW-39.7).

**PW-27.4** Definitions are given in Section IX, which include variations of these processes.

**PW-27.5** When welding UNS N06230 with filler metal of the same nominal composition as the base metal, only GMAW or GTAW processes are allowed.

**PW-28 WELDING QUALIFICATION AND WELD RECORDS**

**PW-28.1 Requirements for Qualification of Welding Procedures, Welders, and Welding Operators**

**PW-28.1.1** The Welding Procedure Specifications, the welders, and the welding operators used in welding pressure parts and in joining load-carrying nonpressure parts, such as all permanent or temporary clips and lugs, to pressure parts shall be qualified in accordance with Section IX.

**PW-28.1.2** Except as provided in PW-28.1.2(a) and (b), the Welding Procedure Specification, the welders and the welding operators used in welding nonpressure-bearing

attachments which have essentially no load-carrying function (such as extended heat transfer surfaces, insulation support pins, etc.) to pressure parts shall be qualified in accordance with Section IX.

(a) When the welding process is automatic, welding procedure and performance qualification testing is not required.

(b) When the material used for the nonpressure part makes the mechanical test requirements for procedure qualification and performance qualifications impracticable (i.e., insufficient material ductility), a weld test coupon may be evaluated using the macro-examination method for both groove and fillet welds. The test coupon may be of production configuration and shall be of sufficient length to contain a specimen for macro-examination. Heat treatment shall be considered a nonessential variable. The weldable quality of the nonpressure part materials shall be verified by the macro-examination of a single cross-section of the weld. Visual examination of the weld metal and heat-affected zone of both the pressure part and nonpressure part material shall show complete fusion and freedom from cracks.

**PW-28.1.3** Welding of all test coupons shall be conducted by the Manufacturer. Testing of all test coupons shall be the responsibility of the Manufacturer. Qualification of a welding procedure, a welder, or a welding operator by one Manufacturer shall not qualify that procedure, welder, or the welding operator for any other Manufacturer except as provided in QW-201 and QW-300 of Section IX and PW-28.5.

**PW-28.2** No production work shall be undertaken until the procedures, the welders, and the welding operators have been qualified, except that performance qualification by radiography, in conformance with Section IX, QW-304 for welders or QW-305 for welding operators, may be performed within the first 3 ft (1 m) of the first production weld.

**PW-28.4** The Manufacturer shall maintain qualification records of the welding procedures, welders, and welding operators employed, showing the date, results of the tests, and the identification mark assigned to each welder. These records shall be certified by the Manufacturer by signature or some other method of control in accordance with the Manufacturer's Quality Control System and be accessible to the Authorized Inspector.

**PW-28.4.1** The Manufacturer shall also establish a procedure whereby all welded joints, except as permitted in PW-28.4.2 and PW-28.4.3, can be identified as to the welder or welding operator who made them. This procedure shall use one or more of the following methods and be acceptable to the Authorized Inspector. The welder or welding operator may stamp his identification mark on or adjacent to all welded joints made by him, or he may stamp

on or adjacent to a continuous weld or a series of similar joints made by him at intervals of not greater than 3 ft (1 m), or, in lieu of stamping, the Manufacturer may keep a record of welded joints and the welders or welding operators used in making the joints.

**PW-28.4.2** When making multiple load-carrying or nonload-carrying structural attachment welds on pressure parts, the Manufacturer need not identify the welder or welding operator that welded each individual joint, provided

(a) the Manufacturer's Quality Control System includes a procedure whereby the identity of the welders or welding operators that made such welds on each pressure part will be maintained so that the Inspector can verify that the welders or welding operators were all properly qualified

(b) the welds are all the same type and configuration and are welded with the same welding procedure specification

**PW-28.4.3** Identification of welders or welding operators making tack welds that become part of a final pressure-retaining weld or structural attachment weld is not required provided the Quality Control System of the Manufacturer includes a procedure to permit the Inspector to verify that such tack welds were made by qualified welders or welding operators.

PW-28.5 DELETED

(10)

**PW-28.6** In the case where stud welding is used to attach load-carrying studs, a production stud weld test of the procedure and welding operator shall be performed on a separate test plate or tube prior to the start of production welding on the first work piece. This weld test shall consist of five studs, welded and subjected to either the bend or torque stud weld testing described in Section IX.

**PW-28.7** If tube butt welds are made using the flash welding process, production testing shall be performed in accordance with Section IX, QW-199.1.3 as follows:

(a) one sample shall be tested at the start of production

(b) one sample shall be tested at the beginning, midpoint, and end of each work shift

(c) when production shifts are consecutive, a test at the end of the shift may serve as the test for the beginning of the next shift

(d) when a welding operator is replaced during production

(e) if any machine settings are changed

When any production run weld fails to pass the required tests, the welding parameters shall be adjusted until two consecutive welds pass the bend test. In addition, all welds that were made subsequent to the previous successful test

shall be either cut out and rewelded or cut out and tested in reverse sequence of welding until two successive welds pass the tests.

#### PW-29 BASE METAL PREPARATION

**PW-29.1** The preparation of joints prior to welding may involve any of the conventional methods in use such as machining, thermal cutting, chipping, grinding, or combinations of these.

**PW-29.2** Where thermal cutting is used, the effect on the mechanical and metallurgical properties of the base metal shall be taken into consideration.

**PW-29.3** The method of base metal preparation used shall leave the welding groove with reasonably smooth surfaces and free from deep notches, striations, or irregularities. The surfaces for welding shall be free of all scale, rust, oil, grease, or other foreign materials.

**PW-29.4** Cast surfaces to be welded shall be machined, chipped, or ground where necessary to remove foundry scale and to expose sound metal.

#### PW-31 ASSEMBLY

**PW-31.1** Parts that are being welded shall be fitted, aligned, and retained in position during the welding operation within the tolerance specified in PW-33.

**PW-31.2** Bars, jacks, clamps, tack welds, or other appropriate means may be used to hold the edges of the parts to be welded in alignment.

**PW-31.3** Tack welds used to secure alignment shall either be removed completely when they have served their purpose or their stopping and starting ends shall be properly prepared by grinding or other suitable means so that they may be satisfactorily incorporated into the final weld. Tack welds, whether removed or left in place, shall be made using a fillet weld or butt weld procedure qualified in accordance with Section IX. Tack welds to be left in place shall be made by welders qualified in accordance with Section IX and shall be examined visually for defects and, if found to be defective, shall be removed.

**PW-31.4** When joining two parts by the inertia and continuous drive friction welding processes, one of the two parts must be held in a fixed position and the other part rotated. The two faces to be joined must be essentially symmetrical with respect to the axis of rotation. Some of the basic types of applicable joints are solid round-to-solid round, tube-to-tube, solid round-to-tube, solid round-to-plate, and tube-to-plate.

TABLE PW-33  
ALIGNMENT TOLERANCE OF SECTIONS  
TO BE BUTT WELDED

Section Thickness, in. (mm)	Direction of Joints in Cylindrical Shells	
	Longitudinal in. (mm)	Circumferential in. (mm)
Up to $\frac{1}{2}$ (13), incl.	$\frac{1}{4}t$	$\frac{1}{4}t$
Over $\frac{1}{2}$ (13) to $\frac{3}{4}$ (19), incl.	$\frac{1}{8}$ (3.0)	$\frac{1}{4}t$
Over $\frac{3}{4}$ (19) to $1\frac{1}{2}$ (38), incl.	$\frac{1}{8}$ (3.0)	$\frac{3}{16}$ (5)
Over $1\frac{1}{2}$ (38) to 2 (50), incl.	$\frac{3}{8}$ (3.0)	$\frac{1}{8}t$
Over 2 (50)	Lesser of $\frac{1}{16}t$ or $\frac{3}{8}$ (10)	Lesser of $\frac{1}{8}t$ or $\frac{3}{4}$ (19)

#### PW-33 ALIGNMENT TOLERANCE, SHELLS AND VESSELS (INCLUDING PIPE OR TUBE USED AS A SHELL)

**PW-33.1** Alignment of sections at edges to be butt welded shall be such that the maximum offset is not greater than the applicable amount as listed in Table PW-33, where  $t$  is the nominal thickness of the thinner section at the joint.

**PW-33.2** Joints in spherical vessels and within heads and joints between cylindrical shells and hemispherical heads shall meet the requirements in PW-33.1 above for longitudinal joints in cylindrical shells.

**PW-33.3** Any offset within the allowable tolerance provided above shall be faired at a 3 to 1 taper over the width of the finished weld, or if necessary, by adding additional weld metal beyond what would otherwise be the edge of the weld.

#### PW-34 ALIGNMENT, TUBE AND PIPE

**PW-34.1** When tubes or pipes are welded together, the alignment shall be such that the inside surfaces provide for complete weld penetration. The weld shall meet the reinforcement requirements of PW-35.

#### PW-35 FINISHED LONGITUDINAL AND CIRCUMFERENTIAL JOINTS

**PW-35.1** Butt welds shall have complete joint penetration. To assure that the weld grooves are completely filled so that the surface of the weld metal at any point is not below the surface of the adjoining base materials, weld metal may be added as reinforcement on each face of the weld. The thickness of the weld reinforcement on each face shall not exceed the following: (10)

Nominal Thickness, in. (mm)	Maximum Reinforcement, in. (mm)	
	Circumferential Joints in Pipe and Tubing	Other Welds
Up to $\frac{1}{8}$ (3)	$\frac{3}{32}$ (2.5)	$\frac{3}{32}$ (2.5)
Over $\frac{1}{8}$ (3) to $\frac{3}{16}$ (5), incl.	$\frac{1}{8}$ (3.0)	$\frac{3}{32}$ (2.5)
Over $\frac{3}{16}$ (5) to $\frac{1}{2}$ (13), incl.	$\frac{5}{32}$ (4.0)	$\frac{3}{32}$ (2.5)
Over $\frac{1}{2}$ (13) to 1 (25), incl.	$\frac{3}{16}$ (5.0)	$\frac{3}{32}$ (2.5)
Over 1 (25) to 2 (50), incl.	$\frac{1}{4}$ (6.0)	$\frac{1}{8}$ (3.0)
Over 2 (50) to 3 (75), incl.	[Note (1)]	$\frac{5}{32}$ (4.0)
Over 3 (75) to 4 (100), incl.	[Note (1)]	$\frac{7}{32}$ (5.5)
Over 4 (100) to 5 (125), incl.	[Note (1)]	$\frac{1}{4}$ (6.0)
Over 5 (125)	[Note (1)]	$\frac{5}{16}$ (8.0)

NOTE:

(1) The greater of  $\frac{1}{4}$  in. (6 mm) or  $\frac{1}{8}$  times the width of the weld in inches (mm).

As-welded surfaces are permitted; however, the surface of the welds shall be sufficiently free from coarse ripples, grooves, overlaps, abrupt ridges, and valleys to avoid stress raisers. Undercuts shall not exceed  $\frac{1}{32}$  in. (0.8 mm) or 10% of the wall thickness, whichever is less, and shall not encroach on the required section thickness. The surfaces of the finished weld shall be suitable to permit proper interpretation of the nondestructive examinations. If there is a question regarding the surface condition of the weld when interpreting radiographic film, the film shall be compared to the actual weld surface for determination of acceptability.

**PW-35.2** The weld reinforcement need not be removed except to the extent necessary to meet the thickness requirements in PW-35.1.

(10) **PW-35.3** Backing strips used at longitudinal welded joints shall be removed and the weld surface prepared for volumetric examination as required. Inside backing rings may remain at circumferential joints of cylinders, provided they meet the requirements of PW-41.

**PW-35.4** The welded joint between two members joined by the inertia and continuous drive friction welding processes shall be full penetration weld. Visual examination of the as-welded flash roll of each weld shall be made as an in-process check. The weld upset shall meet the specified amount with  $\pm 10\%$ . The flash shall be removed to sound metal.

**PW-36 MISCELLANEOUS WELDING REQUIREMENTS**

**PW-36.1** Before applying weld metal on the second side to be welded, the root of double-welded butt joints shall be prepared by suitable methods such as chipping, grinding, or thermal gouging, so as to secure sound metal at the base of weld metal deposited on the face side, except

for those processes of welding by which proper fusion and penetration are otherwise obtained and by which the root of the weld remains free from impurities.

**PW-36.2 Fillet Welds.** In making fillet welds, the weld metal shall be deposited in such a way as to secure adequate penetration into the base metal at the root of the weld. Undercuts on pressure-retaining boundaries shall not exceed the lesser of  $\frac{1}{32}$  in. (0.8 mm) or 10% of the nominal thickness of the adjoining surface and shall not encroach upon the required section thickness. The surface of the welds shall be free from coarse ripples or grooves, and shall merge smoothly with the surfaces being joined. Concavity of the face of the weld is permissible, provided it does not encroach on the required weld thickness.

**PW-38 PREHEATING**

**PW-38.1** The need for and the temperature of preheat are dependent upon a number of factors such as chemical analysis, degree of restraint of the parts being joined, elevated temperature mechanical properties, and material thicknesses. Some practices used for preheating are described in A-100 as a general guide for the materials listed by P-Numbers of Section IX. It is cautioned that the preheating suggested in A-100 does not necessarily ensure satisfactory completion of the welded joint and that the requirements for individual materials within the P-Number listing may have preheating more or less restrictive than this general guide. The welding procedure specification for the material being welded shall specify the minimum preheating requirements described in the welding procedure qualification requirements of Section IX.

**PW-38.2** Preheat for welding or thermal cutting may be applied by any method that does not harm the base material or any weld metal already applied, or that does not introduce into the welding area foreign material that is harmful to the weld.

**PW-39 REQUIREMENTS FOR POSTWELD HEAT TREATMENT**

The rules in the following paragraphs apply specifically to the fabrication of the boiler proper and parts thereof and do not apply to the external piping as defined in the Preamble.

(10) **PW-39.1** Before applying the detailed requirements and exemptions in these paragraphs, satisfactory weld procedure qualifications of the procedures to be used shall be performed in accordance with all the essential variables of Section IX including conditions of postweld heat treatment or lack of postweld heat treatment and including other restrictions listed below. Except as otherwise specifically provided in PFT-29, PMB-9, PW-39.8, PW-40.2, PW-40.3,

and in the notes within Table PW-39, all welded pressure parts of power boilers shall be given a postweld heat treatment at a temperature not less than that specified in Table PW-39. The materials in Table PW-39 are listed in accordance with the materials P-Number grouping of QW-420 of Section IX.

**PW-39.2** When pressure parts of two different P-Number groups are joined by welding, the postweld heat treatment shall be that specified in Table PW-39 and applicable notes for the material requiring the higher postweld heat treatment temperature, except as noted in PW-39.2.1. When nonpressure parts are welded to pressure parts, the postweld heat treatment temperature of the pressure parts shall control.

Pressure part welds and attachment welds using ferritic filler metals that have a specified chromium content of more than 3% shall receive a postweld heat treatment. The postweld heat treatment time and temperature used shall be not less than that shown in Table PW-39 for a base metal of equivalent analysis.

**PW-39.2.1** Fillet welds, partial penetration welds, and full penetration welds through the tube or pipe thickness, attaching P-No. 5A tubes and pipe to headers of lower P-Number material, may be postweld heat treated at the temperature specified in Table PW-39 for the lower P-Number material provided the tubes or pipe comply with all the following conditions:

- (a) a maximum specified chromium content of 3.0%
- (b) a maximum size of NPS 4 (DN 100)
- (c) a maximum thickness of  $\frac{1}{2}$  in. (13 mm)
- (d) a maximum specified carbon content of not more than 0.15%

**PW-39.3** In the procedures that follow, the volume of metal required to be heated, to meet or exceed the minimum post weld heat treatment temperatures listed in Table PW-39, is defined as the soak band. As a minimum, the soak band shall contain the weld and a portion of the base metal on each side of the weld being heat treated, including the weld heat affected zones. The width of each portion of base metal to be included in the soak band shall be equal to the lesser of the vessel or shell thickness, or 2 in. (50 mm). A greater amount of base material, on either or both sides of the weld, may also be heated to permit temperature gradient control.

The weldment shall be heated slowly to the temperature specified in Table PW-39 and held for the specified time, and shall be allowed to cool slowly in a still atmosphere to a temperature not exceeding 800°F (425°C). Several weldments of varied thickness may be postweld heat treated in the same furnace at the same time.

The term nominal thickness in Table PW-39 is the thickness of the weld, pressure retaining material, or the thinner of the sections being joined, whichever is least. For fillet

welds, the nominal thickness is the throat thickness, and for partial penetration and material repair welds, the nominal thickness is the depth of the weld groove or preparation. For combination groove and fillet welds, nominal thickness is the total combined thickness of the deposited weld, groove depth plus fillet weld throat. The total depth of a weld repair shall be taken as the sum of the depths for repairs made from both sides of a weld at a given location.

The holding time at temperature as specified in Table PW-39 need not be continuous. It may be an accumulation of time of multiple postweld heat treat cycles.

**PW-39.4** The weldments shall be postweld heat treated by any of the following methods.

**PW-39.4.1** Heating the complete assembly as a unit.

**PW-39.4.2** Heating sections of assemblies.

**PW-39.4.3** In cases where the vessel is postweld heat treated in sections, the heat treatment of the final joints may be performed by one of the following methods.

**PW-39.4.3.1** By uniformly heating a circumferential band around the vessel, to the temperature and for the time specified in Table PW-39 for postweld heat treatment.

**PW-39.4.3.2** Alternatively, the post weld heat treatment of the final joints may be performed by heating in the furnace, provided the overlap of the heated sections of the vessel is at least 5 ft (1.5 m). When this procedure is used, the portion outside of the furnace shall be thermally shielded (using blankets, brick, etc.) so that the temperature gradient is not harmful.

**PW-39.4.3.2.1** Where the cross section of the vessel that projects from the furnace contains a nozzle, consideration shall be given to controlling the temperature in the nozzle, so that the temperature gradient is not harmful.

**PW-39.5** Nozzles or other welded attachments for which postweld heat treatment is required may be locally postweld heat treated by one of the following methods.

**PW-39.5.1** By heating a circumferential band around the entire vessel with the welded connection located at the middle of the band. Except as modified below, the soak band shall extend around the entire vessel, and shall include the nozzle of welded attachment.

**PW-39.5.1.1** By heating a circumferential band around the entire vessel with the welded connection located at the middle of the band. Provided the required soak band around the nozzle or attachment weld, as defined in PW-39.3, is heated to the required temperature and held for the required time, as specified in Table PW-39, the remainder of the circumferentially-heated band may be varied in width around the circumference of the vessel. The temperature within the heated band shall be controlled to prevent harmful gradients.



**TABLE PW-39**  
**MANDATORY REQUIREMENTS FOR POSTWELD HEAT TREATMENT OF PRESSURE PARTS AND ATTACHMENTS**

Material	Minimum Holding Temperature, °F (°C)	Minimum Holding Time at Normal Temperature for Weld Thickness (Nominal)		
		Up to 2 in. (50 mm)	Over 2 in. (50 mm) to 5 in. (125 mm)	Over 5 in. (125 mm)
P-No. 1 Group No. 1,2,3	1,100 (595)	1 hr/in. (1 hr/25 mm), 15 min minimum	2 hr plus 15 min for each additional inch (25 mm) over 2 in. (50 mm)	2 hr plus 15 min for each additional inch (25 mm) over 2 in. (50 mm)

**GENERAL NOTES:**

(a) Postweld heat treatment is not mandatory for P-No. 1 materials under the following conditions:

- (1) when the nominal thickness of a groove weld or combination groove and fillet weld does not exceed  $\frac{3}{4}$  in. (19 mm), and a minimum preheat of 200°F (95°C) is applied when the nominal material thickness of any of the base metals in the weld joint exceeds 1 in. (25 mm).
- (2) when the nominal thickness of a groove weld, or combination groove and fillet weld is greater than  $\frac{3}{4}$  in. (19 mm) but does not exceed 1½ in. (38 mm), and:
  - (a) the calculated carbon equivalent, CE, of any of the base metals in the weld joint is less than or equal to 0.45, using the formula

$$CE = C + (Mn + Si)/6 + (Cr + Mo + V)/5 + (Ni + Cu)/15$$

Note: The maximum chemical composition limit from the material specification or the actual values from a chemical analysis or material test report shall be used in computing CE. If the chemistry values required for the last two terms are not available, 0.15% shall be substituted for those two terms as follows:

$$CE = C + (Mn + Si)/6 + 0.15$$

- (b) a minimum preheat of 250°F (120°C) is applied
  - (c) no individual weld pass thickness exceeds  $\frac{1}{4}$  in. (6 mm)
  - (3) for fillet welds used on slip-on and socket welding flanges and fittings conforming to the rules of PW-41, when the following conditions are met:
    - (a) a fillet weld throat thickness of  $\frac{1}{2}$  in. (13 mm) or less, regardless of base metal thickness
    - (b) a minimum preheat of 200°F (95°C) when the thickness of a pressure part at the weld exceeds  $\frac{3}{4}$  in. (19 mm)
  - (4) for fillet welds attaching nonpressure parts to pressure parts that have a throat thickness of  $\frac{1}{2}$  in. (13 mm) or less, provided preheat to a minimum temperature of 200°F (95°C) is applied when the thickness of the pressure part exceeds  $\frac{3}{4}$  in. (19 mm)
  - (5) for welds used to attach extended heat absorbing surface to tubes and insulation attachment pins to pressure parts
  - (6) for tubes or pressure retaining handhole and inspection plugs or fittings that are secured by physical means (rolling, shoulder construction, machine threads, etc.) and seal welded, provided the seal weld has a throat thickness of  $\frac{3}{8}$  in. (10 mm) or less, and preheat to a minimum temperature of 200°F (95°C) is applied when the thickness of either part exceeds  $\frac{3}{4}$  in. (19 mm)
  - (7) for studs welded to pressure parts for purposes not included in (4) above, provided preheat to a minimum temperature of 200°F (95°C) is applied when the thickness of the pressure part exceeds  $\frac{3}{4}$  in. (19 mm)
  - (8) for tube-to-tubesheet welded attachment of P-No. 1, Group Nos. 1 and 2 material in firetube boilers in accordance with Fig. PFT-12.1 sketches (f) and (g), if the depth of the weld groove or preparation does not exceed  $\frac{3}{8}$  in. (10 mm), provided a minimum preheat of 200°F (95°C) is applied when the tubesheet thickness exceeds  $\frac{3}{4}$  in. (19 mm)
  - (9) for fillet welds attaching connections to a vessel, provided that all of the following conditions are met:
    - (a) the diameter of the finished opening (diameter *d* in Figs. PG-33.1, PG-33.2, and PW-15) does not exceed that allowed in PG-32.1.2 or 2 in. (50 mm), whichever is less
    - (b) the throat thickness does not exceed  $\frac{3}{8}$  in. (10 mm)
    - (c) preheat to a minimum temperature of 200°F (95°C) is applied when the thickness of either part exceeds  $\frac{3}{4}$  in. (19 mm)
    - (d) the connections are not placed in the vessel such as to form ligaments, the efficiency of which would affect the vessel thickness
  - (10) for combination groove and fillet welds attaching nonpressure parts to pressure parts, with a weld thickness of  $\frac{1}{2}$  in. (13 mm) or less, provided preheat to a minimum of 200°F (95°C) is applied when the thickness of the pressure part exceeds  $\frac{3}{4}$  in. (19 mm)
  - (11) for corrosion-resistant weld metal overlay cladding of pipe or tube materials, provided that all of the following conditions are met:
    - (a) the thickness of the overlay cladding is  $\frac{1}{4}$  in. (6 mm) or less
    - (b) preheat to a minimum temperature of 200°F (95°C) is applied when the thickness of the pressure part exceeds  $\frac{3}{4}$  in. (19 mm)
    - (c) the pipe or tube material
      - (1) does not exceed NPS 5 (DN 125) outside diameter
      - (2) is not used as a drum or shell
  - (12) for combination groove and fillet welds attaching connections to a vessel as depicted in Fig. PW-16.1(z), provided all of the following conditions are met:
    - (a) both the tube and vessel are P-No. 1, Group No. 1 or 2 material
    - (b) the diameter of the finished opening does not exceed that allowed in PG-32.1.2 or 2 in. (50 mm), whichever is less
    - (c) the nominal thickness of the weld does not exceed  $\frac{3}{8}$  in. (10 mm)
    - (d) the connections are not placed in the vessel such as to form ligaments, the efficiency of which would affect the vessel thickness
    - (e) a minimum preheat of 200°F (95°C) is applied when the thickness of either part exceeds  $\frac{3}{4}$  in. (19 mm)
  - (13) for butt welds and corner joints in fireboxes and waterlegs meeting the requirements of PFT-21, with or without the addition of fillet welds, when the nominal thickness does not exceed  $\frac{3}{4}$  in. (19 mm)
  - (14) for welds attaching nonload-carrying studs not exceeding  $\frac{1}{2}$  in. (13 mm) in diameter when using an automatic arc stud welding or automatic resistance stud welding process
  - (15) for attaching bare wire thermocouples by capacitor discharge welding or electric resistance welding, provided the following requirements are met:
    - (a) the requirements of PW-39.8
    - (b) the minimum wall thickness shall be 0.200 in. (5.0 mm) or greater
- (b) When it is impractical to postweld heat treat at the temperature specified in this Table, it is permissible to carry out the postweld heat treatment at lower temperatures for longer periods of time in accordance with Table PW-39.1.
- (c) For all P-No. 1 Group No. 1 materials, and for P-No. 1 Group No. 2 materials having a maximum actual carbon content of 0.30%, the postweld heat treatment requirement of PWT 11.2 for tubes welded to tubular manifolds or headers is not mandatory when all of the following conditions are met:
- (1) the tubes do not exceed 2 in. (50 mm) O.D.
  - (2) the header does not exceed NPS 8 (DN 200)
  - (3) the header thickness does not exceed  $\frac{1}{2}$  in. (13 mm)
  - (4) a minimum preheat of 200°F (95°C) is applied

(10)

**TABLE PW-39**  
**MANDATORY REQUIREMENTS FOR POSTWELD HEAT TREATMENT**  
**OF PRESSURE PARTS AND ATTACHMENTS (CONT'D)**

Material	Minimum Holding Temperature, °F (°C)	Minimum Holding Time at Normal Temperature for Weld Thickness (Nominal)		
		Up to 2 in. (50 mm)	Over 2 in. (50 mm) to 5 in. (125 mm)	Over 5 in. (125 mm)
P-No. 3 Group No. 1,2,3	1,100 (595)	1 hr/in. (1 hr/25 mm), 15 min minimum	2 hr plus 15 min for each additional inch (25 mm) over 2 in. (50 mm)	2 hr plus 15 min for each additional inch (25 mm) over 2 in. (50 mm)

## GENERAL NOTES:

- (a) Except for P-No. 3 Group No. 3, postweld heat treatment of P-No. 3 materials is not mandatory under the following conditions (postweld heat treatment is mandatory for P-No. 3 Group No. 3 materials for all thicknesses):
- (1) for circumferential butt welds in pressure parts with both a nominal wall thickness of  $\frac{5}{8}$  in. (16 mm) or less, and a specified maximum carbon content (SA material specification carbon content, except when further limited by the Purchaser to a value within the specification limits) of not more than 0.25%
  - (2) for fillet welds used on socket welding fittings conforming to the rules of PW-41, when the following conditions are met:
    - (a) a fillet weld throat thickness of  $\frac{1}{2}$  in. (13 mm) or less, regardless of base metal thickness
    - (b) a maximum specified carbon content (SA material specification carbon content, except when further limited by the Purchaser to a value within the specification limits) of not more than 0.25%
    - (c) a minimum preheat of 200°F (95°C) when the thickness of a pressure part at the weld exceeds  $\frac{5}{8}$  in. (16 mm)
  - (3) for fillet welds with a throat thickness of  $\frac{1}{2}$  in. (13 mm) or less and combination groove and fillet welds with a weld thickness of  $\frac{1}{2}$  in. (13 mm) or less attaching nonpressure parts having a specified maximum carbon content (SA material specification carbon content, except when further limited by the Purchaser to a value within the specification limits) of not more than 0.25% provided preheat to a minimum temperature of 200°F (95°C) is applied when the pressure part exceeds  $\frac{5}{8}$  in. (16 mm)
  - (4) for welds used to attach extended heat-absorbing surface to tubes and insulation attachment pins to pressure parts
  - (5) for tubes or pressure retaining handhole and inspection plugs or fittings that are secured by physical means (rolling, shoulder construction, machine threads, etc.) and seal welded, provided the seal weld has a throat thickness of  $\frac{3}{8}$  in. (10 mm) or less, and preheat to a minimum temperature of 200°F (95°C) is applied when the thickness of either part exceeds  $\frac{5}{8}$  in. (16 mm)
  - (6) postweld heat treatment is not mandatory for studs welded to pressure parts for purposes not included in (4) above and which have a specified maximum carbon content of not more than 0.25% (SA material specification carbon content, except when further limited by Purchaser to a value within the specification limits), provided a preheat to a minimum temperature of 200°F (95°C) is applied when the thickness of the pressure part exceeds  $\frac{5}{8}$  in. (16 mm)
  - (7) for fillet welds attaching connections to a vessel, provided that all of the following conditions are met:
    - (a) the diameter of the finished opening (diameter  $d$  in Figs. PG-33.1, PG-33.2, and PW-15) does not exceed that allowed in PG-32.1.2 or 2 in. (50 mm), whichever is less
    - (b) the throat thickness does not exceed  $\frac{3}{8}$  in. (10 mm)
    - (c) preheat to a minimum temperature of 200°F (95°C) is applied when the thickness of either part exceeds  $\frac{5}{8}$  in. (16 mm)
    - (d) the connections are not placed in the vessel such as to form ligaments, the efficiency of which would affect the vessel thickness
    - (e) a maximum specified carbon content (SA material specification carbon content, except when further limited by the Purchaser to a value within the specification limits) of not more than 0.25%
  - (8) for corrosion-resistant weld metal overlay cladding of pipe or tube materials, provided that all of the following conditions are met:
    - (a) the thickness of the overlay cladding is  $\frac{1}{4}$  in. (6 mm) or less
    - (b) preheat to a minimum temperature of 200°F (95°C) is applied when the thickness of the pressure part exceeds  $\frac{5}{8}$  in. (16 mm)
    - (c) the pipe or tube material
      - (1) does not exceed NPS 5 (DN 125) outside diameter
      - (2) is not used as a drum or shell
  - (9) for welds attaching nonload-carrying studs not exceeding  $\frac{1}{2}$  in. (13 mm) in diameter when using an automatic arc stud welding or automatic resistance stud welding process
  - (10) for attaching bare wire thermocouples by capacitor discharge welding or electric resistance welding, provided the following requirements are met:
    - (a) the requirements of PW-39.8
    - (b) the minimum wall thickness shall be 0.200 (5.0 mm) or greater
- (b) When it is impractical to postweld heat treat at the temperature specified in this table, it is permissible to carry out the postweld heat treatment at lower temperatures for longer periods of time in accordance with Table PW-39.1.
- (c) General Note (a) does not apply to welds using the inertia and continuous drive friction welding processes. Postweld heat treatment is mandatory for all thicknesses of materials welded using inertia and continuous drive friction welding.

TABLE PW-39  
MANDATORY REQUIREMENTS FOR POSTWELD HEAT TREATMENT  
OF PRESSURE PARTS AND ATTACHMENTS (CONT'D)

Material	Minimum Holding Temperature, °F (°C)	Minimum Holding Time at Normal Temperature for Weld Thickness (Nominal)		
		Up to 2 in. (50 mm)	Over 2 in. (50 mm) to 5 in. (125 mm)	Over 5 in. (125 mm)
P-No. 4 Group No. 1,2	1,200 (650)	1 hr/in. (1 hr/25 mm), 15 min minimum	1 hr/in. (1 hr/25 mm)	5 hr plus 15 min for each additional inch (25 mm) over 5 in. (125 mm)

## GENERAL NOTES:

- (a) Postweld heat treatment is not mandatory for P-No. 4 materials under the following conditions:
- (1) for circumferential butt welds in pressure parts with all the following conditions:
    - (a) a nominal base metal thickness of  $\frac{5}{8}$  in. (16 mm) or less at the weld
    - (b) a maximum specified carbon content (SA material specification carbon content, except when further limited by the Purchaser to a value within the specification limits) of not more than 0.15%
    - (c) a minimum preheat of 250°F (120°C). This minimum preheat is not required for SA-213 Grade T11 tube materials with a maximum outside diameter of 1.5 in. (38 mm) and a maximum thickness of 0.165 in. (4.2 mm) when butt welded using a multipass GTAW process
  - (2) for fillet welds used on socket welding fittings conforming to the rules of PW-41, when the following conditions are met:
    - (a) a fillet weld throat thickness of  $\frac{1}{2}$  in. (13 mm) or less, regardless of base metal thickness
    - (b) a maximum specified carbon content (SA material specification carbon content, except when further limited by the Purchaser to a value within the specification limits) of not more than 0.15%
    - (c) a minimum preheat of 250°F (120°C)
  - (3) for pipe and tube materials meeting the requirements of (1)(a) and (1)(b) above and having fillet welds attaching nonpressure parts to them, provided the fillet weld has a throat thickness of  $\frac{1}{2}$  in. (13 mm) or less and the material is preheated to 250°F (120°C) minimum; or combination groove and fillet welds attaching nonpressure parts to pressure parts, with a weld thickness of  $\frac{1}{2}$  in. (13 mm) or less, provided the material is preheated to a minimum of 250°F (120°C); or heat-absorbing surfaces and non-load-carrying studs attached to them, provided the material is preheated to 250°F (120°C) minimum. A lower preheating temperature may be used, provided specifically controlled procedures necessary to produce sound joints are used. Such procedures shall include but shall not be limited to the following:
    - (a) the throat thickness of fillet welds shall be  $\frac{1}{2}$  in. (13 mm) or less
    - (b) the maximum continuous length of fillet welds shall be not over 4 in. (100 mm)
    - (c) electrodes or filler metal shall be dry and shall provide a low-hydrogen weld deposit. Chromium-molybdenum filler metals shall have a maximum specified chromium content of not more than 2.50% and a maximum specified carbon content of not more than 0.05%
    - (d) the thickness of the test plate used in making the welding procedure qualification of Section IX shall not be less than that of the material to be welded
  - (4) for tubes or pressure retaining handhole and inspection plugs or fittings that are secured by physical means (rolling, shoulder construction, machine threads, etc.) and seal welded, provided the seal weld has a throat thickness of  $\frac{3}{8}$  in. (10 mm) or less, and preheat to a minimum temperature of 250°F (120°C) is applied when the thickness of either part exceeds  $\frac{5}{8}$  in. (16 mm)
  - (5) for corrosion-resistant weld metal overlay cladding of pipe or tube materials, provided that all of the following conditions are met:
    - (a) the thickness of the overlay cladding is  $\frac{1}{4}$  in. (6 mm) or less
    - (b) preheat to a minimum temperature of 250°F (120°C) is applied when the thickness of the pressure part exceeds  $\frac{1}{2}$  in. (13 mm)
    - (c) the pipe or tube material
      - (1) does not exceed NPS 5 (DN 125) outside diameter
      - (2) is not used as a drum or shell
  - (6) for electric resistance welds used to attach extended heat-absorbing fins to pipe and tube materials, provided the following requirements are met:
    - (a) a maximum pipe or tube size of NPS 4 (DN 100)
    - (b) a maximum specified carbon content (SA material specification carbon content, except when further limited by the Purchaser to a value within specification limits) of not more than 0.15%.
    - (c) a maximum fin thickness of  $\frac{1}{8}$  in. (3 mm)
    - (d) prior to using the welding procedure, the Manufacturer shall demonstrate that the heat-affected zone does not encroach upon the minimum wall thickness
  - (7) for welds attaching nonload-carrying studs or insulation attachment pins not exceeding  $\frac{1}{2}$  in. (13 mm) in diameter when using an automatic arc stud welding or automatic resistance stud welding process
  - (8) postweld heat treatment is not mandatory for attaching bare wire thermocouples by capacitor discharge welding or electric resistance welding, provided the following requirements are met:
    - (a) The requirements of PW-39.8.
    - (b) The maximum carbon content of the base material is restricted to 0.15%.
    - (c) The minimum wall thickness shall be 0.20 in. (5.0 mm) or greater.
- (b) General Note (a) does not apply to welds using the inertia and continuous drive friction welding processes. Postweld heat treatment is mandatory for all thicknesses of materials welded using inertia and continuous drive friction welding.

(10)

**TABLE PW-39**  
**MANDATORY REQUIREMENTS FOR POSTWELD HEAT TREATMENT**  
**OF PRESSURE PARTS AND ATTACHMENTS (CONT'D)**

Material	Minimum Holding Temperature, °F (°C)	Minimum Holding Time at Normal Temperature for Weld Thickness (Nominal)		
		Up to 2 in. (50 mm)	Over 2 in. (50 mm) to 5 in. (125 mm)	Over 5 in. (125 mm)
P-No. 5A Group No. 1 and P-No. 5B Group No. 1	1,250 (675)	1 hr/in. (1 hr/25 mm), 15 min minimum	1 hr/in. (1 hr/25 mm)	5 hr plus 15 min for each additional inch (25 mm) over 5 in. (125 mm)

## GENERAL NOTES:

- (a) Postweld heat treatment is not mandatory under the following conditions:
- (1) for circumferential butt welds in pressure parts with all of the following conditions:
    - (a) a maximum specified chromium content of 3.0%
    - (b) a nominal base metal thickness of  $\frac{5}{8}$  in. (16 mm) or less at the weld
    - (c) a maximum specified carbon content (SA material specification carbon content, except when further limited by the Purchaser to a value within the specification limits) of not more than 0.15%
    - (d) a minimum preheat of 300°F (150°C)
  - (2) for fillet welds used on socket welding fittings conforming to the rules of PW-41, when the following conditions are met:
    - (a) a maximum specified chromium content of 3.0%
    - (b) a fillet weld throat thickness of  $\frac{1}{2}$  in. (13 mm) or less, regardless of base metal thickness
    - (c) a maximum specified carbon content (SA material specification carbon content, except when further limited by the Purchaser to a value within the specification limits) of not more than 0.15%
    - (d) a minimum preheat of 300°F (150°C)
  - (3) for pipe and tube materials meeting the requirements of (1)(a) through (1)(c) above having fillet welds attaching nonpressure parts to them, provided the fillet weld has a throat thickness of  $\frac{1}{2}$  in. (13 mm) or less and the material is preheated to 300°F (150°C) minimum; or combination groove and fillet welds attaching nonpressure parts to pressure parts, with a weld thickness of  $\frac{1}{2}$  in. (13 mm) or less, and the material is preheated to a minimum of 300°F (150°C); or heat-absorbing surfaces and non-load-carrying studs attached to them, provided the material is preheated to 300°F (150°C) minimum. A lower preheating temperature may be used, provided specifically controlled procedures necessary to produce sound joints are used. Such procedures shall include but shall not be limited to the following:
    - (a) the maximum throat thickness of fillet welds shall be  $\frac{1}{2}$  in. (13 mm)
    - (b) the maximum continuous length of fillet welds shall be not over 4 in. (100 mm)
    - (c) electrodes or filler metal shall be dry and shall provide a low-hydrogen weld deposit. Chromium-molybdenum filler metals shall have a maximum specified chromium content of not more than 2.50% and a maximum specified carbon content of not more than 0.05%
    - (d) the thickness of the test plate used in making the welding procedure qualification of Section IX shall not be less than that of the material to be welded
  - (4) for tubes or pressure retaining handhole and inspection plugs or fittings with a specified maximum chromium content of 6% that are secured by physical means (rolling, shoulder construction, machine threads, etc.) and seal welded, provided the seal weld has a throat thickness of  $\frac{3}{8}$  in. (10 mm) or less, and preheat to a minimum temperature of 300°F (150°C) is applied when the thickness of either part exceeds  $\frac{5}{8}$  in. (16 mm)
  - (5) for welds attaching nonload-carrying studs or insulation attachment pins not exceeding  $\frac{1}{2}$  in. (13 mm) in diameter when using an automatic arc stud welding or automatic resistance stud welding process
  - (6) for corrosion-resistant weld metal overlay of P-No. 5A pipe or tube, provided the following conditions are met:
    - (a) a minimum preheat of 300°F (150°C) is applied when the thickness exceeds  $\frac{1}{2}$  in. (13 mm)
    - (b) overlay is applied using GTAW or GMAW with a 360 deg spiral deposition technique
    - (c) overlay cladding thickness does not exceed  $\frac{1}{8}$  in. (3 mm)
    - (d) the tube or pipe material does not exceed NPS 5 (DN 125) and is not used as a drum or shell
- (b) Postweld heat treatment is not mandatory for electric resistance welds used to attach extended heat-absorbing fins to pipe and tube materials, provided the following requirements are met:
- (1) a maximum pipe or tube size of NPS 4 (DN 100)
  - (2) a maximum specified carbon content (SA material specification carbon content, except when further limited by the Purchaser to a value within the specification limits) of not more than 0.15%
  - (3) a maximum fin thickness of  $\frac{1}{8}$  in. (3 mm)
  - (4) prior to using the welding procedure, the Manufacturer shall demonstrate that the heat-affected zone does not encroach upon the minimum wall thickness
- (c) General Note (a) does not apply to welds using the inertia and continuous drive friction welding processes. Postweld heat treatment is mandatory for all thicknesses of materials welded using inertia and continuous drive friction welding.
- (d) Postweld heat treatment is not mandatory for attaching bare wire thermocouples by capacitor discharge welding or electric resistance welding provided the following requirements are met:
- (1) The requirements of PW-39.8.
  - (2) The maximum carbon content of the base material is restricted to 0.15%.
  - (3) The minimum wall thickness shall be 0.20 in. (5.0 mm).

TABLE PW-39  
MANDATORY REQUIREMENTS FOR POSTWELD HEAT TREATMENT  
OF PRESSURE PARTS AND ATTACHMENTS (CONT'D)

Material	Minimum Holding Temperature, °F (°C) [Notes (1) and (2)]	Maximum Holding Temperature, °F (°C) [Notes (3) and (4)]	Minimum Holding Time at Normal Temperature for Weld Thickness (Nominal)	
			Up to 5 in. (125 mm)	Over 5 in. (125 mm)
P-No. 15E Group No. 1	1,350 (730)	1,425 (775)	1 hr/in. (1 hr/25 mm), 30 min minimum	5 hr plus 15 min for each additional inch (25 mm) over 5 in. (125 mm)

## GENERAL NOTES:

- (a) Postweld heat treatment is not mandatory for electric resistance welds used to attach extended heat-absorbing fins to pipe and tube materials, provided the following requirements are met:
- (1) a maximum pipe or tube size of NPS 4 (DN 100)
  - (2) a maximum specified carbon content (SA material specification carbon content, except when further limited by the Purchaser to a value within the specification limits) of not more than 0.15%
  - (3) a maximum fin thickness of  $\frac{1}{8}$  in. (3 mm)
  - (4) prior to using the welding procedure, the Manufacturer shall demonstrate that the heat-affected zone does not encroach upon the minimum wall thickness
- (b) Postweld heat treatment is not mandatory for attaching bare wire thermocouples by capacitor discharge welding or electric resistance welding, provided the following requirements are met:
- (1) The requirements of PW-39.8.
  - (2) The maximum carbon content of the base material is restricted to 0.15%.
  - (3) The minimum wall thickness shall be 0.20 in. (5.0 mm).

## NOTES:

- (1) If the nominal weld thickness is  $\leq 0.5$  in. (13 mm), the minimum holding temperature is 1,325°F (720°C).
- (2) For dissimilar metal welds (i.e., welds made between a P-No. 15E Group 1 and another lower chromium ferritic, austenitic, or nickel-based steel), if filler metal chromium content is less than 3.0% or if the filler metal is nickel-based or austenitic, the minimum holding temperature shall be 1,300°F (705°C).
- (3) The maximum holding temperature above is to be used if the actual chemical composition of the matching filler metal used when making the weld is unknown. If the chemical composition of the matching filler metal is known, the maximum holding temperature can be increased as follows:
  - (a) If Ni + Mn < 1.50% but  $\geq 1.0\%$ , the maximum PWHT temperature is 1,450°F (790°C).
  - (b) If Ni + Mn < 1.0%, the maximum PWHT temperature is 1,470°F (800°C).

*Explanatory Note to (3) Above:* The lower transformation temperature for matching filler material is affected by alloy content, primarily the total of Ni + Mn. The maximum holding temperature has been set to avoid heat treatment in the intercritical zone.

- (4) If a portion of the component is heated above the heat treatment temperature allowed above, one of the following actions shall be performed:
  - (a) The component in its entirety must be renormalized and tempered.
  - (b) If the maximum holding temperature in the table or Note (3)(a) above is exceeded, but does not exceed 1,470°F (800°C), the weld metal shall be removed and replaced.
  - (c) The portion of the component heated above 1,470°F (800°C) and at least 3 in. (75 mm) on either side of the overheated zone must be removed and be renormalized and tempered or replaced.
  - (d) The allowable stress shall be that for Grade 9 material (i.e., SA-213-T9, SA-335-P9, or equivalent product specification) at the design temperature, provided that the portion of the component that was heated to a temperature exceeding the maximum holding temperature is subjected to a final heat treatment within the temperature range and for the time required above. In order to apply the provisions of this paragraph, the Manufacturer must have qualified a WPS with representative test specimens that accurately simulate the thermal history of the production part. Specifically, the qualification specimens first must be heat treated at a similar temperature for a similar time that violated the maximum holding temperature limit and then must receive a final heat treatment for the required time within the temperature range specified by this table.

(10)

TABLE PW-39  
MANDATORY REQUIREMENTS FOR POSTWELD HEAT TREATMENT  
OF PRESSURE PARTS AND ATTACHMENTS (CONT'D)

Material	Minimum Holding Temperature, °F (°C)	Minimum Holding Time at Normal Temperature for Weld Thickness (Nominal)		
		Up to 2 in. (50 mm)	Over 2 in. (50 mm) to 5 in. (125 mm)	Over 5 in. (125 mm)
P-No. 6 Group No. 1,2,3	1,400 (760)	1 hr/in. (1 hr/25 mm), 15 min minimum	1 hr/in. (1 hr/25 mm)	5 hr plus 15 min for each additional inch (25 mm) over 5 in. (125 mm)

GENERAL NOTES:

- (a) Postweld heat treatment is not mandatory for P-No. 6 materials under the following conditions:
  - (1) for Type 410 material where the material and construction shall comply with the following conditions:
    - (a) a maximum specified carbon content (SA material specification carbon content, except when further limited by the Purchaser to a value within the specification limits) of not more than 0.08%
    - (b) the electrodes used shall produce an austenitic chromium-nickel weld deposit, or a non-air-hardening nickel-chromium-iron weld deposit, and provided the following additional requirements are met:
      - (1) the material thickness at the welded joint does not exceed  $\frac{3}{8}$  in. (10 mm)
      - (2) or material thickness over  $\frac{3}{8}$  in. (10 mm) through  $1\frac{1}{2}$  in. (38 mm), the following additional conditions shall be required:
        - (a) a preheat of 450°F (230°C) shall be maintained during welding
        - (b) the welded joints shall be fully volumetrically examined
  - (2) for electric resistance welds used to attach extended heat-absorbing fins to pipe and tube materials, provided the following requirements are met:
    - (a) a maximum pipe or tube size of NPS 4 (DN 100)
    - (b) a maximum specified carbon content (SA material specification carbon content, except when further limited by the Purchaser to a value within specification limits) of not more than 0.15%
    - (c) a maximum fin thickness of  $\frac{1}{8}$  in. (3 mm)
    - (d) prior to using the welding procedure, the Manufacturer shall demonstrate that the heat-affected zone does not encroach upon the minimum wall thickness
- (b) General Note (a) does not apply to welds using the inertia and continuous drive friction welding processes. Postweld heat treatment is mandatory for all thicknesses of materials welded using inertia and continuous drive friction welding.

TABLE PW-39  
MANDATORY REQUIREMENTS FOR POSTWELD HEAT TREATMENT  
OF PRESSURE PARTS AND ATTACHMENTS (CONT'D)

Material	Minimum Holding Temperature, °F (°C)	Minimum Holding Time at Normal Temperature for Weld Thickness (Nominal)		
		Up to 2 in. (50 mm)	Over 2 in. (50 mm) to 5 in. (125 mm)	Over 5 in. (125 mm)
P-No. 7 Group No. 1,2	1,350 (730)	1 hr/in. (1 hr/25 mm), 15 min minimum	1 hr/in. (1 hr/25 mm)	5 hr plus 15 min for each additional inch (25 mm) over 5 in. (125 mm)

## GENERAL NOTES:

- (a) Postweld heat treatment for P-No. 7 material shall be performed as described in PW-39.3, except that the cooling rate shall be a maximum of 100°F/hr (55°C/hr) in the range above 1,200°F (650°C) after which the cooling rate shall be sufficiently rapid to prevent embrittlement.
- (b) Postweld heat treatment is not mandatory for P-No. 7 materials under the following conditions:
- (1) for Type 405 material where the material and construction shall comply with the following conditions:
    - (a) a maximum specified carbon content (SA material specification carbon content, except when further limited by the Purchaser to a value within the specification) of not more than 0.08%
    - (b) the electrodes used shall produce an austenitic chromium-nickel weld deposit, or a non-air-hardening nickel-chromium-iron weld deposit, and provided the following additional requirements are met:
      - (1) the material thickness at the welded joint does not exceed  $\frac{3}{8}$  in. (10 mm)
      - (2) for material thickness over  $\frac{3}{8}$  in. (10 mm) through  $1\frac{1}{2}$  in. (38 mm), the following additional requirements are met:
        - (a) a preheat of 450°F (230°C) shall be maintained during welding
        - (b) the welded joints shall be fully volumetrically examined
  - (2) for electric resistance welds used to attach extended heat-absorbing fins to pipe and tube materials, provided the following requirements are met:
    - (a) a maximum pipe or tube size of NPS 4 (DN 100)
    - (b) a maximum specified carbon content (SA material specification carbon content, except when further limited by the Purchaser to a value within the specification limits) of not more than 0.15%
    - (c) a maximum fin thickness of  $\frac{1}{8}$  in. (3 mm)
    - (d) prior to using the welding procedure, the Manufacturer shall demonstrate that the heat-affected zone does not encroach upon the minimum wall thickness

Material	Minimum Holding Temperature, °F (°C)	Minimum Holding Time at Normal Temperature for Weld Thickness (Nominal)		
		Up to 2 in. (50 mm)	Over 2 in. (50 mm) to 5 in. (125 mm)	Over 5 in. (125 mm)
P-No. 8	None	None	None	None

GENERAL NOTE: Postweld heat treatment is neither required nor prohibited for joints between austenitic stainless steels of the P-No. 8 group.

2010 SECTION I

TABLE PW-39  
MANDATORY REQUIREMENTS FOR POSTWELD HEAT TREATMENT  
OF PRESSURE PARTS AND ATTACHMENTS (CONT'D)

Material	Minimum Normal Holding Temperature, °F (°C)	Minimum Holding Time at Normal Temperature for Weld Thickness		
		Up to 2 in. (50 mm)	Over 2 in. (50 mm) to 5 in. (125 mm)	Over 5 in. (125 mm)
P-No. 10H Group No. 1	None	None	None	None

GENERAL NOTE: For the austenitic-ferritic wrought duplex stainless steels listed below, postweld heat treatment is neither required nor prohibited, but any heat treatment applied shall be performed as listed below and followed by liquid quenching or rapid cooling by other means.

Alloy	Postweld Heat Treatment, Temperature, °F (°C)	
S31803	1870–2010	(1020–1100)

Material	Minimum Holding Temperature, °F (°C)	Minimum Holding Time at Normal Temperature for Weld Thickness (Nominal)		
		Up to 2 in. (50 mm)	Over 2 in. (50 mm) to 5 in. (125 mm)	Over 5 in. (125 mm)
P-No. 10I Group No. 1	1,250 (675)	1 hr/in. (1 hr/25 mm), 15 min minimum	1 hr/in. (1 hr/25 mm)	1 hr/in. (1 hr/25 mm)

GENERAL NOTE: Postweld heat treatment for P-No. 10I (SA-268 TP446 material only) shall be performed as described in PW-39.3, except that the cooling rate shall be a maximum of 100°F/hr (55°C/hr) above 1,200°F (650°C) after which the cooling rate shall be sufficiently rapid to prevent embrittlement.



TABLE PW-39  
MANDATORY REQUIREMENTS FOR POSTWELD HEAT TREATMENT  
OF PRESSURE PARTS AND ATTACHMENTS (CONT'D)

Material	Minimum Holding Temperature, °F (°C)	Minimum Holding Time at Normal Temperature for Weld Thickness (Nominal)		
		Up to 2 in. (50 mm)	Over 2 in. (50 mm) to 5 in. (125 mm)	Over 5 in. (125 mm)
P-No. 31	None	None	None	None

GENERAL NOTE: Postweld heat treatment is neither required nor prohibited for joints between materials of the P-No. 31 group.

Material	Minimum Holding Temperature, °F (°C)	Minimum Holding Time at Normal Temperature for Weld Thickness (Nominal)		
		Up to 2 in. (50 mm)	Over 2 in. (50 mm) to 5 in. (125 mm)	Over 5 in. (125 mm)
P-No. 45	None	None	None	None

GENERAL NOTE: Postweld heat treatment is neither required nor prohibited for joints between materials of the P-No. 45 group.

Material	Minimum Holding Temperature, °F (°C)	Minimum Holding Time at Normal Temperature for Weld Thickness (Nominal)		
		Up to 2 in. (50 mm)	Over 2 in. (50 mm) to 5 in. (125 mm)	Over 5 in. (125 mm)
P-No. 51	None	None	None	None

GENERAL NOTE: Postweld heat treatment is neither required nor prohibited for joints between materials of the P-No. 51 group.

**PW-39.5.1.2** By heating a circumferential band around the entire vessel with the welded connection located at the middle of the band. Provided the required soak band around the nozzle or attachment weld, as defined in PW-39.3, is heated to the required temperature and held for the required time, as specified in Table PW-39, the remainder of the circumferentially-heated band need not reach the required post weld heat treatment temperature. The temperature within the heated band shall be controlled to prevent harmful gradients.

**PW-39.5.2** Local areas around nozzles or welded attachments in the larger radius sections of double curvature heads, or spherical shells or heads, may be post weld heat treated by heating a circular region around the nozzle. This region, or soak band, shall include the nozzle or welded attachment and shall be measured from the center of the nozzle or attachment. The soak band shall be a circle whose radius is equal to the radius at the widest width of the width of the weld attaching the nozzle or attachment to the shell, plus the thickness of the shell or head, or 2 in. (50 mm), whichever is less. The portion of the vessel outside of the circular region shall be thermally shielded using blankets, brick, or other suitable insulation material so that the temperature gradient is not harmful. A greater

amount of base material may also be heated to permit temperature gradient control.

**PW-39.5.3** Nozzles that contain circumferential welds in close proximity to a vessel or shell have additional thermal restraint imposed by this close proximity. Adequate length between the weld on the nozzle and the shell shall be provided so that the post weld heat treatment does not introduce harmful stresses at the nozzle attachment weld. Alternatively, the weld may be post weld heat treated by heating a full circumferential band around the entire vessel or shell, which shall include the nozzle in the center of the band.

**PW-39.6** In the case of local postweld heat treatment of welded joints in pipes, tubes, and headers, the soak band shall extend around the entire pipe tube or header.

**PW-39.7** Electroslag welds in ferritic materials over 1½ in. (38 mm) in thickness at the joint shall be given a grain refining (austenitizing) heat treatment.

**PW-39.8** Capacitor discharge or electric resistance welding may be used for attaching bare wire thermocouples, without subsequent postweld heat treatment, provided the energy output for welding is limited to a maximum (10)

(10)

TABLE PW-39.1  
ALTERNATE POSTWELD HEAT TREATMENT  
REQUIREMENTS FOR CARBON AND  
LOW ALLOY STEELS  
(Applicable only when permitted in Table PW-39)

Decrease in Temperature Below Minimum Specified Temperature, °F (°C)	Minimum Holding Time [Note (1)] at Decreased Temperature, hr	Notes
50 (28)	2	...
100 (56)	4	...
150 (83)	10	(2)
200 (111)	20	(2)

## NOTES:

- (1) Minimum holding time per inch (25 mm) for thickness up to and including 2 in. (50 mm). Add 15 min per inch (25 mm) of thickness for thickness greater than 2 in. (50 mm).
- (2) These lower postweld heat treatment temperatures permitted only for P-No. 1, Group 1 and 2 materials.

125 W-sec, and any requirements specified in the applicable notes as found in Table PW-39 shall apply. A welding procedure specification shall be prepared, and the content shall describe as a minimum the capacitor discharge equipment, the combination of materials to be joined, and the technique of application. Qualification of the welding procedure is not required.

**PW-40 REPAIR OF DEFECTS**

**PW-40.1** Weld imperfections, such as cracks, pinholes, and incomplete fusion, detected visually or by leakage tests or by the examinations described in PW-11 and found to be rejectable, shall be removed by mechanical means or by thermal grooving processes, after which the joint shall be rewelded and reexamined.

**PW-40.2** When tube-to-header or tube-to-drum welded joints have already received the postweld heat treatment required by PWT-11 and PW-39, minor local additional welding for rework of the joint or to improve the fillet weld contour may be performed on the materials listed in PW-40.2(b) without repeating the postweld heat treatment, subject to all the following limitations:

(a) The depth of any rework welding below the surface shall not exceed the smaller of 10% of the thickness of the drum or header, or 50% of the wall thickness of the tube.

(b) The area to be rework welded shall be preheated to at least the minimum temperatures as indicated below for the material

Material Welding P-Number Group	Minimum Preheat, °F (°C), for Rework Welding
P-No. 3, Groups 1 and 2	200 (95)
P-No. 4	250 (120)
P-No. 5A	300 (150)

(c) The tubes shall not exceed 4 in. (100 mm) O.D., except for P-No. 1 material, which shall not exceed  $6\frac{5}{8}$  in. (170 mm) O.D.

(d) The welding procedure used for the rework welding shall have been qualified to the requirements of Section IX for the thickness of rework welding to be performed and for the omission of postweld heat treatment.

**PW-40.3** Defects in P-No. 3 Group Nos. 1 and 2 materials, and in the welds joining these materials, may be weld repaired after the final PWHT but prior to the final hydrostatic test. The welded repairs shall meet the requirements below.

**PW-40.3.1 Defect Removal for Base Materials.** The defect shall be removed or reduced to an acceptable size. Before repair welding, the groove shall be examined to verify that the defect has been reduced to an acceptable size, using either the magnetic particle or the liquid penetrant examination methods. When the material is nonmagnetic, only the liquid penetrant method shall be used. Methods for magnetic particle examination and liquid penetrant examination shall be in accordance with A-260 and A-270, respectively; however, the acceptance standards for the examination shall be in accordance with the requirements of the original base material specification.

**PW-40.3.2 Defect Removal for Welds and Welded Repairs.** The defect shall be removed, and the groove examined to verify defect removal, using either the magnetic particle or the liquid penetrant examination methods. When the material is nonmagnetic, only the liquid penetrant method shall be used. Methods and acceptance standards for magnetic particle examination and liquid penetrant examination shall be in accordance with A-260 or A-270, respectively.

**PW-40.3.3** The total repair depth shall not exceed 10% of the base material thickness. The total depth of a weld repair shall be taken as the sum of the depths for repairs made from both sides of a weld at a given location. The total area of such repairs shall not exceed 100 in.<sup>2</sup> (0.065 m<sup>2</sup>).

**PW-40.3.4** In addition to the requirements of Section IX for qualification of welding procedure specifications for groove welds, the following requirements shall apply:

(a) The weld procedure qualification shall have been made using material of the same P-No. and Group No. as the material to be repaired. The specific welding technique or combination of welding techniques used shall have been developed and tested to assure adequate tempering of the underlying weld bead heat-affected zones.

(b) The weld metal shall be deposited by the manual shielded metal-arc process. Only low hydrogen welding electrodes shall be used. The electrodes shall be properly conditioned in accordance with Section II, Part C, SFA-5.5, Appendix A6.12.

(c) The maximum heat input for each weld layer shall not exceed that used in the procedure qualification test.

(d) The maximum deposited weld bead width for any electrode shall be four times the electrode core diameter.

(e) The repair area, including a band equal in width to 4 in. (100 mm) or four times the thickness of the weld repair, whichever is greater, on either side of the groove, shall be preheated and maintained at a minimum temperature of 350°F (175°C) during welding. The maximum interpass temperature shall be 450°F (230°C).

(f) The repair weld method shall be limited to the half bead weld repair technique as follows. The initial layer of weld metal shall be deposited over the entire area using  $\frac{1}{8}$  in. (3 mm) maximum diameter electrodes. Approximately one half the thickness of this layer shall then be removed by grinding before depositing subsequent layers. The subsequent weld layers shall be deposited using  $\frac{5}{32}$  in. (4 mm) maximum diameter electrodes, in such a manner as to assure tempering of the prior weld beads and their heat affected zones. A final temper bead weld shall be applied to a level above the surface being repaired without contacting the base material, but close enough to the edge of the underlying weld bead, to assure tempering of the base material heat affected zone.

**PW-40.3.5** For materials greater than 1 in. (25 mm) thick, after completing all welding, the repair area shall be heated to and maintained at a temperature of 450°F to 550°F (230°C to 290°C) for a minimum period of 4 hr.

**PW-40.3.6** Any final temper bead reinforcement shall then be removed substantially flush with the surface of the base material.

**PW-40.3.7** After the finished repair weld has reached ambient temperature, it shall be examined to the requirements of PW-40.3.2, using the same nondestructive examination technique that was used to examine the weld groove.

**PW-40.3.8** The vessel shall be hydrostatically tested in accordance with PW-54.

**PW-40.3.9** The Manufacturer shall obtain the approval of the Authorized Inspector, prior to making the repair.

## **PW-41 CIRCUMFERENTIAL JOINTS IN PIPES, TUBES, AND HEADERS**

The rules in the following paragraphs apply specifically to the boiler proper and parts thereof.

**PW-41.1** Circumferential welded butt joints in pipe, tubes, and headers shall meet the radiographic and ultrasonic examination requirements of Table PW-11.

**PW-41.2** All circumferential arc or gas welded joints of parts covered by this paragraph and welded in accordance

therewith shall have a double-welded butt joint or a single-welded butt joint made the equivalent of a double-welded butt joint, except as otherwise provided in PW-41.4 and PW-41.5.

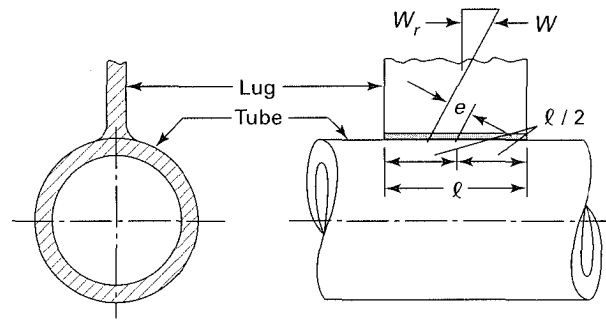
**PW-41.2.1** The strength of the weld shall be sufficient to develop the full strength of the part in the longitudinal direction. There shall be no valley or groove along the edge or in the center of the weld except as permitted by PW-35.1. Weld reinforcement may be removed if so desired. The design of the joint and the method of welding shall be such that there will be no appreciable projection of weld metal past the inside surface.

**PW-41.2.2** In welding single-welded butt joints, complete penetration at the root is required. This shall be demonstrated by the qualification of the procedure to be used. If complete penetration cannot otherwise be secured, the procedure shall include a backing ring or equivalent. The depth of weld measured between the inside surface of the weld preparation and the outside surface of the pipe or tube shall be not less than the minimum thickness permitted by the applicable material specifications for the particular size and thickness of pipe or tubing used. Where backing rings are not used, concavity of the root surface is permitted if the depth of the concavity of the weld metal does not exceed the lesser of  $\frac{3}{32}$  in. (2.5 mm) or 20% of the thinner of the two sections being joined. The contour of the concavity shall be smooth and the resulting thickness of the weld, including reinforcement, shall be at least equal to the required thickness of the thinner section. Concavity depth allowed under the rules of this paragraph shall be reduced by an amount equal to any net section replacement used, as permitted in PW-41.2.3.

**PW-41.2.3** When the wall is recessed for a backing ring or to assure a uniform inside diameter of the weld preparation, the depth of such recess shall be so limited that the remaining net section of the wall is not less than the minimum required thickness. For boiler and superheater tubes where the diameter does not exceed 4 in. (100 mm), the recess may reduce the required thickness by not more than  $\frac{1}{32}$  in. (0.8 mm), provided the reduced net section is replaced by weld metal in the outside reinforcement such that the resulting thickness of the weld, including reinforcement, is at least equal to the minimum required thickness.

**PW-41.2.4** Backing rings may be of any size or shape suitable for the welding process and may be left in place or removed as desired. Materials for backing rings shall be compatible with the weld metal and base material and shall not cause harmful alloying or contamination. If left in place they must be properly secured to prevent dislodgment and shall have a contour on the inside to minimize the restriction to flow, if needed, and be of such inside diameter as to permit the passage of a tube cleaner where such cleaner is to be used.

FIG. PW-43.1 METHOD OF COMPUTATION OF ATTACHMENTS TO TUBES



**PW-41.2.5** When welded joints in tubes or pipes are not postweld heat treated, the procedure qualification test shall be made under the same conditions, but the performance qualification test may be made on either postweld heat treated or nonpostweld heat treated samples.

**PW-41.3** Pipe connections not exceeding NPS  $\frac{1}{2}$  (DN 15) may be welded to pipe or headers under the provisions of this paragraph without the inspection required by this Section.

**PW-41.4** For attachment of nozzles to boiler drums or headers see PW-15.

**PW-41.5** Welded socket type joints or sleeve type joints may be used to connect pipe or tubes to valves or fittings, or to each other, provided the conditions specified in PW-41.5.1 through PW-41.5.6 are met.

**PW-41.5.1** Pipe shall not exceed NPS 3 (DN 80) and tubing shall not exceed  $3\frac{1}{2}$  in. (89 mm) nominal outside diameter (see PG-42, for ASME socket welding components).

**PW-41.5.2** The depth of insertion of a pipe or tube into a socket shall be at least  $\frac{1}{4}$  in. (6 mm). There shall be at least  $\frac{1}{16}$  in. (1.5 mm) clearance between the end of the pipe or tube and the internal shoulder of the socket, before welding.

**PW-41.5.3** The fit between the socket or sleeve and the pipe or tube shall conform to applicable standards for socket weld fittings, and in no case shall the inside diameter of the socket or sleeve exceed the outside diameter of the pipe or tube by more than 0.080 in. (2.03 mm).

**PW-41.5.4** The average outside diameter of the hub or sleeve (collar or end portion of socket welding fittings) shall be sufficient to make the average hub or sleeve thickness not less than 1.09 times the nominal thickness of the pipe or tube.

**PW-41.5.5** The throat dimension of the fillet weld shall be not less than 0.77 times the nominal thickness of the pipe or tube.

**PW-41.5.6** The depth of the insertion of a pipe or tube into a sleeve shall be at least  $\frac{1}{4}$  in. (6 mm). There shall be at least  $\frac{1}{16}$  in. (1.5 mm) clearance between the butting ends of the pipe or tube, before welding.

## PW-42 JOINTS IN VALVES AND OTHER BOILER APPURTENANCES

Valves, other boiler appurtenances such as water columns, and casings of pumps that are part of a boiler circulation system, may have fusion-welded joints other than longitudinal, complying with the requirements of this Part except that inspection of these joints is not required. The Manufacturer shall furnish, if requested, a statement certifying that these requirements have been met.

## PW-43 LOADING ON STRUCTURAL ATTACHMENTS

**PW-43.1** Loads imposed on steel tube walls by welded or mechanical attachments, which produce bending stresses that are additive to bursting stresses, shall conform to PW-43.1.1 and PW-43.1.2.

**PW-43.1.1** The following inequality: (10)

$$L \leq L_a$$

where

$L$  = actual unit load calculated from PW-43.1.2

$L_a$  = maximum allowable unit load, lb/linear in. of attachment from PW-43.2

**PW-43.1.2** The following equation: (10)

$$L = W_r l \pm 6W e l^2$$

where

$e$  = eccentricity of  $W$ , (see Fig. PW-43.1)

$l$  = length of attachment of tube

$W$  = eccentric load applied to lug

$W_r$  = load component normal to tube axis

In determining the allowable loading per inch (25 mm) of length of attachment on a tube bend, the allowable unit

load determined by using the outside diameter of the tube shall be increased by the amount of allowable compression unit load for a tube having an outside diameter equivalent to the outside diameter of the bend and having a wall thickness the same as that of the tube bend (see Fig. A-74). For an alternative method of determining the maximum allowable loading on structural attachments to tubes, see A-73.2 for conducting tests on full-size sections of tubes.

**PW-43.2** Procedure for determining  $L_a$  in the equation in PW-43.1.1.

- Step 1: Determine  $K$  from Table PW-43.1.
- Step 2: Determine load factor,  $L_f$ , for compression or tension loading on lug from Fig. PW-43.2, or from PW-43.2.1 or PW-43.2.2, when the range of the curves in Fig. PW-43.2 does not extend far enough to cover specific cases.

**PW-43.2.1 Compression Loading**

$$L_f = 1.618X^{[-1.020 - 0.014 \log X + 0.005 (\log X)^2]}$$

**PW-43.2.2 Tension Loading**

$$L_f = 49.937X^{[-2.978 + 0.898 \log X - 0.139 (\log X)^2]}$$

- Step 3: Determine  $S_t$ .

**PW-43.2.3 Available Stress**

$$S_t = 2.0 S_a - S$$

- Step 4: Using values obtained in Steps 1 through 3, determine maximum allowable unit load

**PW-43.2.4 Allowable Unit Load**

$$L_a = K(L_f)S_t$$

where

- $D$  = outside diameter of tube
- $K$  = tube attachment width design factor from Table PW-43.1, dimensionless
- $L_f$  = a compression or tension load factor
- $\log$  = logarithm to base 10
- $S$  = pressure stress in tube determined by the equation in PG-27.2.1
- $S_a$  = allowable stress value from Table 1A of Section II, Part D
- $S_t$  = portion of allowable stress available for attachment loading, from PW-43.2.3
- $t$  = tube wall thickness
- $X = D/t^2$ , a parameter used to determine  $L_f$

**PW-44 FABRICATION RULES FOR BIMETALLIC TUBES WHEN THE CLAD STRENGTH IS INCLUDED**

**PW-44.1** The strengths for annealed wrought products are listed in Section II, Part D, Tables 1A and 1B. Values

applicable to either Section I or Section VIII, Div. 1 may be used. The strength of deposited clad metal (welded or laser fused) shall be inferred from an annealed wrought material with nominally equivalent strength and composition as the clad (see PG-27.2.1.5, Note 11). The in-text table below contains wrought alloys and weld wires that may be considered as nominally equivalent for this purpose. For powders used in laser-fused cladding, the deposit chemistry shall nominally conform to that for weld wire for welded cladding. For clad alloys that are not included in the table below, the strength may be established by performing tests in conformance with Appendix 5 of Section II, Part D and submitting the data to ASME for analysis.

Generic Identity Wrought/Weld	Wrought UNS No.	AWS Classification
309 or 309S/309	S30908	ER309
None/309L	None — use S30403	ER309L
None/312	None — use S30403	ER312
33/33	R20033	None — matches wrought chemistry
600/82	N06600	ERNiCr-3
22/622	N06022	ERNiCrMo-10
625/625	N06625	ERNiCrMo-3
690/52	N06690	ERNiCrFe-7
671/72	None — use N06600	ERNiCr-4
825/None	N08825	None

Some of the clad alloys are subject to embrittlement during long-term service over specific temperature ranges. In particular, Alloy 625 embrittles in the temperature range of 1,000°F to 1,400°F (540°C to 760°C), and the ferrite phase of 312 stainless steels embrittles above 500°F (260°C) with the shortest embrittlement time occurring at 885°F (475°C) (see Section II, Part D, Appendix A, para. A-360).

**PW-44.2** Rules governing the P-No. of the bimetallic tube to which an attachment is welded are as follows:

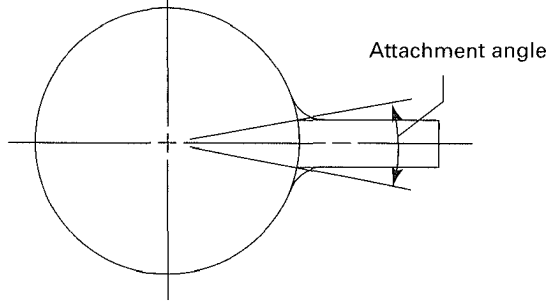
(a) If the attachment is welded to the clad portion, the P-No. shall be that associated with the clad except when the combination of heat input and clad thickness create a new heat-affected zone in the core tube, in which case the P-No. having the more conservative rules shall be applicable. Macroetching and microhardness measured from a representative sample may be used to determine whether a new heat-affected zone is created in the core tube by the attachment welding.

(b) If the attachment is welded to the core, the P-No. shall be that associated with the core tube.

**PW-44.3** The rules of Section IX applicable to corrosion-resistant weld metal overlays (CRO) shall apply for welding procedure qualifications and for welding performance qualifications. In addition, qualification as a groove weld in accordance with Section IX shall be satisfied to demonstrate strength and ductility of the weldment.

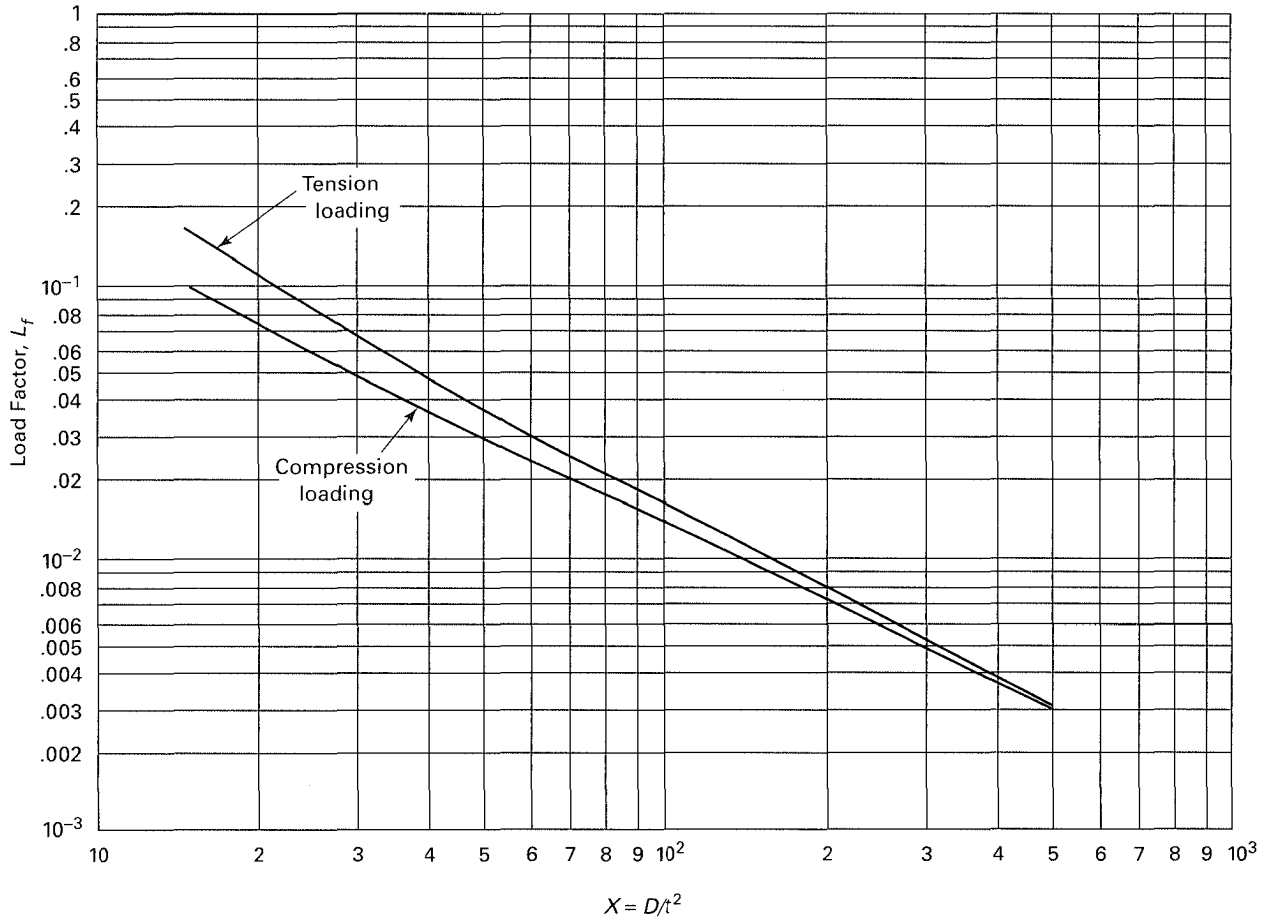
2010 SECTION I

TABLE PW-43.1  
TUBE ATTACHMENT ANGLE DESIGN FACTOR,  $K$



Angle of attachment, deg	0	5	10	15	20	25	30	35	40	45
Design factor, $K$	1.000	1.049	1.108	1.162	1.224	1.290	1.364	1.451	1.545	1.615
Angle of attachment, deg	50	55	60	65	70	75	80	85	90	
Design factor, $K$	1.730	1.836	1.949	2.076	2.221	2.341	2.513	2.653	2.876	

FIG. PW-43.2 CHART FOR DETERMINING LOAD FACTOR,  $L_f$



**PW-44.4** Exemptions to postweld heat treatment (PWHT) in PW-39 that are specific to corrosion-resistant weld metal overlay cladding of pipe or tube materials shall apply. When there are no such exemptions, PWHT is mandatory and shall be based on the core material in accordance with PW-39.

**PW-44.5** A stress relief to relax residual stresses and improve ductility may be desirable before making cold bends on bimetallic tubing.

**PW-44.6** Bimetallic tubes that are cold formed after cladding may require post-forming heat treatments.

**PW-44.6.1** For bimetallic tubes in which the core tube and clad are both austenitic materials (either steel or nickel-based alloy), the cold forming rules of PG-19 shall apply with the minimum heat treatment temperature being the highest applicable to the two alloys. For weld- or laser-fused cladding, the nominal wrought equivalents in PW-44.1 may be used.

**PW-44.6.2** For bimetallic tubes in which the core is ferritic and the clad austenitic (either steel- or nickel-based alloy), the forming limits in Table PG-19 that would initiate a required solution heat treatment shall not be exceeded. For weld- or laser-fused cladding, the nominal wrought equivalents in PW-44.1 may be used.

**PW-44.7** Demonstration of the cladding process to achieve a metallurgical bond and a clad that is free from rejectable defects shall be by examination of a workmanship bimetallic tube sample using cladding parameters that are to be used in production. The bimetallic tube sample shall have a minimum length of 7 in. (175 mm). This sample shall be evaluated prior to the start of fabrication and repeated for a new sample anytime an essential variable is changed, using the methods described in paras. PW-44.7.1 through PW-44.7.4.

**PW-44.7.1** Two 0.5 in. (13 mm)-long rings shall be removed, one from each end, and the four available cross sections (the ends of the two rings) shall be inspected using the liquid penetrant technique in accordance with Appendix A-270 except for revisions to the acceptance criteria in (a) through (c) below. The basis for rejection of indications on any of the examined surfaces shall be as follows:

(a) Any linear indication (length more than or equal to three times the width) with a length of  $\frac{1}{16}$  in. (1.6 mm) or greater. Rejectable linear indications on two or more surfaces shall constitute rejection of the cladding process.

(b) More than two isolated rounded indications on any single examined surface with a size of  $\geq 50\%$  of clad thickness or  $\frac{1}{16}$  in. (1.6 mm), whichever is less. Rounded indications that are initially classified as nonrejectable shall be further explored by either incremental sectioning or supplemental NDE. Any such rounded indication that is determined to extend  $\frac{1}{8}$  in. (3.2 mm) or more below the ring

surface shall be reclassified as a rejectable indication. Rejectable indications on more than two of the four examined surfaces shall constitute rejection of the cladding process.

(c) Four or more rounded indications with a size of  $\geq 75\%$  of clad thickness or  $\frac{1}{16}$  in. (1.6 mm), whichever is less, in a line separated by  $\frac{1}{16}$  in. (1.6 mm) or less, edge to edge. Rejectable indications on two or more of the four examined surfaces shall constitute rejection of the cladding process.

**PW-44.7.2** After removal of the two rings, the remaining portion of the tube shall be split longitudinally, and the four available cross sections shall be inspected using the liquid penetrant technique in accordance with A-270, except for revisions to the acceptance criteria in (a) through (c) below. The basis for rejection of indications on any of the four examined surfaces shall be as follows:

(a) Any linear indication (length more than or equal to three times the width) with a length of  $\frac{1}{16}$  in. (1.6 mm) or greater. Rejectable linear indications on two or more surfaces shall constitute rejection of the cladding process.

(b) More than two isolated rounded indications on any single examined surface with a size of  $\geq 50\%$  of clad thickness or  $\frac{1}{16}$  in. (1.6 mm), whichever is less. Rounded indications that are initially classified as nonrejectable shall be further explored by either incremental sectioning or supplemental NDE. Any such rounded indication that is determined to extend  $\frac{1}{8}$  in. (3.2 mm) or more below the surface shall be reclassified as a rejectable indication. Rejectable indications on two or more of the four examined surfaces shall constitute rejection of the cladding process.

(c) Four or more rounded indications with a size of  $\geq 75\%$  of clad thickness or  $\frac{1}{16}$  in. (1.6 mm), whichever is less, in a line separated by  $\frac{1}{16}$  in. (1.6 mm) or less, edge to edge. Rejectable indications on one or more of the four examined surfaces shall constitute rejection of the cladding process.

**PW-44.7.3** Ultrasonic examination (UT) may be substituted for the examinations described in PW-44.7.1 and PW-44.7.2, provided the following conditions are satisfied:

(a) The examination shall be done in accordance with Section V, Article 4, with specific emphasis on the portions relating to cladding (T-432.2, T-434.1.4, T-434.4, and T-473).

(b) The procedures shall have sensitivity to identify and size rejectable defects of the sizes identified in PW-44.7.1(a) through (c) and PW-44.7.2(a) through (c).

(c) Four areas shall be selected, each containing a 7 in. (175 mm) length of bimetallic tubing. These four lengths shall be given a full clad volumetric and core-to-clad bond-line examination, and the acceptance or rejection of a single length or the group of four lengths collectively shall be based on the criteria in PW-44.7.2(a) through (c).

**PW-44.7.4** In the event the cladding process is rejected based on PW-44.7.1, PW-44.7.2, or PW-44.7.3, two recovery paths are available as follows:

(a) The amount of sampling shall be doubled from the previous examination and a retest performed using the same methods. Rejection of any grouping shall constitute rejection of the process. In the event of a rejection of the process on the second attempt, the retest protocol may be repeated a third and final time.

(b) The cladding process parameters shall be changed to produce a new workmanship sample and the examination process repeated from the beginning.

**PW-44.8** The rules in this paragraph and its subparagraphs are applicable to laser-fused cladding and welded cladding but not to coextruded tubing. During production of bimetallic tubes, the Manufacturer responsible for certifying the boiler unit shall establish a nondestructive examination program, to be implemented by the cladding organization, consisting of the elements described in PW-44.8.1 through PW-44.8.4 as a minimum.

**PW-44.8.1** Visual examination (VT) shall be performed on 100% of the clad surface in accordance with Section V, Article 9. Any indication open to the surface shall additionally be subjected to liquid penetrant testing (PT) in accordance with A-270 and acceptance or rejection based on A-270.4. The portion of bimetallic tubing containing rejectable defects shall either be removed or the defects repaired in accordance with PW-44.9.

**PW-44.8.2** A minimum of 5% of the clad portion of bimetallic tubing shall be subjected to liquid penetrant testing (PT) in accordance with A-270 and acceptance or rejection based on A-270.4. The portion of bimetallic tubing containing rejectable defects shall either be removed or the defects repaired in accordance with PW-44.9.

**PW-44.8.3** In the vicinity of all the areas identified for PT in PW-44.8.2, clad thickness shall be measured at a location (or locations) identified by the Manufacturer responsible for certifying the boiler unit. The means for measuring the clad thickness shall be established by the Manufacturer responsible for certifying the boiler unit using calibration standards typical of the clad process. All violations of minimum clad thickness shall initiate a more extensive thickness survey to establish the extent of the affected area, and an engineering evaluation for disposition shall be performed by the Manufacturer responsible for certifying the boiler unit.

**PW-44.8.4** Other elements that may be considered for inclusions in the production examination program include the following:

(a) validation of chemical composition of the clad, particularly chromium

(b) documentation of dimensional characteristics of the completed component

(c) records of clad areas for each weld consumable used

(d) hardness testing

(e) examining the clad surface with copper sulfate to identify bare areas

(f) macroscopic and microscopic metallographic sampling

**PW-44.9** Defects confined to the clad, revealed by the examinations in PW-44.8 or found otherwise, that do not encroach on the minimum clad thickness or the minimum total wall thickness shall be removed locally by mechanical means and the area smoothly blended to the adjacent contour. Defects that encroach on the minimum clad thickness or the minimum total wall thickness shall be weld repaired in accordance with the applicable portions of PW-41. All repaired areas shall subsequently be inspected to the requirements of PW-44.8 and subparagraphs and shown to conform to the acceptance standards in A-270.

## INSPECTION AND TESTS

### PW-46 GENERAL

**PW-46.1** The rules in the following paragraphs apply specifically to the inspection and testing of power boilers and power boiler parts that are fabricated by welding and shall be used in conjunction with the general requirements for inspection and tests in Part PG as well as the specific requirements for inspection and tests in the applicable Parts of this Section that pertain to the type of boiler under consideration.

**PW-46.2 Inspection During Fabrication.** The Manufacturer shall submit the vessel or other pressure part for inspection at such stages of the work as may be designated by the Inspector.

### PW-47 CHECK OF WELDING PROCEDURE

**PW-47.1** It is the duty of the Inspector to assure himself that the welding procedures employed in construction have been qualified under the provisions of Section IX. The Manufacturer shall submit evidence to the Inspector that those requirements have been met.

**PW-47.2** The Inspector has the right at any time to call for and witness the test welding and testing although it is not mandatory that he witness the test welding and the testing unless he so desires.

### PW-48 CHECK OF WELDER AND WELDING OPERATOR PERFORMANCE QUALIFICATIONS

**PW-48.1** It is the duty of the Inspector to assure himself that all welding is done by welders or welding operators



qualified under the provisions of Section IX. The Manufacturer shall make available to the Inspector a certified copy of the record of performance qualification tests of each welder and welding operator as evidence that these requirements have been met.

**PW-48.2** The Inspector has the right at any time to call for and witness the test welding and testing although it is not mandatory that he witness the test welding and the testing unless he so desires.

#### **PW-49 CHECK OF HEAT TREATMENT PRACTICE**

The Inspector shall satisfy himself that all heat treating operations required by the Code have been correctly performed.

#### **PW-50 QUALIFICATION OF NONDESTRUCTIVE EXAMINATION PERSONNEL**

**PW-50.1** The Manufacturer shall be responsible for assuring that nondestructive examination (NDE) personnel have been qualified and certified in accordance with their employer's written practice prior to performing or evaluating radiographic or ultrasonic examinations required by this Section. SNT-TC-1A<sup>3</sup> or CP-189 shall be used as a guideline for employers to establish their written practice. National or international Central Certification Programs, such as the ASNT Central Certification Program (ACCP), may be used to fulfill the examination and demonstration requirements of the employer's written practice. Provisions for training, experience, qualification, and certification of NDE personnel shall be described in the Manufacturer's quality control system (see PG-105.4).

**PW-50.2** NDE personnel shall be qualified by examination. Qualification of NDE Level III personnel certified prior to the 2004 Edition of Section I may be based on demonstrated ability, achievement, education, and experience. Such qualification shall be specifically addressed in the written practice. When NDE personnel have been certified in accordance with a written practice based on an edition of SNT-TC-1A or CP-189 earlier than that referenced in A-360, their certification shall be valid until their next scheduled recertification.

**PW-50.3** Recertification shall be in accordance with the employer's written practice based on the edition of SNT-TC-1A or CP-189 referenced in A-360. Recertification may be based on evidence of continued satisfactory

<sup>3</sup> SNT-TC-1A, ACCP, and CP-189 are published by the American Society for Nondestructive Testing, 1711 Arlingate Lane, P.O. Box 28518, Columbus, OH 43228-0518.

performance or by reexamination(s) deemed necessary by the employer.

#### **PW-51 RADIOGRAPHIC EXAMINATION (10)**

**PW-51.1** When the radiographic examination method is used for a weld requiring volumetric examination by PW-11, the weld shall be examined throughout its entire length by the X-ray or gamma-ray method in accordance with Article 2 of Section V. The requirements of T-274 are to be used as a guide but not for the rejection of radiographs unless the geometrical unsharpness exceeds 0.07 in. (1.8 mm). (10)

**PW-51.2** A single-welded circumferential butt joint with backing strip may be radiographed without removing the backing strip, provided it is not to be removed subsequently and provided the image of the backing strip does not interfere with the interpretation of the resultant radiographs.

**PW-51.3** Indications shown on the radiographs of welds and characterized as imperfections are unacceptable under the following conditions, and shall be repaired as provided in PW-40 and the repair radiographed to PW-51:

**PW-51.3.1** Any indication characterized as a crack, or zone of incomplete fusion or penetration.

**PW-51.3.2** Any other elongated indication on the radiograph that has a length greater than

(a)  $\frac{1}{4}$  in. (6 mm) for  $t$  up to  $\frac{3}{4}$  in. (19 mm)

(b)  $\frac{1}{3} t$  for  $t$  from  $\frac{3}{4}$  in. (19 mm) to  $2\frac{1}{4}$  in. (57 mm)

(c)  $\frac{3}{4}$  in. (19 mm) for  $t$  over  $2\frac{1}{4}$  in. (57 mm)

where  $t$  is the thickness of the weld

**PW-51.3.3** Any group of aligned indications that have an aggregate length greater than  $t$  in a length of  $12t$ , except when the distance between the successive imperfections exceeds  $6L$  where  $L$  is the length of the longest imperfection in the group.

**PW-51.3.4** Rounded indications in excess of those shown in A-250.

**PW-51.4** A complete set of radiographs for each job shall be retained by the Manufacturer and kept on file for a period of at least 5 years.

#### **PW-52 ULTRASONIC EXAMINATION (10)**

**PW-52.1** When the ultrasonic examination method is used for a weld requiring volumetric examination by PW-11, the weld shall be examined throughout its entire length using the techniques and standards for ultrasonic examination as defined in Section V, Article 4, Mandatory Appendix VII, Ultrasonic Examination Requirements for a Workmanship Based Acceptance Criteria. (10)

**PW-52.2** The Manufacturer's report, as required by T-490 of Section V, shall be retained by the Manufacturer for a minimum of 5 yr.

- (10) **PW-52.3 Acceptance-Rejection Standards.** Imperfections that cause an indication to exceed the evaluation levels specified in Section V shall be investigated to the extent that the ultrasonic examination personnel can determine their shape, identity, and location, and evaluate them in terms of PW-52.3.1 and PW-52.3.2.

**PW-52.3.1** Cracks, lack of fusion, or incomplete penetration are unacceptable regardless of length.

**PW-52.3.2** Other imperfections are unacceptable if the indication exceeds the reference level and their length exceeds the following:

- (a)  $\frac{1}{4}$  in. (6 mm) for  $t$  up to  $\frac{3}{4}$  in. (19 mm)
- (b)  $\frac{1}{3}t$  for  $t$  from  $\frac{3}{4}$  in. (19 mm) to  $2\frac{1}{4}$  in. (57 mm)
- (c)  $\frac{3}{4}$  in. (19 mm) for  $t$  over  $2\frac{1}{4}$  in. (57 mm)

where  $t$  is the thickness of the weld being examined. If the weld joins two members having different thicknesses at the weld,  $t$  is the thinner of these two thicknesses.

## PW-53 TEST PLATES

**PW-53.1 Vessel Test Plates.** Cylindrical pressure parts such as drums and shells that are subject to internal pressure and are fabricated by fusion welding, shall meet the test requirements in PW-53.2 through PW-53.10. Cylindrical pressure parts such as pipe, tubes, and headers that are subject to internal pressure, and all cylindrical pressure parts constructed of P-No. 1 materials, as defined in Section IX, are exempt from these requirements.

**PW-53.2 Welded Test Plates.** A welded test plate having the dimensions shown in Fig. PW-53.1 shall be prepared from plate of the same material specification,<sup>4</sup> the same or greater thickness as the weld at the joint and using the same welding procedure as used for the shell plates that it represents. The plate shall be welded by one of the following methods.

**PW-53.2.1** Attach the test plate as shown in Fig. PW-53.2 to one end of one longitudinal joint of each vessel so that the edges to be welded are a continuation of the corresponding edges of the longitudinal joint. In this case the weld metal shall be deposited in the weld joint of the test plate continuously with that deposited in the shell joint. This procedure is not applicable to vessels with circumferential joints only.

**PW-53.2.2** Weld the joint in the test plate without attaching it as a continuation of a joint in the shell plate.

<sup>4</sup> To be of the same specification as the steel being welded the chemical composition must be within the specification limits and the melting practice, i.e., killed, semikilled, or rimmed, must be the same.

**PW-53.3** When noncylindrical pressure parts are not integral with the vessel, a test plate shall be provided having a thickness not less than that of the parts.

**PW-53.4** Where there are several pressure parts of any one design being welded in succession, and in which the plates are of the same material that is covered by the welding procedure, a test plate shall be furnished for each 200 ft (60 m), or fraction thereof, of the main welded joints. The thickness of the thinnest plate and of the thickest plate shall not differ by more than  $\frac{1}{4}$  in. (6 mm).

**PW-53.5** Where more than one welder or welding operator is used on a vessel, the inspector may designate the welder or welding operator who shall make the required test plate.

**PW-53.6** The test plate shall be so supported that the welding does not warp the plate out of line by an angle greater than 5 deg. The plate shall be straightened before postweld heat treatment to remove any warping that has occurred. The test plate shall be given the same preheat treatment and the same postweld heat treatment as the vessel that it represents. In no case shall the temperature of preheat or postweld heat treatment be higher than that used for the vessel.

**PW-53.7 Test Specimens.** The coupons for tension and bend test shall be removed as shown in Fig. PW-53.1 and shall be of the dimensions shown in Figs. PW-53.3 (a) and (b). If the dimensions of the weld groove are such that a full size tension specimen cannot be obtained, then a small size specimen as shown in Fig. 4 of SA-370 may be used. The specimen removed shall be the largest specimen that contains only all-weld metal in the reduced section.

### PW-53.8 Tension Tests

**PW-53.8.1** Except as provided in PW-53.8.5 two types of tension test specimen are required, one of the joint and the other of the weld metal.

**PW-53.8.2** The tension specimen of the joint shall be transverse to the welded joint and shall be the full thickness of the welded plate after the outer and inner surfaces of the weld have been machined to a plane surface flush with the surface of the plate. When the capacity of the available testing machine does not permit testing a specimen of the full thickness of the welded plate, the specimen may be cut with a thin saw into as many portions of the thickness as necessary, each of which shall be tested and shall meet the requirements.

**PW-53.8.3** If the transverse tension test specimen breaks in the weld, its tensile strength shall be not less than the minimum of the specified tensile range of the base material (The tension test of the joint specimen as specified herein is intended as test of the welded joint and not of the plate.). When the specimen breaks outside the weld at

FIG. PW-53.1 TEST SPECIMENS FROM LONGITUDINAL WELDED TEST PLATES

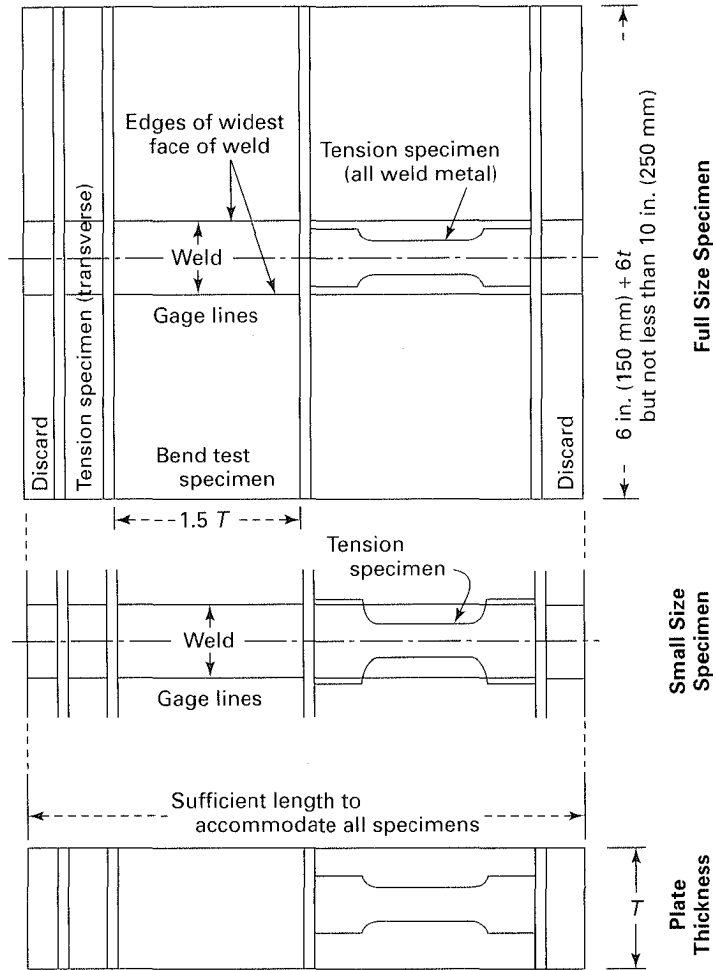
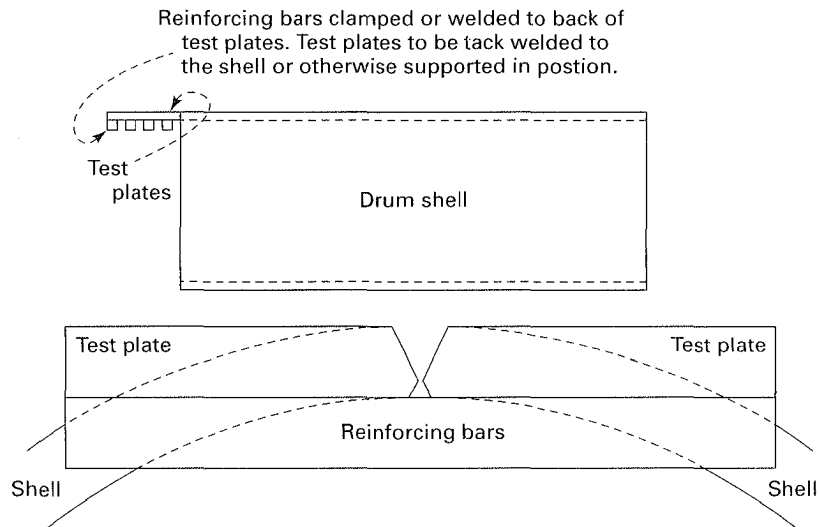


FIG. PW-53.2 METHOD OF FORMING LONGITUDINAL TEST PLATES



not less than 95% of the minimum of the specified tensile range of the base material and the weld shows no sign of weakness, the test shall be accepted as meeting the requirements. When the specimen or a portion thereof breaks in the base material below this strength tolerance because of a local defect, one additional specimen shall be tested and shall meet the requirements.

**PW-53.8.4** The tension test specimen of the weld metal shall be taken such that the reduced portion of the specimen shall consist entirely of deposited weld metal and shall meet the following requirements:

Tensile strength = at least that of the minimum of the range of the plate which is welded

Elongation, minimum, %, in 2 in. (50 mm) = 20,

$$\begin{aligned} \text{or } &= 700/U + 10 \text{ (U.S. customary units), whichever} \\ &\text{is less} \\ &= 4\,820/U + 10 \text{ (SI units), whichever is less} \end{aligned}$$

where

$U$  = minimum specified tensile strength of the material to be welded, ksi (MPa), as given in the applicable stress table.

If small size tensile specimens are used, measurement of elongation may be omitted.

**PW-53.8.5** For plate thicknesses less than  $\frac{5}{8}$  in. (16 mm), the all-weld metal tension test may be omitted.

### **PW-53.9 Bend Tests**

**PW-53.9.1** The bend test specimen shall be transverse to the welded joint of the full thickness of the plate and shall be of rectangular cross section with a width  $1\frac{1}{2}$  times the thickness of the specimen. When the capacity of the available testing machines does not permit testing a specimen of the full thickness of the welded plate, the specimen may be cut with a thin saw into as many portions of the thickness as necessary, each of which shall be tested and shall meet the requirements. The inside and outside surfaces of the weld shall be machined to a plane surface flush with the surface of the specimen. The edges of this surface shall be rounded to a radius not over 10% of the thickness of the test specimen. The specimen shall be bent cold under free bending conditions until the least elongation measured within or across approximately the entire weld on the outside fibers of the bend test specimen is 30%, or  $700/U$  ( $4\,820/U$ ) + 20%, whichever is less.

where

$U$  = minimum specified tensile strength of the material to be welded, psi, as given in the applicable stress table

**PW-53.9.2** When a crack is observed in the tensile strained surface of the specimen between the edges before

the elongation required in PW-53.9.1 is attained, the specimen shall be considered to have failed and the test shall be stopped. Cracks at the corners of the specimen shall not be considered as a failure. The appearance of small imperfections in the convex surface shall not be considered as a failure if the greatest dimension does not exceed  $\frac{1}{8}$  in. (3 mm).

### **PW-53.10 Retests**

**PW-53.10.1** Should any of the specimens fail to meet the requirements by more than 10%, no retest shall be allowed except that in the case of failure of the free-bend test specimen due to permissible types of imperfections, free-bend specimen retests may be allowed at the discretion of the Inspector.

**PW-53.10.2** Should any of the specimens fail to meet the requirements by 10% or less, retests shall be allowed. A second test plate shall be welded by the same operator who welded the plate which did not meet the test requirements. The retest shall be made on specimens cut from the second plate.

**PW-53.10.3** The retests shall comply with the requirements. For either of the tension retests, two specimens shall be cut from the second test plate, and both of these shall meet the requirements.

**PW-53.10.4** When there is more than one specimen of the same type and one or more of the specimens fail to meet the requirements by 10% or less, a retest may be made for each specimen required for the weld under consideration. Each such specimen shall meet the requirements.

**PW-53.10.5** If the percentage of elongation of all-weld metal tension specimen is less than that specified and any part of the fracture is more than  $\frac{3}{4}$  in. (19 mm) from the center of the 2 in. (50 mm) gage length of the specimen, a retest shall be allowed.

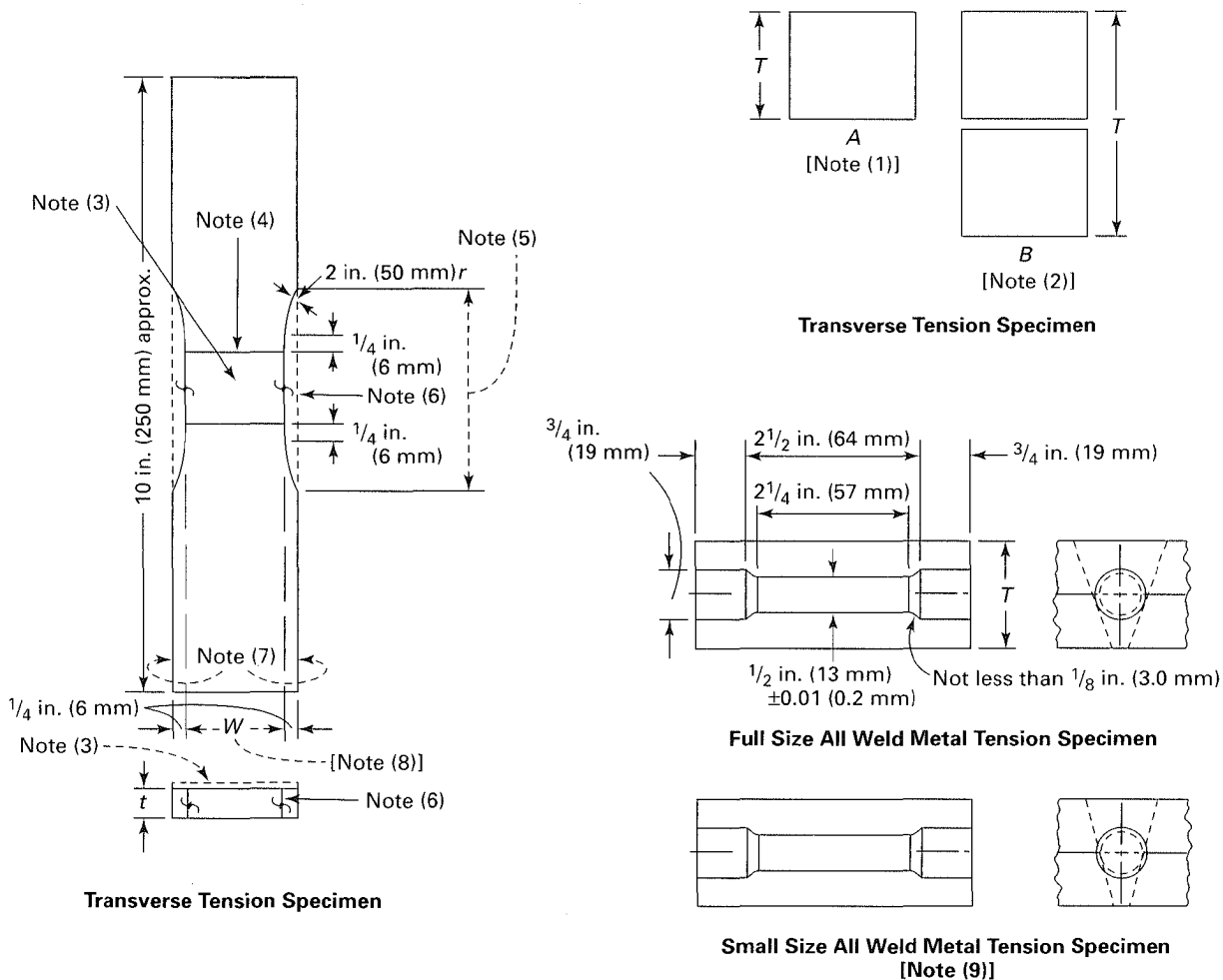
## **PW-54 HYDROSTATIC TEST**

**PW-54.1** Except as modified in PG-99.3, PG-106.8, and PW-54.3, all welded drums and other welded pressure parts shall be subjected to a hydrostatic test pressure of not less than 1.5 times the maximum allowable working pressure. The hydrostatic test may be made either in the Manufacturer's shop or in the field.

**PW-54.2** When repairs are made, the part shall again be tested in the regular way, and if it passes the test the Inspector shall accept it. If it does not pass the test the Inspector may permit supplementary repairs, or if in his judgment the pressure part is not suitable for service, he may permanently reject it.

**PW-54.3** Welding of nonpressure parts to pressure parts and seal welding of pressure retaining handhole and inspection plugs or fittings secured by physical means may

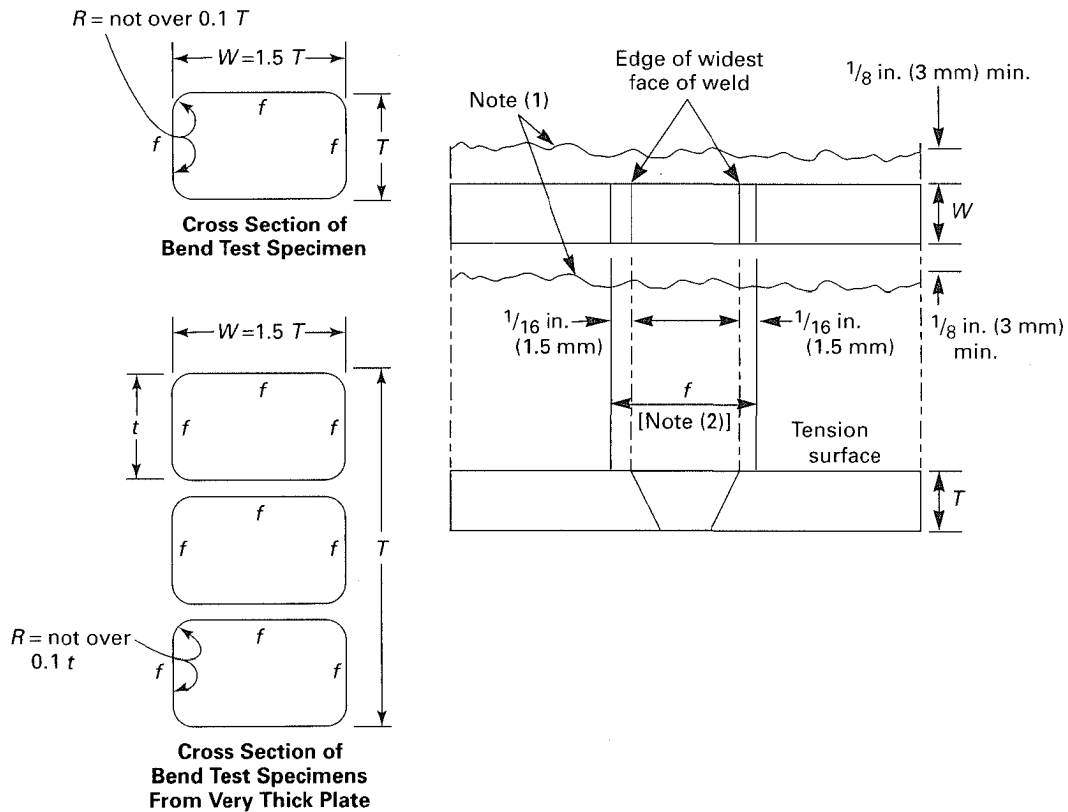
FIG. PW-53.3(a) DETAILS OF TENSION TEST SPECIMENS



NOTES:

- (1) A — Cross section through tension specimen.
- (2) B — Cross section through tension specimens on very thick plate.
- (3) Weld reinforcement shall be machined flush with base metal.
- (4) Edge of widest face of weld.
- (5) This section machined preferably by milling.
- (6) "f" indicates light finish cut.
- (7) These edges may be flame cut.
- (8)  $W = 1\frac{1}{2}$  in. (38 mm)  $\pm$  0.01 in. (0.2 mm) if  $t$  does not exceed 1 in. (25 mm);  $W = 1$  in. (25 mm)  $\pm$  0.01 in. (0.2 mm) if  $t$  exceeds 1 in. (25 mm).
- (9) Specimen sizes in accordance with Fig. 4 of SA-370.

FIG. PW-53.3(b) DETAILS OF BEND TEST SPECIMENS



## NOTES:

- (1) If coupons have been cut apart by a fusion process, the flame cut surfaces are to be machined off as indicated.
- (2) This surface to be reasonably smooth. Any tool marks remaining must be lengthwise of specimen. "P" indicates light finish cut. Weld reinforcement to be removed.

be performed after the hydrostatic test without requiring another hydrostatic test provided the following criteria are met.

**PW-54.3.1** Welding is done in conformance with this Part and the completed weld is inspected by the Authorized Inspector. The Manufacturers' Data Report Form shall be signed only after completion of the welding.

**PW-54.3.2** For nonpressure parts welded to pressure parts, the following additional conditions shall be met:

(a) The pressure part material is limited to P-No. 1 materials.

(b) The nonpressure attachment material is limited to carbon steel with a carbon content not exceeding 0.2% or any P-No. 1 material.

(c) The welding is done by stud welding or by fillet welding having a throat not exceeding the lesser of 0.70 times the thickness of the pressure part or  $1/4 \text{ in. (6 mm)}$ .

(d) A minimum  $200^\circ\text{F (95}^\circ\text{C)}$  preheat shall be applied when the pressure part thickness exceeds  $3/4 \text{ in. (19 mm)}$ .

**PW-54.3.3** For seal welding of pressure retaining handhole and inspection plugs or fittings secured by physical means, the following additional conditions shall be met:

(a) The seal welds must be exempted from postweld heat treatment by rules elsewhere in this section.

(b) The completed weld is examined using either the magnetic particle or liquid penetrant examination method in accordance with A-260 or A-270, respectively. When the base materials or welds are nonmagnetic, only the liquid penetrant method shall be used.

**PART PR**  
**REQUIREMENTS FOR BOILERS**  
**FABRICATED BY RIVETING**

Manufacturers using riveted construction shall use the 1971 Edition of Section I. Boilers or parts thereof constructed by using riveted construction require the use of the applicable Manufacturer's Data Report Forms as included in the 1971 Edition of Section I.

## PART PB

# REQUIREMENTS FOR BOILERS FABRICATED BY BRAZING

### GENERAL

#### PB-1 GENERAL

**PB-1.1 Scope.** The rules in Part PB are applicable to pressure parts of boilers, including piping constructed under the provisions of this Section, that are fabricated by brazing. These rules shall be used in conjunction with the general requirements in Part PG and the specific requirements in the applicable Parts of this Section that pertain to the type of boiler under consideration. The rules in Part PB are not applicable to nonpressure bearing attachments to pressure parts that have essentially no load-carrying function (such as extended heat transfer surface, insulation support pins, etc.).

**PB-1.1.1 Definition of Brazing.** A group of welding processes that produces coalescence of materials by heating them to the brazing temperature in the presence of a filler metal having liquidus above 840°F (450°C) and below the solidus of the base metal. The filler metal is distributed between the closely fitted faying surfaces of the joint by capillary action.

**PB-1.1.2** Brazing processes that are permitted for use under this Part are classified by method of heating as follows:

- (a) torch brazing
- (b) furnace brazing
- (c) induction brazing
- (d) resistance brazing
- (e) dip brazing — salt and flux bath

**PB-1.2 Elevated Temperature.** Maximum design temperature is dependent on the brazing filler metal and on the base metals being joined. The maximum design temperatures for some brazing filler metals are shown in Table PB-1.

**PB-1.3 Service Restrictions.** Brazed components may be used for service up to the temperatures as shown in Table PB-1, provided acceptable qualification tests are performed.

**PB-1.4 Responsibility.** Each Manufacturer<sup>1</sup> (Certificate of Authorization Holder) is responsible for the brazing

done by his organization and shall establish the procedures and conduct the tests required by Section IX, and when necessary those required by this Section to qualify the brazing procedures used in the construction of brazed assemblies and the performance tests of brazers<sup>2</sup> who apply these procedures. Such brazing will ordinarily be done by employees of the Manufacturer who accepts the responsibility for Code construction of the boiler or part being brazed. Alternatively, the Manufacturer may perform Code brazing using the services of individual brazers who are not in his employ provided all the following conditions are met.

**PB-1.4.1** All Code construction shall be the responsibility of the Manufacturer.

**PB-1.4.2** All brazing shall be performed in accordance with Manufacturer's brazing procedure specifications that have been qualified by the Manufacturer in accordance with the requirements of Section IX and when necessary, based on design temperature, with the additional requirements of this Section.

**PB-1.4.3** All brazers shall be qualified by the Manufacturer in accordance with the requirements of Section IX.

**PB-1.4.4** The Manufacturer's quality control system shall include the following as a minimum.

**PB-1.4.4.1** A requirement for complete and exclusive administrative and technical supervision of all brazers by the Manufacturer.

**PB-1.4.4.2** Evidence of the Manufacturer's authority to assign and remove brazers at his discretion without involvement of any other organization.

**PB-1.4.4.3** A requirement for assignment of brazer identification symbols.

**PB-1.4.4.4** Evidence that this program has been accepted by the Manufacturer's Authorized Inspection Agency.

**PB-1.4.5** The Manufacturer shall be responsible for Code compliance of the brazement including Code symbol

<sup>1</sup> Manufacturer includes contractor, Assembler, and installer.

<sup>2</sup> Brazer includes brazing operator.



TABLE PB-1  
MAXIMUM DESIGN TEMPERATURES [°F (°C)] FOR BRAZING FILLER METAL

Filler Metal Classification	Temperature Below Which Section IX Tests Only Are Required, °F (°C)	Temperature Range Requiring Section IX and Additional Tests, °F (°C)
BCuP	300 (150)	300–350 (150–175)
BAG	400 (205)	400–500 (205–260)
BCuZn	400 (205)	400–500 (205–260)
BCu	400 (205)	400–650 (205–345)
BAISi	300 (150)	300–350 (150–175)
BNi	1,200 (650)	1,200–1,500 (650–815)
BAu	800 (425)	800–900 (425–480)
BMg	250 (120)	250–275 (120–135)

GENERAL NOTE: Temperatures based on AWS recommendations.

stamping and providing Data Report Forms properly executed and countersigned by the Authorized Inspector.

## MATERIALS

### PB-5 GENERAL

**PB-5.1** Materials used in brazed construction of pressure parts shall conform to one of the specifications given in Section II and shall be limited to those specifically permitted in Parts PG, PWT, and PFT for which allowable stress values are given in Tables 1A and 1B of Section II, Part D for Section I Construction, and for which brazing group P-Numbers are assigned in Section IX.

**PB-5.2 Combinations of Dissimilar Metals.** Combinations of dissimilar metals may be joined by brazing provided they meet the qualification requirements of Section IX and this Section.

### PB-6 BRAZING FILLER METALS

The selection of the brazing filler metal for a specific application shall depend upon its suitability for the base metals being joined and the intended service. Satisfactory qualification of the brazing procedure under Section IX and when necessary based on design temperature, with the additional requirements of this Section, is considered proof of the suitability of the filler metal. Brazing with brazing filler metals other than those listed in Section II, Part C, SFA-5.8 shall be separately qualified for both procedure and performance qualification in accordance with Section IX and when necessary with the additional requirements of this Section.

### PB-7 FLUXES AND ATMOSPHERES

Suitable fluxes or atmospheres or combinations of fluxes and atmospheres shall be used to prevent oxidation of the

brazing filler metal and the surfaces to be joined. Satisfactory qualification of the brazing procedure under Section IX and when necessary, based on design temperature, with the additional requirements of this Section, is considered proof of the suitability of the flux and/or atmosphere.

## DESIGN

### PB-8 GENERAL

The rules in the following paragraphs apply to boilers and parts thereof that are fabricated by brazing and shall be used in conjunction with the general requirements for design in Part PG, as well as with the specific requirements for design in the applicable Parts of this Section that pertain to the type of boiler under consideration.

### PB-9 STRENGTH OF BRAZED JOINTS

It is the responsibility of the Manufacturer to determine from suitable tests or from experience that the specific brazing filler metal selected can produce a joint which will have adequate strength at design temperature. The strength of the brazed joint shall not be less than the strength of the base metal, or the weaker of the two base metals in the case of dissimilar metal joints.

**PB-9.1 Qualification of Brazed Joints for Design Temperatures Up to the Maximum Shown in Column 1 of Table PB-1.** Satisfactory qualification of the brazing procedure in accordance with part QB of Section IX is considered evidence of the adequacy of the base materials, the brazing filler metal, the flux and/or atmosphere, and other variables of the procedure.

**PB-9.2 Qualification of Brazed Joints for Design Temperatures in the Range Shown in Column 2 of Table PB-1.** For design temperatures in the range shown in Column 2 of Table PB-1, tests in addition to those in

PB-9.1 are required. These tests shall be considered a part of the qualification procedure. For such design temperatures, two tension tests on production type joints are required, one at the design temperature and one at  $1.05T$  [where  $T$  is the design temperature in degrees Fahrenheit (or degrees Celsius)]. Neither of these production-type joints shall fail in the braze metal.

#### **PB-10 BRAZED JOINT EFFICIENCY**

The joint efficiency factor to be used in design of boilers with brazed joints shall be 1 for all joints.

#### **PB-14 APPLICATION OF BRAZING FILLER METAL**

The design of the joint shall provide for the application of the brazing filler metal. Where practicable, the brazing filler metal shall be applied in such a manner that it will flow into the joint or be distributed across the joint and produce visible evidence that it has penetrated the joint.

**PB-14.1 Manual Application.** The manual application of the brazing filler metal by face-feeding to a joint should be from one side only. Visual observation of the other side of the joint will then show if the required penetration of the joint by the filler metal has been obtained.

**PB-14.2 Preplaced Brazing Filler Metal.** The brazing filler metal may be preplaced in the form of slugs, powder, rings, strip, cladding, spraying, or other means. After brazing, the brazing filler metal should be visible on both sides of the joint.

#### **PB-15 PERMISSIBLE TYPES OF JOINTS**

Some permissible types of brazed joints are shown in Fig. PB-15. Lap joints shall have a sufficient overlap to provide a higher strength in the brazed joint than in the base metal.

The nominal thickness of base material used with lap joints tested using the test fixture shown in Section IX, QB-462.1(e) shall not exceed  $\frac{1}{2}$  in. (13 mm). There is no thickness limitation when specimens are tested without the test fixture shown in QB-462.1(e).

#### **PB-16 JOINT CLEARANCE**

The joint clearance shall be kept sufficiently small so that the filler metal will be distributed by capillary action. Since the strength of a brazed joint tends to decrease as the joint clearance is increased, the clearance for the assembly of joints in pressure vessels or parts thereof shall be within the tolerances set up by the joint design and used

for the corresponding qualification specimens made in accordance with Section IX.

NOTE: For guidance, see Table PB-16, which gives recommended joint clearances at brazing temperature for varying types of brazing filler metal. Brazing alloys will exhibit maximum strength if clearances are maintained within these limits.

#### **PB-17 JOINT BRAZING PROCEDURE**

A joint brazing procedure shall be developed for each different type of joint of a brazed assembly. A recommended form for recording the brazing procedure is shown in QB-482 of Section IX. If more than one joint occurs in a brazed assembly, the brazing sequence shall be specified on the drawing or in instructions accompanying the drawing. If welding and brazing are to be done on the same assembly, the welding shall precede the brazing unless it is determined that the heat of welding will not adversely affect the braze previously made.

#### **PB-18 OPENINGS**

**PB-18.1** Openings for nozzles and other connections shall be far enough away from any main brazed joint so that the joint and the opening reinforcement plates do not interfere with one another.

**PB-18.2** Openings for pipe connections in boilers having brazed joints may be made by inserting pipe couplings, or similar devices not exceeding NPS 3 (DN 80) in the shell or heads and securing them by welding provided the welding is performed by welders who have been qualified under the provisions of Section IX for the welding position and type of joint used. Such attachments shall conform to the rules for welded connections PW-15 and PW-16.

#### **PB-19 BRAZED CONNECTIONS**

**PB-19.1** Connections such as saddle type fittings and fittings inserted into openings formed by outward flanging of the vessel wall, in sizes not exceeding NPS 3 (DN 80), may be attached to boilers by lap joints of brazed construction. Sufficient brazing shall be provided on either side of the line through the center of the opening parallel to the longitudinal axis of the shell to develop the strength of the reinforcement through shear in the brazing.

**PB-19.2** For nozzle fittings having a bolting flange and an integral flange for brazing, the thickness of the flange attached to the boiler shall not be less than the thickness of the neck of the fitting.

FIG. PB-15 SOME ACCEPTABLE TYPES OF BRAZED JOINTS

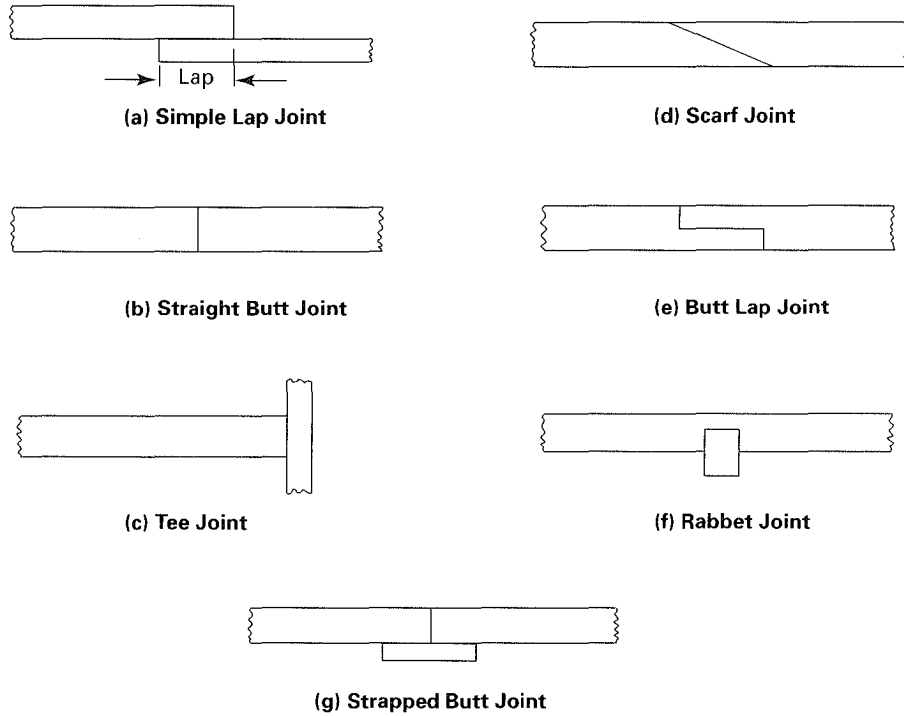


TABLE PB-16  
RECOMMENDED JOINT CLEARANCE AT  
BRAZING TEMPERATURE

Brazing Filler Metal	Clearance [Note (1)]	
	in.	mm
BAISi	0.006–0.010 for laps less than or equal to ¼ in.	0.15–0.25 for laps less than or equal to 6 mm
	0.010–0.025 for laps greater than ¼ in.	0.25–0.64 for laps greater than 6 mm
BCuP	0.001–0.005	0.02–0.13
BAg	0.002–0.005	0.05–0.13
BCuZn	0.002–0.005	0.05–0.13
BCu	0.000–0.002 [Note (2)]	0.000–0.05 [Note (2)]
BNi	0.001–0.005	0.02–0.13

NOTES:

- (1) In the case of round or tubular members clearance on the radius is intended.
- (2) For maximum strength use the smallest possible clearance.

**FABRICATION**

**PB-26 GENERAL**

The rules in the following paragraphs apply specifically to the fabrication of boilers and parts thereof that are fabricated by brazing and shall be used in conjunction with the general requirements for fabrication in Part PG, as well as the specific requirements for fabrication in the applicable Parts of this Section that pertain to the type of boiler under consideration.

**PB-28 QUALIFICATION OF BRAZING PROCEDURE**

**PB-28.1** Each brazing procedure shall be recorded in detail by the Manufacturer. Each brazing procedure shall be qualified in accordance with Section IX and when necessary determined by design temperature with the additional requirements of this Section.

**PB-28.2** Brazing of all test coupons shall be conducted by the Manufacturer. Testing of all test coupons shall be

the responsibility of the Manufacturer. Qualification of a brazing procedure by one Manufacturer shall not qualify that procedure for any other Manufacturer, except as provided in QB-201 of Section IX.

#### **PB-29 QUALIFICATION OF BRAZERS AND BRAZING OPERATORS**

**PB-29.1** The brazers and brazing operators used in brazing pressure parts shall be qualified in accordance with Section IX.

The qualification test for brazing operators of machine or furnace brazing equipment shall be performed on a separate test plate prior to the start of brazing or on the first work piece.

**PB-29.2** Each brazer or brazing operator shall be assigned an identifying number, letter, or symbol by the Manufacturer that shall be used to identify the work of that brazer or brazing operator.

**PB-29.3** The Manufacturer shall maintain qualification records of the brazers and brazing operators showing the date and result of tests and the identification mark assigned to each. These records shall be certified by the Manufacturer by signature or some other method of control in accordance with the Manufacturer's Quality Control System and be accessible to the Inspector.

**PB-29.4** Brazing of all test coupons shall be conducted by the Manufacturer. Testing of all test coupons shall be the responsibility of the Manufacturer. A performance qualification test conducted by one Manufacturer shall not qualify a brazer or brazing operator to do work for any other Manufacturer.

#### **PB-30 CLEANING OF SURFACES TO BE BRAZED**

The surfaces to be brazed shall be clean and free from grease, paint, oxides, scale, and foreign matter of any kind. Any chemical or mechanical cleaning method may be used that will provide a surface suitable for brazing.

#### **PB-31 CLEARANCE BETWEEN SURFACES TO BE BRAZED**

The clearances between surfaces to be brazed shall be maintained within the tolerances provided for by the joint design and used in the qualifying procedure. If greater tolerances are to be used in production, the joint must be requalified for those greater tolerances. The control of tolerances required may be obtained by using spot welding, crimping, or other means that will not interfere with the

quality of the braze. If such means are employed in production, they must also be employed in qualification of procedure, brazer, and operator.

#### **PB-32 POSTBRAZING OPERATIONS**

Brazed joints shall be thoroughly cleaned of flux residue by any suitable means after brazing and prior to inspection.<sup>3</sup> Other postbrazing operations such as thermal treatments shall be performed in accordance with the qualified procedure.

#### **PB-33 REPAIR OF DEFECTIVE BRAZING**

Brazed joints that have been found to be defective may be rebrazed, where feasible, after thorough cleaning, by employing the same brazing procedure used for the original braze. If a different brazing procedure is employed, i.e., torch repair of furnace brazed parts, a repair brazing procedure shall be established and qualified.

When a repair brazing procedure is established it shall meet Section IX and other conditions set forth in this Section.

### **INSPECTION AND TESTS**

#### **PB-46 GENERAL**

**PB-46.1** The rules in the following paragraphs apply specifically to the inspection and testing of power boiler parts that are fabricated by brazing and shall be used in conjunction with the general requirements for inspection and tests in Part PG as well as the specific requirements for inspection and tests in the applicable Parts of this Section that pertain to the type of boiler under consideration.

**PB-46.2 Inspection During Fabrication.** The Manufacturer shall submit the boiler or other pressure part for inspection at such stages of the work as may be designated by the Inspector.

#### **PB-47 CHECK OF BRAZING PROCEDURE**

**PB-47.1** The Inspector shall assure himself that the brazing procedure for each type of joint being produced is qualified in accordance with the requirements of Section IX and when necessary the additional requirements of this Section. He shall satisfy himself that each joint has been fabricated in accordance with the procedure. Where there is evidence of consistent poor quality, the Inspector shall have the right at any time to call for and witness tests of the brazing procedure.

<sup>3</sup> Flux residues can be extremely corrosive as well as interfering with visual inspection.

**PB-48 BRAZER AND BRAZING OPERATOR**

**PB-48.1** The Manufacturer shall certify that the brazing on a boiler or part thereof has been done by brazers or brazing operators who are qualified under the requirements of Section IX. The Inspector shall assure himself that only qualified brazers or brazing operators have been used.

**PB-48.2** The Manufacturer shall make available to the Inspector a certified copy of the record of the qualification tests of each brazer and brazing operator. The Inspector shall have the right at any time to call for and witness tests of the ability of a brazer or brazing operator.

**PB-49 VISUAL EXAMINATION**

**PB-49.1** When possible, the Inspector shall visually inspect both sides of each brazed joint after flux residue removal. It is recognized that for certain joints (blind joints) this is not possible.

**PB-49.2** When visually possible there shall be evidence that the brazing filler metal has penetrated the joint. In a butt braze there shall be no concavity. The braze may be repaired or rebrazed.

**PB-49.3** The presence of a crack in the brazing filler metal shall be cause for rejection. Dye penetrant inspection may be used if desired. The braze may be repaired or rebrazed (see PB-33).

**PB-49.4** The presence of a crack in the base metal adjacent to a braze shall be cause for rejection even if the crack is filled with brazing alloy. Repair is not permitted.

**PB-49.5** Pinholes or open defects in the braze shall be cause for rejection. The joint may be rebrazed.

**PB-49.6** Rough fillets, particularly those with a convex appearance, are cause for rejection. Such joints may be repaired or rebrazed.

**PB-50 EXEMPTIONS**

Certain brazed joints regardless of their service temperatures may be exempt from the additional mechanical testing of this Section providing that the design application does not assume any benefit from the brazed joint strength. It shall however meet the requirements of those qualification tests required by Section IX of the Code (see PB-1.1, Scope).

**MARKING AND REPORTS**

**PB-51 GENERAL**

The provisions for marking and reports given in PG-104 through PG-113 shall apply to brazed boilers and parts thereof.

## PART PWT

# REQUIREMENTS FOR WATERTUBE BOILERS

### GENERAL

#### PWT-1 GENERAL

The rules in Part PWT are applicable to watertube boilers and parts thereof and shall be used in conjunction with the general requirements in Part PG as well as with the special requirements in the applicable Parts of this Section that apply to the method of fabrication used. The rules in Part PWT do not apply to external piping.

### MATERIALS

#### PWT-5 GENERAL

**PWT-5.1** Materials used in the construction of pressure parts for watertube boilers shall conform to one of the specifications in Section II and shall be limited to those for which allowable stress values are given in Tables 1A and 1B of Section II, Part D, for Section I construction or as otherwise specifically permitted in Part PG and Part PWT.

**PWT-5.2** Mud drums of boilers shall be of either wrought steel or cast steel as designated in SA-216.

### DESIGN

#### PWT-8 GENERAL

The rules in the following paragraphs apply specifically to the design of watertube boilers and parts thereof and shall be used in conjunction with the general requirements for design in Part PG as well as with the specific requirements for design in the applicable Parts of this Section that apply to the method of fabrication used.

#### PWT-9 TUBES AND PIPE

**PWT-9.1** Economizer, boiler generator, and superheater tubes shall comply with the specifications as listed in PG-9.

**PWT-9.2** Seamless steel pipe not exceeding NPS 1½ (DN 40) complying with SA-53 or SA-106 may be threaded into the tubesheet, drum, or steel fitting of a

watertube boiler. Steel fittings, if used, must fully cover the threads.

**PWT-9.3** A tube in which a fusible plug is to be installed shall be not less than 0.22 in. (5.6 mm) in thickness at the plug in order to secure four full threads for the plug (see also A-20).

#### PWT-11 TUBE CONNECTIONS

Tubes, pipe, and nipples may be attached to shells, heads, headers, and fittings by one of the following methods.

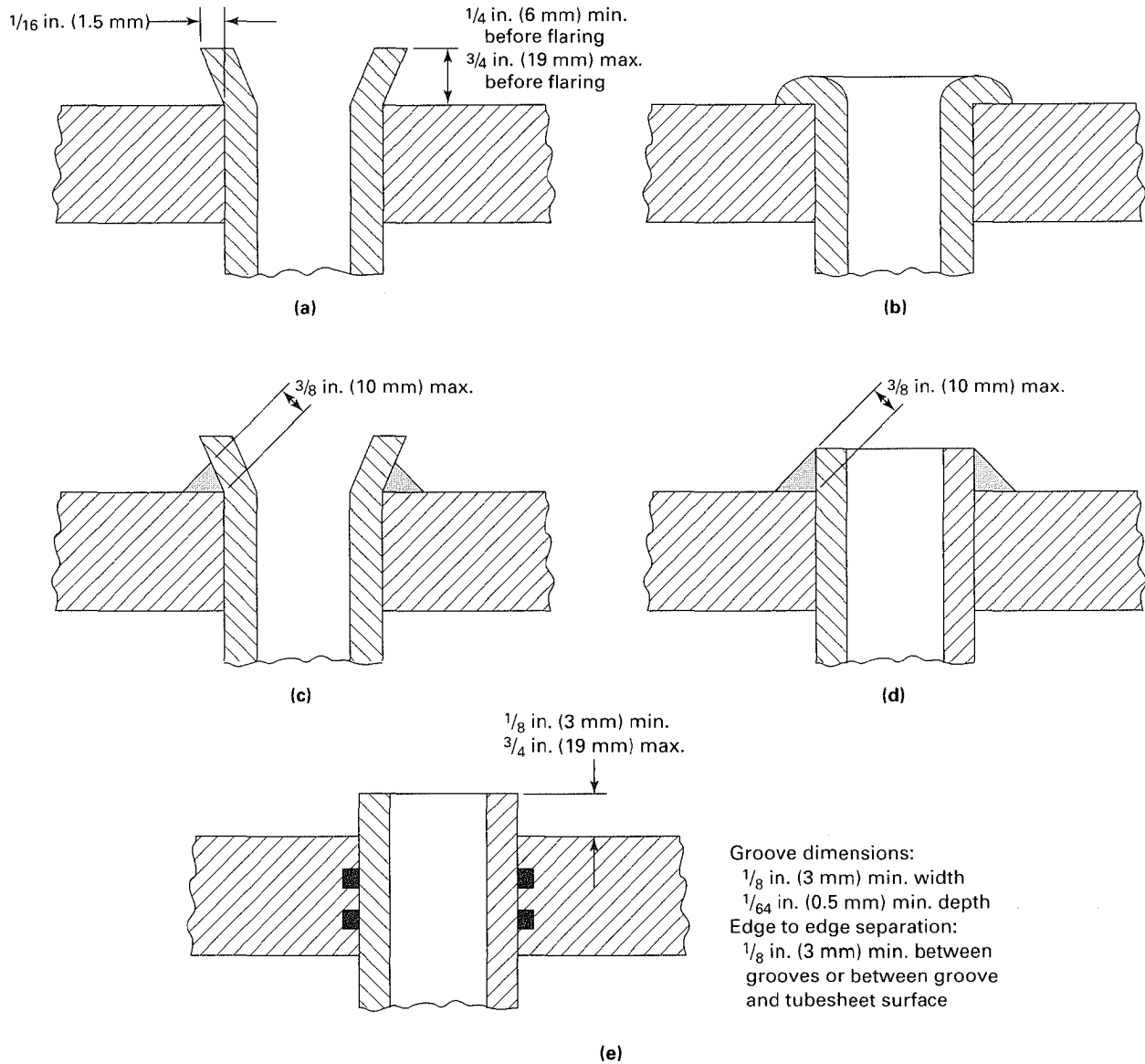
**PWT-11.1** Tubes may be attached by expanding, flaring, beading, and seal welding in the following combinations illustrated in Fig. PWT-11:

- (a) expanded and flared [illustration (a)]
- (b) expanded and beaded [illustration (b)]
- (c) expanded, flared, seal welded, and re-expanded after welding [illustration (c)]
- (d) expanded, seal welded, and re-expanded after welding or seal welded and expanded after welding [illustration (d)] or
- (e) expanded only, in tubesheets having a thickness not less than  $\frac{5}{8}$  in. (16 mm), where the tube holes contain one or more grooves, as shown in Fig. PWT-11. Tube hole grooves may have either a rounded or square profile.

The end of all tubes that are flared shall project through the tubesheet or header not less than  $\frac{1}{4}$  in. (6 mm) nor more than  $\frac{3}{4}$  in. (19 mm) before flaring. Where tubes enter at an angle, the maximum limit of  $\frac{3}{4}$  in. (19 mm) shall apply only at the point of least projection. Tubes that are expanded and flared without seal welding shall be flared to an outside diameter of at least  $\frac{1}{8}$  in. (3.0 mm) greater than the diameter of the tube hole. For tubes that are seal welded, the maximum throat of seal welds shall be  $\frac{3}{8}$  in. (10 mm). Tubes which are only expanded into grooved tube holes shall project through the tubesheet or header not less than  $\frac{1}{8}$  in. (3 mm) but not more than  $\frac{3}{4}$  in. (19 mm).

**PWT-11.2** Superheater, reheater, waterwall, or economizer tubes may be welded to tubular manifolds, headers, or drums and tube ends or weld necks may be welded to drums, all without expanding or flaring, provided the connections comply with the requirements of PW-15 and

FIG. PWT-11 EXAMPLES OF ACCEPTABLE FORMS OF TUBE ATTACHMENT



PW-16. The welds shall be postweld heat treated when required by PW-39.

**PWT-11.3** Pipe used for tubes as provided in PWT-9.2 may be attached by threading instead of expanding and flaring, provided the requirements in PG-39.5 are conformed to.

**PWT-11.4** Watertubes not exceeding 2 in. (50 mm) O.D. may be welded to tapered ferrules that are attached to the drum by a driven interference fit. In addition to the interference fit, the ferrules shall be held in place by retainer clamps attached to the drum with stud bolts. Welded stud bolts shall comply with PW-27.2 and PW-28.6. When tapped holes are provided for the studs, the stud bolts shall

comply with PG-39.4. The minimum cross-sectional area of the remaining studs shall be determined by the following equation, but shall not be less than that of a 3/8 in. (10 mm) stud.

$$A = 0.25\pi D^2 NP/S$$

where

- A = the root area of the stud
- D = the outside diameter of the ferrule at the inside surface of the drum
- N = the number of fittings retained by the stud
- P = the design pressure
- S = the allowable stress of the stud material at its design temperature

FIG. PWT-12.1 BOX-TYPE HEADER JOINT

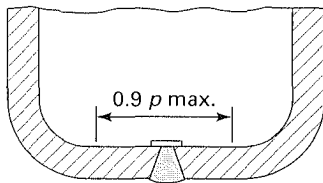
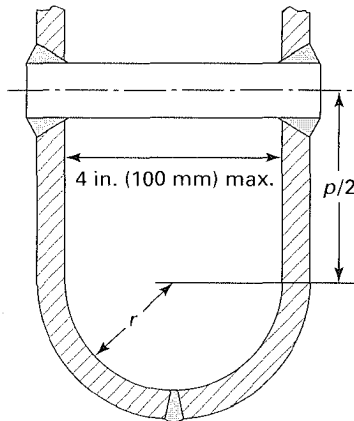


FIG. PWT-12.2 METHOD OF FORMING WATERLEG JOINTS BY WELDING

**PWT-12 STAYBOLTING BOX-TYPE HEADERS**

The front and back sheets of staybolted box-type headers may be joined together by welding, provided

**PWT-12.1** The flat portion in the trough of the header as shown in Fig. PWT-12.1 does not exceed 90% of the allowable staybolt pitch permitted by PG-46, the weld is radiographed, and the welded structure is postweld heat treated or

- (10) **PWT-12.2** The inside width of the waterleg does not exceed 4 in. (100 mm) (Fig. PWT-12.2), the distance from the weld to the nearest row of staybolts is not more than

$$(p/2 + r)$$

where

$p$  = pitch permitted by PG-46

$r$  = radius of waterleg bottom curvature, in. [not to exceed 2 in. (50 mm)]

The design pressure does not exceed 200 psi (1.5 MPa), the welded joint is not exposed to the products of combustion, and the welded structure is postweld heat treated. Volumetric examination is not required.

**PWT-13 STAYING SEGMENT OF HEADS**

The rules in PFT-25.2 shall be used to determine if staying is required.

**PWT-14 FIRING DOORS**

A watertube boiler shall have the firing doors of the inward-opening type, unless such doors are provided with substantial and effective latching or fastening devices or otherwise so constructed as to prevent them, when closed, from being blown open by pressure on the furnace side.

These latches or fastenings shall be of the positive self-locking type. Friction contacts, latches, or bolts actuated by springs shall not be used. The foregoing requirements for latches or fastenings shall not apply to coal openings of downdraft or similar furnaces.

All other doors, except explosion doors, not used in the firing of the boiler may be provided with bolts or fastenings in lieu of self-locking latching devices.

Explosion doors, if used and if located in the setting walls within 7 ft (2.1 m) of the firing floor or operating platform, shall be provided with substantial deflectors to divert the blast.

**PWT-15 ACCESS AND FIRING DOORS**

The minimum size of an access or fire door opening, in which the minimum furnace dimension is 24 in. (600 mm), shall be not less than 12 in.  $\times$  16 in. (300 mm  $\times$  410 mm) or equivalent area, 11 in. (280 mm) to be the least dimension in any case. A circular opening shall be not less than 15 in. (380 mm) in diameter.

For furnace dimensions less than 24 in. (600 mm), the opening should be 2 $\frac{3}{4}$  in.  $\times$  3 $\frac{1}{2}$  in. (70 mm  $\times$  89 mm) or larger where possible. In cases where the size or shape of the boiler prohibits an opening of that size, two openings with a minimum size of 1 in. (25 mm) may be used, preferably opposite each other, to permit inspection and cleaning of the furnace. If the burner is removable so as to permit inspection and cleaning through the burner opening, a separate access opening need not be provided.



# PART PFT

## REQUIREMENTS FOR FIRETUBE BOILERS

### GENERAL

#### PFT-1 GENERAL

The rules in Part PFT are applicable to firetube boilers and parts thereof and shall be used in conjunction with the general requirements in Part PG as well as with the specific requirements in the applicable Parts of this Section that apply to the method of fabrication used.

### MATERIALS

#### PFT-5 GENERAL

**PFT-5.1** Materials used in the construction of pressure parts for firetube boilers shall conform to one of the specifications given in Section II and shall be limited to those for which allowable stress values are given in Tables 1A and 1B of Section II, Part D, or as otherwise specifically permitted in Parts PG and PFT.

**PFT-5.2** Waterleg and doorframe rings of vertical firetube boilers and of locomotive and other type boilers shall be of wrought iron or steel or cast steel as designated in the SA-216. The ogee or other flanged construction may be used as a substitute in any case.

### DESIGN

#### PFT-8 GENERAL

The rules in the following paragraphs apply specifically to the design of firetube boilers and parts thereof and shall be used in conjunction with the general requirements for design in Part PG as well as with the specific requirements for design in the applicable Parts of this Section that apply to the method of fabrication used.

#### PFT-9 THICKNESS REQUIREMENTS

**PFT-9.1 Shell and Dome.** The thickness after forming shall be as determined in accordance with the rules in Part PG.

##### PFT-9.2 Tubesheet

**PFT-9.2.1** The thickness shall be as determined in accordance with Part PG and Part PFT.

**PFT-9.2.2** When butt welded to the shell of a firetube boiler, a formed tubesheet with a straight flange longer than  $1\frac{1}{2}$  times the tubesheet thickness shall have a straight flange thickness not less than 0.75 times the thickness of the shell to which it is attached.

#### PFT-10 SHELL JOINTS

Longitudinal and circumferential welded joints of a shell or drum shall comply with the rules in Part PW.

#### PFT-11 ATTACHMENT OF HEADS AND TUBESHEETS

Flat heads and tubesheets of firetube boilers shall be attached by one of the following methods:

**PFT-11.2** By flanging and butt welding in accordance with Parts PG and PW.

**PFT-11.3** By attaching an outwardly or inwardly flanged tubesheet to the shell by fillet welding provided the following requirements are met:

**PFT-11.3.1** The tubesheet is supported by tubes, or stays, or both.

**PFT-11.3.2** The joint attaching an outwardly flanged tubesheet is wholly within the shell and forms no part thereof.

**PFT-11.3.3** Inwardly flanged tubesheets are full fillet welded inside and outside.

**PFT-11.3.4** The throat dimension of the full fillet weld is equal to not less than 0.7 of the thickness of the head.

**PFT-11.3.6** The construction conforms in all other respects to the requirements of this Section, including welding and postweld heat treating, except that volumetric examination is not required. (10)

**PFT-11.3.7** This construction shall not be used on the rear head of a horizontal-return tubular boiler and inwardly flanged tubesheets shall not be used on a boiler with an extended shell.

**PFT-11.3.8** On inwardly flanged tubesheets, the length of flange shall conform to the requirements of

PW-13 and the distance of the outside fillet weld to the point of tangency of the knuckle radius shall be not less than  $\frac{1}{4}$  in. (6 mm).

**PFT-11.4** By attaching an unflanged tubesheet to the shell by welding, provided the requirements of PFT-11.4.1 through PFT-11.4.7 are met

**PFT-11.4.1** The tubesheet is supported by tubes, or stays, or both.

**PFT-11.4.2** The welded joint may be made through the tubesheet or shell thickness. When the weld joint is made through the shell, a minimum of 80% of the pressure load shall be carried by the tubes, stays, or both.

**PFT-11.4.3** The weld is a full penetration weld equal at least to the full thickness of the base metal applied from either or both sides. When the full penetration weld is made through the shell, an external fillet weld with a minimum throat of  $\frac{1}{4}$  in. (6 mm) shall be provided, and no weld prep machining shall be performed on the flat tubesheet. The distance from the edge of the completed weld to the peripheral edge of the tubesheet shall not be less than the thickness of the tubesheet.

**PFT-11.4.4** The shell or wrapper sheet, where exposed to primary furnace gases<sup>1</sup> and not water cooled, does not extend more than  $\frac{1}{8}$  in. (3 mm) beyond the outside face of the tubesheet.

**PFT-11.4.5** The weld attaching a furnace or a lower tubesheet of a vertical firetube boiler to the furnace sheet is wholly within the furnace sheet and is ground flush with the upper or water side of the tubesheet.

(10) **PFT-11.4.6** The construction conforms in all other aspects to the requirements of this Section including welding, and postweld heat treatment, except that volumetric examination is not required.

**PFT-11.4.7** This construction shall not be used on the rear head of a horizontal-return tubular boiler.

## PFT-12 TUBES

### PFT-12.1 Allowable Working Pressure

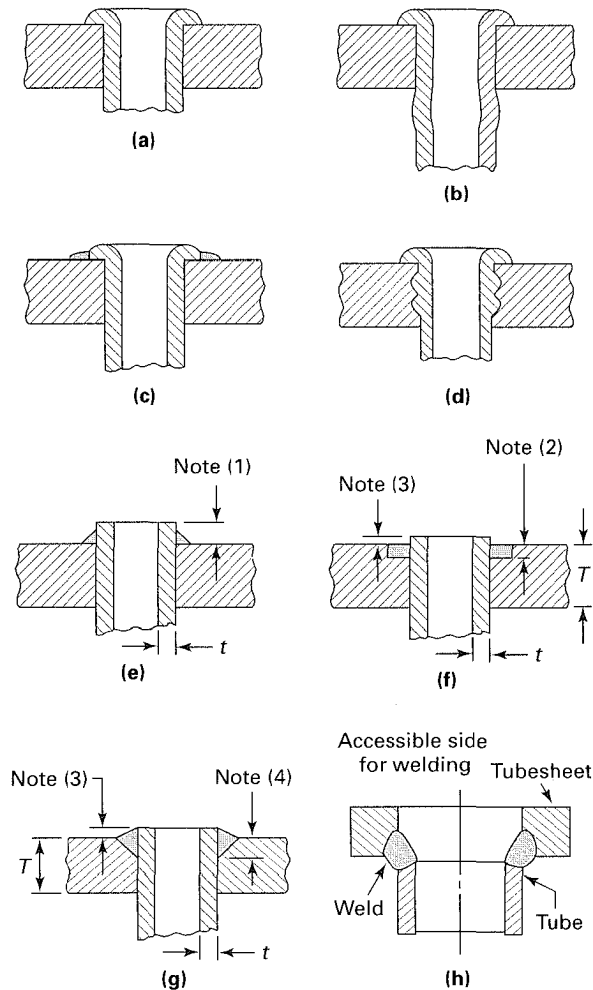
**PFT-12.1.1** The maximum allowable working pressure of tubes or flues of firetube boilers shall be as given in PFT-50 and PFT-51.

**PFT-12.1.2** The maximum allowable working pressure for copper tubes or nipples subjected to internal or external pressure shall not exceed 250 psi (1.7 MPa). The maximum temperature shall not exceed 406°F (208°C).

The maximum allowable working pressure for copper-clad tubes subjected to external pressure shall be determined by the formula in PFT-51, in which  $t$  may be increased by one-half the thickness of the cladding.

<sup>1</sup> Primary furnace gases are those in a zone where the design temperature of those gases exceeds 850°F (455°C).

FIG. PFT-12.1 SOME ACCEPTABLE FORMS OF TUBE ATTACHMENT ON FIRETUBE BOILERS



#### NOTES:

- (1) Not less than  $t$  or  $\frac{1}{8}$  in. (3 mm), whichever is the greater, nor more than  $2t$  or  $\frac{1}{4}$  in. (6 mm), whichever is the lesser.
- (2) Not less than  $t$  or  $\frac{1}{8}$  in. (3 mm), whichever is the greater, nor more than  $7/3$  (see PFT-12.2.1.2).
- (3) Not more than  $t$ .
- (4) Not less than  $t$  or  $\frac{1}{8}$  in. (3 mm), whichever is the greater, nor more than  $7/3$  (see PFT-12.2.1.2).

### PFT-12.2 Attachment of Tubes

**PFT-12.2.1** Figure PFT-12.1 illustrates some of the acceptable types of tube attachments. Such connections shall be

- (a) expanded and beaded as in illustrations (a), (b), and (d)
- (b) expanded and beaded and seal welded as in illustration (c)
- (c) expanded and seal welded as in illustration (e)
- (d) welded, as in illustrations (f) and (g)

Tube ends attached by expanding and welding are subject to the provisions specified in PFT-12.2.1.1 through PFT-12.2.1.3.

**PFT-12.2.1.1** Where no bevel or recess is employed, the tube shall extend beyond the tubesheet not less than a distance equal to the tube thickness or  $\frac{1}{8}$  in. (3 mm), whichever is the greater, nor more than twice the tube thickness or  $\frac{1}{4}$  in. (6 mm), whichever is the lesser [see Fig. PFT-12.1, illustration (e)].

**PFT-12.2.1.2** The tubesheet hole may be beveled or recessed. The depth of any bevel or recess shall not be less than the tube thickness or  $\frac{1}{8}$  in. (3 mm), whichever is greater, nor more than one-third of the tubesheet thickness, except that when tube thicknesses are equal to or greater than 0.150 in. (4 mm), the bevel or recess may exceed  $T/3$ . Where the hole is beveled or recessed, the projection of the tube beyond the tubesheet shall not exceed a distance equal to the tube wall thickness [see Fig. PFT-12.1, illustrations (f) and (g)].

**PFT-12.2.1.3** On types of welded attachment shown in Fig. PFT-12.1, illustrations (c) and (e), the tubes shall be expanded before and after welding. On types shown in illustrations (f) and (g), the tubes may be expanded.

**PFT-12.2.2** Expanding of tubes by the Prosser method may be employed in combination with any beaded or seal welded attachment method [see Fig. PFT-12.1, illustration (b)].

**PFT-12.2.3** After seal welding as shown by Fig. PFT-12.1, illustrations (c) and (e), a single hydrostatic test of the boiler shall suffice.

**PFT-12.2.4** The inner surface of the tube hole in any form of attachment may be grooved or chamfered.

**PFT-12.2.5** The sharp edges of tube holes shall be taken off on both sides of the plate with a file or other tool.

**PFT-12.2.6** Welded tube attachments as shown by Fig. PFT-12.1, illustration (h), may be made with partial or no insertion of the tube into the flat tubesheet. The following requirements shall be met for these attachments:

(a) The tube and tubesheet materials shall be restricted to P-No. 1, P-No. 3, or P-No. 4 materials.

(b) The maximum design temperature at the weld joint shall not exceed 700°F (370°C).

(c) The weld shall be a full-penetration weld made from the I.D. of the tube. The throat of the weld shall be equal to or greater than the thickness of the tube. The root pass shall be made using the GTAW process.

(d) PWHT per PW-39 is mandatory. The exemptions to PWHT noted in Table PW-39 shall not apply.

(e) In addition to meeting the performance qualification requirements of Section IX, before making a production weld each welder and welding operator shall demonstrate

his or her ability to achieve complete weld penetration and minimum thickness by successfully welding six test pieces. The test pieces shall be welded in a mockup of the production weld. The mockup shall be of identical position, dimensions, and materials as that of the production weld. The test pieces shall be visually examined to verify complete penetration and sectioned to verify minimum weld thickness. The results shall be recorded and maintained with the performance qualification record.

(f) Each weld surface on the tube I.D. shall receive either a magnetic particle or liquid penetrant examination in accordance with A-260 or A-270 of Appendix A, as applicable. In addition, a visual examination of the weld surface on the tube O.D. shall be performed. The maximum practicable number of these welds, but in no case fewer than 50%, shall be visually examined. Visual examination shall show complete penetration of the joint root and freedom from cracks.

## COMBUSTION CHAMBERS

### PFT-13 COMBUSTION CHAMBER TUBESHEET

**PFT-13.1** The maximum allowable working pressure on a tubesheet of a combustion chamber, where the crown sheet is not suspended from the shell of the boiler, shall be determined by the following equation:

(U.S. Customary Units)

$$P = 27,000 \frac{t(D-d)}{WD}$$

(SI Units)

$$P = 186 \frac{t(D-d)}{WD}$$

where

$D$  = least horizontal distance between tube centers on a horizontal row

$d$  = inside diameter of tubes

$P$  = maximum allowable working pressure

$t$  = thickness of tubesheet

$W$  = distance from the tubesheet to opposite combustion chamber sheet

Where tubes are staggered, the vertical distance between the center lines of tubes in adjacent rows must not be less than

$$1/2 \sqrt{2dD + d^2}$$

*Example:* Required the maximum allowable working pressure of a tubesheet supporting a crown sheet stayed by crown bars. Horizontal distance between centers,  $4\frac{1}{8}$  in.; inside diameter of tubes, 2.782 in.; thickness of tubesheets

$\frac{1}{16}$  in.; distance from tubesheet to opposite combustion-chamber sheet,  $3\frac{1}{4}$  in.; measured from outside of tubesheet to outside of back plate; material, steel. Substituting and solving the following equation:

$$P = \frac{(4.125 - 2.782) \times 0.6875 \times 27,000}{34.25 \times 4.125} = 176 \text{ psi}$$

**PFT-13.2** Sling stays may be used in place of girders in all cases covered in PFT-13.1, provided, however, that when such sling stays are used, girders or screw stays of the same sectional area shall be used for securing the bottom of the combustion chamber to the boiler shell.

**PFT-13.3** When girders are dispensed with and the top and bottom of combustion chambers are secured by sling stays, the sectional area of such stays shall conform to the requirements of rules for stayed surfaces.

#### PFT-14 GENERAL

(10) **PFT-14.1** Furnaces may be constructed using seamless pipe, electric resistance welded pipe within the limitations of PG-9.5, or fusion welded plate of the double welded butt type. A sample of the longitudinal weld, made with the addition of filler metal, of each section of a furnace shall be subjected to a bend test in accordance with PW-53. No volumetric examination of the longitudinal or circumferential welds is required.

(10) **PFT-14.2** When the longitudinal joint will be subjected to complete volumetric examination in accordance with PW-51 or PW-52, the individual bend test for each section of the furnace is not required.

#### PFT-15 PLAIN CIRCULAR FURNACES

**PFT-15.1** Plain circular furnaces may be made up to any length, using sections where desired. The thickness may not be less than  $\frac{5}{16}$  in. (8 mm).

**PFT-15.2** The maximum allowable working pressure shall be determined in accordance with PFT-51.

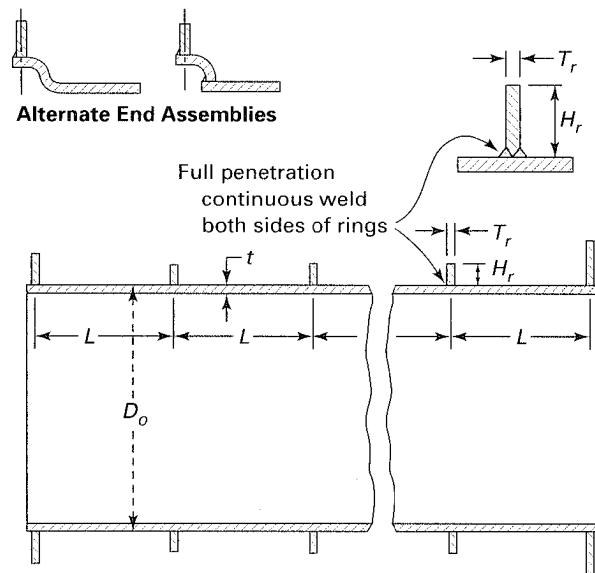
#### PFT-17 RING-REINFORCED TYPE

Horizontal cylindrical flues or furnaces (Fig. PFT-17.2) may be constructed with circular stiffening rings, provided the requirements of PFT-17.1 through PFT-17.11.1 are met.

**PFT-17.1** The stiffening ring is rectangular in cross section and is fabricated from one piece of plate, or from plate sections or bars provided full penetration welds are used in assembling.

**PFT-17.2** The stiffening ring after fabrication has a thickness of not less than  $\frac{5}{16}$  in. (8 mm) and not more than

FIG. PFT-17.2 ACCEPTABLE TYPE OF RING-REINFORCED FURNACE



$\frac{13}{16}$  in. (21 mm) and in no case thicker than  $1\frac{1}{4}$  times the furnace wall thickness.

**PFT-17.3** The ratio of the height of the stiffening ring to its thickness,  $H_r/T_r$ , is not greater than 8 nor less than 3.

**PFT-17.4** The stiffening ring is attached to the furnace by a full penetration weld on each side.

**PFT-17.5** The thickness of the furnace wall or flue is a minimum of  $\frac{5}{16}$  in. (8 mm).

**PFT-17.6** The spacing  $L$  of the rings on the furnace is not greater than  $60t$  or 36 in. (900 mm), whichever is smaller.

**PFT-17.8** The boiler design permits replacement of the furnace. A flared or welded ogee ring is an acceptable type of assembly.

**PFT-17.10** The maximum allowable working pressure shall be determined in accordance with PFT-51.

**PFT-17.11** The design of stiffening rings is determined by the use of the symbols given in PFT-51, and the equation given in this paragraph.

**PFT-17.11.1** The moment of inertia for a stiffening ring shall be determined by the following procedure.

Step 1: Assuming that the furnace has been designed and  $D_o$ ,  $L_s$ , and  $t$  are known, select a rectangular member to be used for a stiffening ring and determine its area  $A_s$  and its moment of inertia  $I$ . Then calculate  $B$  by the following equation:

$$B = \frac{PD_o}{t + (A_s/L_s)}$$

where  $B$  = factor on the right-hand side of the applicable chart in Section II, Part D.

- Step 2: Enter the right-hand side of the chart at the value of  $B$  determined in Step 1.
- Step 3: Follow horizontally to the material line for the correct temperature.
- Step 4: Move down vertically to the bottom of the chart and read the value of  $A$ .
- Step 5: Compute the value of the required moment of inertia  $I_s$  by the following equation:

$$I_s = \frac{D_o^2 L_s [t + (A_s/L_s)] A}{14}$$

- Step 6: If the required  $I_s$  is greater than the moment of inertia  $I$  for the section selected in Step 1, select a new section with a larger moment of inertia and determine a new value of  $I_s$ .

If the required  $I_s$  is smaller than  $I$  for the section selected in Step 1, that section should be satisfactory.

**PFT-18 CORRUGATED FURNACES**

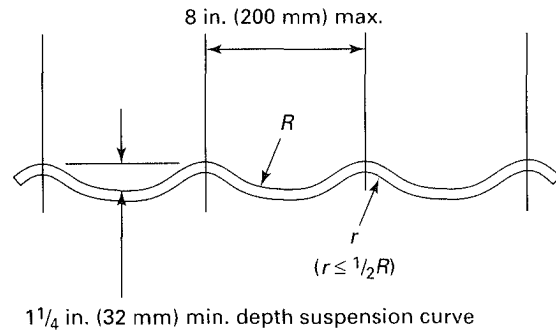
**PFT-18.1** The maximum allowable working pressure on corrugated furnaces, such as the Leeds suspension bulb, Morison, Fox, Purves, or Brown, having plain portions at the ends not exceeding 9 in. (230 mm) in length (except flues especially provided for), when new and practically circular, shall be computed as follows:

$$P = C t / D$$

where

- $C = 17,300$  (119), a constant for Leeds furnaces, when corrugations are not more than 8 in. (200 mm) from center to center and not less than  $2\frac{1}{4}$  in. (57 mm) deep
- $= 15,600$  (108), a constant for Morison furnaces, when corrugations are not more than 8 in. (200 mm) from center to center and not less than  $1\frac{1}{4}$  in. (32 mm) deep, and the radius of the outer corrugation  $r$ , is not more than one-half of the radius of the suspension curve  $R$  (see Fig. PFT-18.1)
- $= 14,000$  (97), a constant for Fox furnaces, when corrugations are not more than 8 in. (200 mm) from center to center and not less than  $1\frac{1}{2}$  in. (38 mm) deep
- $= 14,000$  (97), a constant for Purves furnaces, when rib projections are not more than 9 in. (230 mm) from center to center and not less than  $1\frac{3}{8}$  in. (35 mm) deep
- $= 14,000$  (97), a constant for Brown furnaces, when corrugations are not more than 9 in. (230 mm)

FIG. PFT-18.1 MORISON FURNACE



-----  $\zeta$

from center to center and not less than  $1\frac{5}{8}$  in. (41 mm) deep

$D$  = mean diameter

$P$  = maximum allowable working pressure

$t$  = thickness, not less than  $\frac{5}{16}$  in. (8 mm) for Leeds, Morison, Fox, and Brown, and not less than  $\frac{7}{16}$  in. (11 mm) for Purves furnaces

In calculating the mean diameter of the Morison furnace, the least inside diameter plus 2 in. (50 mm) may be taken as the mean diameter.

**PFT-18.2** The thickness of a corrugated or ribbed furnace shall be ascertained by actual measurement by the furnace manufacturer, by gaging the thickness of the corrugated portions. For the Brown and Purves furnaces, the measuring point shall be in the center of the second flat; for the Morison, Fox, and other similar types, in the center of the top corrugation, at least as far in as the fourth corrugation from the end of the furnace.

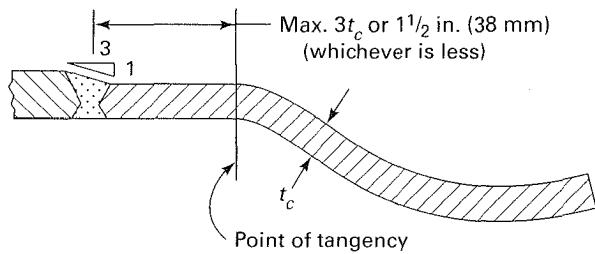
**PFT-19 COMBINED PLAIN CIRCULAR AND CORRUGATED TYPE**

Combination type furnaces for external pressure may be constructed by combining a plain circular section and a corrugated section provided

**PFT-19.1** Each type of furnace is designed to be self-supporting, requiring no support from the other furnace at their point of connection.

**PFT-19.2** Paragraphs PFT-51 and PFT-15 are used for calculating the maximum allowable working pressure of the plain section. In applying the length in the text, or  $L$  in the formulas, the value used shall always be twice the actual length of the plain section. The actual length of the plain section is the distance measured from the center line of the head attachment weld to the center line of the full penetration weld joining the two sections.

FIG. PFT-19 CONNECTION BETWEEN PLAIN AND CORRUGATED FURNACE



**PFT-19.3** The maximum allowable working pressure of the corrugated section shall be determined from PFT-18.

**PFT-19.4** The full penetration weld joining a plain self-supporting section to a corrugated self-supporting section shall be located as shown in Fig. PFT-19.

## PFT-20 ATTACHMENT OF FURNACES

**PFT-20.2 Fillet Welded Construction.** In a scotch type boiler, a furnace may be attached to an outwardly flanged opening in a front tubesheet by a circumferential fillet weld, or a furnace may be attached to either tubesheet by flaring the end that extends beyond the outside face of the head to an angle of 20 deg to 30 deg, and using a circumferential fillet weld, provided the requirements of PFT-20.2.1 through PFT-20.2.5 are met.

**PFT-20.2.1** The area of the head around the furnace is stayed by tubes, stays, or both in accordance with the requirements of this Section.

**PFT-20.2.2** The joint is wholly outside the furnace.

**PFT-20.2.3** The throat dimension of the full fillet weld is not less than 0.7 times the thickness of the head.

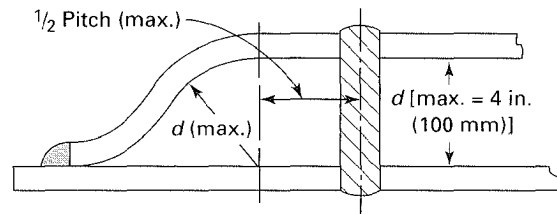
**PFT-20.2.4** Unless protected by refractory material, the furnace does not extend beyond the outside face of the tubesheet a distance greater than the thickness of the tubesheet. Any excess shall be removed before welding.

(10) **PFT-20.2.5** The construction conforms in all other respects to the requirements of this Section including welding and postweld heat treating, except that volumetric examination is not required.

**PFT-20.3 Full Penetration Weld Construction.** A furnace may be attached by a full penetration weld with the furnace extending at least through the full thickness of the tubesheet but not beyond the toe of the weld, and the toe shall not project beyond the face of the tubesheet by more than  $\frac{3}{8}$  in. (10 mm) unless protected from overheating by refractory material or other means.

**PFT-20.4 Throat Sheets.** Throat sheets and inside and outside front furnace sheets when fully stayed may be attached as required in PFT-11.4.

FIG. PFT-20 WELDING OGEE RING



**PFT-20.5 Furnace Sheets Attached by Welding.** Vertical firetube boilers may be constructed by welding the ogee bottom of the furnace sheet to the outside shell as shown in Fig. PFT-20, provided the requirements of PFT-20.5.1 through PFT-20.5.7 are met.

**PFT-20.5.1** The tube or crown sheet is fully supported by tubes, or stays, or both.

**PFT-20.5.2** The joint is wholly within the shell and forms no part thereof.

**PFT-20.5.3** The weld is not in contact with primary furnace gases.<sup>2</sup>

**PFT-20.5.4** The throat dimension of the full fillet weld is not less than 0.7 times the thickness of the furnace sheet.

**PFT-20.5.5** The maximum depth of the waterleg does not exceed 4 in. (100 mm), and the radius of the ogee is not greater than the inside width of the waterleg.

**PFT-20.5.6** The pitch of the lower row of staybolts meets the requirements of PFT-27.5.

**PFT-20.5.7** The construction conforms in all other respects to Code requirements including welding and post-weld heat treating, except that volumetric examination is not required. (10)

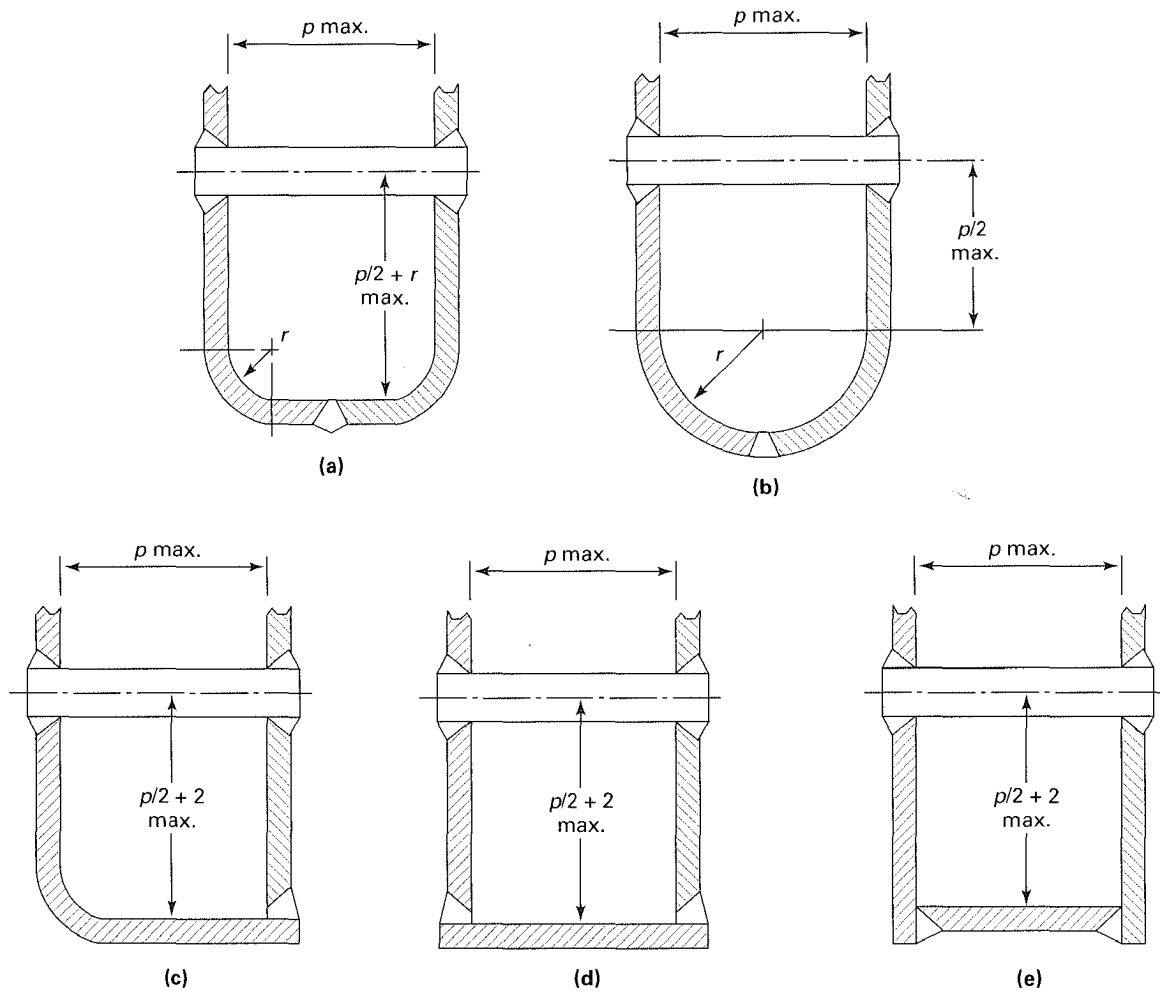
## PFT-21 FIREBOXES AND WATERLEGS

**PFT-21.1** The width of waterlegs at the mudring in vertical firetube and firebox boilers shall not exceed the maximum allowable pitch calculated using eq. (1) of PG-46, using 2.1 or 2.2 for the value of  $C$  depending on the plate thickness. The bottom edges of the plates forming a waterleg may be joined by flanging one or both plates as shown in Fig. PFT-21, illustrations (a) through (c). Similar construction details are acceptable, provided the pitch and waterleg width requirements are met.

**PFT-21.2** As an alternative, the bottom edges of the plates forming a waterleg may be joined using a flat plate, or mudring, attached between the waterleg sides as shown

<sup>2</sup> Primary furnace gases are those in a zone where the design temperature of those gases exceeds 850°F (455°C).

FIG. PFT-21 SOME ACCEPTABLE METHODS OF FORMING WATERLEG JOINTS BY WELDING



in Fig. PFT-21, illustrations (d) and (e). The required thickness of the mudring shall be calculated using eq. (1) of PG-46, using 2.1 or 2.2 for the value of  $C$ , depending on the plate thickness, and a value of  $p$  equal to the waterleg inside width, but shall be not less than  $\frac{1}{2}$  in. (13 mm).

**PFT-21.3** For waterlegs of vertical firetube boilers that are attached to tubesheets or crownsheets, the unstayed distance from a line of support on the tubesheet or crownsheet provided by tubes or stays to the inside surface of the outer wall of the waterleg shall comply with the spacing requirements of PFT-25.2 [see Fig. A-8, illustration (p)].

**STAYED SURFACES**

**PFT-22 GENERAL**

The rules of Parts PG and PW pertaining to stays and stayed surfaces that are applicable to firetube boilers shall be used in conjunction with the following requirements.

**PFT-23 WORKING PRESSURE FOR STAYED CURVED SURFACES**

**PFT-23.1** The maximum allowable working pressure for a stayed curved surface shall be the sum of the pressure as determined in PFT 23.1.1 and the lesser pressure determined from either PFT-23.1.2 or PFT-23.1.3.

**PFT-23.1.1** The maximum working pressure computed without allowing for the holding power of the stays, due allowance being made for the weakening effect of any holes provided for construction.

**PFT-23.1.2** The maximum working pressure obtained by the equation given in PG-46 using 1.3 for the value of  $C$ .

**PFT-23.1.3** The maximum working pressure obtained by the following equation:

$$P_1 = \frac{A_1 S}{A_2}$$

where

- $A_1$  = cross-sectional area of stay
- $A_2$  = maximum area supported by stay
- $P_1$  = pressure corresponding to the strength of the stay
- $S$  = allowable stress of stay as given in Table 1A of Section II, Part D

**PFT-23.2** The maximum allowable working pressure for a stayed wrapper sheet of a locomotive-type boiler shall be the lesser of the value obtained in PFT-23.1 or the value obtained in the following equation:

$$P = \frac{SE}{R - \sum(s \times \sin a)}$$

where

- $a$  = angle any crown stay makes with the vertical axis of boiler
- $E$  = minimum efficiency of wrapper sheet through joints or stay holes
- $P$  = maximum allowable working pressure
- $R$  = radius of wrapper sheet
- $S$  = allowable stress as given in Table 1A of Section II, Part D
- $s$  = transverse spacing of crown stays in the crown sheet
- $t$  = thickness of wrapper sheet
- $\sum (s \times \sin a)$  = summated value of transverse spacing for all crown stays considered in one transverse plane and on one side of the vertical axis of the boiler

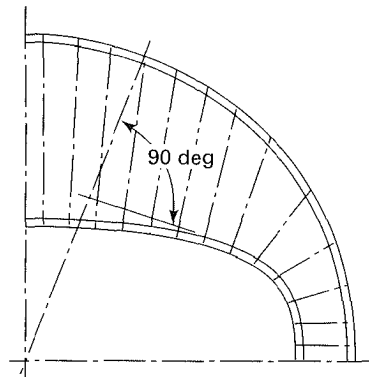
The above equation applies to the longitudinal center section of the wrapper sheet, and in cases where  $E$  is reduced at another section, the maximum allowable working pressure based on the strength at that section may be increased in the proportion that the distance from the wrapper sheet to the top of the crown sheet at the center bears to the distance measured on a radial line through the other section, from the wrapper sheet to a line tangent to the crown sheet and at right angles to the radial lines (see Fig. PFT-23.1).

**PFT-23.3 Furnaces of Vertical Boilers.** In a vertical firetube boiler, the furnace length, for the purpose of calculating its strength and spacing staybolts over its surface, shall be measured from the fire side face of flat tubesheets or the point of tangency of flanged tubesheets to the inside of the lower mud ring.

**PFT-23.3.1** A furnace for a vertical firetube boiler 38 in. (970 mm) or less in outside diameter that requires staying shall have the furnace sheet supported by one or more rows of staybolts, the circumferential pitch not to exceed 1.05 times that given by the equation in PG-46.

The longitudinal pitch between the staybolts shall not exceed that given by the following equation:

FIG. PFT-23.1 STAYED WRAPPER SHEET OF LOCOMOTIVE-TYPE BOILER



(U.S. Customary Units)

$$L = \left( \frac{56,320t^2}{PR} \right)^2$$

(SI Units)

$$L = \left( \frac{77.05t^2}{PR} \right)^2$$

where

- $L$  = longitudinal pitch of staybolts
- $P$  = maximum allowable working pressure
- $R$  = outside radius of furnace
- $t$  = thickness of furnace sheet

When values by this formula are less than the circumferential pitch, the longitudinal pitch may be as large as the allowable circumferential pitch.

The stress in the staybolts shall not exceed the allowable stress given in Table 1A of Section II, Part D, and determined by PFT-26.1.

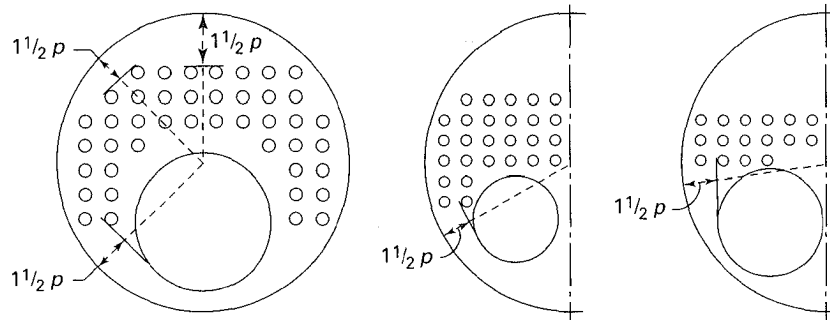
**PFT-23.3.2** In furnaces over 38 in. (970 mm) in outside diameter and combustion chambers not covered by special rules in this Section, which have curved sheets subject to pressure on the convex side, neither the circumferential nor longitudinal pitches of the staybolts shall exceed 1.05 times that given by the rules in PG-46.

**PFT-23.4** Upper combustion chambers of vertical submerged tubular boilers made in the shape of a frustrum of a cone when not over 38 in. (970 mm) in outside diameter at the large end may be used without stays if computed by the rule for plain cylindrical furnaces in PFT-14, making  $D$  in the formula equal to the outside diameter at the large end, provided that the longitudinal joint conforms to the requirements of PFT-14.

**PFT-23.5** For furnaces of PFT 23.4 when over 38 in. (970 mm) in outside diameter at the large end, that portion which is over 30 in. (760 mm) in diameter shall be fully



FIG. PFT-25 EXAMPLE OF STAYING OF HEADS  
ADJACENT TO CYLINDRICAL FURNACES



supported by staybolts, and PFT-23.3.2 shall apply. The top row of staybolts shall be at a point where the cone top is 30 in. (760 mm) or less in diameter.

In calculating the pressure permissible on the unstayed portion of the cone, the vertical distance between the horizontal planes passing through the cone top and through the center of the top row of staybolts shall be taken as  $L$  in PFT-51.  $D_o$  in PFT-51 shall be taken as the inside diameter at the center of the top row of staybolts.

#### PFT-24 STAYING HORIZONTAL RETURN TUBE BOILERS

When stays are required, the portion of the heads below the tubes in a horizontal-return tubular boiler shall be supported by through-stays attached by welding under PW-19 or with nuts inside and outside at the front head and by attachments which distribute the stress at the rear head.

The distance in the clear between the bodies of the stays or of the inside stays where more than two are used shall not be less than 10 in. (250 mm) at any point.

#### PFT-25 STAYING SEGMENTS OF HEADS

**PFT-25.1** A segment of a head shall be stayed by head-to-head through stays or diagonal stays.

**PFT-25.2** Stays shall be used in the tubesheets of a firetube boiler if the distance between the edges of the tube holes exceeds the maximum pitch of staybolts for the corresponding plate thickness and pressure given in PG-46.

Any part of the tubesheet that comes between the tube, furnace, or water-cooled turnaround chamber, and the shell need not be stayed if the greatest distance measured along a radial line from the inner surface of the shell to the center point of tangent to any two tube holes or tube hole and furnace or water-cooled turnaround chamber on the shell side of such holes does not exceed 1.5 times the value of  $p$  obtained by applying the formula of PG-46 with  $C$  equal to 1.8 or 1.9 depending upon the plate thickness. The tube

holes, or tube hole and furnace or water-cooled turnaround chamber (see Fig. PFT-25), to which a common tangent may be drawn in applying this rule, shall not be at a greater distance from edge to edge than the maximum pitch referred to.

#### PFT-26 AREA SUPPORTED BY STAY

**PFT-26.1** The full pitch dimensions of the stays shall be employed in determining the area to be supported by a stay, and the area occupied by the stay shall be deducted therefrom to obtain the net area. The product of the net area in square inches by the maximum allowable working pressure in pounds per square inch gives the load to be supported by the stay.

**PFT-26.2** Where stays come near the outer edge of the surfaces to be stayed and special allowances are made for the spacing, the load to be carried by such stays shall be determined by neglecting the added area provided for by these special allowances.

*Example:* If the maximum pitch by PG-46 would make a staybolt come 6 in. (150 mm) from the edge of the plate and a special allowance would make it come 7 in. (180 mm), the distance of 6 in. (150 mm) shall be used in computing the load to be carried.

#### PFT-27 MAXIMUM SPACING

**PFT-27.1** The maximum distance between the edges of tube holes and the centers of stays shall be  $p$  as determined by the formula in PG-46, using the value of  $C$  given for the thickness of plate and type of stay used.

**PFT-27.2** For a flanged head welded to the shell, the maximum distance between the inner surface of the supporting flange and lines parallel to the surface of the shell passing through the center of the stays shall be  $p$  as determined by the formula in PG-46, plus the inside radius of the supporting flanges, using the  $C$  factor that applies to

the thickness of the head plate and type of stay used [see Fig. A-8, illustrations (i) and (j)].

**PFT-27.3** For unflanged heads, the maximum distance between the inner surface of the shell and the centers of stays shall not be more than one-half the maximum allowable pitch as determined by PG-46, using 2.5 for the value of  $C$ , plus 2 in. (50 mm) [see Fig. A-8, illustration (k)].

**PFT-27.4** The pitch of diagonal stays attached by welding between the shells and tubesheets of horizontal tubular and scotch boilers, and for other stays when the supported plate is not exposed to radiant heat, as determined by PG-46, may be greater than 8½ in. (216 mm), but shall not exceed 15 times the stay diameter.

**PFT-27.5** The pitch of the lower row of staybolts of a vertical firetube boiler, which is required to be stayed by the rules in this Section, and which is fabricated by welding the ogee bottom of the furnace sheet to the outside shell, shall not exceed one-half the maximum allowable pitch as determined by PG-46, measured from the center of the staybolt to the tangent of the ogee (see Fig. PFT-20).

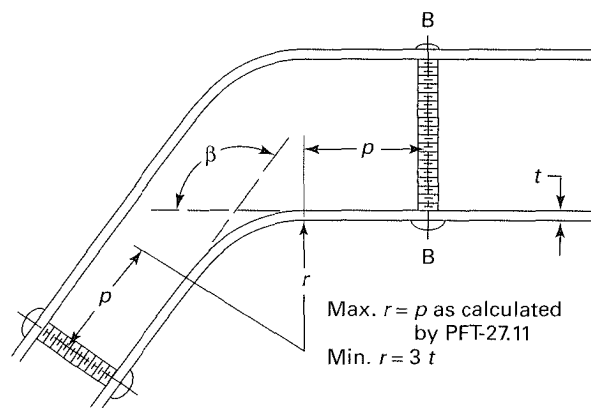
**PFT-27.6** The spacing of staybolts around door holes fabricated by fusion welding of the full penetration type of two-flanged sheets, which are required to be stayed by the rules of this Section (see Fig. PWT-12.2), shall not exceed one-half the maximum allowable pitch determined by PG-46, measured from the center of the staybolt to the points of tangency of the flanges.

**PFT-27.7** If the furnace sheets are required to be stayed by the rules of this Section, the spacing of staybolts around door holes and the spacing of the first row of staybolts from the bottom of a mud ring fabricated by fusion welding of the full penetration type when either or both sheets are not flanged [see Fig. A-8, illustrations (l) through (n)] shall not exceed one-half the maximum pitch determined by PG-46, plus 2 in. (50 mm), measured from the center of the staybolt to the root of the weld.

**PFT-27.8** The maximum distance from the first row of stays to a full penetration weld in compression applied from either or both sides of the tubesheet, attaching the crown sheet of a furnace or combustion chamber to a stayed head or tubesheet shall not exceed the pitch determined by PG-46, measured from the center of the stay to the furnace or combustion chamber side of the head or tubesheet [see Fig. A-8, illustrations (o) and (p)].

**PFT-27.9** When a flanged-in manhole opening with a flange depth of not less than three times the required thickness of the head, or when an unflanged manhole ring meeting the requirements of PG-32 through PG-39 is provided in a flat stayed head of a firetube boiler, as shown in Fig. A-8, illustrations (q) and (r), the load created by the unsupported area of the manway shall be supported by the

FIG. PFT-27 PITCH OF STAYBOLTS ADJACENT TO UPPER CORNERS OF FIREBOXES



GENERAL NOTE: If the radius  $r$  exceeds the pitch, the curved plate shall be stayed as a flat plate in accordance with PG-46.

stays surrounding the manway. When the manway is in close proximity to the shell, the load may be shared by the shell by reducing the area supported by the stays by 100 in.<sup>2</sup> (64 500 mm<sup>2</sup>), provided the requirements of both PFT-27.9.1 and PFT-27.9.2 are met.

**PFT-27.9.1** The distance between the manhole opening and the inside of the shell does not exceed one-half the maximum allowable pitch for an unflanged manhole and one-half the maximum allowable pitch plus the radius of the head flange for a flanged-in manhole in a flanged head.

**PFT-27.9.2** The distance between the centers of the first row of stays, or the edges of tube holes, and the manhole opening does not exceed one-half the maximum allowable pitch as determined by PG-46.

**PFT-27.10** In applying these rules and those in PG-46 to a head or plate having a manhole or reinforced opening, the spacing applies only to the plate around the opening and not across the opening.

**PFT-27.11** For stays at the upper corners of fireboxes, the pitch from the staybolt next to the corner to the point of tangency to the corner curve shall be (see Fig. PFT-27)

$$p = \left[ \frac{90}{\text{Angularity of tangent lines } (\beta)} \right] \sqrt{\frac{C t^2 S}{P}}$$

where

$C$  = factor for the thickness of plate and type of stay used as required in PG-46

$P$  = maximum allowable working pressure

$S$  = maximum allowable stress value given in Table 1A of Section II, Part D

$t$  = thickness of plate  
 $\beta$  = angle, deg

**PFT-28 STAYBOLTS AND STAYS**

**PFT-28.1** The required area at the point of least net cross section of staybolts and stays shall be as given in PG-49. The maximum allowable stress per square inch at point of least net cross-sectional area of staybolts and stays shall be given as in Table 1A of Section II, Part D. In determining the net cross-sectional area of drilled or hollow staybolts, the cross-sectional area of the hole shall be deducted.

**PFT-28.2** The length of the stay between supports shall be measured from the inner faces of the stayed plates. The stresses are based on tension only. For computing stresses in diagonal stays, see PFT-32.

**PFT-28.3** When stay rods are screwed through sheets and riveted over, they shall be supported at intervals not to exceed 6 ft (1.8 m). Stay rods over 6 ft (1.8 mm) in length may be used without support if fitted with nuts and washers or attached by welding under PW-19, provided the least cross-sectional area of the stay rod is not less than that of a circle 1 in. (25 mm) in diameter and the requirements of PG-46.8 are met.

(10) **PFT-29 FLEXIBLE STAYBOLTS**

Flexible-type staybolts having a cover cap welded under the provisions of PW-15 to the outer sheet may be used in the construction of locomotive-type boilers, provided the bolts are hollow-drilled from the threaded end into and partly through the ball head to allow for proper inspection, and so that any breakage is disclosed by leakage at the inner end. These welded joints need not be postweld heat treated or volumetrically examined.

**PFT-30 CROWN BARS AND GIRDER STAYS**

**PFT-30.1** Crown bars and girder stays for tops of combustion chambers and back connections, or wherever used, shall be proportioned to conform to the following equation:

$$P = \frac{Cd^2t}{(W-p)D_1W}$$

where

- $C$  = 7,000 (48) when girder is fitted with one supporting bolt
- = 10,000 (69) when the girder is fitted with two or three supporting bolts
- = 11,000 (76) when the girder is fitted with four or five supporting bolts

- = 11,500 (79) when the girder is fitted with six or seven supporting bolts
- = 12,000 (83) when the girder is fitted with eight or more supporting bolts

- $D_1$  = distance between girders from center to center
- $d$  = depth of girder
- $P$  = maximum allowable working pressure
- $p$  = pitch of supporting bolts
- $t$  = thickness of girder
- $W$  = extreme distance between supports of, in a scotch marine boiler, the distance from the fire side of the tubesheet to the fire side of the back connection plate

*Example:* Given  $W=34$  in.,  $p=7.5$  in.,  $D_1=7.75$  in.,  $d=7.5$  in.,  $t=2$  in.; three stays per girder,  $C=10,000$ ; then substituting in the following equation:

$$P = \frac{10,000 \times 7.5 \times 7.5 \times 2}{(34 - 7.5) \times 7.75 \times 34} = 161.1 \text{ psi}$$

Sling stays, if used between crown bars and boiler shell or wrapper sheet, shall be proportioned so as to carry the entire load without considering the strength of the crown bars.

**PFT-30.2** In a form of reinforcement for crown sheets where the top sheet of the firebox is a semicircle and the top part of the circle not exceeding 120 deg in arc is reinforced by arch bars extending over the top and down below the top row of staybolts at the sides of the furnace beneath the semicircular crown sheet, the maximum allowable working pressure shall be determined by adding to the maximum allowable working pressure for a plain circular furnace of the same thickness, diameter, and length determined by the formula in PFT-51, the pressure  $P_1$  determined from the following equation, which is a modification of the formula in PFT-23:

(U.S. Customary Units)

$$P_1 = 10,000,000 \frac{bd^3}{D_1 D^3}$$

(SI Units)

$$P_1 = 69\,000 \frac{bd^3}{D_1 D^3}$$

where

- $b$  = net width of crown bar
- $D$  = two times the radius of the crown sheet
- $D_1$  = longitudinal spacing of crown bar that shall not exceed twice the maximum allowable staybolt pitch
- $d$  = depth of crown bar

provided that the maximum allowable working pressure must not exceed that determined by the equation for furnaces of the ring-reinforced type, in PFT-51 when  $L$  is

made equal to  $D_1$ , and also provided that the diameter of the holes for the staybolts in the crown bars does not exceed  $\frac{1}{3}b$ , and the cross-sectional areas of the crown bars is not less than 4 in.<sup>2</sup> (2 580 mm<sup>2</sup>). PG-46 governs the spacing of the staybolts or bolts attaching the sheet to the bars, and PFT-28, the size of the staybolts or bolts.

For constructions in which the crown sheet is not semi-circular, or in which other features differ from those specified above, a test shall be made in accordance with PG-100 and the working pressure shall be based thereon.

**PFT-30.3** Cast iron supporting lugs, legs, or ends shall not be used.

### PFT-31 STAY TUBES

**PFT-31.1** When tubes are used as stays in multitubular boilers to give support to the tubesheets, the required cross-sectional area of such tubes shall be determined in accordance with PG-49.

**PFT-31.2** The required tubesheet thickness and maximum pitch of stay tubes shall be calculated using the following equations:

$$t = \sqrt{\frac{P}{CS} \left( p^2 - \frac{\pi d^2}{4} \right)}$$

$$p = \sqrt{\frac{CS t^2}{P} + \frac{\pi d^2}{4}}$$

where

$C = 2.1$  for tubesheets not over  $\frac{7}{16}$  in. (11 mm) thick  
 $= 2.2$  for tubesheets over  $\frac{7}{16}$  in. (11 mm) thick

$d =$  outside diameter of the tube

$P =$  design pressure

$p =$  maximum pitch measured between the centers of tubes in different rows, which may be horizontal, vertical, or inclined

$S =$  maximum allowable stress value for the tubesheet material given in Table 1A of Section II, Part D

$t =$  required thickness of tubesheet

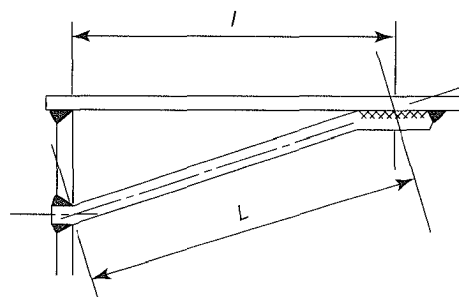
**PFT-31.3** No calculation need be made to determine the availability of the required cross-sectional area or the maximum allowable pitch for tubes within or on the perimeter of a nest of tubes that are spaced at less than twice their average diameter.

**PFT-31.4** Stay tubes may be attached by any of the acceptable means shown in Fig. PFT-12.1.

### PFT-32 STRESSES IN DIAGONAL STAYS

(10) **PFT-32.1** To determine the required area of a diagonal stay, multiply the area of a direct stay required to support

FIG. PFT-32 MEASUREMENTS FOR DETERMINING STRESSES IN DIAGONAL STAYS



the surface by the slant or diagonal length of the stay, and divide this product by the length of a line drawn at right angles to surface supported to center of palm of diagonal stay, as follows:

$$A = aL/l$$

where

$A =$  sectional area of diagonal stay

$a =$  sectional area of direct stay

$L =$  length of diagonal stay as indicated in Fig. PFT-32

$l =$  length of line drawn at right angles to boiler head or surface supported to center of palm of diagonal stay, as indicated in Fig. PFT-32, in. (mm)

*Example:* Given diameter of direct stay = 1 in.,  $a = 0.7854$  in.<sup>2</sup>,  $L = 60$  in.,  $l = 48$  in.; substituting and solving

$$A = (0.7854 \times 60)/48$$

$$= 0.98 \text{ sectional area, in.}^2$$

Diameter

$$(\text{of diagonal stay}) = \sqrt{(0.9817 \text{ in.}^2 \times 4)/(3.14)}$$

$$= 1.118 \text{ in.}^2$$

Consequently, the next larger standard size of  $1\frac{1}{8}$  in. diameter is selected.

**PFT-32.2** For staying segments of tubesheets such as in horizontal-return tubular boilers, where  $L$  is not more than 1.15 times  $l$  for any stay, the stays may be calculated as direct stays allowing 90% of the allowable stress value given in Table 1A of Section II, Part D.

## DOORS AND OPENINGS

### PFT-40 WELDED DOOR OPENINGS (10)

Arc or gas welding may be used in the fabrication of door holes provided the sheets are stayed around the opening in accordance with the requirements of PFT-27.6 and PFT-27.7.

No calculations need be made to determine the availability of compensation for door openings spanning between

the plates of waterlegs. The required thickness of circular access openings shall be determined in accordance with PFT-51. The required thickness of door openings of other than circular shape shall be calculated using eq. (1) of PG-46, using 2.1 or 2.2 for the value of  $C$ , depending on the plate thickness, and a value of  $p$  equal to the waterleg inside width. Volumetric examination of the joining welds is not required.

#### **PFT-41 OPENINGS IN WRAPPER SHEETS**

Openings located in the curved portion of the wrapper sheet of a locomotive type boiler shall be designed in accordance with the rules in PG-32.

#### **PFT-42 FIRESIDE ACCESS OPENINGS**

The minimum size of an access or fire door opening, in which the minimum furnace dimension is 24 in. (600 mm), shall be not less than 12 in.  $\times$  16 in. (300 mm  $\times$  400 mm) or equivalent area, 11 in. (280 mm) to be the least dimension in any case. A circular opening shall be not less than 15 in. (380 mm) in diameter.

For furnace dimensions less than 24 in. (600 mm), the opening should be  $2\frac{3}{4}$  in.  $\times$   $3\frac{1}{2}$  in. (70 mm  $\times$  89 mm) or larger where possible. In cases where the size or shape of the boiler prohibits an opening of that size, two openings with a minimum size of 1 in. (25 mm) may be used, preferably opposite each other, to permit inspection and cleaning of the furnace. If the burner is removable so as to permit inspection and cleaning through the burner opening, a separate access opening need not be provided.

The bonnet or smoke hood of a vertical flue or tubular boiler shall be provided with an access opening at least 6 in.  $\times$  8 in. (150 mm  $\times$  200 mm) for the purpose of inspection and cleaning the top head of the boiler.

#### **PFT-43 REQUIREMENTS FOR INSPECTION OPENINGS**

All firetube boilers shall have sufficient inspection openings, handholes, or washout plugs with a minimum of four openings to permit inspection of the waterside of the tubesheets, furnaces, and tubes and to permit flushing of loose scale and sediment from the boiler. Except where space restrictions would prohibit entry to the boiler, a manhole shall be provided in the upper portion of the shell. All openings shall meet the requirements of PG-32 through PG-44. Where washout plugs are used, the minimum size shall be NPS  $1\frac{1}{2}$  (DN 40), except for boilers 16 in.

(400 mm) or less in inside diameter, the minimum size shall be NPS 1 (DN 25).

#### **PFT-44 OPENING BETWEEN BOILER AND PRESSURE RELIEF VALVE**

The opening or connection between the boiler and the pressure relief valve shall have at least the area of the valve inlet.

After the boiler Manufacturer provides for the opening required by the Code, a bushing may be inserted in the opening in the shell to suit a pressure relief valve that will have the capacity to relieve all the steam that can be generated in the boiler and which will meet the Code requirements. The minimum size of the connection and opening for the pressure relief valve shall be not less than NPS  $\frac{1}{2}$  (DN 15).

No valve of any description shall be placed between the required pressure relief valve or valves and the boiler, or on the discharge pipe between the pressure relief valve and the atmosphere. When a discharge pipe is used, the cross-sectional area shall be not less than the full area of the valve outlet or of the total of the areas of the valve outlets discharging thereto and shall be as short and straight as possible and so arranged as to avoid undue stresses on the valve or valves.

### **DOMES**

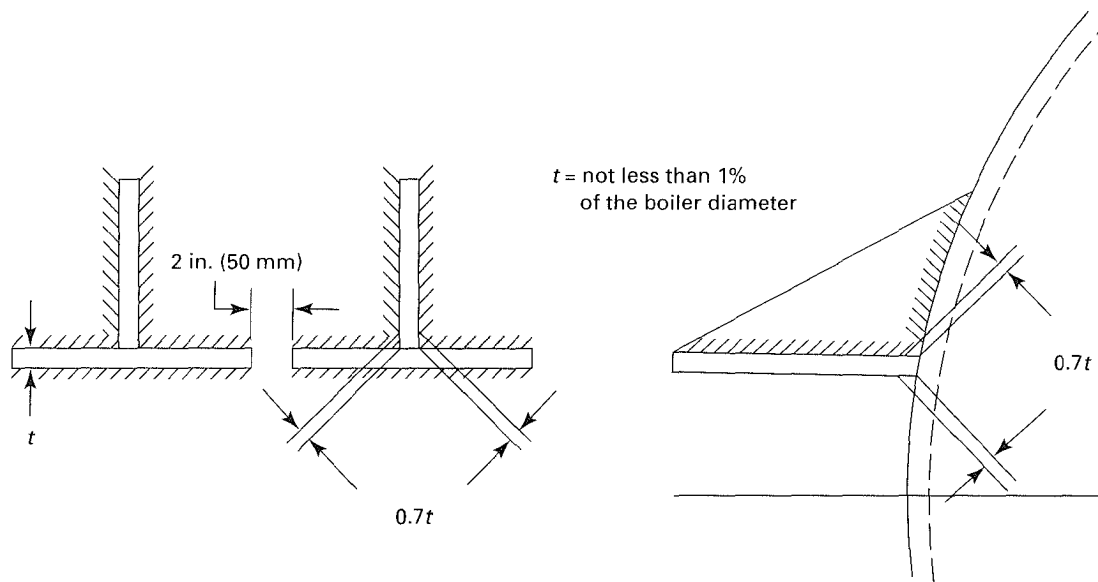
#### **PFT-45 REQUIREMENTS FOR DOMES**

**PFT-45.1** The longitudinal joint of a dome may be butt welded or the dome may be made without a seam of one piece of steel pressed into shape. The dome flange may be double full fillet lap-welded to the shell if all welding complies fully with the requirements for welding in Part PW. Volumetric examination of the fillet welds may be omitted. The opening shall be reinforced in accordance with PG-32 through PG-44. (10)

**PFT-45.3** When a dome is located on the barrel of a locomotive-type boiler or on the shell of a horizontal-return tubular boiler, the outside diameter of the dome shall not exceed six-tenths the inside diameter of the shell or barrel of the boiler unless the portion of the barrel or shell under the dome (the neutral sheet) is stayed to the head or shell of the dome by stays which conform in spacing and size to the requirements given in PG-46. With such stayed construction the outside diameter of a dome located on the barrel or shell of a boiler is limited to eight-tenths of the barrel or shell inside diameter.

**PFT-45.4** All domes shall be so arranged that any water can drain back into the boiler.

FIG. PFT-46.1 SPACING AND WELD DETAILS FOR WALL-SUPPORT LUGS SET IN PAIRS ON HORIZONTAL-RETURN TUBULAR BOILERS



**PFT-45.5** Flanges of domes shall be formed with a corner radius, measured on the inside, of at least twice the thickness of the plate for plates 1 in. (25 mm) in thickness or less, and at least three times the thickness of the plate for plates over 1 in. (25 mm) in thickness.

**PFT-45.6** In a locomotive-type boiler with a dome on a tapered course, the maximum allowable diameter of the dome shall be based on that diameter of the tapered course which intersects the axis or center line of the dome.

## SETTING

### PFT-46 METHOD OF SUPPORT

**PFT-46.1** The design and attachment of lugs, hangers, saddles, and other supports shall meet the requirements of PG-22.1 and PG-55.

**PFT-46.2** In applying the requirements of PFT-46.1, localized stresses due to concentrated support loads, temperature changes, and restraint against dilation of the boiler due to pressure shall be provided for. Lugs, brackets, saddles, and pads shall conform satisfactorily to the shape of the shell or surface to which they are attached or with which they are in contact.

**PFT-46.3** A horizontal-return tubular boiler over 72 in. (1 800 mm) in diameter shall be supported from steel hangers by the outside-suspension-type setting, independent of the furnace side walls.

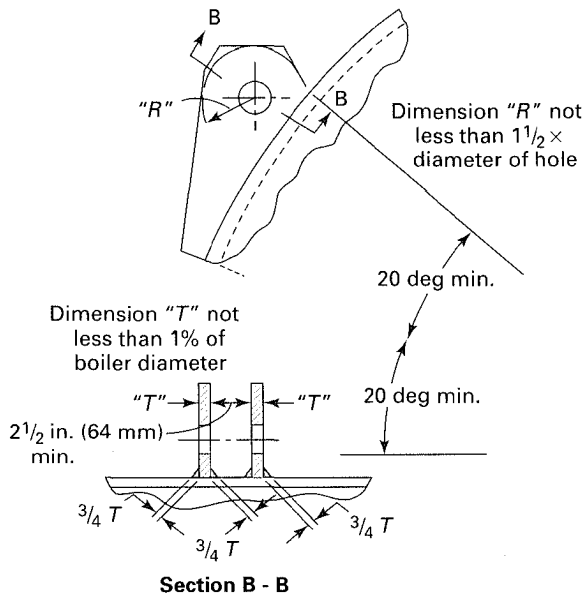
**PFT-46.4** A horizontal-return tubular boiler, 14 ft (4.3 m) or more in length, or over 54 in. (1 350 mm) and

up to and including 72 in. (1 800 mm) in diameter, shall be supported by the outside-suspension-type setting as specified in PFT-46.3, or, for wall-supported boilers, at four points by not less than eight steel lugs set in pairs. A horizontal-return tubular boiler up to and including 54 in. (1 350 mm) in diameter shall be supported by the outside-suspension-type setting as specified in PFT-46.3, or, for wall-supported boilers, by not less than two steel lugs on each side. If more than four lugs are used on wall-supported boilers, they shall be set in four pairs, the lugs of each pair to be spaced not over 2 in. (50 mm) apart and the load to be equalized between them (see Fig. PFT-46.1). If the boiler is supported on structural steel work, the steel supporting members shall be so located that heat from the furnace cannot impair their strength.

**PFT-46.5** Figure PFT-46.2 illustrates an acceptable design of hanger bracket for welded attachment to welded horizontal-return tubular boilers with the additional requirement that the hanger pin be located at the vertical center line over the center of a welded contact surface. The bracket plates shall be spaced at least  $2\frac{1}{2}$  in. (64 mm) apart, but this dimension shall be increased if necessary to permit access for the welding operation.

**PFT-46.6** Wet-bottom stationary boilers shall be supported so as to have a minimum clearance of 12 in. (300 mm) between the underside of the wet-bottom and the floor to facilitate inspection. Other types of firetube boilers set horizontally shall be supported so that they have a minimum clearance of 12 in. (300 mm) between the metal surface of the shell and the floor. Boiler insulation,

FIG. PFT-46.2 WELDED BRACKET CONNECTION FOR HORIZONTAL-RETURN TUBULAR BOILERS



saddles, or other supports shall be arranged so that inspection openings are readily accessible.

## PIPING, FITTINGS, AND APPLIANCES

### PFT-47 WATER LEVEL INDICATORS

**PFT-47.1** Boilers of the horizontal firetube type that exceed 16 in. (400 mm) in inside diameter shall be so set that when the water is at the lowest visible level in the gage glass there shall be at least 3 in. (75 mm) above the lowest permissible water level as determined by the Manufacturer.

Horizontal firetube boilers that do not exceed 16 in. (400 mm) in inside diameter shall have the lowest visible level in the gage glass at least 1 in. (25 mm) above the lowest permissible water level as determined by the Manufacturer.

**PFT-47.2** Boilers of locomotives shall have at least one gage glass provided with top and bottom shutoff cocks and lamp.

The lowest visible level in the gage glass shall be not less than 3 in. [75 mm] for boilers over 36 in. (900 mm) in inside diameter, nor less than 2 in. (50 mm) above the lowest permissible water level as determined by the Manufacturer for boilers 36 in. (900 mm) or less but greater than 16 in. (400 mm) in inside diameter nor less than 1 in. (25 mm) above the lowest permissible water-level as determined by the Manufacturer for boilers 16 in. (400 mm) or less in inside diameter. These are minimum dimensions, and on large locomotives and those operating on steep

grades, the height should be increased, if necessary, to compensate for change of water level on descending grades.

The bottom mounting for the gage glass and for water column if used must extend not less than 1½ in. (38 mm) inside the boiler and beyond any obstacle immediately above it, and the passage therein must be straight and horizontal.

Tubular gage glasses shall be equipped with a protecting shield.

### PFT-48 FEED PIPING

**PFT-48.1** When a horizontal-return tubular boiler exceeds 40 in. (1 000 mm) in diameter, the feedwater shall discharge at about three-fifths the length from the end of the boiler that is subjected to the hottest gases of the furnace (except a horizontal-return tubular boiler equipped with an auxiliary feedwater heating and circulating device), above the central rows of tubes. The feed pipe shall be carried through the head or shell farthest from the point of discharge of the feedwater in the manner specified for a surface blowoff in PG-59.3.2, and be securely fastened inside the shell above the tubes.

**PFT-48.2** In vertical tubular boilers the feedwater shall be introduced at a point not less than 12 in. (300 mm) above the crown sheet. When the boiler is under pressure, feedwater shall not be introduced through the openings or connections used for the water column or gage glass. In closed systems the water may be introduced through any opening when the boiler is not under pressure.

### PFT-49 BLOWOFF PIPING

**PFT-49.1** Blowoff piping of firetube boilers that is exposed to products of combustion shall be attached by screwing into a tapped opening with provisions for a screwed fitting or valve at the other end.

**PFT-49.2** Blowoff piping of firetube boilers which is not exposed to products of combustion may be attached by any method provided in this Section except by expanding into grooved holes.

### PFT-50 THICKNESS OF FURNACES AND TUBES UNDER EXTERNAL PRESSURE

**PFT-50.1** Design Temperature shall be not less than the maximum expected mean wall temperature established by calculation or measurement. As an alternative to calculating or measuring the maximum expected mean metal

temperature, 700°F (370°C) may be used as the design temperature.<sup>3</sup>

**PFT-50.1.1** Temperatures in excess of the maximum temperature listed for each material given in Tables 1A and 1B of Section II, Part D, are not permitted.

**PFT-50.1.2** Temperatures in excess of the maximum temperature given on the external pressure charts are not permitted.

**PFT-50.1.3** Rounding off equation results to the next higher unit of 10 is permitted (see PG-27.4, Note 8).

**PFT-51 MAXIMUM ALLOWABLE WORKING PRESSURE**

**PFT-51.1** The maximum allowable working pressure of tubes, flues, plain circular, and ring reinforced furnaces of firetube boilers shall be as determined by the following rules. External pressure charts for use in determination of minimum requirements are given in Section II, Part D, Subpart 3. Figure numbers shown in this Article are contained in that Subpart.

**PFT-51.1.1** The following symbols are used in the procedures of this Article:

*A* = factor determined from Fig. G and used to enter the applicable material chart in Section II, Part D. For the case of cylinders having  $D_o/t$  values less than 10, see PFT-51.1.2(b).

$A_s$  = cross-sectional area of stiffening ring

*B* = factor determined from the applicable material chart in Section II, Part D, for maximum design metal temperature

$D_o$  = outside diameter of cylindrical furnace or tube

*E* = modulus of elasticity of material at design temperature. (For this value see the applicable materials chart in Section II, Part D. Interpolation may be made between the lines for intermediate temperatures.)

$I_s$  = required moment of inertia of stiffening ring about its neutral axis parallel to the axis of the furnace

*L* = total length, of a furnace or tube between tubesheets, or design length of a furnace taken as the largest of the following:

(a) the greatest center-to-center distance between any two adjacent stiffening rings

(b) the distance between the tubesheet and the center of the first stiffening (ring reinforced)

(c) the distance from the center of the first stiffening ring to a circumferential line on a

formed head at one-third the depth from the head tangent line

$L_s$  = one-half of the distance from the center line of the stiffening ring to the next line of support on one side, plus one-half of the center line distance to the next line of support on the other side of the stiffening ring, both measured parallel to the axis of the cylinder. A line of support is

(a) a stiffening ring that meets the requirements of PFT-17.11

(b) a circumferential connection to a tubesheet or jacket for a jacketed section of a cylindrical shell

(c) a circumferential line on a formed head at one-third the depth of the head from the head tangent line

*P* = external design pressure

$P_a$  = calculated value of allowable external working pressure for the assumed value of *t*

*S* = the maximum allowable stress value at design metal temperature

*t* = minimum required thickness of cylindrical furnaces or tubes

$t_s$  = nominal thickness of cylindrical furnace or tubes

**PFT-51.1.2 Cylindrical Furnaces and Tubes.** The required minimum thickness of a cylindrical furnace or tube under external pressure, either seamless or with longitudinal butt joints, shall be determined by the following procedure:

(a) cylinder having  $D_o/t$  values equal to or greater than 10

Step 1: Assume a value of *t* and determine the ratios  $L/D_o$  and  $D_o/t$ .

Step 2: Enter Fig. G of Section II, Part D, at the value of  $L/D_o$  determined in Step 1. For values of  $L/D_o$  greater than 50, enter the chart at a value of  $L/D_o = 50$ . For values of  $L/D_o$  less than 0.05, enter the chart at a value of  $L/D_o = 0.05$ .

Step 3: Move horizontally to the line for the value of  $D_o/t$  determined in Step 1. Interpolation may be made for intermediate values of  $D_o/t$ . From this point of intersection, move vertically downward to determine the value of Factor *A*.

Step 4: Using the value of *A* calculated in Step 3, enter the applicable material chart in Section II, Part D, for the material under consideration. Move vertically to an intersection with the material/temperature line for the design temperature. Interpolation may be made between lines for intermediate temperatures. In cases where the *A* value falls to the right of the end of the material temperature line, assume an intersection with the horizontal projection of the upper end of the material/temperature line. For values of

<sup>3</sup> The designer is cautioned that the actual maximum mean metal temperature is dependent on the heat input to the furnace, the fuel type, and the design pressure. 700°F (370°C) may not be appropriate for higher design pressures resulting in furnaces over 1 in. (25 mm) thick, or for furnaces with high heat inputs.



$A$  falling to the left of the material/temperature line, see Step 7.

Step 5: From the intersection obtained in Step 4, move horizontally to the right and read the value of Factor  $B$ .

Step 6: Using the value of  $B$ , calculate the value of the maximum allowable external pressure,  $P_a$ , using the following equation:

$$P_a = \frac{4B}{3(D_o/t)}$$

Step 7: For values of  $A$  falling to the left of the applicable material/temperature line, the value of  $P_a$  shall be calculated using the following equation:

$$P_a = \frac{2AE}{3(D_o/t)}$$

Step 8: Compare the calculated value of  $P_a$  obtained in Step 6 or 7 with  $P$ . If  $P_a$  is smaller than  $P$ , select a larger value for  $t$  and repeat the design procedure until a value of  $P_a$  is obtained that is equal to or greater than  $P$ .

(b) cylinders having  $D_o/t$  values of less than 10

Step 1: Using the same procedure as given in (a) above, obtain the value of  $B$ . For values of  $D_o/t$  less than 4, the value of  $A$  shall be calculated using the following equation:

$$A = \frac{1.1}{(D_o/t)^2}$$

For values of  $A$  greater than 0.10, use a value of 0.10.

Step 2: Using the value of  $B$  obtained in Step 1, calculate a value of  $P_{a1}$  using the following equation:

$$P_{a1} = \left[ \frac{2.167}{D_o/t} - 0.0833 \right] B$$

Step 3: Calculate a value of  $P_{a2}$  using the following equation:

$$P_{a2} = \frac{2S_B}{D_o/t} \left[ 1 - \frac{1}{D_o/t} \right]$$

where  $S_B$  is the lesser of 2 times the maximum allowable stress values at design metal temperature from Tables 1A and 1B of Section II, Part D; or, 1.8 times the yield strength of the material at Design Metal Temperature from Table Y-1 of Section II, Part D.

Step 4: The smaller of the values of  $P_{a1}$  calculated in Step 2, or  $P_{a2}$  calculated in Step 3 shall be used for the maximum allowable external pressure  $P_a$ . If  $P_a$  is smaller than  $P$ , select a larger value for  $t$  and repeat the design procedure until a value for  $P_a$  is obtained that is equal to or greater than  $P$ .

**PFT-51.1.3** The design pressure or maximum allowable working pressure shall be not less than the maximum expected difference in operating pressure that may exist between the outside and the inside of the furnace or tube at any time.

**PFT-51.1.4** When necessary, furnaces shall be provided with stiffeners or other additional means of support to prevent overstress or large distortions under the external loadings listed in PG-22 other than pressure and temperature.

## **PFT-52 FUSIBLE PLUGS**

Hand-fired boilers shall be equipped with fusible plugs in accordance with the requirements of A-19 through A-21 of Nonmandatory Appendix A.

## PART PFH

# OPTIONAL REQUIREMENTS FOR FEEDWATER HEATER (WHEN LOCATED WITHIN SCOPE OF SECTION I RULES)

### PFH-1

A feedwater heater is a heat exchanger in which feedwater to be supplied to a boiler is heated by steam or water extracted from the boiler or the prime mover. When such a feedwater heater is located within the limit of Section I piping, as defined by PG-58.3, it falls within the scope of Section I rules. With this arrangement, the feedwater heater may be constructed in compliance with Section VIII, Division 1, subject to the following conditions.

**PFH-1.1** The feedwater heater shall conform with Section VIII, Division 1 rules for unfired steam boilers [UW-2(c)].

**PFH-1.2** The maximum allowable working pressure of the primary (feedwater) side of the heater shall be not less than the design pressure requirements of ASME B31.1, para. 122.1.3.

**PFH-1.3** The design temperature of the tubes shall be not less than the saturated steam temperature corresponding to the maximum allowable working pressure of the shell. If the steam entering the shell side of the feedwater heater is superheated, the design temperature of the tubes in the desuperheating zone shall be not less than the saturation temperature corresponding to maximum allowable shell side working pressure plus 35°F (20°C).

**PFH-1.4** The feedwater heater shall be stamped with the ASME Code "U" symbol and be documented with the ASME U-1 Data Form.

**PFH-1.5** A nameplate per UG-119 shall be furnished and shall show the additional information "and Part PFH of Section I."

**PFH-1.6** The Master Data Report for the completed boiler unit (see PG-113) shall indicate "Feedwater heater constructed to Section VIII, Division 1, as permitted by Part PFH."

## PART PMB

# REQUIREMENTS FOR MINIATURE BOILERS

### GENERAL

#### PMB-1 GENERAL

The rules in Part PMB are applicable to miniature boilers and parts thereof and shall be used in conjunction with the general requirements in Part PG as well as with the special requirements in the applicable Parts of this Section that apply to the method of fabrication used.

#### PMB-2 SCOPE

**PMB-2.1** The classification miniature boilers applies to boilers that do not exceed the following limits:

- (a) 16 in. (400 mm) inside diameter of shell
- (b) 20 ft<sup>2</sup> (1.9 m<sup>2</sup>) heating surface (not applicable to electric boilers)
- (c) 5 ft<sup>3</sup> (0.14 m<sup>3</sup>) gross volume,<sup>1</sup> exclusive of casing and insulation
- (d) 100 psig (700 kPa) maximum allowable working pressure

**PMB-2.2** If a boiler meets the miniature classification, the rules in this Part shall supplement the rules for power boilers and take precedence over them when there is conflict. Where any of the limits in PMB-2.1 are exceeded, the rules for power boilers shall apply.

### MATERIALS

#### PMB-5 GENERAL

**PMB-5.1** Unless specifically permitted elsewhere in this Section, materials used in the construction of pressure parts for miniature boilers shall conform to one of the specifications in Section II and shall be limited to those for which allowable stress values are given in Tables 1A and 1B of Section II, Part D. Miscellaneous pressure parts shall conform to the requirements of PG-11.

<sup>1</sup> This gross volume is intended to include such gas passages as are integral with the assembled pressure parts and a definition is: the volume of a rectangular or cylindrical enclosure into which all the pressure parts of the boiler in their final assembled positions could be fitted. Projecting nozzles or fittings need not be considered in the volume.

**PMB-5.2** Seamless and welded shells made from pipe for miniature boilers shall be not less than  $\frac{3}{16}$  in. (5.0 mm) in thickness. Shells or heads made from plate shall be not less than  $\frac{1}{4}$  in. (6 mm) in thickness. Heads used as tube-sheets, with tubes expanded, shall be at least  $\frac{5}{16}$  in. (8 mm) in thickness.

**PMB-5.3** Steam boiler parts of not over 600 in.<sup>3</sup> (0.01 m<sup>3</sup>) in volume may be cast from copper alloy complying with requirements of SB-61 or SB-62 of wall thickness not less than  $\frac{1}{4}$  in. (6 mm). Such steam boiler parts shall be equipped with at least one brass washout plug of not less than  $\frac{1}{2}$  in. (13 mm) and shall be tested to a hydrostatic pressure of 600 psi (4 MPa).

**PMB-5.4** Heads or parts of miniature boilers, when not exposed to the direct action of the fire, may be made of cast iron or malleable iron provided it complies with a specification permitted in this Section.

**PMB-5.5** Due to the small size of parts of miniature boilers, the requirements of Identification, PG-77.1, need not be met, provided the Manufacturer certifies on the Data Report accompanying the boiler that the material is in accordance with the requirements of this Section. Provisions shall be made by the Manufacturer whereby he shall be able to supply complete information regarding the material and details of construction of any boiler built under the provisions of this Code.

### DESIGN

#### PMB-8 GENERAL

The rules in the following paragraphs apply specifically to the design of miniature boilers and parts thereof and shall be used in conjunction with the general requirements for design in Part PG as well as with the specific requirements for design in the applicable Parts of this Section that apply to the method of fabrication used.

#### PMB-9 WELDING

Miniature boilers may be constructed by fusion welding in accordance with all the requirements of this Section

except that postweld heat treatment, volumetric examination of the welded joints, and nondestructive examinations described in PG-93.1 are not required.

#### **PMB-10 WASHOUT OPENINGS**

**PMB-10.1** Every miniature boiler exceeding 12 in. (300 mm) internal diameter or having more than 10 ft<sup>2</sup> (0.9 m<sup>2</sup>) of heating surface shall be fitted with not less than three brass washout plugs of 1 in. (25 mm), which shall be screwed into openings in the shell near the bottom. Boilers not exceeding 12 in. (300 mm) internal diameter and having less than 10 ft<sup>2</sup> (0.9 m<sup>2</sup>) of heating surface need have not more than two 1 in. (25 mm) openings for cleanouts, one of which may be used for the attachment of the blowoff valve; these openings shall be opposite to each other where possible. All threaded openings in the boiler shall be provided with a welded reinforcement, if necessary, to give four full threads therein.

**PMB-10.2** Miniature boilers of a design employing a removable top cover flange for inspection and cleaning need not be fitted with washout openings.

#### **PMB-11 FEEDWATER SUPPLY**

**PMB-11.1** Every miniature boiler shall be provided with at least one feed pump or other feeding device, except where it is connected to a water main carrying sufficient pressure to feed the boiler or where it is operated with no extraction of steam (such as in a closed system). In the latter case, in lieu of a feeding device, a suitable connection or opening shall be provided to fill the boiler when cold. Feedwater openings or connections to miniature boilers shall be not less than NPS ½ (DN 15) for iron or steel pipe and NPS ¼ (DN 8) for brass or copper pipe.

**PMB-11.2** The feed pipe shall be provided with a check valve and a stop valve of a size not less than that of the pipe. The feedwater may be delivered through the blowoff opening if desired.

#### **PMB-12 BLOWOFF**

Each miniature boiler shall be equipped with a blowoff connection, not less than NPS ½ (DN 15), located to drain from the lowest water space practicable. The blowoff shall be equipped with a valve or cock not less than NPS ½ (DN 15).

#### **PMB-13 WATER GAGES**

**PMB-13.1** Each miniature boiler for operation with a definite water level shall be equipped with a water gage

glass for determining the water level. The lowest permissible water level of vertical boilers shall be at a point one-third of the height of the shell above the bottom head or tubesheet. Where the boiler is equipped with an internal furnace, the lowest permissible water level shall be not less than one-third of the length of the tubes above the top of the furnace tubesheet. In the case of small boilers operated in a closed system where there is insufficient space for the usual water gage glass, water level indicators of the glass bull's-eye type may be used.

**PMB-13.2** Miniature boilers shall have the lowest visible part of the water gage located at least 1 in. (25 mm) above the lowest permissible water level specified by the Manufacturer.

#### **PMB-14 FIXTURES AND FITTINGS**

All valves, pipe fittings, and appliances connected to a miniature boiler shall be equal at least to the requirements of Class 125 (PN 20) or Class 150 (PN 20) of the appropriate ASME Standard listed in PG-42.

#### **PMB-15 PRESSURE RELIEF VALVES**

**PMB-15.1** Each miniature boiler shall be equipped with a sealed pressure relief valve of not less than NPS ½ (DN 15).

**PMB-15.2** The minimum relieving capacity of the pressure relief valve shall be determined in accordance with PG-67.2.

**PMB-15.3** All other provisions for pressure relief valves in this Section shall be complied with.

#### **PMB-16 STEAM STOP VALVES**

Each steam line from a miniature boiler shall be provided with a stop valve located as close to the boiler shell or drum as is practicable, except when the boiler and steam receiver are operated as a closed system.

#### **PMB-17 AUTOMATIC DEVICES**

All miniature boilers operated with gas, electricity, oil, or mechanical firing shall be provided with an automatic low-water fuel cutoff, except electric boilers of the electrode type as provided for in PEB-16.

#### **PMB-21 HYDROSTATIC TESTS AND INSPECTION**

**PMB-21.1** In addition to the inspections required elsewhere in this Section, each miniature boiler pressure vessel

shall be inspected while being tested at a hydrostatic pressure equal to three times the maximum allowable working pressure.

- (10) **PMB-21.1.1** A minimum metal temperature of 60°F (15°C) is permitted during the hydrostatic test in PMB-21.1, provided the shell thickness is  $\frac{3}{8}$  in. (10 mm) or less and provided only P-No. 8 or the following specific P-No. 1 materials are used in the construction of the pressure vessel:

SA-53 Pipe Grade E or S  
 SA-106 Pipe  
 SA-516 Plate

SA-105 Forgings  
 SA-234 Fittings

**PMB-21.2** Completed miniature boilers with mechanically assembled boiler external piping (BEP) and trim shall be given a final hydrostatic test at a pressure not less than  $1\frac{1}{2}$  times the MAWP of the pressure vessel. Miniature electric boilers shall be given a final hydrostatic test in accordance with PEB-17.2

**PMB-21.3** For completed miniature boilers with welded or brazed boiler external piping (BEP) or trim, the inspection requirements of PG-90.1 and the hydrostatic test requirements of PG-99 apply.

# PART PEB

## REQUIREMENTS FOR ELECTRIC BOILERS

### GENERAL

#### PEB-1 GENERAL

The rules in Part PEB are applicable to electric boilers and parts thereof and shall be used in conjunction with the general requirements in Part PG as well as with the special requirements in the applicable Parts of this Section that apply to the method of fabrication used.

#### PEB-2 SCOPE

**PEB-2.1** This Part contains special rules for construction of electric boilers, both of the electrode and immersion resistance element type. This Part does not include electric boilers where the heat is applied externally to the boiler pressure vessel by electric resistance heating elements, induction coils, or other electrical means. These types of electric boilers shall be constructed in accordance with other applicable Parts of this Section.

**PEB-2.2** Electric boilers and parts thereof that do not exceed the diameter, volume, or pressure limits of PMB-2 may be constructed using the applicable paragraphs of Part PMB in conjunction with this Part.

**PEB-2.3** An electrode type boiler is defined as an electric boiler in which heat is generated by the passage of an electric current using water as the conductor.

(10) **PEB-2.4** An immersion resistance element type boiler is defined as an electric boiler in which heat is generated by the passage of an electric current through a resistance heating element directly immersed in water, or enclosed in a pipe immersed in water.

(10) **PEB-2.5** Electric boilers may be field assembled provided the boiler is manufactured and assembled in compliance with the provisions and requirements of Part PEB and other applicable Parts of this Section.

#### PEB-3 OPTIONAL REQUIREMENTS FOR THE BOILER PRESSURE VESSEL

The boiler pressure vessel may be constructed in compliance with the ASME Pressure Vessel Code Section VIII,

Division 1, rules for unfired steam boilers [UW-2(c)] subject to the conditions specified in PEB-3.1 through PEB-3.4.

**PEB-3.1** The Manufacturer who certifies and stamps the completed boiler shall specify to the "U" stamp holder all additional requirements of Part PEB, which are not requirements of Section VIII, Division 1, and shall ensure that these requirements are satisfied.

**PEB-3.2** These additional requirements are

**PEB-3.2.1** The materials of construction shall comply with the requirements of PEB-5.1 and PEB-5.3.

**PEB-3.2.2** Inspection openings shall comply with the requirements of PEB-10.

**PEB-3.3** The boiler pressure vessel shall be stamped with the ASME Code "U" symbol and the letters "UB," and be documented with the ASME U-1 or U-1A Data Report.

**PEB-3.4** The master Data Report P-2A for the Electric Boiler shall indicate "Boiler pressure vessel constructed to Section VIII, Division 1 as permitted by Part PEB."

### MATERIALS

#### PEB-5 GENERAL

**PEB-5.1** Unless specifically permitted elsewhere in this section, materials used in the construction of pressure parts for electric boilers shall conform to one of the specifications in Section II and shall be limited to those permitted by PG-6, PG-7, PG-8, and PG-9 for which allowable stress values are given in Tables 1A and 1B of Section II, Part D. Miscellaneous pressure parts shall conform to the requirements of PG-11.

**PEB-5.2** Seamless or welded shells, plates, or heads of electric boilers shall not be less than  $\frac{3}{16}$  in. (5 mm) in thickness.

**PEB-5.3** Electric boilers of the immersion element type may be fabricated of austenitic stainless steel type 304, 304L, 316, 316L, and 347 of any material specification listed in PG-6 and PG-9, provided that a precautionary

statement indicating that the boiler shall be operated using only deionized water, having a maximum conductance of 1 microSiemen per cm (1  $\mu$ S/cm) [minimum specific resistivity of 1 megohm per cm (1 M $\Omega$ /cm)], is clearly marked on the boiler in a visible location.

## DESIGN

### PEB-8 GENERAL

**PEB-8.1** The rules in the following paragraphs apply specifically to the design of electric boilers and parts thereof. They shall be used in conjunction with the general requirements for design in Part PG, any applicable requirements in Part PMB for miniature boilers, and with the specific requirements for design in applicable Parts of this Section that apply to the method of fabrication used.

**PEB-8.2** Responsibility of design of electric boilers to be marked with the "E" symbol shall be that of the holder of the "E" stamp.

### (10) PEB-9 WELDING

Electric boilers may be constructed by fusion welding in accordance with all the requirements of this Section except that postweld heat treatment, volumetric examination of the welded joints, and the nondestructive examinations described in PG-93.1 are not required when the limitations in PMB-2.1 are not exceeded.

### PEB-10 INSPECTION OPENINGS

**PEB-10.1** Electric boilers of a design employing a removable cover, or removable internal electric heating elements that will permit access for inspection, and cleaning and having an internal volume (exclusive of casing and insulation) of not more than 5 ft<sup>3</sup> (0.14 m<sup>3</sup>) need not be fitted with washout or inspection openings.

**PEB-10.2** Electric boilers of more than 5 ft<sup>3</sup> (0.14 m<sup>3</sup>) not provided with a manhole, shall have an inspection opening or handhole located in the lower portion of the shell or head. The inspection opening shall not be smaller than NPS 3 (DN 80). In addition, electric boilers of the resistance heating element type designed for steam service shall have an inspection opening or handhole at or near the normal waterline.

### PEB-11 FEEDWATER SUPPLY

**PEB-11.1** The feedwater source to electric boilers shall be capable of meeting the applicable requirements of PG-61. Feedwater connections to an electric boiler shall

not be smaller than NPS  $\frac{1}{2}$  (DN 15), except as permitted by PMB-11.

**PEB-11.2** Electric boilers that do not exceed the diameter, volume, or pressure limits of PMB-2, may have the feedwater delivered through the blowoff opening if desired.

### PEB-12 BLOWOFF

**PEB-12.1** The blowoff piping for each electric boiler pressure vessel having a normal water content not exceeding 100 gal (380 L) is required to extend through only one valve.

**PEB-12.2** The minimum size of blowoff pipes and fittings shall be NPS 1 (DN 25), except that for boilers of 200 kW input or less the minimum size of pipe and fittings may be NPS  $\frac{3}{4}$  (DN 20). Electric boilers that do not exceed the diameter, volume, or pressure limits of PMB-2 may have blowoff connections in accordance with PMB-12.

### PEB-13 WATER LEVEL INDICATORS

**PEB-13.1** Electric boilers of the electrode type shall have at least one gage glass. The gage glass shall be located as to indicate the water levels both at startup and under maximum steam load conditions as established by the Manufacturer.

**PEB-13.2** Electric boilers of the resistance element type shall have at least one gage glass. The lowest visible water level in the gage glass shall be at least 1 in. (25 mm) above the lowest permissible water level as determined by the Manufacturer. Each electric boiler of this type shall also be equipped with an automatic low-water cutoff on each boiler pressure vessel so located as to automatically cut off the power supply to the heating elements before the surface of the water falls below the visible level in the gage glass.

**PEB-13.3** Tubular gage glasses on electric boilers shall be equipped with protective rods or shields.

### PEB-14 PRESSURE GAGES

Pressure gages shall meet the requirements of PG-60.6.

### PEB-15 PRESSURE RELIEF VALVES

**PEB-15.1** Each electric boiler shall have at least one pressure relief valve. Electric boilers with a power input more than 1,100 kW shall have two or more pressure relief valves.

**PEB-15.2** The minimum pressure relief valve relieving capacity for electric boilers shall be 3 $\frac{1}{2}$  lb/hr/kW

(1.6 kg/hr/kW) input. The pressure setting shall be not higher than the MAWP stamped on the completed boiler (see PEB-18.3.2).

**PEB-15.3** Pressure relief valves shall be mounted in accordance with PG-71.2 with the spindle vertical. Electric boilers that do not exceed the diameter, volume, or pressure limits of PMB-2, may have a pressure relief valve(s) installed in other than the vertical position, provided that

- (a) the valve design is satisfactory for such position
- (b) the valve is not larger than NPS  $\frac{3}{4}$  (DN 20)
- (c) the maximum angle of deviation from vertical does not exceed 30 deg
- (d) the nozzle location is such that no material that could interfere with the operation of the valve can accumulate at the valve inlet
- (e) the discharge opening of the valve body and discharge piping is oriented so that drainage is adequate

#### **PEB-16 AUTOMATIC DEVICES**

Electric boilers shall be provided with pressure and/or temperature controls and an automatic low-water fuel cut-off. No low-water cutoff is required for electrode type boilers.

#### **PEB-17 HYDROSTATIC TEST**

**PEB-17.1** Each electric boiler pressure vessel shall be hydrostatically tested at completion of fabrication in accordance with PG-99 or PMB-21, as applicable.

**PEB-17.2** In addition to the above, after assembly of the boiler pressure vessel and the mechanically assembled boiler external piping and trim, the completed electric boiler shall be given a final hydrostatic test at a pressure not less than the pressure relief valve setting.

**PEB-17.3** When the electric boiler is to be marked with the "E" symbol, the symbol shall be applied after completion of the hydrostatic test of PEB-17.2.

#### **PEB-18 INSPECTION AND STAMPING OF BOILERS**

**PEB-18.1** Inspection of electric boilers shall be as required by PG-90.1 and PG-90.3. Witness by the Authorized Inspector of the hydrotest required in PEB-17.2 for the completed boiler may be omitted for electric boilers that meet all the following limitations:

- (a) 800 kW maximum per vessel
- (b) 600 V maximum
- (c) mechanically assembled boiler external piping (BEP) only

When the Authorized Inspector does not perform a final inspection of the completed boiler, the Manufacturer or

Assembler shall make an equivalent examination. The equivalent examination shall be in accordance with a quality control procedure meeting the requirements of PEB-18.2 and PEB-18.5.

**PEB-18.1.1** Electric boilers exceeding the size limitations specified in PEB-18.1, and having only mechanically assembled external piping (BEP) and trim, shall have a final inspection by the Authorized Inspector, who shall also witness the hydrostatic test called for in PEB-17.2.

**PEB-18.1.2** For electric boilers having welded or brazed boiler external piping (BEP) or trim, the inspection requirements of PG-90.1 and the hydrostatic test requirements of PG-99 apply.

**PEB-18.2** Each electric boiler Manufacturer shall comply with the applicable requirements of PG-104 and PG-105.

**PEB-18.2.1** An electric boiler Manufacturer or Assembler applying for or renewing the "E" stamp shall have its facilities and organizations subject to a joint review by its Authorized Inspection Agency and the legal jurisdiction involved (see last paragraph of PG-105.4).

**PEB-18.2.2** A Manufacturer or Assembler assembling units where the final shop inspection by the Authorized Inspector is not mandatory (see PEB-18.1), shall be subject to periodic review by its Authorized Inspection Agency. The review shall be conducted on a quarterly basis or more frequently if deemed necessary by the Authorized Inspection Agency. The frequency of this review may be reduced subject to written agreement between the Manufacturer or Assembler and its inspection agency and the written approval of the appropriate legal jurisdiction. However, in no case shall the review be less than once every 6 months.

**PEB-18.3** The stamping of electric boilers shall conform to the requirements of PG-106. Completed electric boilers shall be marked with the "S" or "M" symbol by the Manufacturer of the boiler pressure vessel except when the boiler pressure vessel is constructed under the provisions of PEB-3 (see PEB-18.4). When the trim, fixtures and fittings (such as valves), threaded boiler external piping, and appurtenances are connected to an electric boiler by a Manufacturer or Assembler not authorized to apply the "S" or "M" stamp, the boiler assembler shall apply an "E" stamp to the completed assembly. "E" stamp holders are limited to the use of assembly methods that do not require welding or brazing.

**PEB-18.3.1** The stamping of the boiler pressure vessel shall be located as called for in PG-111.8 and need not indicate the kW input or the maximum designed steaming capacity.

**PEB-18.3.2** The stamping of the complete electric boiler shall be on a separate metallic plate and shall be in accordance with PG-106.4. The MAWP shall be that



established by the completed boiler assembler holding the “S,” “M,” or “E” stamp, but in no case higher than the MAWP stamped on the boiler shell. The MAWP shall be listed on Part II of Form P-2A, Manufacturers’ Data Report for All Types of Electric Boilers. This plate shall be located on the assembly so that it is readily visible from the operating floor.

**PEB-18.3.3** The stamping required by PEB-18.3.2 need not be done in the presence of the Authorized Inspector for electric boilers that do not receive final inspection by the Authorized Inspector (see PEB-18.1).

**PEB-18.4** For boiler pressure vessels constructed under the provisions of PEB-3, the inspection and stamping requirements of Section VIII, Division 1, UG-116(c) for special service pressure vessels (UB), shall be followed.

**PEB-18.5** Those Manufacturers and Assemblers providing an equivalent examination of completed electric boilers when final inspection is not witnessed by the Authorized Inspector (see PEB-18.1), shall provide oversight by a Certified Individual (CI).

**PEB-18.5.1** A Certified Individual (CI) shall be an employee of the Manufacturer or Assembler and shall be qualified and certified by the Manufacturer or Assembler. Qualifications shall include as a minimum

- (a) knowledge of the requirements of this Section for the application of Code symbols
- (b) knowledge of the Manufacturer’s quality program
- (c) training commensurate with the scope, complexity, or special nature of the activities to which oversight is to be provided

The Manufacturer or Assembler shall maintain a record containing objective evidence of the Certified Individual’s qualifications, training, and certification.

**PEB-18.5.2** The duties of a Certified Individual (CI) shall be to assure that each use of the Code symbol as permitted in PEB-18.3.3 is in accordance with the requirements of this Section and is documented on the Certificate of Conformance on Form P-2A, Manufacturers’ Data Report for All Types of Electric Boilers. The CI shall also

(a) verify that each electric boiler, to which a Code symbol is applied, meets all applicable requirements of this Section

(b) sign the Certificate of Conformance, Form P-2A, prior to release of control of the boiler

## **PEB-19 MANUFACTURER’S DATA REPORT FOR ELECTRIC BOILERS**

**PEB-19.1** This form consists of two parts. Part I is to be completed by the Manufacturer of the boiler pressure vessel who is the holder of the “S” or “M” stamp and his inspection agency. Part II is to be completed by the Manufacturer or Assembler responsible for the completed electric boiler who shall be authorized to use any of the “S,” “M,” or “E” stamps.

**PEB-19.2** When the boiler pressure vessel is constructed by a “U” stamp holder and certified on a U-1 or U-1A Data Report, Part I shall be completed by the “S,” “M,” or “E” stamp holder to the extent indicated in Guide A-351.1.

# PART PVG

## REQUIREMENTS FOR ORGANIC FLUID VAPORIZERS

### GENERAL

#### PVG-1 GENERAL

The rules in Part PVG are applicable to organic fluid vaporizers and parts thereof and shall be used in conjunction with the general requirements in Part PG as well as with the special requirements in the applicable Parts of this Section that apply to the method of fabrication used.

### MATERIALS

#### PVG-5 GENERAL

**PVG-5.1** Materials used in the construction of pressure parts for organic fluid vaporizers shall conform to one of the specifications in Section II and shall be limited to those for which allowable stress values are given in Tables 1A and 1B of Section II, Part D. Pressure relief valve materials shall conform to PG-73.2.3.

**PVG-5.2** The requirements for materials given in Part PG shall apply in all respects to organic fluid vaporizers.

### DESIGN

#### PVG-8 GENERAL

The rules in the following paragraphs apply specifically to the design of organic fluid vaporizers and parts thereof and shall be used in conjunction with the general requirements for design in Part PG as well as with the specific requirements for design in the applicable Parts of this Section that apply to the method of fabrication used.

#### PVG-9 GENERAL REQUIREMENTS

The Manufacturer shall be responsible for providing in the design the limited heat absorption rates, proper furnace proportions, etc., which will permit satisfactory and safe operation of the vaporizers under all conditions of operation.

#### PVG-10 GAGE GLASSES

Gage glasses shall be of the flat glass type with forged steel frames. Gage cocks shall not be used.

#### PVG-11 DRAIN VALVES

Suitable drain valves of the globe or angle type may be used in lieu of the blowoff valve required in ASME B31.1.

#### PVG-12 PRESSURE RELIEF VALVES

**PVG-12.1** Pressure relief valves shall be of a totally enclosed type so designed that vapors escaping beyond the valve seat shall not discharge into the atmosphere, except through an escape pipe that will carry such vapors to a safe point of discharge outside of the building. A suitable condenser that will condense all the vapors discharged from the pressure relief valve may be used in lieu of piping the vapors to the atmosphere. The pressure relief valve shall not have a lifting lever. The vaporizer shall be designed in accordance with the rules in this Code for a working pressure of at least 40 psi (280 kPa) above the operating pressure at which it will be used. Valve body drains are not mandatory.

**PVG-12.2** Pressure relief valves shall be disconnected from the vaporizer at least once yearly, when they shall be inspected, repaired if necessary, tested, and then replaced on the vaporizer.

**PVG-12.3** In order to minimize the loss by leakage of material through the pressure relief valve, a rupture disk may be installed between the pressure relief valve and the vaporizer, provided the requirements of PVG-12.3.1 through PVG-12.3.4.3 are met.

**PVG-12.3.1** The cross-sectional area of the connection to a vaporizer shall be not less than the required relief area of the rupture disk.

**PVG-12.3.2** Every rupture disk shall have a specified bursting pressure at a specified temperature, shall be marked with a lot number, and shall be guaranteed by its

manufacturer to burst within 5% (plus or minus) of its specified bursting pressure.

**PVG-12.3.3** The specified bursting pressure at the coincident specified temperature shall be determined by bursting two or more specimens from a lot of the same material and of the same size as those to be used. The tests shall be made in a holder of the same form and pressure area dimensions as that with which the disk is to be used.

**PVG-12.3.4** A rupture disk may be installed between a pressure relief valve and the vaporizer provided

**PVG-12.3.4.1** The maximum pressure of the range for which the disk is designed to rupture does not exceed the opening pressure for which the pressure relief valve is set or the maximum allowable working pressure of the vessel.

**PVG-12.3.4.2** The opening provided through the rupture disk, after breakage, is sufficient to permit a flow equal to the capacity of the attached valve, and there is no chance of interference with the proper functioning of the valve, but in no case shall this area be less than the inlet area of the valve.

**PVG-12.3.4.3** The space between a rupture disk and the valve should be provided with a pressure gage, try cock, free vent, or a suitable telltale indicator. This arrangement permits the detection of disk rupture or leakage.<sup>1</sup>

**PVG-12.4** Pressure relief valve discharge capacity shall be determined from the following equation:

$$W = CKAP \sqrt{M/T}$$

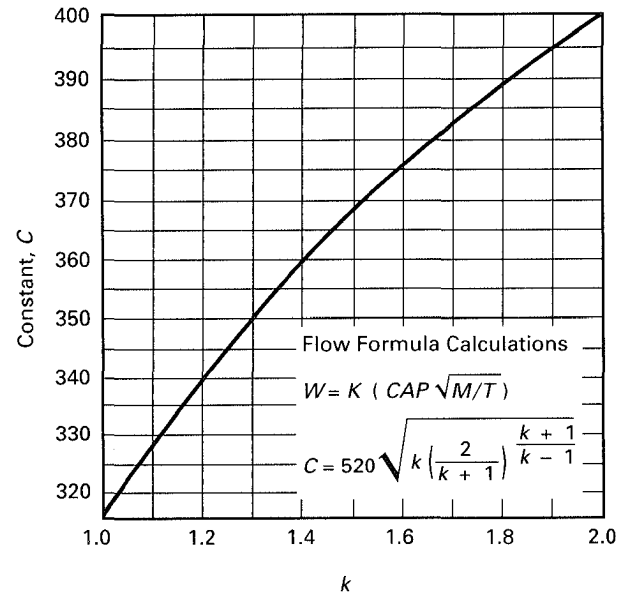
where

- A = discharge area of pressure relief valve
- C = constant for vapor that is a function of the ratio of Specific Heats  $k = c_p/c_v$  (see Fig. PVG-12)  
Note: Where  $k$  is not known,  $k = 1.001$ .
- K = coefficient of discharge for the design
- M = molecular weight
- P = (set pressure  $\times$  1.03) + Atmosphere Pressure
- T = absolute temperature at inlet, °F + 460 (°C + 273)
- W = flow of vapor

**PVG-12.5** Pressure relief valves for organic fluid vaporizers shall be tested and certified under PG-69, and they shall be stamped with the rated relieving capacity in pounds per hour at coincident temperature as determined in PVG-12.4. The fluid identification shall be stamped on the nameplate.

<sup>1</sup> Users are warned that a rupture disk will not burst at its designed pressure if back pressure builds up in the space between the disk and the pressure relief valve, which will occur should leakage develop in the rupture disk due to corrosion or other cause.

FIG. PVG-12 CONSTANT, C, FOR VAPOR RELATED TO RATIO OF SPECIFIC HEATS ( $k = c_p/c_v$ )



GENERAL NOTE: Flow formula calculations

$$W = K \left( CAP \sqrt{M/T} \right)$$

(U.S. Customary Units)

$$C = 520 \sqrt{k \left( \frac{2}{k+1} \right)^{\frac{k+1}{k-1}}}$$

(SI Units)

$$C = 39.48 \sqrt{k \left( \frac{2}{k+1} \right)^{\frac{k+1}{k-1}}}$$

**PVG-12.6** The required minimum pressure relief valve relieving capacity shall be determined from the following equation:

$$W = \frac{C \times H \times 0.75}{h}$$

where

- C = maximum total weight or volume of fuel burned per hour, lb (kg) or ft<sup>3</sup> (m<sup>3</sup>)
- H = heat of combustion of fuel, Btu/lb (J/kg) or Btu/ft<sup>3</sup> (J/m<sup>3</sup>) (see A-17)
- h = latent heat of heat transfer fluid at relieving pressure, Btu/lb (J/kg)
- W = weight of organic fluid vapor generated per hour

The sum of the pressure relief valve capacities marked on the valves shall be equal to or greater than W.

# PART PHRSG

## REQUIREMENTS FOR HEAT RECOVERY STEAM GENERATORS

### PHRSG-1 GENERAL

The rules of this Part, PHRSG, shall be used in conjunction with the general requirements of Part PG as well as with the special requirements in the applicable parts of this Section that apply to the method of fabrication used.

If a boiler meets the scope requirements of PHRSG-2, the rules of this Part shall supplement the rules for power boilers and take precedence over them when there is a conflict.

### PHRSG-2 SCOPE

The rules of this Part apply to a heat recovery steam generator, HRSG, which has as its principal source of thermal energy a hot gas stream having high ramp rates and temperatures such as the exhaust of a gas turbine.<sup>1</sup> Such an HRSG may utilize supplemental firing and may have one or more superheaters, reheaters, evaporators, economizers, and/or feedwater heaters, which are housed in a common gas path enclosure. The sections cannot be individually isolated from the gas stream.

### PHRSG-3 REQUIREMENTS FOR SUPERHEATER AND REHEATER CONDENSATE REMOVAL CONNECTIONS

**PHRSG-3.1** Each superheater and reheater shall be equipped with at least one condensate detection and removal connection meeting all the following requirements:

(a) The detection device shall utilize drain pots with dual element detection or single element detection with time delay to close, or any other suitable detection and removal method.

(b) Connections shall be capable of being opened under pressure so that condensate created during turbine purge cycles can be removed.

(c) Connections shall be sized and located such that condensate will be evaluated under all conditions.

<sup>1</sup> The terms *gas turbine* and *combustion turbine* shall be considered synonymous and cover turbines burning liquid or gaseous fuels.

(d) Condensate removal piping required to be opened under pressure shall meet the requirements of PHRSG-3.3 and PHRSG-3.4.

Connections for the purpose of removing condensate are not limited in size as defined by PG-59.3.5 and are permitted to serve also as the drain connection as required by PG-59.4.

**PHRSG-3.2** Condensate removal piping as defined by PHRSG-3.1 from superheaters or reheaters of different pressure levels that are required to be opened or operated simultaneously, and which discharge into a common collection device (e.g., manifold, blowdown tank, or flash tank), shall be designed so that when discharging, a high back pressure is not developed within the collection device that prevents flow or causes a reversal of flow. In addition, boiler components shall be designed such that condensate cannot flow from one superheater or reheater to another or from one part of a superheater or reheater to another.

**PHRSG-3.3** Piping intended for removal of condensate or unvaporized water from steam spaces, such as superheaters or reheaters when the boiler is under pressure, shall extend through and include the second valve. The MAWP of the piping as required by PHRSG-3.1 and PHRSG-3.2 shall be equal to the MAWP of the steam space that the condensate removal piping is connected to plus the lesser of 25% of the MAWP or 225 psi (1.55 MPa).

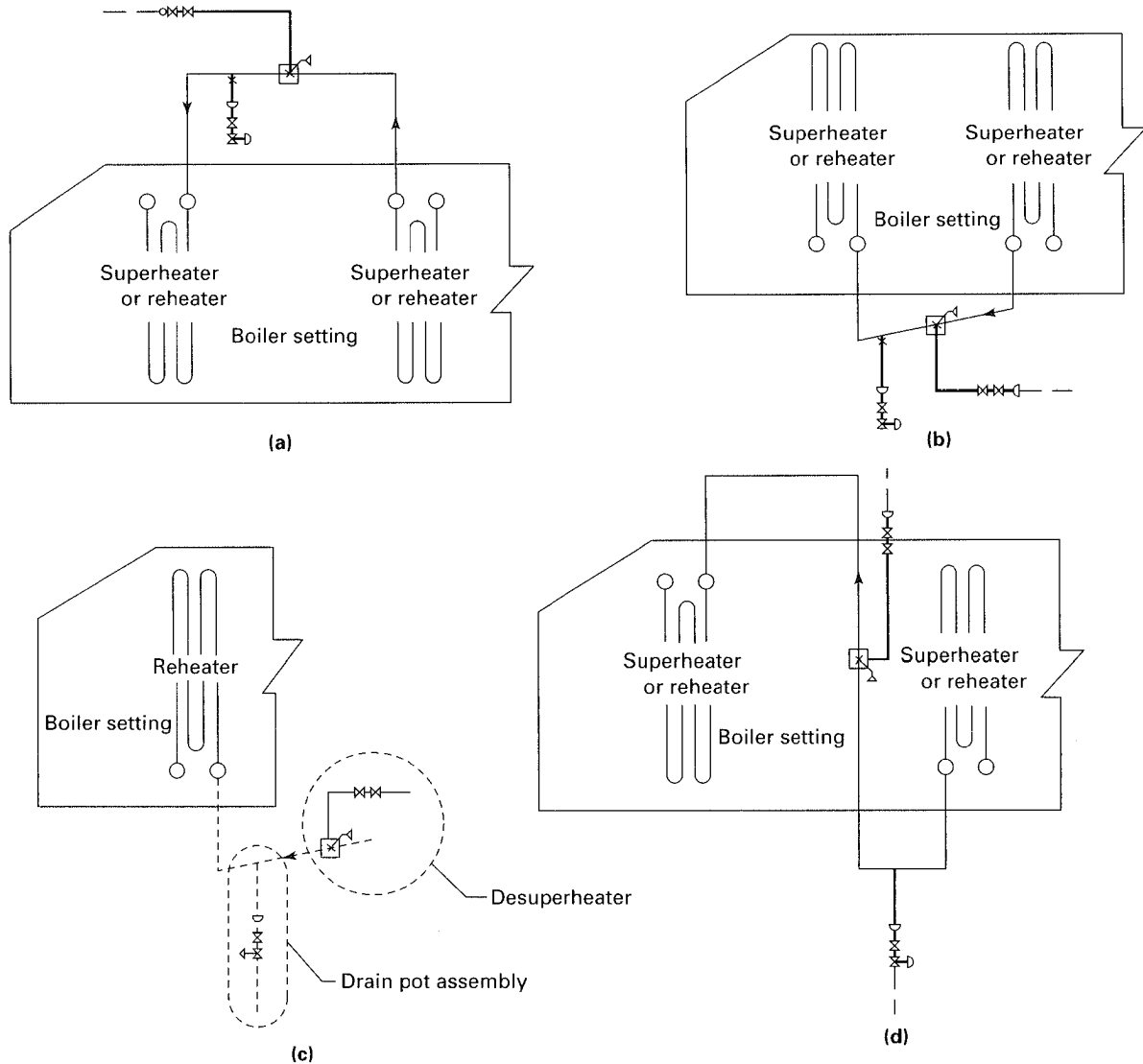
**PHRSG-3.4** All condensate removal piping shall have two quick-opening type valves and be routed to a blowdown tank, flash tank, manifold, or other connection device. The collection device shall not be operated at a higher pressure than the space being drained.

### PHRSG-4 DESUPERHEATER DRAIN POTS

Where desuperheater spray water is injected into superheater or reheater piping as a means to control steam temperature, the following shall be provided:

(a) Drain pots to detect and remove unvaporized spray water shall be installed in the boiler proper or boiler external piping either upstream or downstream of the desuperheater to ensure malfunctions of these devices will not allow water to enter hot boiler components. Drain pots

FIG. PHRSG-4 SOME ACCEPTABLE DESUPERHEATER SPRAYWATER PROTECTION DEVICE ARRANGEMENTS



**ADMINISTRATIVE JURISDICTION AND TECHNICAL RESPONSIBILITIES**

- Boiler Proper—The ASME Boiler and Pressure Vessel Code (BPVC) has total administrative jurisdiction and technical responsibility (refer to Section I Preamble).
- — Boiler External Piping and Joint—The ASME BPVC has total administrative jurisdiction (mandatory certification by Code Symbol stamping, ASME Data Forms, and authorized inspection) of Boiler External Piping and Joint. The ASME Section Committee B31.1 has been assigned technical responsibility.
- - - - - - Non-Boiler External Piping and Joint—Not Section I jurisdiction (see applicable ASME B31 Code)

TABLE PHRSG-4  
MINIMUM DRAIN POT SIZE

Attaching Pipe Size NPS (DN)	Minimum Drain Pot Size NPS (DN)
4 (100)	3 (75)
6 (150)	4 (100)
8 (200)	6 (150)
10 (250)	8 (200)
12 (300)	10 (250)
14 (350) and larger	12 (300)

shall include automatic detection of water and automatic operation of the drain pot valves as shown in Fig. PHRSG-4. Piping from the drain pot shall conform to the requirements of PHRSG-3.

(b) Drain pot connection size shall be no smaller than one NPS less than the pipe it is attached to, except it need not be greater than NPS 12 (DN 300). See Table PHRSG-4.

(c) Drain pots, with single element level control with time delay to close, are an acceptable method of detecting and removing unvaporized spray water.

(d) Piping layouts shall be sloped in all operating conditions so that unvaporized spray water from the desuperheater cannot bypass the drain pot.

(e) All desuperheater drain piping shall be routed to a blowdown or flash tank, manifold, or other collection device. The collection device shall not operate at a higher pressure than the space being drained.

**PHRSG-5 CERTIFICATION**

Manufacturer’s Data Reports shall be prepared in accordance with the requirements specified in Part PG. However, when the rules of Part PHRSG are used, each component affected shall be identified on the Manufacturer’s Data Report with the appropriate PHRSG paragraph referenced.

# MANDATORY APPENDIX I

## SUBMITTAL OF TECHNICAL INQUIRIES TO THE BOILER AND PRESSURE VESSEL COMMITTEE

### I-1 INTRODUCTION

(a) This Appendix provides guidance to Code users for submitting technical inquiries to the Committee. See Guideline on the Approval of New Materials Under the ASME Boiler and Pressure Vessel Code in Section II, Parts C and D for additional requirements for requests involving adding new materials to the Code. Technical inquiries include requests for revisions or additions to the Code rules, requests for Code Cases, and requests for Code interpretations, as described below.

(1) *Code Revisions.* Code revisions are considered to accommodate technological developments, address administrative requirements, incorporate Code Cases, or to clarify Code intent.

(2) *Code Cases.* Code Cases represent alternatives or additions to existing Code rules. Code Cases are written as a question and reply, and are usually intended to be incorporated into the Code at a later date. When used, Code Cases prescribe mandatory requirements in the same sense as the text of the Code. However, users are cautioned that not all jurisdictions or owners automatically accept Code Cases. The most common applications for Code Cases are to

(a) permit early implementation of an approved Code revision based on an urgent need

(b) permit the use of a new material for Code construction

(c) gain experience with new materials or alternative rules prior to incorporation directly into the Code

(3) *Code Interpretations.* Code Interpretations provide clarification of the meaning of existing rules in the Code, and are also presented in question and reply format. Interpretations do not introduce new requirements. In cases where existing Code text does not fully convey the meaning that was intended, and revision of the rules is required to support an interpretation, an Intent Interpretation will be issued and the Code will be revised.

(b) The Code rules, Code Cases, and Code Interpretations established by the Committee are not to be considered as approving, recommending, certifying, or endorsing any proprietary or specific design, or as limiting in any way

the freedom of manufacturers, constructors, or owners to choose any method of design or any form of construction that conforms to the Code rules.

(c) Inquiries that do not comply with the provisions of this Appendix or that do not provide sufficient information for the Committee's full understanding may result in the request being returned to the inquirer with no action.

### I-2 INQUIRY FORMAT

(10)

Submittals to the Committee shall include

(a) *Purpose.* Specify one of the following:

(1) revision of present Code rules

(2) new or additional Code rules

(3) Code Case

(4) Code Interpretation

(b) *Background.* Provide the information needed for the Committee's understanding of the inquiry, being sure to include reference to the applicable Code Section, Division, Edition, Addenda, if applicable, paragraphs, figures, and tables. Preferably, provide a copy of the specific referenced portions of the Code.

(c) *Presentations.* The inquirer may desire or be asked to attend a meeting of the Committee to make a formal presentation or to answer questions from the Committee members with regard to the inquiry. Attendance at a Committee meeting shall be at the expense of the inquirer. The inquirer's attendance or lack of attendance at a meeting shall not be a basis for acceptance or rejection of the inquiry by the Committee.

### I-3 CODE REVISIONS OR ADDITIONS

Requests for Code revisions or additions shall provide the following:

(a) *Proposed Revisions or Additions.* For revisions, identify the rules of the Code that require revision and submit a copy of the appropriate rules as they appear in the Code, marked up with the proposed revision. For additions, provide the recommended wording referenced to the existing Code rules.

(b) *Statement of Need.* Provide a brief explanation of the need for the revision or addition.

(c) *Background Information.* Provide background information to support the revision or addition, including any data or changes in technology that form the basis for the request that will allow the Committee to adequately evaluate the proposed revision or addition. Sketches, tables, figures, and graphs should be submitted as appropriate. When applicable, identify any pertinent paragraph in the Code that would be affected by the revision or addition and identify paragraphs in the Code that reference the paragraphs that are to be revised or added.

#### (10) I-4 CODE CASES

Requests for Code Cases shall provide a Statement of Need and Background Information similar to that defined in I-3(b) and I-3(c), respectively, for Code revisions or additions. The urgency of the Code Case (e.g., project underway or imminent, new procedure, etc.) must be defined and it must be confirmed that the request is in connection with equipment that will be ASME stamped, with the exception of Section XI applications. The proposed Code Case should identify the Code Section and Division, and be written as a *Question* and a *Reply* in the same format as existing Code Cases. Requests for Code Cases should also indicate the applicable Code Editions and Addenda, if applicable, to which the proposed Code Case applies.

#### I-5 CODE INTERPRETATIONS

(a) Requests for Code Interpretations shall provide the following:

(1) *Inquiry.* Provide a condensed and precise question, omitting superfluous background information and, when possible, composed in such a way that a “yes” or a “no” *Reply*, with brief provisos if needed, is acceptable. The question should be technically and editorially correct.

(2) *Reply.* Provide a proposed *Reply* that will clearly and concisely answer the *Inquiry* question. Preferably, the

*Reply* should be “yes” or “no,” with brief provisos if needed.

(3) *Background Information.* Provide any background information that will assist the Committee in understanding the proposed *Inquiry* and *Reply*.

(b) Requests for Code Interpretations must be limited to an interpretation of a particular requirement in the Code or a Code Case. The Committee cannot consider consulting type requests such as the following:

(1) a review of calculations, design drawings, welding qualifications, or descriptions of equipment or parts to determine compliance with Code requirements

(2) a request for assistance in performing any Code-prescribed functions relating to, but not limited to, material selection, designs, calculations, fabrication, inspection, pressure testing, or installation

(3) a request seeking the rationale for Code requirements

#### I-6 SUBMITTALS

Submittals to and responses from the Committee shall meet the following:

(a) *Submittal.* Inquiries from Code users shall be in English and preferably be submitted in typewritten form; however, legible handwritten inquiries will also be considered. They shall include the name, address, telephone number, fax number, and e-mail address, if available, of the inquirer and be mailed to the following address:

Secretary  
ASME Boiler and Pressure Vessel Committee  
Three Park Avenue  
New York, NY 10016-5990

As an alternative, inquiries may be submitted via e-mail to: [SecretaryBPV@asme.org](mailto:SecretaryBPV@asme.org).

(b) *Response.* The Secretary of the ASME Boiler and Pressure Vessel Committee or of the appropriate Subcommittee shall acknowledge receipt of each properly prepared inquiry and shall provide a written response to the inquirer upon completion of the requested action by the Code Committee.



## MANDATORY APPENDIX II

### STANDARD UNITS FOR USE IN EQUATIONS

TABLE II-1  
STANDARD UNITS FOR USE IN EQUATIONS

Quantity	U.S. Customary Units	SI Units
Linear dimensions (e.g., length, height, thickness, radius, diameter)	inches (in.)	millimeters (mm)
Area	square inches (in. <sup>2</sup> )	square millimeters (mm <sup>2</sup> )
Volume	cubic inches (in. <sup>3</sup> )	cubic millimeters (mm <sup>3</sup> )
Section modulus	cubic inches (in. <sup>3</sup> )	cubic millimeters (mm <sup>3</sup> )
Moment of inertia of section	inches <sup>4</sup> (in. <sup>4</sup> )	millimeters <sup>4</sup> (mm <sup>4</sup> )
Mass (weight)	pounds mass (lbm)	kilograms (kg)
Force (load)	pounds force (lbf)	newtons (N)
Bending moment	inch-pounds (in.-lb)	newton-millimeters (N-mm)
Pressure, stress, stress intensity, and modulus of elasticity	pounds per square inch (psi)	megapascals (MPa)
Energy (e.g., Charpy impact values)	foot-pounds (ft-lb)	joules (J)
Temperature	degrees Fahrenheit (°F)	degrees Celsius (°C)
Absolute temperature	Rankine (R)	kelvin (K)
Fracture toughness	ksi square root inches (ksi√in.)	MPa square root meters (MPa√m)
Angle	degrees or radians	degrees or radians
Boiler capacity	Btu/hr	watts (W)

## MANDATORY APPENDIX III CRITERIA FOR REAPPLICATION OF AN ASME CODE SYMBOL STAMP

### III-1 INTRODUCTION

After an item has been certified under ASME Section I, if the ASME Code symbol stamping becomes indistinct or the nameplate is illegible or lost, but traceability to the original certification can be established, the Code Symbol Stamp may be reapplied to the item.

### III-2 CONDITIONS

Reapplication of the ASME Code symbol shall only be permitted under the following conditions:

- (a) The Owner has requested the reapplication.
- (b) Where applicable, the jurisdiction has granted the request for reapplication.
- (c) The reapplication shall be performed by the original Manufacturer of the Code item. Where responsibility for the original Code certification has been maintained, reapplication by a successor organization to the original Manufacturer is permitted.
- (d) The reapplication shall be authorized and witnessed by an Inspector from an ASME-accredited Authorized

Inspection Agency, or by an authorized representative of the Qualified Inspection Organization or a Certified Individual, as applicable under the associated certification program.

(e) Reapplication of the Code Symbol Stamp shall be documented on a Certificate of Conformance for Reapplication of the ASME Code Symbol Stamp as shown in Form III-1A. The completed Certificate of Conformance for Reapplication of the ASME Code Symbol Stamp shall be retained as required for the original Manufacturer's Data Report.

### III-3 RULES

Reapplication of the ASME Code symbol shall only be provided to restore evidence of original compliance with ASME Section I requirements. Reapplication of the ASME Code symbol shall not be applied for certification of the current condition of the item or for certification to different requirements than originally constructed.

**FORM III-1A CERTIFICATE OF CONFORMANCE FOR REAPPLICATION OF THE ASME CODE SYMBOL STAMP  
In Accordance With Provisions of the ASME Boiler and Pressure Vessel Code**

(10)

1. Manufactured by: \_\_\_\_\_ (1)  
(Name and address)

2. Manufactured for: \_\_\_\_\_ (2)  
(Name and address)

3. Location of Installation: \_\_\_\_\_ (3)  
(Name and address)

4. Item Description: \_\_\_\_\_ (4) \_\_\_\_\_ (5) \_\_\_\_\_ (5) \_\_\_\_\_ (5)  
(Boiler/pressure vessel, etc.) (Mfg. Data Report Form) (Code symbol applied) (Year built)

5. Item Identification: \_\_\_\_\_ (6) \_\_\_\_\_ (6) \_\_\_\_\_ (6) \_\_\_\_\_ (6)  
(Manufacturer's Serial no.) (National Board no.) (Jurisdiction no.) (Other)

6. Original Construction Code: \_\_\_\_\_ (7) \_\_\_\_\_ (7) \_\_\_\_\_ (7) \_\_\_\_\_ (7)  
(Name/Section/Division) (Edition/Addenda, if applicable) (Code Cases)

7. Traceability to Code Certification. (Attach a copy of the original Manufacturer's Data Report.) \_\_\_\_\_ (8)

8. Remarks: \_\_\_\_\_ (9)

Authorization is requested to have the ASME Code symbol reapplied on the above described item in accordance with the rules of the ASME Boiler and Pressure Vessel Code.

Owner \_\_\_\_\_ (10)  
(Name and address)

Signature \_\_\_\_\_ (11) Title \_\_\_\_\_ (11) Date \_\_\_\_\_ (11)  
(Authorized Representative)

Authorization is granted to reapply the ASME Code Symbol Stamp on the above described item in accordance with the rules of the ASME Boiler and Pressure Vessel Code.

Jurisdiction \_\_\_\_\_ (12)

Signature \_\_\_\_\_ (13) Date \_\_\_\_\_ (13)  
(Authorized Representative)

I certify that to the best of my knowledge and belief, the statements in this Certificate of Conformance are correct and that the reapplication of the ASME Code symbol is in accordance with provisions of the ASME Boiler and Pressure Vessel Code. Furthermore, it is understood that reapplication of the ASME Code symbol is provided to restore evidence of original compliance with the construction code and is not to be construed as endorsement of the identified item in its current condition.

Name of Original Manufacturer \_\_\_\_\_ (14)  
(Name and address)

Responsible Successor Organization \_\_\_\_\_ (15)  
(Name and address)

Signature \_\_\_\_\_ (16) Date \_\_\_\_\_ (16)  
(Authorized Representative)

Code Symbol Stamp \_\_\_\_\_ (17) Certificate of Authorization No. \_\_\_\_\_ (17) Expiration Date \_\_\_\_\_ (17)

Inspected by \_\_\_\_\_ (18) Designated Oversight by (18)  AIA  QIO  CI  
(Name of individual)

Employer \_\_\_\_\_ (20)  
(Name and address)

Signature \_\_\_\_\_ (21) Date \_\_\_\_\_ (21) Commissions \_\_\_\_\_ (21)  
(Inspector) (Jurisdiction, if applicable)

(07/10)

(10)

**GUIDE FOR COMPLETING THE CERTIFICATE OF CONFORMANCE FOR  
REAPPLICATION OF THE ASME CODE SYMBOL STAMP**

---

- ① Name and address of the original Manufacturer responsible for Code construction.
- ② Name and address of the Purchaser and/or Owner.
- ③ Name and address of plant or facility where the item is installed.
- ④ Name of the item documented by this Certificate of Conformance.
- ⑤ Identify the Manufacturer's data report form, Code symbol as originally applied to the item, and year built.
- ⑥ Provide identification of the item by applicable numbers as assigned by the Manufacturer.
- ⑦ Identify the Code name, section, division, edition, addenda (if applicable), and any code cases, as used for construction.
- ⑧ Describe the basis for establishing traceability of the identified item to the original Code certification. Attach a copy of the original Manufacturer's data report. If reapplication is not performed under the same Certificate of Authorization number as the original construction, also describe the basis for establishing continuity to the original Manufacturer.
- ⑨ Provide any clarifications or additional information as may be appropriate.
- ⑩ Name and address of the Owner.
- ⑪ Signature, date, and title of Owner's authorized representative requesting reapplication of the Code symbol stamping of the item.
- ⑫ Name of the jurisdiction granting authorization for reapplication of the Code symbol stamp. If not applicable, so indicate.
- ⑬ Signature and date of authorized representative from the jurisdiction granting authorization for reapplication of the Code symbol. If not applicable, so indicate.
- ⑭ Name and address of the original Manufacturer.
- ⑮ Name and address of responsible successor organization to the original Manufacturer. If not applicable, so indicate.
- ⑯ Signature and date of authorized representative from the original Manufacturer or successor organization providing reapplication of the Code symbol.
- ⑰ Code symbol stamp, Certificate of Authorization number, and current expiration date under which the reapplication activity is performed.
- ⑱ Name of the individual providing verification oversight of the reapplication activity.
- ⑲ Indicate the type of designated oversight in accordance with the associated certification program, i.e., ASME-accredited Authorization Inspection Agency, Qualified Inspection Organization, or Certified Individual.
- ⑳ Identify the employer's name and address of the individual providing verification oversight of the reapplication activity.
- ㉑ Signature, date, and, if applicable, jurisdictional commission of the individual providing verification oversight of the reapplication activity.

# MANDATORY APPENDIX IV

## LOCAL THIN AREAS IN CYLINDRICAL SHELLS AND IN SPHERICAL SEGMENTS OF HEADS

### IV-1 SCOPE

The rules of this Mandatory Appendix permit the thickness of local thin areas (LTAs) to be less than the required thickness:

(a) in cylindrical shells under internal pressure required by PG-27

(b) in spherical segments of heads (such as hemispherical heads and the spherical portion of torispherical and ellipsoidal heads) under internal pressure on the concave side required by PG-29.1 and PG-29.11

Local thin areas on the inside or outside of cylindrical shells or spherical segments of heads designed for internal pressure are acceptable, provided they meet the requirements of this Mandatory Appendix.

(2) No edge of an LTA shall be closer than  $2.5 \sqrt{(R \cdot t)}$  from a structural discontinuity such as a head or stiffener.

(3) The minimum axial distance between the edge of the LTA and the edge of any nonreinforced opening shall be equal to or greater than the inside diameter of the opening plus  $\sqrt{(R \cdot t)}$ .

(4) The minimum axial distance between the edge of the LTA and the reinforcement limit of a reinforced opening shall be equal to or greater than  $\sqrt{(R \cdot t)}$ .

(5) The blend between the LTA and the thicker surface shall be with a taper length not less than three times the LTA depth as shown in Fig. IV-2-1, illustration (b). The minimum bottom blend radius shall be equal to or

### IV-2 CYLINDRICAL SHELLS

The thickness of local thin areas on the inside or outside surface of a cylindrical shell designed for internal pressure may be less than required by PG-27 provided the local thin areas satisfy the following rules:

(a) *Nomenclature (see Fig. IV-2-1)*

- $C$  = projected circumferential length of LTA, in.
- $L$  = projected axial length of LTA, in.
- LTA = local thin area
- $t_L$  = minimum thickness of LTA, in.
- $\theta$  = see Fig. IV-2-1

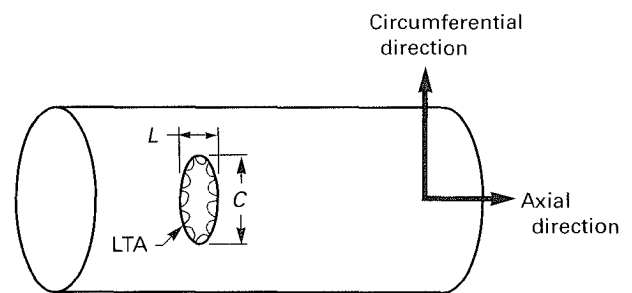
See PG-27(b) for other nomenclature used in this Mandatory Appendix.

(b) *Single LTA*

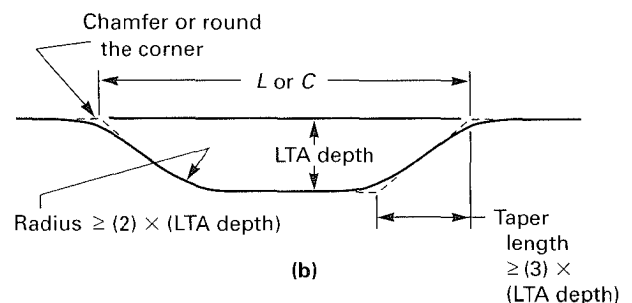
(1) The single LTA shall satisfy the following equations:

- (1)  $\frac{t_L}{t} \geq 0.9$
- (2)  $L \leq \sqrt{(R \cdot t)}$
- (3)  $C \leq 2\sqrt{(R \cdot t)}$
- (4)  $t - t_L \leq \frac{3}{16}$  in.

FIG. IV-2-1 SYMBOLS

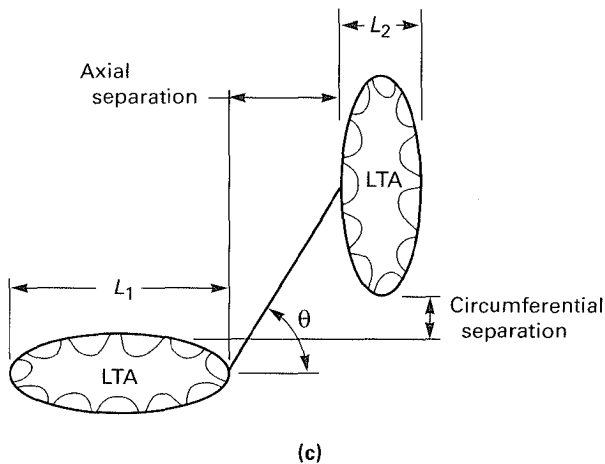


(a)



(b)

FIG. IV-2-1 SYMBOLS (CONT'D)



greater than two times the LTA depth as shown in Fig. IV-2-1, illustration (b).

(6) The longitudinal stresses on the LTA from mechanical loads other than internal pressure shall not exceed 0.3S.

(7) These requirements shall only be applied at the temperatures where the allowable stresses listed in allowable stress tables in Section II, Part D are not controlled by time-dependent properties.

(c) *Multiple LTAs.* A pair of local thin areas with finished axial length  $L_1$  and  $L_2$  are acceptable if the individual LTA satisfies the requirements of (b) above, either condition in (c)(1) or (c)(2) below is met, and the requirements in (c)(3) through (c)(6) below are met.

(1) When  $\theta \leq 45$  deg, the minimum axial separation [see Fig. IV-2-1, illustration (c)] shall be the greater of

$$\frac{(1.0 + 1.5 \cos \theta)(L_1 + L_2)}{2} \text{ or } 2t$$

(2) When  $\theta > 45$  deg, both of the following shall be met:

(a) The minimum axial separation shall be equal to or greater than

$$\frac{2.91 \cos \theta (L_1 + L_2)}{2}$$

(b) The minimum circumferential separation shall be equal to or greater than  $2t$ .

(3) Multiple pairs of LTA are acceptable provided all pairs meet the rules of a single pair specified in subpara. (c)(2)(b) above.

(4) Multiple local thin areas may be combined as a single LTA. The resultant single LTA is acceptable if it satisfies the rules of (c)(2)(a) above.

(d) *Recording Location of LTAs.* The required minimum thickness  $t$  and the dimensions  $t_L$ ,  $L$ , and  $C$  of the LTA

shall be noted on the Manufacturer's Data Report. The location of the LTA shall be specified in sufficient detail on the Manufacturer's Data Report to identify it clearly to the end user and the in-service inspector.

(e) *Code Requirements.* All other applicable Code requirements shall be met.

(f) *Manufacturer's Data Report.* The use of this Mandatory Appendix shall be shown on the Manufacturer's Data Report.

### IV-3 SPHERICAL SEGMENTS OF HEADS

The thickness of local thin areas on the inside or outside surface of spherical segments of heads (such as hemispherical heads and the spherical portion of torispherical and ellipsoidal heads) under pressure on the concave side, may be less than required by PG-29.1 and PG-29.11 provided the local thin areas satisfy the following conditions:

(a) *Nomenclature (See Figs. IV-3-1 through IV-3-5)*

- $D_L$  = maximum dimension of LTA, in.
- LTA = local thin area
- $R$  = inside radius for spherical segment, in.
- $t$  = required head thickness per PG-29, in.
- $t_L$  = minimum thickness of LTA, in.

(b) *Single LTA*

(1) The single LTA shall satisfy the following equations:

$$\frac{t_L}{t} \geq 0.9 \tag{1}$$

$$D_L \leq \sqrt{(R \cdot t)} \tag{2}$$

$$t - t_L \leq \frac{3}{16} \text{ in.} \tag{3}$$

(2) The minimum distance between the edge of the LTA and the edge of any unreinforced opening shall be equal to or greater than the inside diameter of the opening plus  $\sqrt{(R \cdot t)}$ .

(3) The minimum distance between the edge of the LTA and the reinforcement limit of a reinforced opening shall be equal to or greater than  $\sqrt{(R \cdot t)}$ .

(4) No edges of an LTA shall be closer than  $2.5 \sqrt{(R \cdot t)}$  from a structural discontinuity.

(5) A constant thickness junction between head and cylindrical shell is not considered a discontinuity for LTA rules.

(6) The blend between the LTA and the thicker surface shall be with a taper length not less than three times the LTA depth. The minimum bottom blend radius shall be equal to or greater than two times the LTA depth. The blend requirements are shown in Fig. IV-3-1.

(7) The LTA for a torispherical head must lie entirely within the spherical portion of the head. See Fig. IV-3-2.

FIG. IV-3-1 BLEND REQUIREMENTS

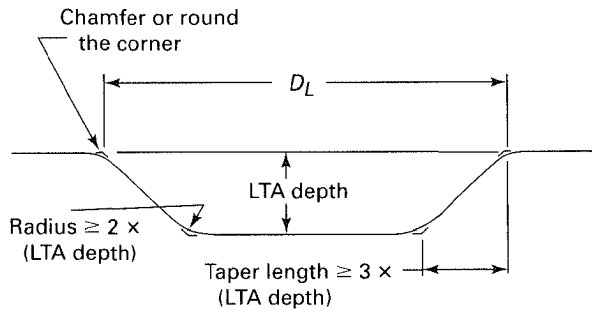


FIG. IV-3-2

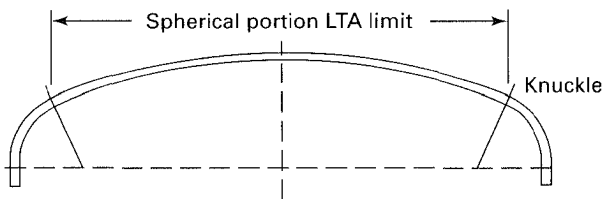
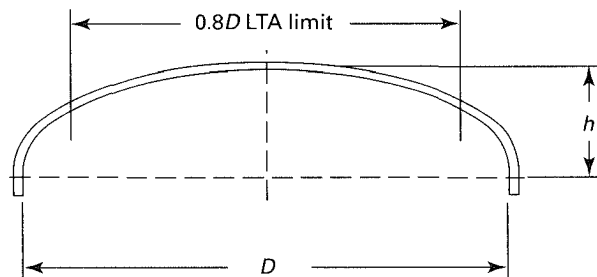


FIG. IV-3-3



(8) The LTA for an ellipsoidal head must lie entirely within a circle, the center of which coincides with the axis of the vessel and the diameter of which is equal to 80% of the shell inside diameter. See Fig. IV-3-3.

(9) The LTA for a hemispherical head is acceptable within any portion of the head except as limited by (b)(4) above. See Fig. IV-3-4.

(10) The provisions of these rules do not apply to the knuckle portion of a torispherical or to the region outside the region of an ellipsoidal head or to flat heads.

(11) These rules shall only be applied at temperatures where the allowable stresses listed in the allowable stress tables in Section II, Part D are not controlled by time-dependent properties.

FIG. IV-3-4

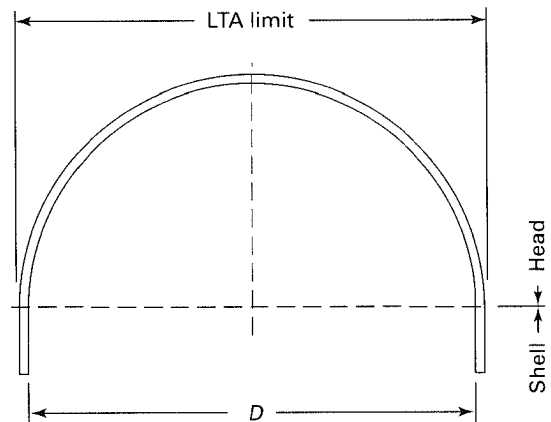
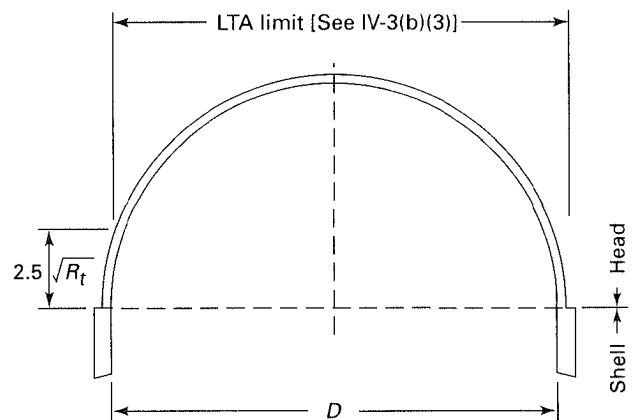


FIG. IV-3-5



(c) Multiple LTAs

(1) Multiple LTAs may be combined and evaluated as a single LTA. The encompassed areas of the combined LTAs shall be within the  $D_L$  dimension.

(2) Each LTA in the encompassed area shall meet the rules of (b)(1) above.

(3) Multiple LTAs may be treated as single LTAs provided their edges are no closer than  $2.5 \sqrt{(R \cdot t)}$ .

(d) *Recording Locations of LTAs.* The location and dimensions  $t_L$  and  $D_L$  of the LTA shall be noted on the Manufacturer's Data Report.

(e) *Code Requirements.* All other applicable code requirements shall be met.

(f) *Manufacturer's Data Report.* The use of this Mandatory Appendix shall be shown on the Manufacturer's Data Report.

# NONMANDATORY APPENDIX A

## EXPLANATION OF THE CODE CONTAINING MATTER NOT MANDATORY UNLESS SPECIFICALLY REFERRED TO IN THE RULES OF THE CODE

### BRACED AND STAYED SURFACES

(See Fig. A-8)

#### A-8

The allowable loads based on the net cross-sectional areas of staybolts with V-threads are computed from the following equations. The use of Whitworth threads with other pitches is permissible.

The equation for the diameter of a staybolt at the bottom of a V-thread is

$$D - (P \times 1.732) = d$$

where

$D$  = diameter of staybolt over the threads

$d$  = diameter of staybolt at bottom of threads

$P$  = pitch of threads

= 1/number of threads/in. (25 mm)

1.732 = a constant

When ASME Standard threads are used, the equation becomes

$$D - (P \times 1.732 \times 0.75) = d$$

### METHOD OF CHECKING PRESSURE RELIEF VALVE CAPACITY BY MEASURING MAXIMUM AMOUNT OF FUEL THAT CAN BE BURNED

#### A-12

The maximum quantity of fuel  $C$  that can be burned per hour at the time of maximum forcing is determined by a test. The maximum number of heat units per hour, or  $CH$ , is then determined, using the values of  $H$  given in A-17. The weight of steam generated per hour is found by the following equation:

(U.S. Customary Units)

$$W = \frac{C \times H \times 0.75}{1,100}$$

(SI Units)

$$W = \frac{C \times H \times 0.75}{2,558}$$

where

$C$  = total weight or volume of fuel burned/hr at time of maximum forcing, lb/hr (kg/hr) or ft<sup>3</sup>/hr (m<sup>3</sup>/hr)

$H$  = heat of combustion of fuel, Btu/lb (kJ/kg) or Btu/ft<sup>3</sup> (kJ/m<sup>3</sup>) (see A-17)

$W$  = weight of steam generated/hr, lb (kg/hr)

The sum of the pressure relief valve capacities marked on the valves shall be equal to or greater than  $W$ .

#### A-13 EXAMPLE 1

A boiler at the time of maximum forcing uses 2,150 lb/hr of Illinois coal with a heating value of 12,100 Btu/lb. Boiler pressure is 225 psi gage.

$$C \times H = 2,150 \times 12,100 = 26,015,000$$

$$W = \frac{C \times H \times 0.75}{1,100} = 17,740$$

#### A-14 EXAMPLE 2

Wood shavings of heat of combustion of 6,400 Btu/lb are burned under a boiler at the maximum rate of 2,000 lb/hr. Boiler pressure is 100 psi gage.

$$C \times H = 2,000 \times 6,400 = 12,800,000$$

$$W = \frac{C \times H \times 0.75}{1,100} = 8,730$$



FIG. A-8 DETAIL SKETCHES SHOWING APPLICATION OF PG-48 AND PFT-27 TO THE STAYING OF BOILERS

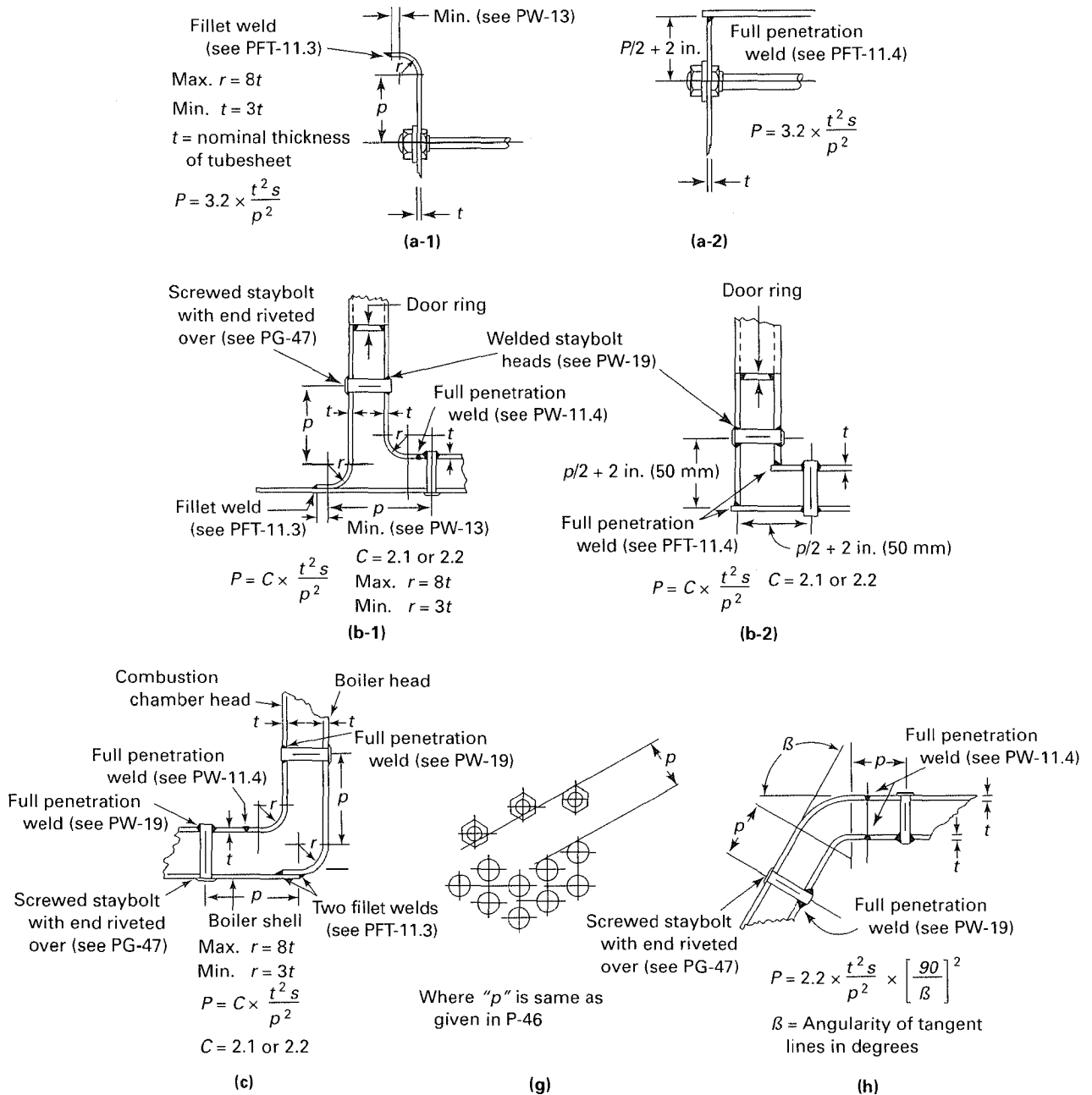


FIG. A-8 DETAIL SKETCHES SHOWING APPLICATION OF PG-48 AND PFT-27 TO THE STAYING OF BOILERS (CONT'D)

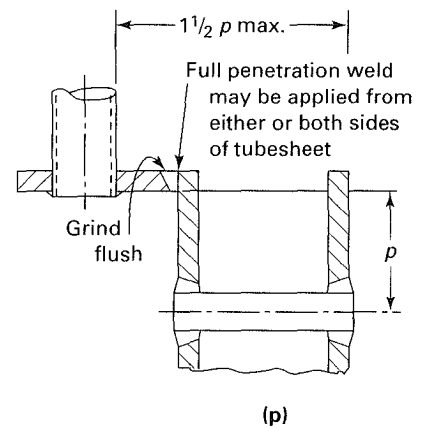
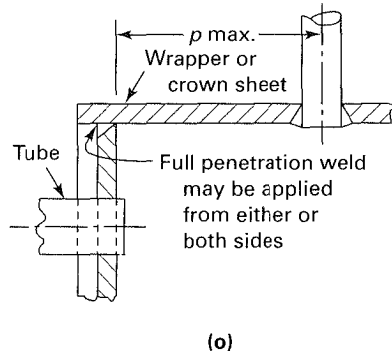
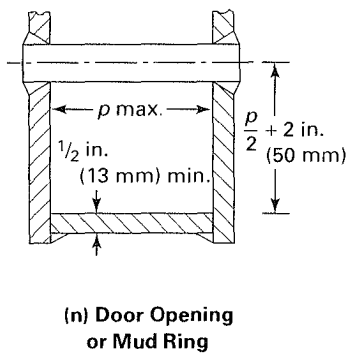
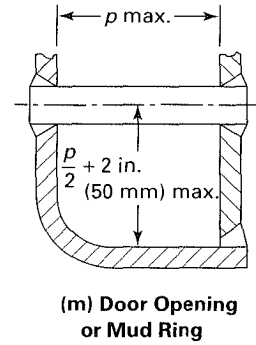
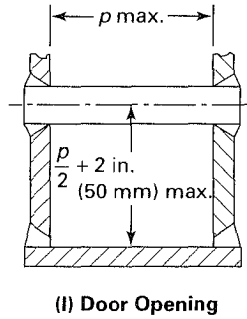
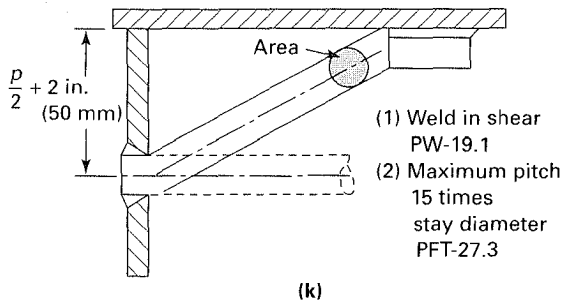
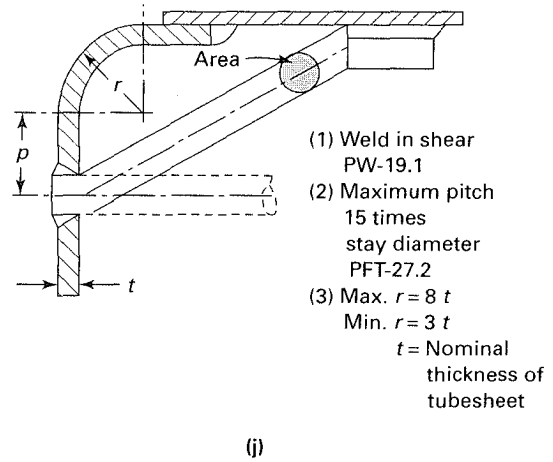
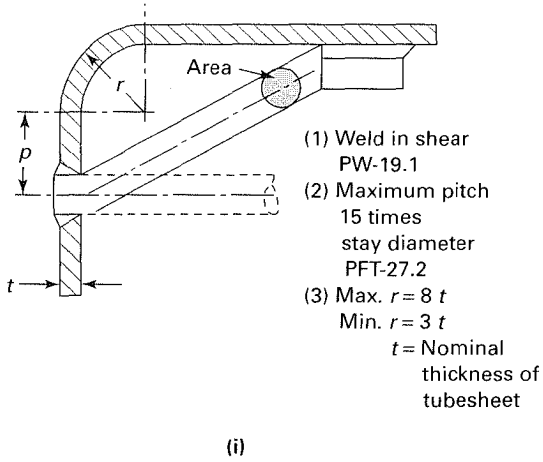
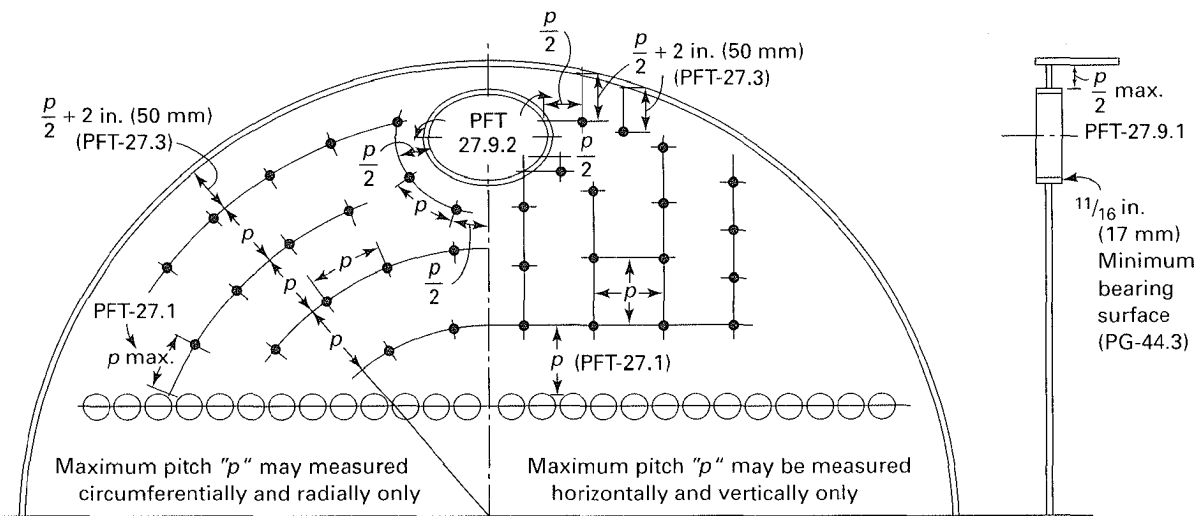
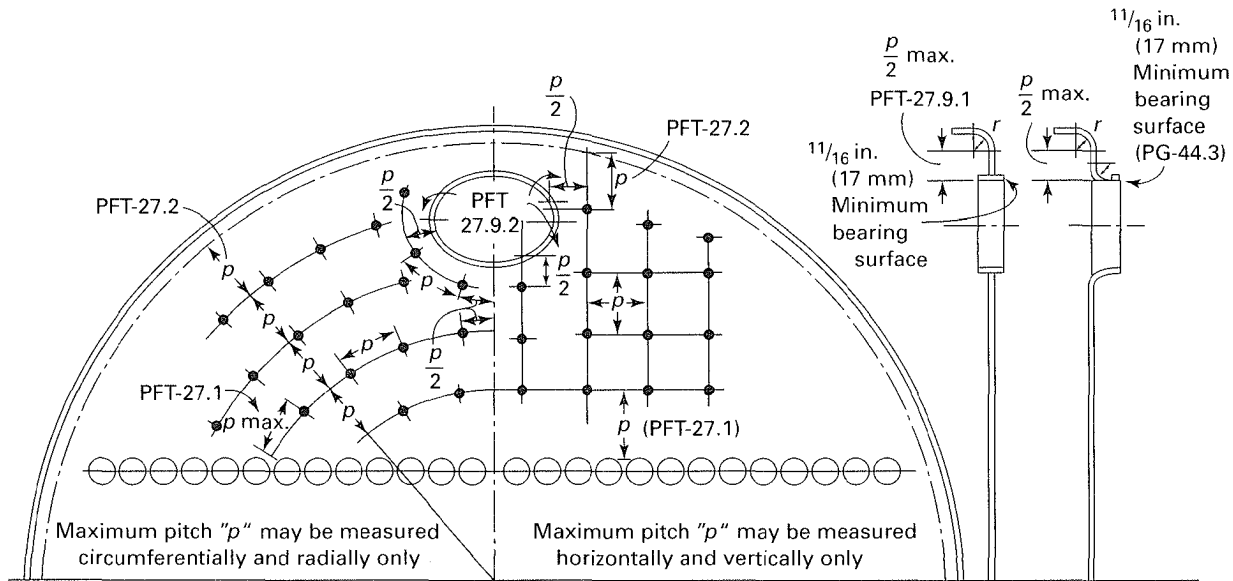


FIG. A-8 DETAIL SKETCHES SHOWING APPLICATION OF PG-48 AND PFT-27 TO THE STAYING OF BOILERS (CONT'D)



- (1) Provide stay cross-sectional area required by PG-49 based upon allowable stresses from Table 1A of Section II, Part D.
- (2) Provide the number of stays required to not exceed the maximum calculated pitch.
- (3) Diagonal stay stresses must not exceed limits computed from PFT-32.

(q)



- (1) Provide stay cross-sectional area required by PG-49 based upon allowable stresses from Table 1A of Section II, Part D.
- (2) Provide the number of stays required to not exceed the maximum calculated pitch.
- (3) Diagonal stay stresses must not exceed limits computed from PFT-32.

(r)

**A-15 EXAMPLE 3**

An oil-fired boiler at maximum forcing uses 1,000 lb/hr of crude oil (Texas). Boiler pressure is 275 psi gage.

$$C \times H = 1,000 \times 18,500 = 18,500,000$$

$$W = \frac{C \times H \times 0.75}{1,100} = 12,620$$

**A-16 EXAMPLE 4**

A boiler fired with natural gas consumes 3,000 ft<sup>3</sup>/hr. The working pressure is 150 psi gage.

$$C \times H = 3,000 \times 960 = 2,880,000$$

$$W = \frac{C \times H \times 0.75}{1,100} = 1,960$$

**A-17**

For the purpose of checking the pressure relief valve capacity as described in A-12, the following values of heats of combustion of various fuels may be used:

Fuel Type	H, Btu/lb (kJ/kg)
Semibituminous coal	14,500 (34 000)
Anthracite	13,700 (32 000)
Screenings	12,500 (29 000)
Coke	13,500 (31 000)
Wood, hard or soft, kiln dried	7,700 (18 000)
Wood, hard or soft, air dried	6,200 (14 000)
Wood shavings	6,400 (14 400)
Peat, air dried, 25% moisture	7,500 (17 000)
Lignite	10,000 (23 300)
Kerosene	20,000 (46 500)
Petroleum, crude oil, Pennsylvania	20,700 (48 000)
Petroleum, crude oil, Texas	18,500 (43 000)

Fuel Type	H, Btu/ft <sup>3</sup> (kJ/m <sup>3</sup> )
Natural gas	960 (35 700)
Blast-furnace gas	100 (3 700)
Producer gas	150 (5 600)
Water gas, uncarbureted	290 (11 000)

**AUTOMATIC WATER GAGES**

**A-18**

Automatic shutoff valves intended to restrict the flow from a damaged water gage without human intervention shall conform to the requirements of A-18.1 through A-18.6.

**A-18.1** Check valves in upper and lower fittings shall be of solid noncorrosive metal ball type to avoid need for guides.

**A-18.2** Ball check valves in upper and lower fittings must open by gravity and the lower ball check valve must rise vertically to its seat.

**A-18.3** The check balls must be not smaller than 1/2 in. (13 mm) in diameter, and the diameter of the circle of contact with the seat must be not greater than two-thirds of the diameter of the check ball. The space around each ball must be not less than 1/8 in. (3.0 mm), and the travel movement from the normal resting place to the seat must be not less than 1/4 in. (6 mm).

**A-18.4** The ball seat in the upper fitting must be a flat seat with either a square or hexagonal opening, or otherwise arranged so that the steam passage can never be completely closed by this valve.

**A-18.5** The shutoff valve in the upper fitting must have a projection that holds the ball at least 1/4 in. (6 mm) away from its seat when the shutoff valve is closed.

**A-18.6** The balls must be accessible for inspection. Means must be provided for removal and inspection of the lower ball check valve while the boiler is under steam pressure.

These restrictions do not apply to closing the valves by external methods.

**FUSIBLE PLUGS**

(See Fig. A-19)

**A-19**

**A-19.1** Fire-actuated fusible plugs, if used, except as provided in A-20.9, shall be filled with tin of the following composition, having a melting point between 445°F and 450°F (229°C and 232°C):

Pure tin, min	99.3%
Copper, max	00.5%
Lead, max	00.1%
Total impurities	00.7%

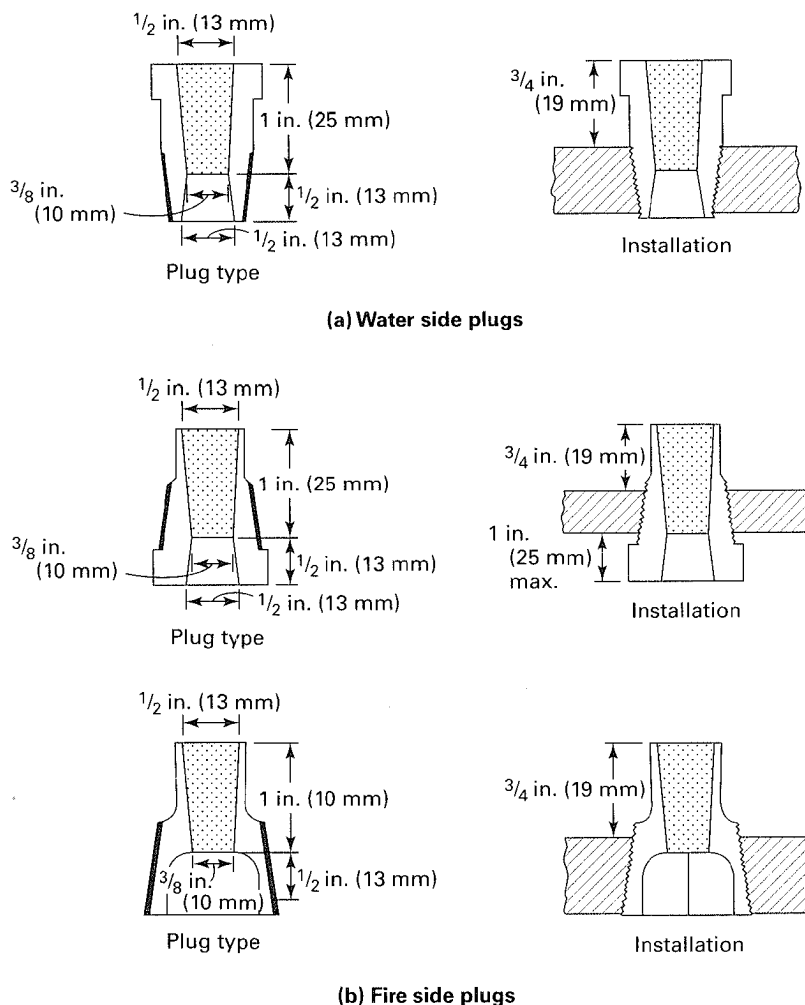
**A-19.2** The fusible metal shall extend from the water end of the plug to the point of least diameter of the hole and shall be carefully alloyed to the casing. A test shall be made to determine that the fusible metal is not loose in the plug.

**A-19.3** Fusible plugs shall be replaced at least once each year. Casings that have been used shall not be refilled.

**A-19.4** Fusible plugs filled with tin as specified in A-19.1 shall not be used for pressures and temperatures that will cause the plug to fail while it is submerged in the boiler water.

The fusible metal may be partly replaced by a bronze plug loosely fitted to the hole and of such size that it will pass freely through the hole on the fire side, from which

FIG. A-19 TYPICAL FORMS OF FUSIBLE PLUGS



(a) Water side plugs

(b) Fire side plugs

GENERAL NOTE: All dimensions minimum unless otherwise specified

side it must be inserted into the casing. Such plug shall be properly alloyed to the casing with the same fusible metal as required by A-19.1.

## A-20

**A-20.1** Water side plugs are fusible plugs that are inserted from the water side of the plate, flue, or tube to which they are attached. Fire side plugs are fusible plugs inserted from the fire side of the plate, flue, or tube to which they are attached.

**A-20.2** The casing of the fusible plugs shall be made of a composition conforming to SB-61 or from phosphor-bronze rods conforming to ASTM B 139.

**A-20.3** Typical designs of fusible plugs are given in Fig. A-19.

**A-20.4** The bore of the casing shall be tapered continuously from the water end of the casing for a distance of at least 1 in. to a diameter of not less than  $\frac{3}{8}$  in. (10 mm) at a point not less than  $\frac{1}{2}$  in. (13 mm) from the fire end. The diameter of the bore at either end shall be not less than  $\frac{1}{2}$  in. (13 mm). The hole on the fire end shall be as large as possible and may be of any shape provided the cross-sectional area at all points is greater than the area of the least cross section of the fusible metal.

**A-20.5** A fusible plug shall be of such length that when installed it shall project at least  $\frac{3}{4}$  in. (19 mm) on the water side of the plate, tube, or flue. It shall extend through the plate, tube, or flue on the fire side as little as possible but not more than 1 in. (25 mm).

**A-20.6** A fire side plug may be designed so as to be inserted by means of a plug type wrench, so as to reduce the projection on the fire side.

**A-20.7** If a fire-actuated fusible plug is inserted in a tube, the tube wall *at the plug* shall not be less than 0.22 in. (5.6 mm) thick, or sufficient to give four full threads.

**A-20.8** Fusible plugs that comply with the requirements of A-19 and A-20 must be stamped on the casing with the name of the manufacturer, and on the water end of the fusible metal "ASME Std."

**A-20.9** Fusible metal, other than tin as specified in A-19.1, for use under temperatures exceeding 450°F (229°C), may be used and the casing may be made of other material and shape than specified in A-20.2 through A-20.4 if the metal and the casing are approved by the administrative authority. Such plugs shall not be marked as "ASME Std."

## A-21

Fire-actuated fusible plugs, if used, shall be located at the lowest permissible water level as determined by the boiler Manufacturer; steam-actuated plugs, if used, shall be so located that they will operate when the water level is at the point where a fire-actuated fusible plug would be located.

## PROOF TESTS TO ESTABLISH MAXIMUM ALLOWABLE WORKING PRESSURE

### A-22

**A-22.1 Scope.** The maximum allowable working pressure for pressure parts of boilers for which the strength cannot be computed with a satisfactory assurance of accuracy shall be established in accordance with the requirements of this paragraph, using one of the test procedures applicable to the type of loading and to the material used in its construction.

The tests in these paragraphs may be used only for the purpose of establishing the maximum allowable working pressure of those elements or component parts for which the thickness cannot be determined by means of the design rules given in this Code. The maximum allowable working pressure of all other elements or component parts shall not be greater than that determined by means of the applicable design rules.

#### A-22.2 Tests

**A-22.2.1 Types.** Provision is made for two types of tests for determining the internal maximum allowable working pressure

**A-22.2.1.1** Tests based on yielding of the part to be tested. These tests are limited to materials with a ratio

of minimum specified yield to minimum specified ultimate strength of 0.625 or less.

**A-22.2.1.2** Tests based on bursting of the part.

**A-22.2.2 Retests.** A retest shall be allowed on a duplicate pressure part if errors or irregularities are obvious in the test results.

**A-22.2.3 Precautions.** Safety of testing personnel should be given serious consideration when conducting proof tests, and particular care should be taken during bursting tests in A-22.6.3.

#### A-22.3 Pressure

**A-22.3.1 Previously Applied.** The pressure parts for which the maximum allowable working pressure is to be established shall not previously have been subjected to a pressure greater than  $1\frac{1}{2}$  times the desired or anticipated maximum allowable working pressure, adjusted for design temperature as provided in A-22.8.

**A-22.3.2 Application.** In the procedures given in A-22.6.1 for the Strain Measurement Test, and A-22.6.2 for the Displacement Measurement Test, the hydrostatic pressure in the pressure part shall be increased gradually until approximately one-half the anticipated maximum allowable working pressure is reached. Thereafter, the test pressure shall be increased in steps of approximately one-tenth or less of the anticipated maximum allowable working pressure until the pressure required by the test procedure is reached. The pressure shall be held stationary at the end of each increment for a sufficient time to allow the observations required by the test procedure to be made, and shall be released to zero to permit determination of any permanent strain or displacement after any pressure increment that indicates an increase in strain or displacement over the previous equal pressure increment.

**A-22.4 Critical Areas.** As a check that the measurements are being taken on the most critical areas, the Inspector may require a brittle coating to be applied on all areas of probable high stress concentrations in the test procedures given in A-22.6.1 and A-22.6.2. The surfaces shall be suitably clean before the coating is applied in order to obtain satisfactory adhesion. The technique shall be suited to the coating material.

NOTE: Strains should be measured as they apply to membrane stresses and to bending stresses within the following range. It is recognized that high localized and secondary bending stresses may exist in pressure parts designed and fabricated in accordance with these rules. Insofar as practical, design rules for details have been written to hold such stresses at a safe level consistent with experience.

**A-22.5 Yield Strength and Tensile Strength.** For proof tests based on yielding, A-22.6.1 or A-22.6.2, the yield strength (or yield point for those materials which exhibit that type of yield behavior indicated by a "sharp-kneed" portion of the stress-strain diagram) of the material

in the part tested, shall be determined in accordance with the method prescribed in the applicable material specification and as described in ASTM E 8, Tension Testing of Metallic Materials. For proof tests based on bursting, A-22.6.3, the tensile strength instead of the yield strength of the material in the part tested shall be similarly determined.

Yield or tensile strength so determined shall be the average from three or four specimens cut from the part tested after the test is completed. The specimens shall be cut from a location where the stress during the test has not exceeded the yield strength. The specimens shall not be oxygen cut because this might affect the strength of the material.

When excess stock from the same piece of wrought material is available and has been given the same postweld heat treatment as the pressure part, the test specimens may be cut from this excess stock. The specimens shall not be removed by flame cutting or any other method involving sufficient heat to affect the properties of the specimen.

If yield or tensile strength are not determined by test specimens from the pressure part tested, alternative methods are given in A-22.6.1, A-22.6.2, and A-22.6.3 for evaluation of proof test results to establish the maximum allowable working pressure.

## A-22.6 Procedure

### A-22.6.1 Strain Measurement Test

**A-22.6.1.1** Subject to limitations of A-22.2.1.1, this procedure may be used for pressure parts under internal pressure, constructed of any material permitted to be used under the rules of Section I. Strains shall be measured in the direction of the maximum stress at the most highly stressed parts (see A-22.4) by means of strain gages of any type capable of indicating strains to 0.00005 in./in. Pressure shall be applied as provided in A-22.3.2.

**A-22.6.1.2** After each increment of pressure has been applied, readings of the strain gages and the hydrostatic pressure shall be taken and recorded. The pressure shall be released and any permanent strain at each gage shall be determined after any pressure increment that indicates an increase in strain for this increment over the previous equal pressure increment. Only one application of each increment of pressure is required.

**A-22.6.1.3** Two curves of strain against test pressure shall be plotted for each gage line as the test progresses, one showing the strain under pressure and one showing the permanent strain when the pressure is removed. The test may be discontinued when the test pressure reaches the value  $H$ , which will, by the formula, justify the desired working pressure but shall not exceed the pressure at which the plotted points for the most highly strained gage line reaches the value given below for the material used.

**A-22.6.1.3.1** 0.2% permanent strain for carbon, low-alloy and high-alloy steels.

**A-22.6.1.3.2** 0.5% strain under pressure for copper-base alloys.

**A-22.6.1.3.3** 0.2% permanent strain for nickel alloys.

**A-22.6.1.4** The maximum allowable working pressure  $P$  in pounds per square inch at test temperature for parts tested under this paragraph shall be computed by one of the following equations.

**A-22.6.1.4.1** If the average yield strength is determined by A-22.5

$$P = 0.5H \frac{Y_s}{Y_a}$$

**A-22.6.1.4.2** If the actual average yield strength is not determined by test specimens

$$P = 0.4H$$

where

$H$  = hydrostatic test pressure, at which the test was stopped in accordance with A-22.6.1.3

$Y_a$  = yield strength — actual average from test specimens

$Y_s$  = yield strength — specified minimum

The maximum allowable working pressure at other temperatures shall be determined as provided in A-22.8.

### A-22.6.2 Displacement Measurement Test

**A-22.6.2.1** Subject to the limitations of A-22.2.1.1 this procedure may be used only for pressure parts under internal pressure, constructed of materials having a definitely determinable yield point. Displacement shall be measured at the most highly stressed parts (see A-22.4) by means of measuring devices of any type capable of measuring to 0.001 in. (0.02 mm). This displacement may be measured between two diametrically opposed reference points in a symmetrical structure, or between a reference point and a fixed base point. Pressure shall be applied as provided in A-22.3.2.

**A-22.6.2.2** After each increment of pressure has been applied, readings of the displacement and the hydrostatic pressure shall be taken and recorded. The pressure shall be released and any permanent displacement shall be determined after any pressure increment that indicates an increase in measured displacement for this increment over the previous equal pressure increment. Only one application of each increment is required. Care must be taken to assure that the readings represent only displacements of the parts on which measurements are being made and do not include any slip of the measuring devices or any movement of the fixed base points or of the pressure part as a whole.

**A-22.6.2.3** Two curves of displacement against test pressure shall be plotted for each reference point as

the test progresses, one showing the displacement under pressure, and one showing the permanent displacement when the pressure is removed. The application of pressure shall be stopped when it is evident that the curve through the points representing displacement under pressure has deviated from a straight line.

**A-22.6.2.4** The pressure coincident with the proportional limit of the material shall be determined by noting the pressure at which the curve representing displacement under pressure deviates from a straight line. The pressure at the proportional limit may be checked from the curve of permanent displacement by locating the point where the permanent displacement begins to increase regularly with further increases in pressure. Permanent deformation at the beginning of the curve that results from the equalization of stresses and irregularities in the material may be disregarded.

The maximum allowable working pressure  $P$  in pounds per square inch at test temperature for parts tested under this paragraph shall be computed by one of the following equations.

**A-22.6.2.4.1** If the average yield strength is determined by A-22.5

$$P = 0.5H \frac{Y_s}{Y_a}$$

**A-22.6.2.4.2** In order to eliminate the necessity of cutting tensile specimens and determining the actual yield strength of the material under test, one of the following equations may be used to determine the maximum allowable working pressure.

**A-22.6.2.4.2.1** For carbon steel, meeting an acceptable Code specification, with a specified minimum tensile strength of not over 70,000 psi (480 MPa)

(U.S. Customary Units)

$$P = 0.5H \left( \frac{S}{S + 5,000} \right)$$

(SI Units)

$$P = 0.5H \left( \frac{S}{S + 34.5} \right)$$

**A-22.6.2.4.2.2** For any material listed in Tables IA and IB of Section II, Part D, as acceptable for Section I construction

$$P = 0.4H$$

where

- $H$  = hydrostatic test pressure coincident with the proportional limit of the weakest element of the component part tested
- $S$  = specified minimum tensile strength

$Y_a$  = yield strength — actual average from test specimens

$Y_s$  = yield strength — specified minimum

When the equation in A-22.6.2.4.2.1 or A-22.6.2.4.2.2 is used, the material in the pressure part shall have had no appreciable cold working or other treatment that would tend to raise the yield strength above the normal.

The maximum allowable working pressure at other temperatures shall be determined as provided in A-22.8.

**A-22.6.3 Bursting Tests**

**A-22.6.3.1** This procedure may be used for pressure parts under internal pressure when constructed of any material permitted to be used under the rules of Section I. The maximum allowable working pressure of any component part proof tested by this method shall be established by a hydrostatic test to failure by rupture of a full-size sample of such pressure part. The hydrostatic pressure at which rupture occurs must be determined. Alternatively, the test may be stopped at any pressure before rupture that will satisfy the requirements for the desired maximum allowable working pressure. The item so tested shall not be used for Code construction.

**A-22.6.3.2** The maximum allowable working pressure  $P$  in pounds per square inch at test temperature for parts tested under this paragraph shall be computed by one of the following equations.

**A-22.6.3.2.1** Parts constructed of materials other than cast materials

$$P = \frac{B}{4} \times \frac{S}{(S_a \text{ or } S_m)}$$

**A-22.6.3.2.2** Parts constructed of cast iron

$$P = \frac{B}{6.67} \times \frac{S}{S_b}$$

**A-22.6.3.2.3** Parts constructed of nodular iron

$$P = \frac{Bf}{5} \times \frac{S}{S_b}$$

**A-22.6.3.2.4** For parts constructed of cast materials, except cast iron and nodular iron

$$P = \frac{Bf}{4} \times \frac{S}{(S_a \text{ or } S_m)}$$

where

- $B$  = bursting test pressure
- $f$  = casting quality factor as defined in PG-25
- $S$  = specified minimum tensile strength
- $S_a$  = average actual tensile strength of test specimens
- $S_b$  = minimum tensile strength of test bar
- $S_m$  = maximum tensile strength of range of specification



For all materials except cast iron and nodular iron, the maximum allowable working pressure at other temperatures shall be determined as provided in A-22.8.

#### A-22.7 Parts Subject to Collapse

**A-22.7.1** Parts of the boiler normally subject to collapse for which specified rules are not provided in this Section shall withstand without excessive deformation a hydrostatic test of not less than three times the desired maximum allowable working pressure.

**A-22.7.2** The maximum allowable working pressure at other than test temperatures shall be determined as provided in A-22.8.

**A-22.8 Higher Temperatures.** The maximum allowable working pressure for pressure parts that are designed for temperatures at which the allowable stress value of the material is less than that at the test temperature shall be determined by the following equation:

$$P_o = P_t \frac{S_o}{S_t}$$

where

$P_o$  = maximum allowable working pressure at design temperature

$P_t$  = maximum allowable working pressure at test temperature

$S_o$  = maximum allowable stress value at the design temperature, as given in Table 1A or 1B of Section II, Part D

$S_t$  = maximum allowable stress value at test temperature as given in Table 1A or 1B of Section II, Part D

**A-22.9 Duplicate Parts.** When the maximum allowable working pressure of a pressure part has been established by a proof test, duplicate parts of the same materials, design and construction need not be proof tested but shall be given the standard hydrostatic test at  $1\frac{1}{2}$  times the maximum allowable working pressure. The dimensions and minimum thickness of the structure to be tested should not vary materially from those actually used. A geometrically similar part may be qualified by a series of tests covering the complete size range of the pressure part.

**A-22.10 Inspection.** Tests to establish the maximum allowable working pressure for pressure parts shall be witnessed and approved by an Authorized Inspector.

#### A-22.11 Test Gages

**A-22.11.1** An indicating gage shall be connected directly to the pressure parts. If the indicating gage is not readily visible to the operator controlling the pressure applied, an additional indicating gage shall be provided where it will be visible to the operator throughout the

duration of the test. For large pressure parts, it is recommended that a recording gage be used in addition to indicating gages.

**A-22.11.2** Pressure gages used in testing shall comply with PG-99.4.

**A-22.11.3** All gages used in proof testing shall be calibrated against a standard deadweight tester or a calibrated master gage before the proof test is begun. Gages shall be recalibrated at any time that there is reason to believe they are in error.

#### A-24 TABLE PG-23.1

See Table 1A of Section II, Part D.

#### A-25 TABLE PG-23.2

See Table 1B of Section II, Part D.

#### A-26 TABLE PG-23.3

See Table 1B of Section II, Part D.

#### A-27 TABLE PG-23.4

See Table Y-1 of Section II, Part D.

#### A-28 FIGURES G AND CS-1 THROUGH CS-6

See Subpart 3, External Pressure Charts in Section II, Part D.

### SUGGESTED RULES COVERING EXISTING INSTALLATIONS

#### A-30

For existing riveted construction, use suggested rules in the 1971 Edition of Section I.

### PRESSURE RELIEF VALVES FOR POWER BOILERS

#### A-44

The minimum pressure relief valve relieving capacity for other than electric boilers, waste heat boilers, organic fluid vaporizers, and forced-flow steam generators with no fixed steam and waterline, when provided in accordance with PG-67.4.3, may be estimated on the basis of the pounds of steam generated per hour per square foot (kilo-

TABLE A-44  
GUIDE FOR ESTIMATING STEAMING  
CAPACITY BASED ON HEATING SURFACE

U.S. Customary Units		
Type of Surface	Pounds of Steam/(hr ft <sup>2</sup> )	
	Firetube Boilers	Watertube Boilers
Boiler heating surface		
Hand fired	5	6
Stoker fired	7	8
Oil, gas, or pulverized fuel fired	8	10
Waterwall heating surface		
Hand fired	8	8
Stoker fired	10	12
Oil, gas, or pulverized fuel fired	14	16
SI Units		
Type of Surface	Kilograms of Steam/(hr m <sup>2</sup> )	
	Firetube Boilers	Watertube Boilers
Boiler heating surface		
Hand fired	24	29
Stoker fired	34	39
Oil, gas, or pulverized fuel fired	39	49
Waterwall heating surface		
Hand fired	39	39
Stoker fired	49	59
Oil, gas, or pulverized fuel fired	68	78

GENERAL NOTE: When a boiler is fired only by a gas having a heat value not in excess of 200 Btu/ft<sup>3</sup> (2 000 Whr/m<sup>3</sup>), the minimum pressure relief valve relieving capacity may be based on the values given for hand-fired boilers above.

gram per hour per square meter) of boiler heating surface and waterwall heating surface, as given in Table A-44.

In many cases, a greater relieving capacity of pressure relief valves will have to be provided than that estimated using Table A-44, in order to meet the requirements of the first paragraph of PG-67.2.

#### A-45

When boilers of different maximum allowable working pressures with minimum pressure relief valve settings varying more than 6% are so connected that steam can flow toward the lower pressure units, the latter shall be protected by additional pressure relief valve capacity, if necessary, on the lower pressure side of the system. The additional safety valve capacity shall be based upon the maximum amount of steam that can flow into the lower pressure system. The additional pressure relief valves shall have at least one valve set at a pressure not to exceed the lowest

allowable pressure and the other valves shall be set within a range not to exceed 3% above that pressure.

#### A-46

If the pressure relief valve capacity cannot be determined or if it is desirable to verify the computations, the capacity may be checked in one of the three following ways, and if found insufficient, additional capacity shall be provided.

**A-46.1** By making an accumulation test, that is, by shutting off all other steam-discharge outlets from the boiler and forcing the fires to the maximum. The pressure relief valve equipment shall be sufficient to prevent an excess pressure beyond that specified in PG-67.2. This method should not be used on a boiler with a superheater or reheater or on a high-temperature water boiler.

**A-46.2** By measuring the maximum amount of fuel that can be burned and computing the corresponding evaporative capacity upon the basis of the heating value of the fuel (see A-12 through A-17).

**A-46.3** By determining the maximum evaporative capacity by measuring the feedwater. The sum of the pressure relief valve capacities marked on the valves shall be equal to or greater than the maximum evaporative capacity of the boiler. This method shall not be used on high-temperature water boilers.

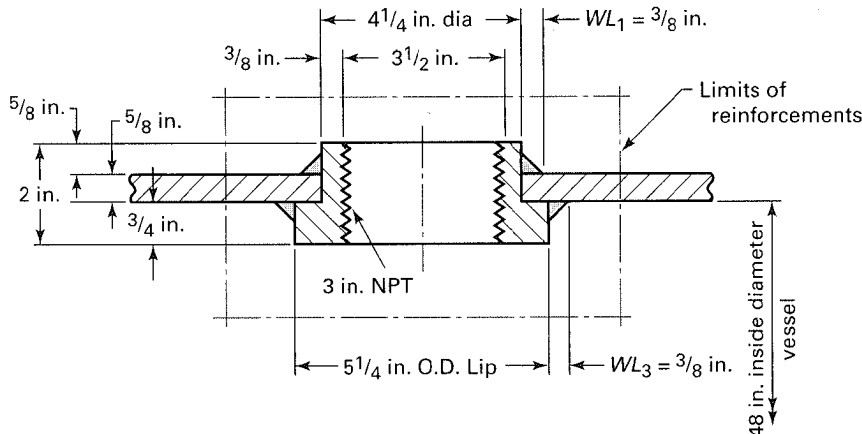
#### A-48

When operating conditions are changed, or additional heating surface such as water screens or waterwalls is connected to the boiler circulation, the pressure relief valve capacity shall be increased, if necessary, to meet the new conditions and be in accordance with PG-67.2. The additional valves required on account of changed conditions may be installed on the piping between the boiler and the main stop valve except when the boiler is equipped with a superheater or other piece of apparatus. In the latter case they may be installed on the piping between the boiler drum and the inlet to the superheater or other apparatus, provided that the piping between the boiler and pressure relief valve (or valves) connection has a cross-sectional area of at least three times the combined areas of the inlet connections to the pressure relief valves applied to it.

#### A-63

**A-63.2** During a hydrostatic test of a boiler, the safety valve or valves shall be removed or each valve disk shall be held to its seat by means of a testing clamp and not by screwing down the compression screw upon the spring.

FIG. A-66 EXAMPLE FOR TYPICAL NOZZLE COMPUTATIONS



GENERAL NOTE: This example was performed using computer software. The example was generated by performing the entire calculation without rounding off during each step. Accuracy of the final results beyond three significant figures is not intended or required.

#### A-64 REPAIRS TO EXISTING BOILERS

Where repairs are necessary that in any way affect the working pressure or safety of a boiler, a state inspector, municipal inspector, or an inspector employed regularly by an insurance company, which is authorized to do a boiler insurance business in the state in which the boiler is used, shall be called for consultation and advice as to the best method of making such repairs; after such repairs are made they shall be subject to the approval of a state inspector, municipal inspector, or an inspector regularly employed by an insurance company that is authorized to do a boiler insurance business in the state in which the boiler is used.

#### EXAMPLES OF METHODS OF COMPUTATION OF OPENINGS IN VESSEL SHELLS

Application of the rules in PG-32, PG-33, PG-36 through PG-39, PW-15, and PW-16 are given in the following examples. Common assumptions in all the examples are that the design temperature corresponds to the temperature of saturated steam at the maximum allowable working pressure, that all areas are expressed in terms of equivalent area of the vessel material (see PG-37), that the corrosion/erosion allowance is zero, and that all openings are single openings unless otherwise noted. Subscripts have been provided where necessary to eliminate confusion where an algebraic value has more than one meaning as used in these examples. ( $S_n$  denotes allowable stress of the nozzle material,  $S_v$  denotes allowable stress of the vessel material,  $R_n$  denotes radius of nozzle, etc.) The values  $t$  and  $t_n$  are assumed to be minimum in these examples.

#### A-65

A boiler shell, designed for 595 psig maximum allowable working pressure, has an inside diameter of 36 in. and is made of  $\frac{1}{2}$  in. thick plate. Is it permissible to install an NPS 2 (DN 50) connection by tapping a hole for the pipe directly into the shell?

The NPS 2 (DN 50) connection complies with the pressure-size limitations in PG-39.5.2 and qualifies for the exception provided in PG-32.1.3.1 permitting the opening without requiring a calculation to determine the availability of compensation in the shell. PG-39.5.1 and Table PG-39, however, require a minimum plate thickness and thread engagement greater than that provided by the shell thickness. Therefore, the connection cannot be made as originally stated; however, either a heavier shell plate or a built-up pad or properly attached plate or fitting could be used to provide the minimum metal thickness and number of threads as required by PG-39 and Table PG-39. Should a plate or fitting, attached by welding, be used, the rules in PG-37, PW-15, and PW-16 shall be met.

#### A-66

A forged steel fitting as shown in Fig. A-66, with a female 3 in. nominal pipe thread over the full fitting depth is to be inserted and welded into a vessel shell. The maximum allowable stress is 15,000 psi for the fitting material and 17,500 psi for the vessel shell material. The maximum allowable working pressure of the vessel is 375 psig. See Fig. A-66 for nozzle and vessel dimensions.

The fitting complies with the size, pressure, and thread depth limitations provided in PG-39.5 and Table PG-39. The welded attachment does not qualify for the exception that exempts the design from calculation of the required

reinforcement as provided in PG-32 and must, therefore, comply with PG-33 as follows:

Minimum required thickness for reinforcement consideration

$$R_v, \text{ the inside radius of the vessel} = \frac{48}{2} \\ = 24 \text{ in.}$$

$$\text{Shell } t_r = \frac{PR_v}{S_v - (1 - y)P} \\ = \frac{375 \times 24}{17,500 - (1 - 0.4) \times 375} \\ = 0.521 \text{ in.}$$

$$\text{Nozzle } t_m = \frac{PR_n}{S_n - (1 - y)P} \\ = \frac{375 \times 1.75}{15,000 - (1 - 0.4) \times 375} \\ = 0.044 \text{ in.}$$

Area of reinforcement required (see PG-33.3 and Fig. PG-33.1)

$$A = (d + 2t_n) t_r F \\ = (3.5 + 2 \times 0.375) \times 0.521 \times 1.0 \\ = 2.214 \text{ in.}^2$$

Area of reinforcement available in vessel wall (see PG-33.3, PG-36.4.1, and Fig. PG-33.1)

$$A_1 = (d - 2t_n)(t - Ft_r) \\ = (3.5 - 2 \times 0.375)(0.625 - 1.0 \times 0.521) \\ = 0.286 \text{ in.}^2$$

Area of reinforcement available in the nozzle wall external of the vessel (see PG-33.3, PG-36.4.2, and Fig. PG-33.1)

In that the actual nozzle projection is less than that permitted within the limits of reinforcement, modification of the equation provided in PG-33.1 will be required to reflect the actual area available for reinforcement.

$$A_2 = 2(t_n - t_m)(\text{actual projection}) (S_n/S_v) \\ = 2 \times (0.375 - 0.044) \times 0.625 \times (15,000/17,500) \\ = 0.354 \text{ in.}^2$$

Area of reinforcement available in the nozzle and nozzle lip internal of the vessel (see PG-33.3, PG-36.4.2, and Fig. PG-33.1). Due to the nozzle lip, modification of the equation provided in Fig. PG-33.1 will be required to reflect the actual area present.

$$A_3 = 2t_n t_r h + \text{area present in lip} \\ = 2 \times 0.375 (15,000/17,500)(1.375) \\ + 2 \times 0.5 \times 0.75 \\ = 1.634 \text{ in.}^2$$

Area of reinforcement available in attachment welds (see PG-36.4.3 and Fig. PG-33.1)

$$A_4 = (WL_1^2 + WL_2^2) (S_n / S_v) \\ = (0.375^2 + 0.375^2) (15,000 / 17,500) \\ = 0.241 \text{ in.}^2$$

Total area of reinforcement available

$$A_1 + A_2 + A_3 + A_4 + A_5 = 2.515 \text{ in.}^2 \geq A$$

as required for demonstration of compliance with PG-33.

Compliance with PG-37 and PW-15 is demonstrated by the following calculations:

Required minimum strength to be provided by the welds (see PG-37 and PW-15)

$$W = (A - A_1) S_y \\ = (2.214 - 0.286) 17,500 \\ = 33,742 \text{ lb}$$

Strength of the welds (see PG-37 and PW-15)

Internal fillet weld in shear

$$= \frac{1}{2} \pi WL_3 (\text{O.D. lip} + WL_3) (\text{factor in PW-15.2}) S_u \\ = \frac{1}{2} \times 3.142 \times 0.375 \times (5.25 + 0.375) \times 0.49 \times 15,000 \\ = 24,353 \text{ lb}$$

External fillet weld in shear

$$= \frac{1}{2} \pi WL_1 (dl + WL_1) (\text{factor in PW-15.2}) S_u \\ = 0.5 \times 3.142 \times 0.375 \times (4.25 + 0.375) \\ \times 0.49 \times 15,000 \\ = 20,027 \text{ lb}$$

The combined strength of the welds equals  $44,384 \text{ lb} \geq W$  as required for compliance with PG-37 and PW-15.

Verification of the minimum weld sizing as required by PW-16.1 and Fig. PW-16.1, illustration (u-2), is demonstrated by the following:

Required per Fig. PW-16.1, illustration (u-2)

$$t_1 + t_2 \geq 1.25 t_{\min}$$

$$t_1 \geq 0.25$$

$$t_2 \geq 0.25$$

Actual per Fig. A-66

$$\begin{aligned} t_1 &= WL_1 \sin 45^\circ \\ &= 0.375 \times 0.7071 \\ &= 0.265 \text{ in.} \\ t_2 &= WL_2 \sin 45^\circ \\ &= 0.375 \times 0.7071 \\ &= 0.265 \text{ in.} \\ t_{\min} &= 0.375 \text{ (based on } t_n) \end{aligned}$$

Verification

$$\begin{aligned} (t_1 + t_2 = 0.530) &\geq (1.25 t_{\min} = 0.469) \\ (t_1 = 0.265) &\geq 0.25 \\ (t_2 = 0.265) &\geq 0.25 \end{aligned}$$

As verified by the above demonstrations, the design is proved to be in compliance with the requirements of Section I.

### A-67

A vessel shell has a studding outlet connection mounted as shown in Fig. A-67. The maximum allowable stress of both the vessel and studding outlet material is 12,500 psi. The maximum allowable working pressure of the design is 325 psig. See Fig. A-67 for vessel and studding outlet dimensions.

The studding outlet conforms to the requirements of PG-39.4, both in arrangement and in tapped stud hole requirements. The welded attachment does not qualify for the exception provided in PG-32 and must therefore comply with PG-33 as follows:

Minimum required thickness for reinforcement consideration

$$\begin{aligned} \text{Shell } t_r &= \frac{PR_v}{S_v - (1 - y)P} \\ &= \frac{325 \times 30}{12,500 - (1 - 0.4) \times 325} \\ &= 0.792 \text{ in.} \end{aligned}$$

Nozzle  $t_m = 0.0$  [see Fig. PG-36.4, illustration (a)]

Area of reinforcement required (see PG-33.2)

$$\begin{aligned} A &= t_r Fd \\ &= 0.79236 \times 1.0 \times 7.5 \\ &= 5.943 \text{ in.}^2 \end{aligned}$$

Area of reinforcement available in the vessel wall (see PG-36.4.1)

$$\begin{aligned} A_1 &= (t - Ft_r) d \\ &= (1.0 - 1.0 \times 0.79236) \times 7.5 \\ &= 1.557 \text{ in.}^2 \end{aligned}$$

Area of reinforcement available in attachment welds (see PG-36.4.3)

$$\begin{aligned} A_4 &= WL_1^2 + WL_3 \\ &= 0.531^2 + 0.75^2 \\ &= 0.845 \text{ in.}^2 \end{aligned}$$

Area of reinforcement available in pad (see PG-36.4.3)

$$\begin{aligned} A_5 &= (O.D._{\text{pad}} - I.D._{\text{pad}}) t_e \\ &= (12.5 - 6) \times 1.5 \\ &= 9.75 \text{ in.}^2 \end{aligned}$$

Total area of reinforcement available

$$A_1 + A_4 + A_5 = 12.152 \text{ in.}^2 \geq A$$

as required for demonstration of compliance with PG-33.

Compliance with PG-37 and PW-15 is demonstrated by the following calculations:

Required minimum strength to be provided by the welds (see PG-37 and PW-15)

$$\begin{aligned} W &= (A - A_1) S_v \\ &= (5.943 - 1.557) \times 12,500 \\ &= 54,818 \text{ lb} \end{aligned}$$

Strength of the welds (see PG-37 and PW-15)

External fillet weld in shear

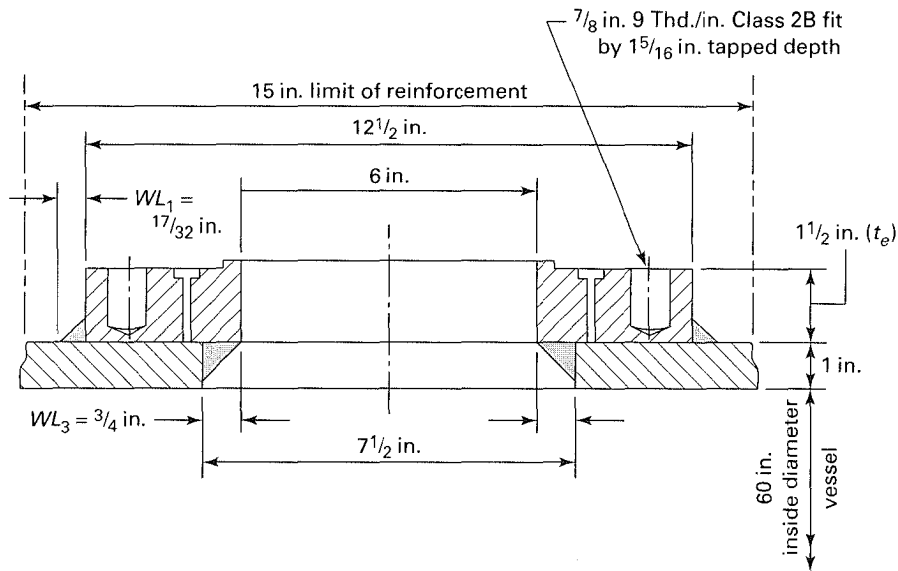
$$\begin{aligned} &= \frac{1}{2} \pi WL_1 (O.D._{\text{pad}} + WL_1) \text{ (factor in PW-15.2) } S \\ &= 0.5 \times 3.14159 \times 0.53125 \times (12.5 + 0.53125) \\ &\quad \times 0.49 \times 12,500 \\ &= 66,606 \text{ lb} \end{aligned}$$

Internal fillet weld in shear

$$\begin{aligned} &= \frac{1}{2} \pi WL_3 (dl - WL_3) \text{ (factor in PW-15.2) } S \\ &= 0.5 \times 3.142 \times 0.75 \times (7.5 - 0.75) \\ &\quad \times 0.49 \times 12,500 \\ &= 48,707 \text{ lb} \end{aligned}$$

The combined strength of the welds equals 115,313 lb  $\geq$   $W$  as required for compliance with PG-37 and PW-15.

FIG. A-67 EXAMPLE FOR TYPICAL NOZZLE COMPUTATIONS



GENERAL NOTES:

- (a) Stud holes are staggered about the line of the longitudinal section and are shown for clarification only.
- (b) This example was performed using computer software. The example was generated by performing the entire calculation without rounding off during each step. Accuracy of the final results beyond three significant figures is not intended or required.

Verification of the minimum weld sizing as required by PW-16.1 and Fig. PW-16.1, illustration (t) is demonstrated by the following:

Required per Fig. PW-16.1, illustration (t)

$$\text{External fillet weld throat} \geq \frac{1}{2} t_{\min}$$

$$\text{Internal fillet weld throat} \geq 0.7 t_{\min}$$

Actual per Fig. A-67

External fillet weld throat

$$\begin{aligned} &= WL_1 \sin 45^\circ \\ &= 0.531 \times 0.707 \\ &= 0.376 \text{ in.} \end{aligned}$$

Internal fillet weld throat

$$\begin{aligned} &= WL_3 \sin 45^\circ \\ &= 0.75 \times 0.707 \\ &= 0.530 \text{ in.} \\ t_{\min} &= 0.75 \text{ (based on PW-16.2)} \end{aligned}$$

Verification

$$\text{(External fillet weld throat} = 0.376)$$

$$\geq (\frac{1}{2} t_{\min} = 0.375)$$

$$\text{(Internal fillet weld throat} = 0.530)$$

$$\geq (0.7 t_{\min} = 0.525)$$

As verified by the above demonstrations, the design is proved to be in compliance with the requirements of Section I.

A-68

A boiler has an NPS 4 extra-strong pipe connection mounted as shown in Fig. A-68. The maximum allowable stress is 12,000 psi for the pipe material and 13,700 psi for the boiler shell material. The maximum allowable working pressure of the boiler is 250 psig. See Fig. A-68 for pipe and shell dimensions.

Check to determine if the welded attachment qualifies for the exception provided in PG-32.

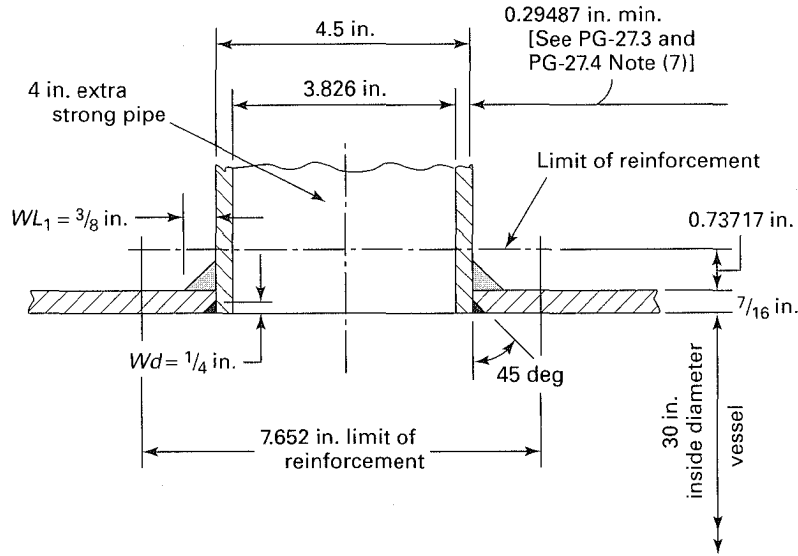
$$K = \frac{PD}{1.82 St} \quad [\text{see PG-32.1.2, eq. (2)}]$$

$$= \frac{250 \times 30.875}{1.82 \times 13,700 \times 0.4375}$$

$$= 0.7076 \text{ or } 70.76\%$$

$$Dt = 30.875 \times 0.4375$$

FIG. A-68 EXAMPLE FOR TYPICAL NOZZLE COMPUTATIONS



$$= 13.5078$$

From Fig. PG-32, maximum size of opening with inherent compensation is 4.35 in.

Nominal I.D. of NPS 4 extra strong pipe is

$$4.5 - 2(0.337) = 3.826 \text{ in.}$$

Since I.D. is less than maximum size opening from Fig. PG-32, no calculation need be made to demonstrate compliance with the compensation requirements of PG-33 (see PG-32.1.3.2).

**A-69**

A vessel has a series of welded connections in a definite pattern as shown in Fig. A-69. The maximum allowable stress of all nozzle and vessel material is 17,500 psi. The maximum allowable working pressure of the design is 1,500 psig. See Fig. A-69 for all nozzle and vessel dimensions.

The welded attachments do not qualify for the exception provided in PG-32 and must therefore comply with PG-33 as follows:

Minimum required thickness for reinforcement consideration

$$\begin{aligned} \text{Shell } t_r &= \frac{PR_v}{S_v - (1 - y) P} \\ &= \frac{1,500 \times 30}{17,500 - (1 - 0.4) \times 1500} \end{aligned}$$

$$= 2.711 \text{ in.}$$

$$\begin{aligned} \text{Nozzle } t_{rn 1 \text{ and } 4} &= \frac{P(0.5 dl_1 - t_{n1})}{S_n - (1 - y) P} \\ &= \frac{1,500(0.5 \times 4.5 - 0.875)}{17,500 - (1 - 0.4) \times 1500} \\ &= 0.124 \text{ in.} \end{aligned}$$

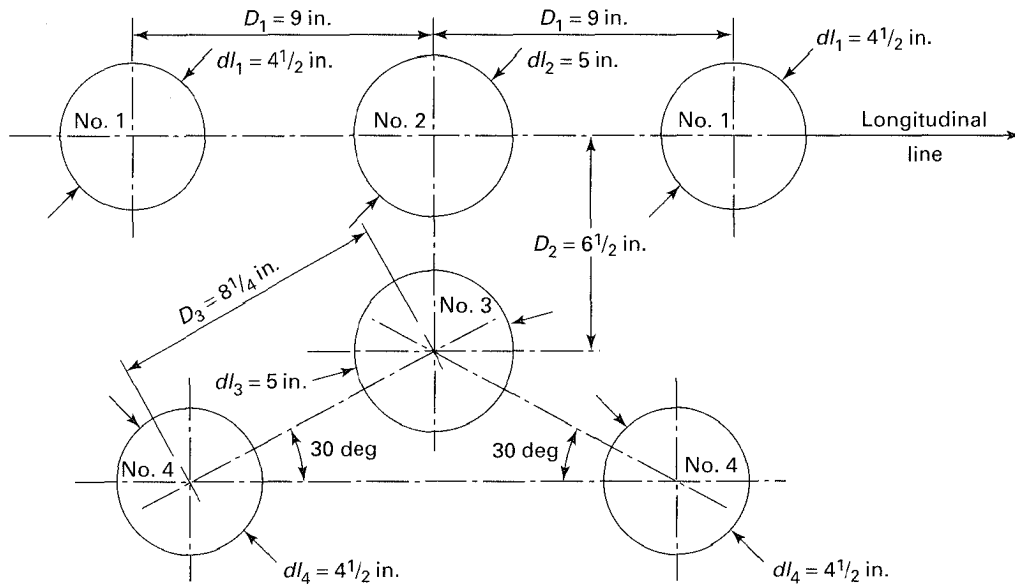
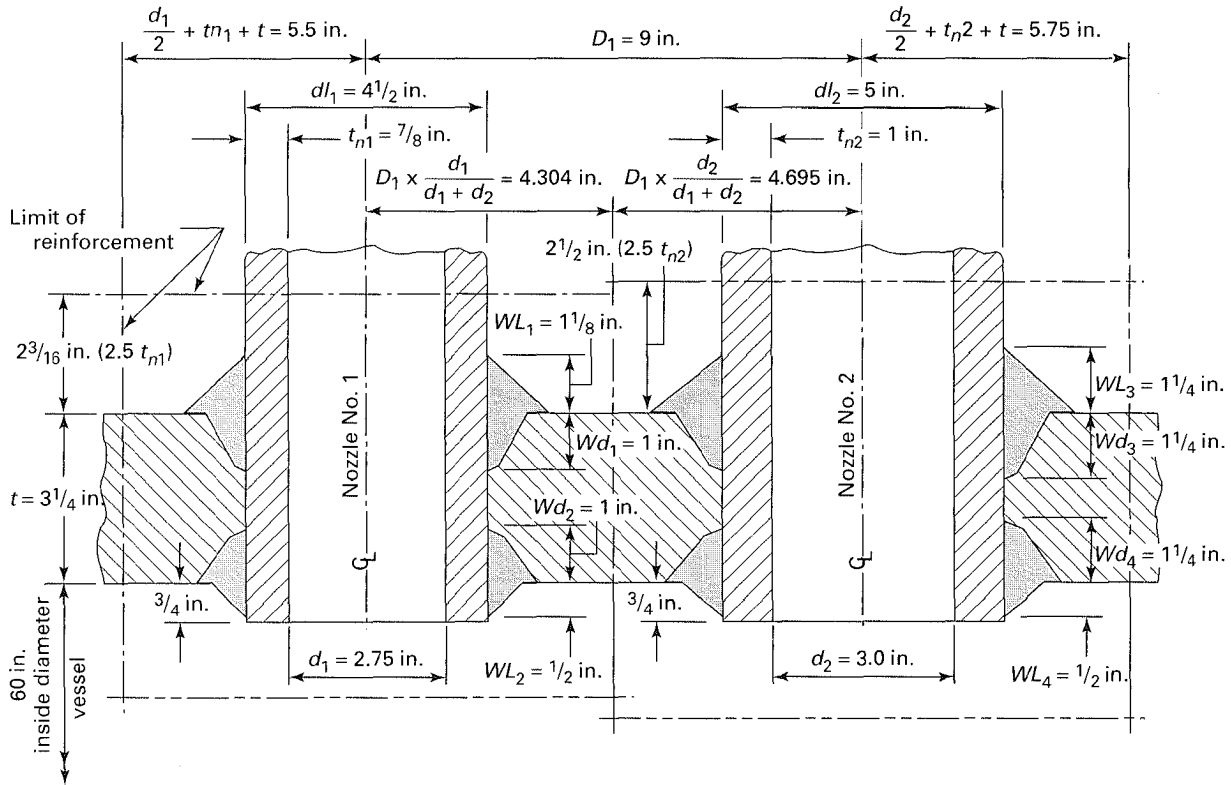
$$\begin{aligned} \text{Nozzle } t_{rn 2 \text{ and } 3} &= \frac{P(0.5 dl_2 - t_{n2})}{S_n - (1 - y) P} \\ &= \frac{1,500(0.5 \times 5 - 1.0)}{17,500 - (1 - 0.4) \times 1500} \\ &= 0.136 \text{ in.} \end{aligned}$$

Check for overlapping limits

The sum of the limits of reinforcement on the longitudinal axis between nozzles 1 and 2, as permitted under PG-36.2.2, is

$$\begin{aligned} &= \left( \frac{d_1}{2} + t_{n1} + t \right) + \left( \frac{d_2}{2} + t_{n2} + t \right) \\ &= \frac{2.75}{2} + 0.875 + 3.25 + \frac{3.0}{2} + 1.0 + 3.25 \\ &= 11.25 \text{ in.} > D_1 \end{aligned}$$

FIG. A-69 EXAMPLE FOR TYPICAL NOZZLE COMPUTATIONS



GENERAL NOTES:

- (a) Nozzles 1 and 4 are identical dimensionally and nozzles 2 and 3 are identical dimensionally.
- (b) This example was performed using computer software. The example was generated by performing the entire calculation without rounding off during each step. Accuracy of the final results beyond three significant figures is not intended or required.



The sum of the limits of reinforcement on the circumferential axis between nozzles 2 and 3 is

$$\begin{aligned} &= \left(\frac{d_2}{2} + t_{n2} + t\right) + \left(\frac{d_3}{2} + t_{n3} + t\right) \\ &= \frac{3.0}{2} + 1.0 + 3.25 + \frac{3.0}{2} + 1.0 + 3.25 \\ &= 11.5 \text{ in.} > D_2 \end{aligned}$$

The sum of the limits of reinforcement on the diagonal between nozzles 3 and 4 is

$$\begin{aligned} &= \left(\frac{d_3}{2} + t_{n3} + t\right) + \left(\frac{d_4}{2} + t_{n4} + t\right) \\ &= \frac{3.0}{2} + 1.0 + 3.25 + \frac{2.75}{2} + 0.875 + 3.25 \\ &= 11.25 \text{ in.} > D_3 \end{aligned}$$

Each of the above conditions is greater than the center-to-center distance, for the condition considered, between the openings; therefore, the limits of reinforcement overlap and the rule of PG-38.1 shall apply.

Nozzles 1 and 4 — area of reinforcement required in the longitudinal plane

$$\begin{aligned} A_{l1} &= (d_1 + 2t_{n1}) t_r F \\ &= (2.75 + 2 \times 0.875) \times 2.711 \times 1.0 \\ &= 12.199 \text{ in.}^2 \end{aligned}$$

Nozzles 2 and 3 — area of reinforcement required in the longitudinal plane

$$\begin{aligned} A_{l2} &= (d_2 + 2t_{n2}) t_r F \\ &= (3.0 + 2 \times 1.0) \times 2.711 \times 1.0 \\ &= 13.554 \text{ in.}^2 \end{aligned}$$

Nozzles 2 and 3 — area of reinforcement required in the circumferential plane

$$\begin{aligned} A_{c2} &= (d_2 + 2t_{n2}) t_r F \\ &= (3.0 + 2 \times 1.0) \times 2.711 \times 0.5 \\ &= 6.777 \text{ in.}^2 \end{aligned}$$

Nozzle 3 — area of reinforcement required in the diagonal plane

$$\begin{aligned} A_{d3} &= (d_3 + 2t_{n3}) t_r F \\ &= (3.0 + 2 \times 1.0) \times 2.711 \times 0.88 \end{aligned}$$

$$= 11.928 \text{ in.}^2$$

Nozzle 4 — area of reinforcement required in the diagonal plane

$$\begin{aligned} A_{d4} &= (d_4 + 2t_{n4}) t_r F \\ &= (2.75 + 2 \times 0.875) \times 2.711 \times 0.88 \\ &= 10.735 \text{ in.}^2 \end{aligned}$$

Area of reinforcement provided in nozzle 1 in the longitudinal plane

Due to the overlapping limits of reinforcement, the equation for  $A_1$  (given in Fig. PG-33.1) will require modification. To prevent any reinforcement available between the nozzles from being counted more than once, the reinforcement limit is reduced such that the available reinforcement in the shell is divided and attributed to either nozzle's compensation in proportion to its relative size. For nozzle 1, this limit is  $D_1 [d_1 / (d_1 + d_2)]$ . The limit on the other side remains unchanged as  $d_1/2 + t_{n1} + t$ .

$$\begin{aligned} A_1 &= \left\{ t + D_1 [d_1 / (d_1 + d_2)] - \frac{d_1}{2} \right\} (t - Ft_r) \\ &= \left\{ 3.25 + 9 [2.75 / (2.75 + 3.0)] - 4.5/2 \right\} \\ &\quad \times (3.25 - 1.0 \times 2.711) \\ &= 2.860 \text{ in.}^2 \end{aligned}$$

$$\begin{aligned} A_2 &= 2 (t_{n1} - t_{m1}) 2.5 t_{n1} \\ &= 2 (0.875 - 0.12424) \times 2.5 \times 0.875 \\ &= 3.285 \text{ in.}^2 \end{aligned}$$

$$\begin{aligned} A_3 &= 2 t_{n1} h \\ &= 2 \times 0.875 \times 4.0 \\ &= 7.0 \text{ in.}^2 \end{aligned}$$

$$\begin{aligned} A_{4_1} + A_{4_3} &= WL_1^2 + WL_2^2 \\ &= 1.125^2 + 0.5^2 \\ &= 1.516 \text{ in.}^2 \end{aligned}$$

Total area of available reinforcement provided by nozzle 1 in the longitudinal plane

$$A_1 + A_2 + A_3 + A_{4_1} + A_{4_3} = 14.660 \text{ in.}^2 \geq A_{l1}$$

as required for demonstration of compliance with PG-33.

Area of reinforcement provided in nozzle 2 in the longitudinal plane

Since nozzle 2 has its limits of reinforcement restricted on both sides by nozzle 1, the reduced limit of  $D_1 [d_2/(d_1 + d_2)]$  is applicable to both sides.

$$A_1 = \left\{ 2 \times D_1 [d_2/(d_1 + d_2)] - dl_2 \right\} (t - Ft_r)$$

$$= \left\{ 2 \times 9 [3.0/(2.75 + 3.0)] - 5.0 \right\}$$

$$\times (3.25 - 1.0 \times 2.711)$$

$$= 2.368 \text{ in.}^2$$

$$A_2 = 2 (t_{n2} - t_{m2}) 2.5t_{n2}$$

$$= 2 (1.0 - 0.136) \times 2.5 \times 1.0$$

$$= 4.322 \text{ in.}^2$$

$$A_3 = 2t_{n2}h$$

$$= 2 \times 1.0 \times 4.0$$

$$= 8.0 \text{ in.}^2$$

$$A_4 = WL_3^2 + WL_4^2$$

$$= 1.25^2 + 0.5^2$$

$$= 1.812 \text{ in.}^2$$

Total area of available reinforcement provided by nozzle 2 in the longitudinal plane

$$A_1 + A_2 + A_3 + A_4 = 16.502 \text{ in.}^2 \geq A_{l2}$$

as required for demonstration of compliance with PG-33.

Area of reinforcement provided in nozzle 2 or 3 in the circumferential plane

$$A_1 = \left\{ t + D_2 [d_2/(d_2 + d_3)] - \frac{dl_2}{2} \right\} (t - Ft_r)$$

$$= \left\{ 3.25 + 6.5 [3.0/(3.0 + 3.0)] - \frac{5.0}{2} \right\}$$

$$\times (3.25 - 0.5 \times 2.711)$$

$$= 7.578 \text{ in.}^2$$

$$A_2 = 2 (t_{n2} - t_{m2}) 2.5t_{n2}$$

$$= 2 (1.0 - 0.13554) \times 2.5 \times 1.0$$

$$= 4.3223 \text{ in.}^2$$

$$A_3 = 2 t_{n2}h$$

$$= 2 \times 1.0 \times 4.0$$

$$= 8.0 \text{ in.}^2$$

$$A_4 = WL_3^2 + WL_4^2$$

$$= 1.25^2 + 0.5^2$$

$$= 1.8125 \text{ in.}^2$$

Total area of available reinforcement provided by nozzle 2 or 3 in the circumferential plane

$$A_1 + A_2 + A_3 + A_4 = 21.713 \text{ in.}^2 \geq A_{c2}$$

as required for demonstration of compliance with PG-33.

Area of reinforcement provided by nozzle 3 in the diagonal plane

Although nozzle 1 does not lie exactly in the same plane as nozzles 3 and 4 and is slightly farther away, for simplicity the limit on both sides of nozzle 3 are restricted to the reduced limit between nozzles 3 and 4.

$$A_1 = \left\{ 2 \times D_3 \times [d_3/(d_3 + d_4)] - dl_3 \right\} (t - Ft_r)$$

$$= \left\{ 2 \times 8.25 \times [3.0/(3.0 + 2.75)] - 5.0 \right\}$$

$$\times (3.25 - 0.88 \times 2.711)$$

$$= 3.120 \text{ in.}^2$$

$$A_2 = 2 (t_{n3} - t_{m3}) 2.5t_{n3}$$

$$= 2 (1.0 - 0.136) \times 2.5 \times 1.0$$

$$= 4.322 \text{ in.}^2$$

$$A_3 = 2 t_{n3} h$$

$$= 2 \times 1.0 \times 4.0$$

$$= 8.0 \text{ in.}^2$$

$$A_4 + A_3 = WL_3^2 + WL_4^2 = 1.25^2 + 0.5^2$$

$$= 1.812 \text{ in.}^2$$

Total area of available reinforcement provided by nozzle 3 in the diagonal plane

$$A_1 + A_2 + A_3 + A_4 + A_3 = 17.254 \text{ in.}^2 \geq A_{d3}$$

as required for demonstration of compliance with PG-33.

Area of reinforcement provided in nozzle 4 in the diagonal plane

$$A_1 = \left\{ t + D_3 \times [d_4/(d_4 + d_3)] - \frac{dl_4}{2} \right\} (t - Ft_r)$$

$$= \left\{ 3.25 + 8.25 \times [2.75/(2.75 + 3.0)] - \frac{4.5}{2} \right\}$$

$$\times (3.25 - 0.88 \times 2.711)$$

$$= 4.275 \text{ in.}^2$$

$$A_2 = 2 (t_{n4} - t_{m4}) 2.5 t_{n4}$$

$$= 2 (0.875 - 0.124) \times 2.5 \times 0.875$$

$$= 3.285 \text{ in.}^2$$

$$A_3 = 2 t_{n4} h$$

$$= 2 \times 0.875 \times 4.0$$

$$= 7.0 \text{ in.}^2$$

$$A_4 = WL_3^2 + WL_4^2$$

$$= 1.25^2 + 0.5^2$$

$$= 1.516 \text{ in.}^2$$

Total area of available reinforcement provided by nozzle 4 in the diagonal plane

$$A_1 + A_2 + A_3 + A_4 = 16.076 \text{ in.}^2 \geq A_{d4}$$

as required for demonstration of compliance with PG-33.

The rule of PG-38.4 for the minimum required net cross-sectional area between any two finished openings shall apply as follows:

Net area required in longitudinal plane between nozzles 1 and 2

$$nar = 0.7 F_t D_1$$

$$= 0.7 \times 1.0 \times 2.711 \times 9$$

$$= 17.078 \text{ in.}^2$$

Net area provided in vessel wall

$$nav = [D_1 - 0.5 (dl_1 + dl_2)] t$$

$$= [9 - 0.5 \times (4.5 + 5)] \times 3.25$$

$$= 13.812 \text{ in.}^2$$

Net area provided in nozzle wall fused to vessel wall

$$nan = t_{n1} Wd_1 + t_{n1} Wd_2 + t_{n2} Wd_3 + t_{n2} Wd_4$$

$$= 0.875 \times 1.0 + 0.875 \times 1.0 + 1.0 \times 1.25 + 1.0 \times 1.25$$

$$= 4.25 \text{ in.}^2$$

Total net area provided in the longitudinal plane between nozzles 1 and 2

$$nav + nan = 18.0625 \text{ in.}^2 \geq nar \text{ as required for demonstration of compliance with PG-38.4}$$

Net area required in the circumferential plane between nozzles 2 and 3

$$nar = 0.7 F_t D_2$$

$$= 0.7 \times 0.5 \times 2.711 \times 6.5$$

$$= 6.167 \text{ in.}^2$$

Net area provided in vessel wall

$$nav = [D_2 - 0.5 (dl_2 + dl_3)] t$$

$$= [6.5 - 0.5 \times (5 + 5)] \times 3.25$$

$$= 4.875 \text{ in.}^2$$

Net area provided in the nozzle wall fused to the vessel wall

$$nan = T t_{n2} Wd_3 + t_{n2} Wd_4 + t_{n3} Wd_3 + t_{n3} Wd_4$$

$$= 1.0 \times 1.25 + 1.0 \times 1.25 + 1.0 \times 1.25 + 1.0 \times 1.25$$

$$= 5 \text{ in.}^2$$

Total net area provided in the circumferential plane between nozzles 2 and 3

$$nav + nan = 9.875 \text{ in.}^2 \geq nar \text{ as required for demonstration of compliance with PG-38.4}$$

Net area required in the diagonal plane between nozzles 3 and 4

$$nar = 0.7 F_t D_3$$

$$= 0.7 \times 0.88 \times 2.711 \times 8.25$$

$$= 13.776 \text{ in.}^2$$

Net area provided in vessel wall

$$nav = [D_3 - 0.5 (dl_3 + dl_4)] t$$

$$= [8.25 - 0.5 \times (5 + 4.5)] \times 3.25$$

$$= 11.375 \text{ in.}^2$$

Net area provided in the nozzle wall fused to the vessel wall

$$nan = t_{n3} Wd_3 + t_{n3} Wd_4 + t_{n4} Wd_1 + t_{n4} Wd_2$$

$$= 1.0 \times 1.25 + 1.0 \times 1.25 + 0.875 \times 1.0$$

$$+ 0.875 \times 1.0$$

$$= 4.25 \text{ in.}^2$$

Total net area provided in the diagonal plane between nozzles 3 and 4

$$nav + nan = 15.625 \text{ in.}^2 \geq nar \text{ as required for demonstration of compliance with PG-38.4}$$

Nozzles 1 and 4 — The required minimum strength to be provided by the combined load-carrying elements through each load-carrying path (see PG-37 and PW-15)

$$W = (A - A_1) S_v$$

$$= (12.199 - 2.860) \times 17,500$$

$$= 163,431 \text{ lb}$$

Strength of the welds

Fillet welds in shear

$$= \frac{1}{2} \pi \times (WL_1 + WL_2) dl_1 \text{ (factor in PW-15.2) } S$$

2010 SECTION I

$$= 0.5 \times 3.142 \times (1.125 + 0.5) \times 4.5 \times 0.49 \times 17,500$$

$$= 98,495 \text{ lb}$$

Groove welds in tension

$$= \frac{1}{2} \pi (Wd_1 + Wd_2) dl_1 \text{ (factor in PW-15.2)} S$$

$$= 0.5 \times 3.142 \times (1.0 + 1.0) \times 4.5 \times 0.74 \times 17,500$$

$$= 183,076 \text{ lb}$$

The combined strength equals 281,571 lb  $\geq$  W as required for demonstration of compliance with PG-37 and PW-15.

Nozzles 2 and 3 — The required minimum strength of the welds (see PG-37 and PW-15)

$$W = (A - A_1) S_y$$

$$= (13.544 - 2.368) \times 17,500$$

$$= 195,766 \text{ lb}$$

Strength of the welds

Fillet welds in shear

$$= \frac{1}{2} \pi (WL_3 + WL_4) dl_2 \text{ (factor in PW-15.2)} S$$

$$= 0.5 \times 3.142 \times (1.25 + 0.5) \times 5 \times 0.49 \times 17,500$$

$$= 117,859 \text{ lb}$$

Groove welds in tension

$$= \frac{1}{2} \pi (Wd_3 + Wd_4) dl_2 \text{ (factor in PW-15.2)} S$$

$$= 0.5 \times 3.142 \times (1.25 + 1.25) \times 5 \times 0.74 \times 17,500$$

$$= 254,273 \text{ lb}$$

The combined strength of path number 3 equals 372,132 lb  $\geq$  W as required for demonstration of compliance with PG-37 and PW-15.

Nozzles 1 and 4 — Verification of minimum weld sizing as required by PW-16.1 and Fig. PW-16.1, illustration (f)

Required per Fig. PW-16.1, illustration (f)

$$t_1 + t_2 \geq 1.25t_{\min}$$

$$t_c \geq 0.25$$

$$t_1 \geq 0.25$$

$$t_2 \geq 0.25$$

Actual per Fig. A-69

$$t_c = WL_2 \sin 45^\circ$$

$$= 0.5 \times 0.7071$$

$$= 0.354 \text{ in.}$$

$$t_{\min} = 0.75 \text{ in. (based on PW-16.2)}$$

$$t_1 = WL_1 \sin 45^\circ$$

$$= 1.125 \times 0.707$$

$$= 0.795 \text{ in.}$$

$$t_2 = Wd_1 + Wd_2$$

$$= 1.0 + 1.0$$

$$= 2 \text{ in.}$$

Verification

$$(t_1 + t_2 = 2.795) \geq (1.25t_{\min} = 0.937)$$

$$(t_c = 0.354) \geq 0.25$$

$$(t_1 = 0.795) \geq 0.25$$

$$(t_2 = 2) \geq 0.25$$

Nozzles 2 and 3 — Verification of minimum weld sizing as required by PW-16.1 and Fig. PW-16.1, illustration (f)

Required per Fig. PW-16.1, illustration (f)

$$t_1 + t_2 \geq 1.25t_{\min}$$

$$t_c \geq 0.25$$

$$t_1 \geq 0.25$$

$$t_2 \geq 0.25$$

Actual per Fig. A-69

$$t_c = WL_4 \sin 45^\circ$$

$$= 0.5 \times 0.707$$

$$= 0.354$$

$$t_{\min} = 0.75 \text{ in. (based on PW-16.2)}$$

$$t_1 = WL_3 \sin 45^\circ$$

$$= 1.25 \times 0.7071$$

$$= 0.884 \text{ in.}$$

$$t_2 = Wd_3 + Wd_4$$

$$= 1.25 + 1.25$$

$$= 2.5 \text{ in.}$$

Verification

$$(t_1 + t_2 = 3.384) \geq (1.25t_{\min} = 0.937)$$

$$(t_c = 0.354) \geq 0.25$$

$$(t_1 = 0.884) \geq 0.25$$

$$(t_2 = 2.5) \geq 0.25$$

As verified by the above demonstrations, the design proved to be in compliance with the requirements of Section I.

(10) A-70

A vessel constructed of SA-387 Grade 91 Class 2 plate with a longitudinal weld seam has an SA-335 P91 NPS 4 XXS pipe nozzle attached as shown in Fig. A-70. The maximum allowable working pressure is 1,900 psig at 1,000°F. The maximum allowable stress is 16,300 psi for both the vessel and the pipe connection. The vessel has received subcritical PWHT in accordance with PW-39 after welding. The vessel does not qualify for the exception in PG-32 and therefore must comply with PG-26, PG-27, and PG-33.

From Table PG-26, the weld strength reduction factor for CSEF (Sub Crit) at 1,000°F is  $w = 0.5$ . As indicated in PG-27.4, Note 1,  $E = w$ . From PG-27.4, Note 6,  $y = 0.7$ . From PG-27.4, Note 3,  $C = 0$ .

$$\begin{aligned} \text{Shell } t &= \frac{PD}{2SE + 2yP} + C \\ &= \frac{1,900 \times 18}{2 \times 16,300 \times 0.5 + 2 \times 0.7 \times 1,900} + 0 \\ &= 1.804 \text{ in.} \end{aligned}$$

The thickness of the vessel is greater than 1.804 in. and therefore satisfies the requirements of PG-26 and PG-27.

Minimum required thickness for reinforcement consideration

$$\begin{aligned} \text{Shell } t_r &= \frac{PD}{2SE + 2yP} + C \\ &= \frac{1,900 \times 18}{2 \times 16,300 \times 1.0 + 2 \times 0.7 \times 1,900} + 0 \\ &= 0.970 \text{ in.} \end{aligned}$$

$$\begin{aligned} \text{Nozzle } t_m &= \frac{PR}{SE - (1 - y)P} + C \\ &= \frac{1,900 \times 1.576}{2 \times 16,300 \times 1 - (1 - 0.7) 1,900} + 0 \end{aligned}$$

$$= 0.190 \text{ in.}$$

Area of reinforcement required in the longitudinal plane

$$\begin{aligned} A &= dt_r F \\ &= 3.152 \times 0.970 \times 1 \\ &= 3.057 \text{ in.}^2 \end{aligned}$$

Limit of reinforcement parallel to the vessel wall is the greater of

$$\begin{aligned} d \text{ or } R_n + t_n + t &= 1.576 + 0.674 + 2 \\ &= 4.25 \text{ in.} \end{aligned}$$

Limit of reinforcement normal to the vessel wall is the smaller of

$$\begin{aligned} 2^{1/2} t \text{ or } 2^{1/2} t_n + t_e &= 2.5 \times 0.674 + 0 \\ &= 1.685 \text{ in.} \end{aligned}$$

Area of reinforcement available

$$\begin{aligned} A_1 &= 2(t + t_n)(t - F t_r) \\ &= 2(2 + 0.674)(2 - 1 \times 0.970) \\ &= 5.509 \text{ in.}^2 \end{aligned}$$

$$\begin{aligned} A_2 &= 2(t_n - t_m)(2^{1/2} t_n + t_e) f_{r1} \\ &= 2(0.670 - 0.190)(2^{1/2} \times 0.674 + 0) 1 \\ &= 1.630 \text{ in.}^2 \end{aligned}$$

$$A_{41} = (WL_1)^2 f_{r2}$$

$$= 0.375^2$$

$$= 0.140 \text{ in.}^2$$

Total area available for reinforcement

$$= A_1 = A_2 = A_{41} = 7.279 \geq 3.057$$

therefore the opening is adequately reinforced.

Verification of minimum weld size as required by PW-16.1 and Fig. PW-16.1, illustration (a).

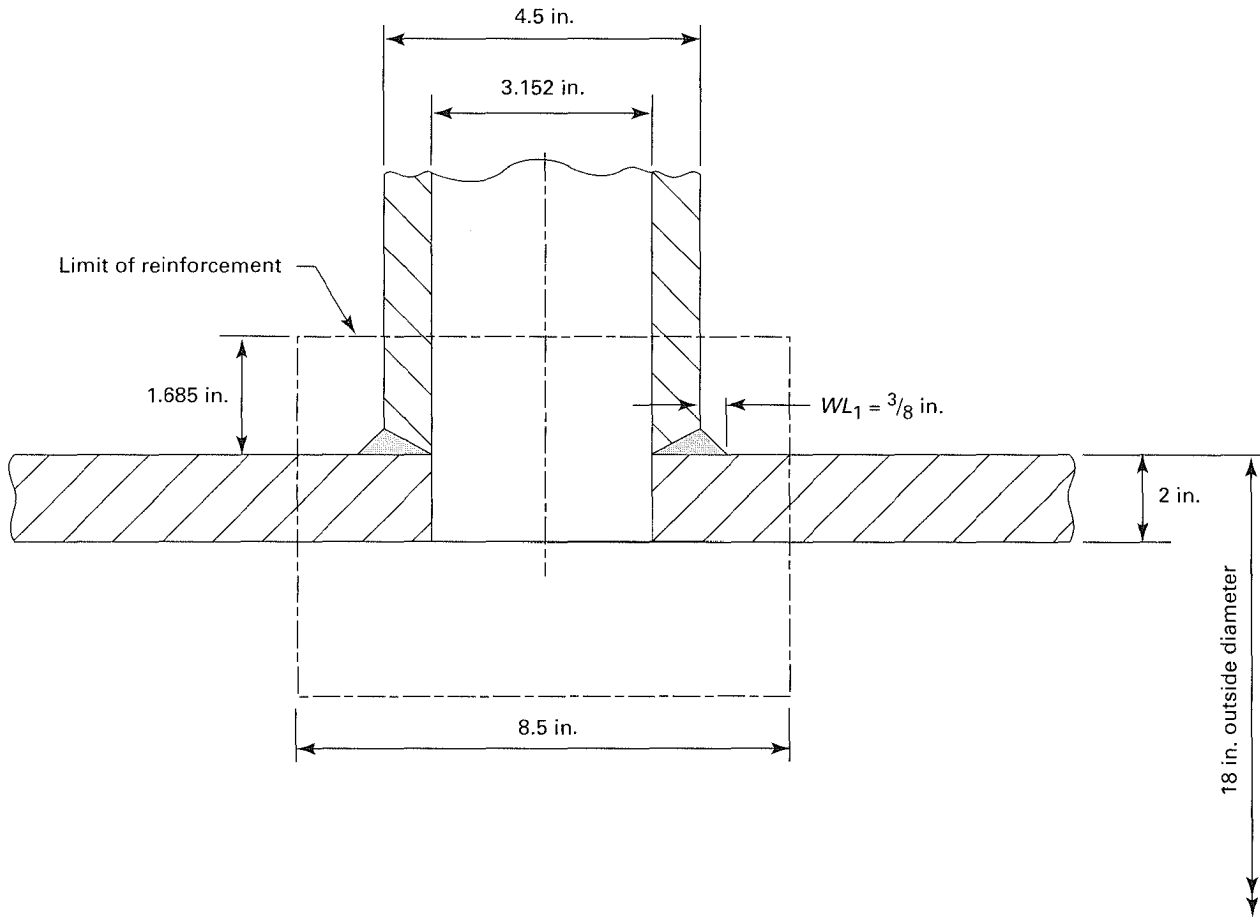
Required per Fig. PW-16.1, illustration (a),  $t_c$  must be greater than the smaller of  $1/4$  in. or  $0.7t_{\min}$ .

$$t_{\min} = 0.674 \text{ in.}$$

$$0.7t_{\min} = 0.472 \text{ in.}$$

$$t_c \geq 0.25$$

FIG. A-70 EXAMPLE FOR TYPICAL NOZZLE COMPUTATIONS



Actual per Fig. A-70

$$\begin{aligned}
 t_c &= WL_1 \sin 45 \text{ deg} \\
 &= 0.375 \times 0.7071 \\
 &= 0.265 > 0.255
 \end{aligned}$$

therefore the weld size is adequate.

**EXAMPLES OF COMPUTATION OF ALLOWABLE LOADING ON STRUCTURAL ATTACHMENTS TO TUBES**

**(10) A-71**

A tube is suspended by a welded attachment with the loads and dimensions as shown in Fig. A-71. This is a condition of direct radial loading on the tube.

The allowable lug loading is calculated for the following conditions:

- $D = 4 \text{ in.}$
- material = SA-213-T22
- MAWP = 2258 psi
- $T = 800^\circ\text{F}$
- $t = 0.30 \text{ in.}$

$\frac{1}{4}$  in. thick lug

7 deg attachment angle

- $S = 15,000 \text{ psi}$
- $S_a = 15,000 \text{ psi}$
- $S_f = 2.0 S_a - S = 15,000 \text{ psi}$

From Table PW-43.1,  $K = 1.07$

From Fig. PW-43.1 or PW-43.2.1 or PW-43.2.2

$$X = D/t^2 = 44.4$$

Compression  $L_f = 0.0326$

Tension  $L_f = 0.0405$

$$L_a = K (L_f)S$$

FIGS. A-71-A-74 TYPES OF STRUCTURAL ATTACHMENTS TO TUBES

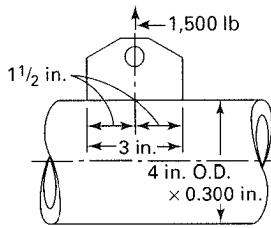


FIG. A-71

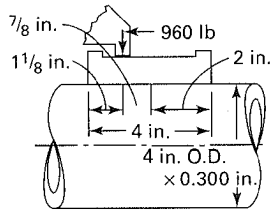


FIG. A-72

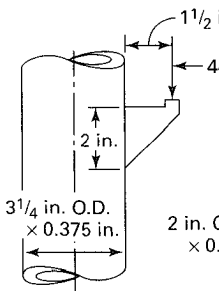


FIG. A-73

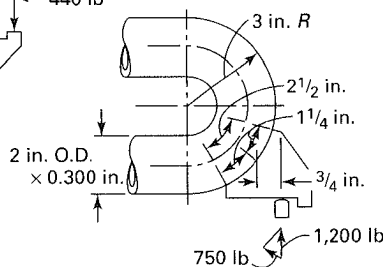


FIG. A-74

Compression  $L_a = (1.07)(0.0326)(15,000)$   
 $= 523 \text{ lb/in.}$

Tension  $L_a = (1.07)(0.0405)(15,000)$   
 $= 650 \text{ lb/in.}$

Actual load

$W = 1,500 \text{ lb (Tension)}$

$L = 1,500 \text{ lb}/3 \text{ in.} = 500 \text{ lb/in.} < 650 \text{ lb/in.}$

The loading indicated is therefore within the values allowed by the chart in Fig. PW-43.1.

**A-72**

A load is supported on a rubbing strip welded to a tube, as shown in Fig. A-72. This problem illustrates a condition where the load is not applied on the center of welded attachment.

The allowable lug loading is calculated for the same conditions given in example A-71

Compression  $L_a = (1.07)(0.0326)(15,000)$   
 $= 523 \text{ lb/in.}$

Tension  $L_a = (1.07)(0.0405)(15,000)$   
 $= 650 \text{ lb/in.}$

Actual unit load

$W = 960 \text{ lb}$

$L = \frac{960}{4} \pm \frac{(6 \times 960 \times 0.875)}{4^2} = 240 \pm 315$

$= 555 \text{ lb/in. compression; } 75 \text{ lb/in. tension}$

The actual loading does not exceed values of allowable loading.

**A-73**

**A-73.1** A load is supported from a vertical tube with a welded bracket attachment as shown in Fig. A-73. This example illustrates a condition of eccentric loading where the direct loading is not additive.

The allowable lug loading is calculated for the following conditions:

- $D = 3.25 \text{ in.}$
- material = SA-213-T22
- $MAWP = 3722 \text{ psi}$
- $T = 800^\circ\text{F}$
- $t = 0.375 \text{ in.}$

1/4 in. thick lug

10 deg attachment angle

- $S = 15,000 \text{ psi}$
- $S_a = 15,000 \text{ psi}$
- $S_t = 2.0 S_a - S = 15,000 \text{ psi}$

From Table PW-43.1,  $K = 1.108$

From Fig. PW-43.1, PW-43.2.1, or PW-43.2.2

$X = D/t^2 = 23.11$

Compression  $L_f = 0.0637$

Tension  $L_f = 0.090$

$L_a = K (L_f)S$

Compression  $L_a = (1.108)(0.0637)(15,000)$   
 $= 1,058 \text{ lb/in.}$

Tension  $L_a = (1.108)(0.090)(15,000) = 1,495 \text{ lb/in.}$

Actual

$W = 440 \text{ lb}$

$L = \frac{6 \times 440 \times 1.5}{2^2}$

$= 990 \text{ lb/in. compression or tension}$

The actual loading does not exceed values of allowable loading.

**A-73.2** To determine the maximum allowable loading on structural attachments to tubes, a test may be conducted on a full-size section of tube with attachment. The test may be considered as meeting the Code requirements provided

**A-73.2.1** The loading applied to the test specimen is at least equivalent to the design loading, and at the same time the tube is subjected to a hydrostatic pressure corresponding to design conditions.

**A-73.2.2** The test is conducted in accordance with the requirements of A-22 with the exception that the hydrostatic pressure shall be held at expected design pressure, and the loading on the support shall be increased until permanent set occurs.

**A-73.2.3** The maximum load  $P$ , allowed on the attachment at or below the pressure corresponding to the hydrostatic pressure, is given by the following equation:

$$P = \frac{HS}{E}$$

where

- $E$  = average proportional limit of the tube material, psi
- $H$  = test load at the proportional limit of the structure, lb
- $P$  = maximum allowable load on attachment, lb
- $S$  = working stress permitted in Table 1A of Section II, Part D, for the tube material at the design temperature that in no case shall be taken at less than 700°F, psi

**A-74**

A superheater section is supported by welded attachment to the short-radius return bend section as shown in Fig. A-74. This example illustrates a condition where a direct and eccentric load is applied to a bent tube section.

The allowable lug loading is calculated for the following conditions:

- $D$  = 2.0 in.
- material = SA-213-T22
- $MAWP$  = 5,087 psi
- $T$  = 700°F
- $t$  = 0.30 in.

1/4 in. thick lug

15 deg attachment angle

- $S$  = 15,000 psi
- $S_a$  = 15,000 psi
- $S_t$  = 2.0  $S_a - S$  = 15,000 psi

From Table PW-43.1,  $K = 1.16$

From Fig. PW-43.1, PW-43.2.1, or PW-43.2.2

$$X = D/t^2 = 22.2$$

Compression  $L_f = 0.0664$

Tension  $L_f = 0.0948$

For bend

$$X = (\text{Bend dia})/t^2 = 6/0.3^2 = 66.6$$

From Fig. PW-43.1 or eqs. PW-43.2.1 or PW-43.2.2

Compression  $L_f = 0.0215$

Tension  $L_f = 0.0257$

$$L_a = K(\sum L_f) S_t$$

Compression  $L_a = (1.16)(0.0664 + 0.0215)(15,000) = 1,529$  lb/in.

Tension  $L_a = (1.16)(0.0948 + 0.0257)(15,000) = 2,096$  lb/in.

Actual unit load

$$P = \frac{750}{2.5} \pm \frac{6 \times 1,200 \times 0.75}{2.5^2}$$

$$= 300 \pm 864 = 1,164 \text{ lb/in. compression; } 564 \text{ lb/in. tension}$$

The actual applied load is less than the values allowed by the chart in Fig. PW-43.1.

**PREHEATING**

**A-100**

**A-100.1** Preheating may be employed during welding to assist in completion of the welded joint. The need for and the temperature of preheat are dependent on a number of factors such as chemical analysis, degree of restraint of the parts being joined, elevated temperature mechanical properties, and material thicknesses. Mandatory rules for preheating are, therefore, not given in this Section except as required in Table PW-39. As a general guide, some minimum temperatures for preheating are given in A-100.4. It is cautioned that the preheating temperatures listed in A-100.4 do not necessarily ensure satisfactory completion of the welded joint. Requirements for individual materials within the P-Number listing may have preheating requirements more or less restrictive than this general guide. The Welding Procedure Specification for the material being welded shall specify the minimum preheating requirements described in the welding procedure qualification requirements of Section IX.

**A-100.2** The heat of welding may assist in maintaining preheat temperatures after the start of welding and, for inspection purposes, temperature measurements



may be made near the weld. The method or extent of application of preheat is not, therefore, specifically given. Normally, when materials of two different P-Number groups are joined by welding, the preheat used will be that of the material with the higher preheat specified on the Welding Procedure Specification.

**A-100.3** Thicknesses referred to are nominal at the weld for the parts to be joined.

#### **A-100.4 Minimum Temperatures for Preheating**

**A-100.4.1 P-No. 1, Group No. 1, 2, 3.** 175°F (80°C) for material that has both a specified maximum carbon content in excess of 0.30% and a thickness at the joint in excess of 1 in. (25 mm); 50°F (10°C) for all other materials in this grouping.

**A-100.4.2 P-No. 3, Group No. 1, 2, 3.** 175°F (80°C) for material that has either a specified minimum tensile strength in excess of 70,000 psi (480 MPa) or a thickness at the joint in excess of  $\frac{5}{8}$  in. (16 mm); 50°F (10°C) for all other materials in this grouping.

**A-100.4.3 P-No. 4, Group No. 1, 2.** 250°F (120°C) for material that has either a specified minimum tensile strength in excess of 60,000 psi (410 MPa) or a thickness at the joint in excess of  $\frac{1}{2}$  in. (13 mm); 50°F (10°C) for all other materials in this grouping.

**A-100.4.4 P-No. 5A, Group No. 1 and P-No. 5B, Group No. 1.** 400°F (205°C) for material that has either a specified minimum tensile strength in excess of 60,000 psi (410 MPa) or has both a specified minimum chromium content above 6.0% and a thickness at the joint in excess of  $\frac{1}{2}$  in. (13 mm); 300°F (150°C) for all other materials in this grouping.

**A-100.4.5 P-No. 6, Group No. 1, 2, 3.** 400°F (205°C).

**A-100.4.6 P-No. 7, Group No. 1, 2.** None.

**A-100.4.7 P-No. 8, Group No. 1, 2.** None.

**A-100.4.10 P-No. 10A, Group No. 1.** 175°F (80°C).

**A-100.4.11 P-No. 10I, Group No. 1.** 300°F (150°C) with interpass maintained between 350°F and 450°F (175°C and 230°C).

**A-100.4.12 P-No. 15E, Group No. 1.** 400°F (205°C) for material that has either a specified minimum tensile strength in excess of 60,000 psi (410 MPa) or has both a specified minimum chromium content above 6.0% and a thickness at the joint in excess of  $\frac{1}{2}$  in. (13 mm); 300°F (150°C) for all other materials in this grouping.

## **MAXIMUM ALLOWABLE WORKING PRESSURES — THICK SHELLS**

### **A-125 SHELLS FOR INTERNAL PRESSURE**

When the thickness of the shell exceeds one-half of the inside radius, the required thickness and maximum allowable working pressure on the cylindrical shell of a boiler or drum shall be determined by the following equations:

$$t = (\sqrt{Z_1} - 1)R = \left( \frac{\sqrt{Z_1} - 1}{\sqrt{Z_1}} \right) R_o$$

or

$$P = SE \frac{Z_2 - 1}{Z_2 + 1}$$

where

- $E$  = 1.0 for seamless cylinders without openings spaced to form ligaments
- = ligament efficiency per PG-52 or PG-53 for seamless cylinders with ligaments
- =  $w$ , the weld joint strength reduction factor per PG-26 for longitudinally welded cylinders without ligaments

For longitudinally welded cylinders with ligaments located such that no part of the longitudinal weld seam is penetrated by the openings forming the ligament,  $E$  shall be taken as the lesser of  $w$  or the ligament efficiency from PG-52 or PG-53. If any part of the longitudinal seam weld is penetrated by the openings that form the ligaments,  $E$  shall be taken as the product of  $w$  times the ligament efficiency.

- $P$  = maximum allowable working pressure
- $R$  = inside radius of the weakest course of the shell
- $R_o$  = outside radius of the weakest course of the shell
- $S$  = maximum allowable working unit stress, taken from Table 1A of Section II, Part D
- $t$  = minimum thickness of shell plates in weakest course
- $w$  = weld joint strength reduction factor per PG-26
- $Z_1 = (SE + P) / (SE - P)$
- $Z_2 = [(R + t) / R]^2 = (R_o / R)^2$

NOTE: Restrictions of PG-27.2.2 also apply to this paragraph.

## **ROUNDED INDICATION CHARTS**

### **A-250 ACCEPTANCE STANDARD FOR RADIOGRAPHICALLY DETERMINED ROUNDED INDICATIONS IN WELDS**

**A-250.1 Applicability of These Standards.** These standards are applicable to ferritic, austenitic, and nonferrous materials.

**A-250.2 Terminology**

**A-250.2.1 Rounded Indications.** Indications with a maximum length of three times the width or less on the radiograph are defined as rounded indications. These indications may be circular, elliptical, conical, or irregular in shape and may have tails. When evaluating the size of an indication, the tail shall be included. The indication may be from any imperfection in the weld, such as porosity, slag, or tungsten.

**A-250.2.2 Aligned Indications.** A sequence of four or more rounded indications shall be considered to be aligned when they touch a line parallel to the length of the weld drawn through the center of the two outer rounded indications.

**A-250.2.3 Thickness  $t$ .**  $t$  is the thickness of the weld, of the pressure-retaining material, or of the thinner of the sections being joined, whichever is least. If a full penetration weld includes a fillet weld, the thickness of the fillet weld throat shall be included in  $t$ .

**A-250.3 Acceptance Criteria**

**A-250.3.1 Image Density.** Density within the image of the indication may vary and is not a criterion for acceptance or rejection.

**A-250.3.2 Relevant Indications (See Table A-250.3.2 for Examples).** Only those rounded indications which exceed the following dimensions shall be considered relevant:

- (a)  $\frac{1}{10}t$  for  $t$  less than  $\frac{1}{8}$  in. (3 mm)
- (b)  $\frac{1}{64}$  in. (0.4 mm) for  $t$   $\frac{1}{8}$  in. to  $\frac{1}{4}$  in. (6 mm), inclusive
- (c)  $\frac{1}{32}$  in. (0.8 mm) for  $t$   $\frac{1}{4}$  in. (6 mm) to 2 in. (50 mm), inclusive
- (d)  $\frac{1}{16}$  in. (1.6 mm) for  $t$  greater than 2 in. (50 mm)

**A-250.3.3 Maximum Size of Rounded Indication (See Table A-250.3.2 for Examples).** The maximum permissible size of any indication shall be  $\frac{1}{4}t$ , or  $\frac{5}{32}$  in. (4 mm), whichever is smaller; except that an isolated indication separated from an adjacent indication by 1 in. (25 mm) or more may be  $\frac{1}{3}t$ , or  $\frac{1}{4}$  in. (6 mm), whichever is less. For  $t$  greater than 2 in. (50 mm) the maximum permissible size of an isolated indication shall be increased to  $\frac{3}{8}$  in. (10 mm).

**A-250.3.4 Aligned Rounded Indications.** Aligned rounded indications are acceptable when the summation of the diameters of the indications is less than  $t$  in a length of  $12t$  (see Fig. A-250.3.4-1). The length of groups of aligned rounded indications and the spacing between the groups shall meet the requirements of Fig. A-250-3.4-2.

**A-250.3.5 Spacing.** The distance between adjacent rounded indications is not a factor in determining acceptance or rejection, except as required for isolated indications or groups of aligned indications.

TABLE A-250.3.2  
MAXIMUM PERMISSIBLE SIZE OF  
ROUNDED INDICATION  
(Examples Only)

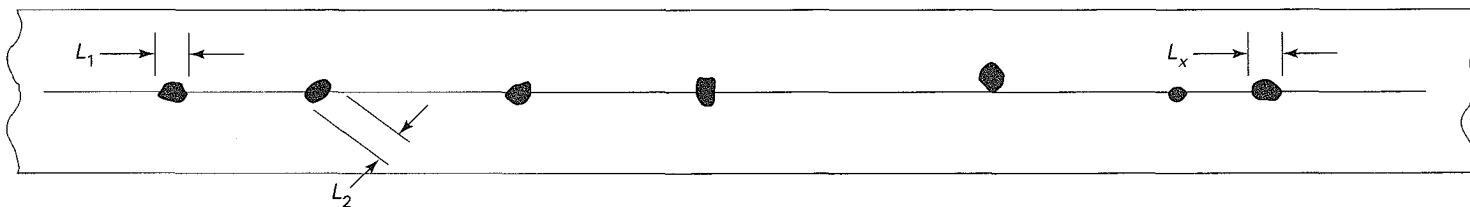
U.S. Customary Units			
Thickness $t$ , in.	Maximum Size of Acceptable Rounded Indication, in.		Maximum Size of Nonrelevant Indication, in.
	Random	Isolated	
Less than $\frac{1}{8}$	$\frac{1}{4}t$	$\frac{1}{3}t$	$\frac{1}{10}t$
$\frac{1}{8}$	0.031	0.042	0.015
$\frac{3}{16}$	0.047	0.063	0.015
$\frac{1}{4}$	0.063	0.083	0.015
$\frac{5}{16}$	0.078	0.104	0.031
$\frac{3}{8}$	0.091	0.125	0.031
$\frac{7}{16}$	0.109	0.146	0.031
$\frac{1}{2}$	0.125	0.168	0.031
$\frac{9}{16}$	0.142	0.188	0.031
$\frac{5}{8}$	0.156	0.210	0.031
$\frac{11}{16}$	0.156	0.230	0.031
$\frac{3}{4}$ to 2 incl.	0.156	0.250	0.031
Over 2	0.156	0.375	0.063
SI Units			
Thickness $t$ , mm	Maximum Size of Acceptable Rounded Indication, mm		Maximum Size of Nonrelevant Indication, mm
	Random	Isolated	
Less than 3	$\frac{1}{4}t$	$\frac{1}{3}t$	$\frac{1}{10}t$
3	0.79	1.07	0.38
5	1.19	1.60	0.38
6	1.60	2.11	0.38
8	1.98	2.64	0.79
10	2.31	3.18	0.79
11	2.77	3.71	0.79
13	3.18	4.27	0.79
14	3.61	4.78	0.79
16	3.96	5.33	0.79
17	3.96	5.84	0.79
19 to 50 incl.	3.96	6.35	0.79
Over 50	3.96	9.53	1.60

**A-250.3.6 Rounded Indication Charts.** The rounded indications characterized as imperfections shall not exceed that shown in the charts.

The charts in Figs. A-250.3.6-1 through A-250.3.6-6 illustrate various types of assorted, randomly dispersed, and clustered rounded indications for different weld thicknesses greater than  $\frac{1}{8}$  in. (3 mm). These charts represent the maximum acceptable concentration limits for rounded indications.

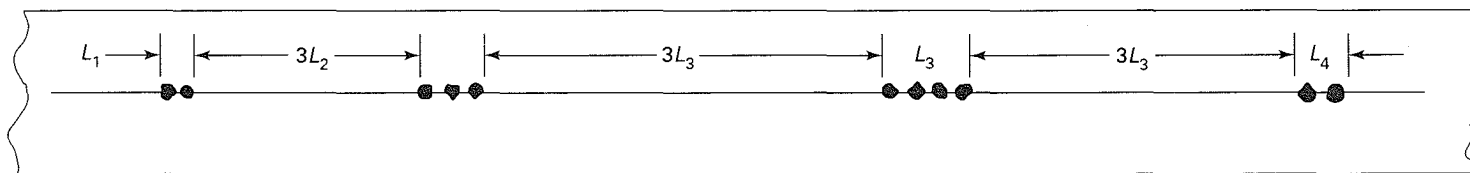
The chart for each thickness range represents full-scale 6 in. (150 mm) radiographs, and shall not be enlarged or reduced. The distributions shown are not necessarily the patterns that may appear on the radiograph, but are typical of the concentration and size of indications permitted.

FIG. A-250.3.4-1 ALIGNED ROUNDED INDICATIONS



GENERAL NOTE: Sum of  $L_1$  to  $L_x$  shall be less than  $t$  in a length of  $12 t$ .

FIG. A-250.3.4-2 GROUPS OF ALIGNED ROUNDED INDICATIONS



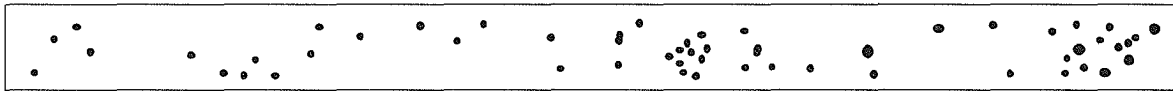
Maximum Group Length

- $L = 1/4$  in. (6 mm) for  $t$  less than  $3/4$  in. (19 mm)
- $L = 1/3 t$  for  $t$   $3/4$  in. (19 mm) to  $2 1/4$  in. (57 mm)
- $L = 3/4$  in. (19 mm) for  $t$  greater than  $2 1/4$  in. (57 mm)

Minimum Group Spacing

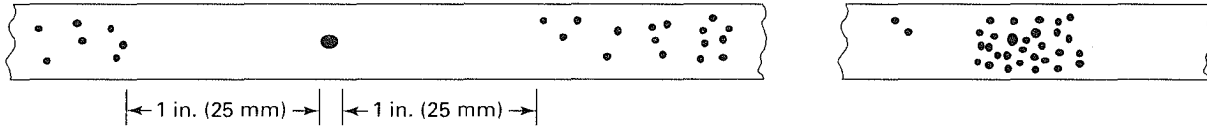
$3L$  where  $L$  is the length of the longest adjacent group being evaluated.

GENERAL NOTE: Sum of the group lengths shall be less than  $t$  in a length of  $12 t$ .

FIG. A-250.3.6-1 CHARTS FOR  $t \frac{1}{8}$  in. (3 mm) TO  $\frac{1}{4}$  in. (6 mm), INCLUSIVE

GENERAL NOTE: Typical concentration and size permitted in any 6 in. (150 mm) length of weld

(a) Random Rounded Indications



(b) Isolated Indication  
(Maximum size per Table A-250.3.2)

(c) Cluster

**A-250.3.7 Weld Thickness  $t$  Less Than  $\frac{1}{8}$  in. (3 mm).** For  $t$  less than  $\frac{1}{8}$  in. (3 mm), the maximum number of rounded indications shall not exceed 12 in a 6 in. (150 mm) length of weld. A proportionally fewer number of indications shall be permitted in welds less than 6 in. (150 mm) in length.

**A-250.3.8 Clustered Indications.** The illustrations for clustered indications show up to four times as many indications in a local area, as that shown in the illustrations for random indications. The length of an acceptable cluster shall not exceed the lesser of 1 in. (25 mm) or  $2t$ . Where more than one cluster is present, the sum of the lengths of the clusters shall not exceed 1 in. (25 mm) in a 6 in. (150 mm) length of weld.

## METHODS FOR MAGNETIC PARTICLE EXAMINATION (MT)

### A-260

**A-260.1 Scope.** This Appendix provides for procedures that shall be followed whenever magnetic particle examination is required by PG-93. The detailed examination method of Article 7 of Section V shall be used with the acceptance criteria specified in this Appendix. Magnetic particle examination shall be performed in accordance with a written procedure, certified by the Manufacturer to be in accordance with the requirement of T-150 of Section V.

**A-260.2 Certification of Personnel.** The Manufacturer shall certify that each magnetic particle examiner meets the following requirements:

(a) The examiner has vision, with correction if necessary, to enable him to read a Jaeger Type No. 2 Standard

Chart at a distance of not less than 12 in. (300 mm) and is capable of distinguishing and differentiating contrast between colors used. These capabilities shall be checked annually.

(b) The examiner is competent in the techniques of the magnetic particle examination method for which he is certified, including making the examination and interpreting and evaluating the results, except that where the examination method consists of more than one operation, he may be certified as being qualified only for one or more of these operations.

**A-260.3 Evaluation of Indications.** Indications will be revealed by retention of magnetic particles. All such indications are not necessarily imperfections, however, since excessive surface roughness, magnetic permeability variations (such as at the edge of heat affected zones), etc., may produce similar indications.

An indication of an imperfection may be larger than the imperfection that causes it; however, the size of the indication is the basis for acceptance evaluation. Only indications that have any dimension greater than  $\frac{1}{16}$  in. (1.5 mm) shall be considered relevant.

(a) A linear indication is one having a length greater than three times the width.

(b) A rounded indication is one of circular or elliptical shape with a length equal to or less than three times its width.

(c) Any questionable or doubtful indications shall be reexamined to determine whether or not they are relevant.

**A-260.4 Acceptance Standards.** All surfaces to be examined shall be free of

(a) relevant linear indications

(b) relevant rounded indications greater than  $\frac{3}{16}$  in. (5 mm)

(c) four or more relevant rounded indications in a line separated by  $\frac{1}{16}$  in. (1.5 mm) or less, edge to edge

## METHODS FOR LIQUID PENETRANT EXAMINATION (PT)

NOTE: Satisfactory application of this method of examination requires special skills in the techniques involved and in interpreting the results. The requirements specified herein presume application by suitably experienced personnel.

### A-270

**A-270.1 Scope.** This Appendix provides for procedures that shall be followed whenever liquid penetrant examination is required by PG-93. The detailed examination method of Article 6 of Section V shall be used with the acceptance criteria specified in this Appendix. Liquid penetrant examination shall be performed in accordance with a written procedure, certified by the Manufacturer to be in accordance with the requirement of T-150 of Section V.

**A-270.2 Certification of Personnel.** The Manufacturer shall certify that each liquid penetrant examiner meets the following requirements:

(a) The examiner has vision, with correction if necessary, to enable him to read a Jaeger Type No. 2 Standard Chart at a distance of not less than 12 in. (300 mm) and is capable of distinguishing and differentiating contrast between colors used. These capabilities shall be checked annually.

(b) The examiner is competent in the techniques of the liquid penetrant examination method for which he is certified, including making the examination and interpreting and evaluating the results, except that where the examination method consists of more than one operation, he may be certified as being qualified only for one or more of these operations.

**A-270.3 Evaluation of Indications.** An indication of an imperfection may be larger than the imperfection that causes it; however, the size of the indication is the basis for acceptance evaluation. Only indications that have any dimension greater than  $\frac{1}{16}$  in. (1.5 mm) shall be considered relevant.

(a) A linear indication is one having a length greater than three times the width.

(b) A rounded indication is one of circular or elliptical shape with a length equal to or less than three times its width.

(c) Any questionable or doubtful indications shall be reexamined to determine whether or not they are relevant.

**A-270.4 Acceptance Standards.** All surfaces to be examined shall be free of

(a) relevant linear indications

(b) relevant rounded indications greater than  $\frac{3}{16}$  in. (5 mm)

(c) four or more relevant rounded indications in a line separated by  $\frac{1}{16}$  in. (1.5 mm) or less, edge to edge

## QUALITY CONTROL SYSTEM

(10)

### A-301 GENERAL

**A-301.1 Quality Control System.** The Manufacturer or assembler shall have and maintain a quality control system which will establish that all Code requirements, including material, design, fabrication, examination (by the Manufacturer) and inspection of boilers and boiler parts (by the Authorized Inspector), will be met. The quality control systems of electric boiler Manufacturers, pressure relief valve manufacturers or assemblers shall include duties of a Certified Individual when required by this Section. The Certified Individual authorized to provide oversight may also serve as the Certificate Holder's authorized representative responsible for signing data reports or certificates of conformance.

Provided that Code requirements are suitably identified, the system may include provisions for satisfying any requirements by the Manufacturer or user which exceed minimum Code requirements and may include provisions for quality control of non-Code work. In such systems, the Manufacturer may make changes in parts of the system which do not affect the Code requirements without securing acceptance by the Authorized Inspector. Before implementation, revisions to quality control systems of Manufacturers and Assemblers of pressure relief valves shall have been found acceptable to an ASME designee if such revisions affect Code requirements.

The system that the Manufacturer or assembler uses to meet the requirements of this Section must be one suitable for his own circumstances. The necessary scope and detail of the system shall depend on the complexity of the work performed and on the size and complexity of the Manufacturer's (or assembler's) organization. A written description of the system the Manufacturer or assembler will use to produce a Code item shall be available for review. Depending upon the circumstances, the description may be brief or voluminous.

The written description may contain information of proprietary nature relating to the Manufacturer's (or assembler's) processes. Therefore, the Code does not require any distribution of this information, except for the Authorized Inspector or ASME designee.

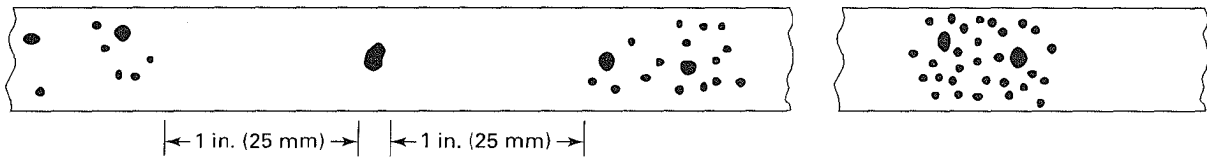
It is intended that information learned about the system in connection with evaluation will be treated as confidential and that all loaned descriptions will be returned to the Manufacturer upon completion of the evaluation.

FIG. A-250.3.6-2 CHARTS FOR  $t$  OVER  $\frac{1}{4}$  in. (6 mm) TO  $\frac{3}{8}$  in. (10 mm), INCLUSIVE



GENERAL NOTE: Typical concentration and size permitted in any 6 in. (150 mm) length of weld

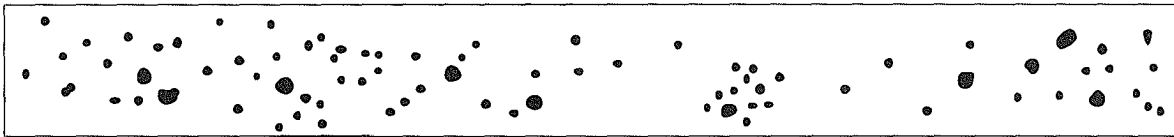
(a) Random Rounded Indications



(b) Isolated Indication  
(Maximum size per Table A-250.3.2)

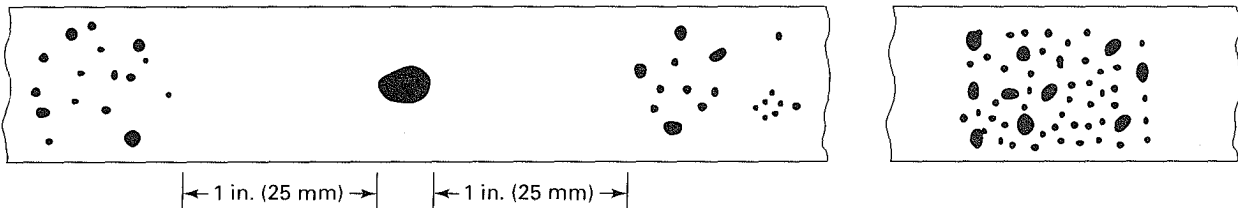
(c) Cluster

FIG. A-250.3.6-3 CHARTS FOR  $t$  OVER  $\frac{3}{8}$  in. (10 mm) TO  $\frac{3}{4}$  in. (19 mm), INCLUSIVE



GENERAL NOTE: Typical concentration and size permitted in any 6 in. (150 mm) length of weld

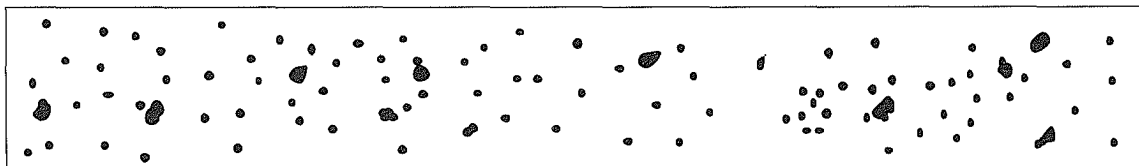
(a) Random Rounded Indications



(b) Isolated Indication  
(Maximum size per Table A-250.3.2)

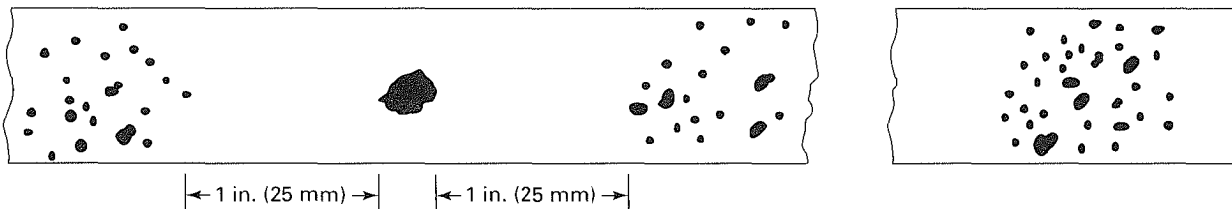
(c) Cluster

FIG. A-250.3.6-4 CHARTS FOR  $t$  OVER  $\frac{3}{4}$  in. (19 mm) TO 2 in. (50 mm), INCLUSIVE



GENERAL NOTE: Typical concentration and size permitted in any 6 in. (150 mm) length of weld.

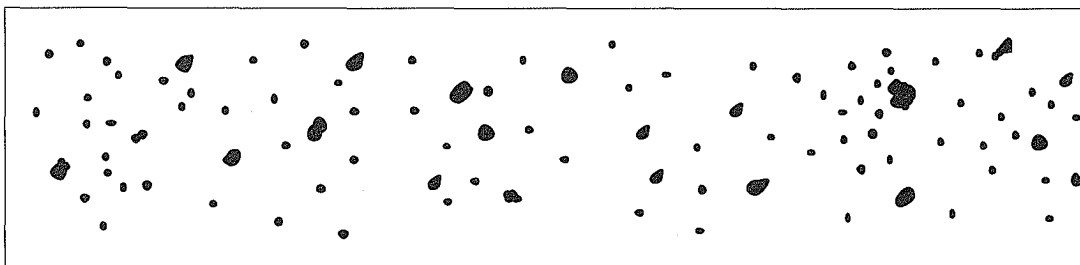
(a) Random Rounded Indications



(b) Isolated Indication  
(Maximum size per Table A-250.3.2)

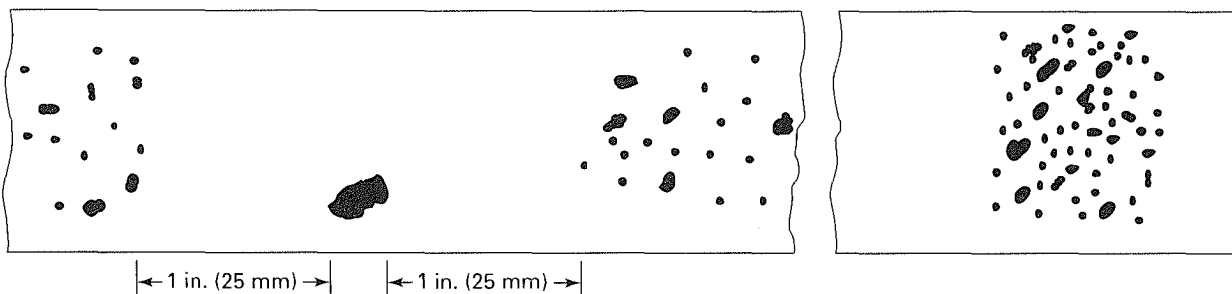
(c) Cluster

FIG. A-250.3.6-5 CHARTS FOR  $t$  OVER 2 in. (50 mm) TO 4 in. (100 mm), INCLUSIVE



GENERAL NOTE: Typical concentration and size permitted in any 6 in. (150 mm) length of weld.

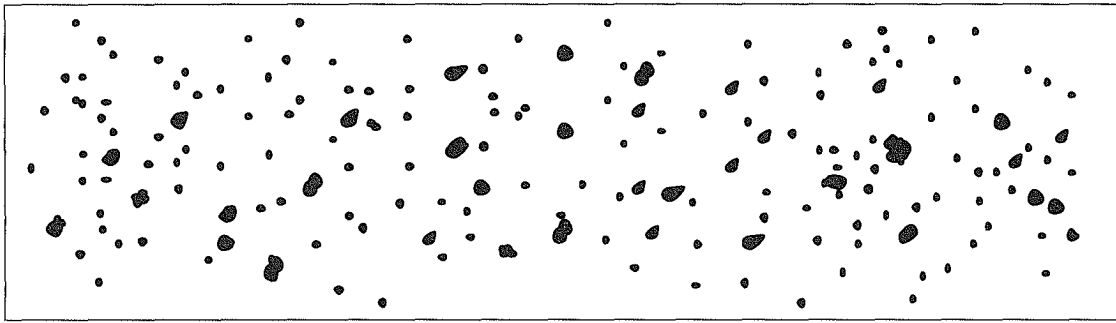
(a) Random Rounded Indications



(b) Isolated Indication  
(Maximum size per Table A-250.3.2)

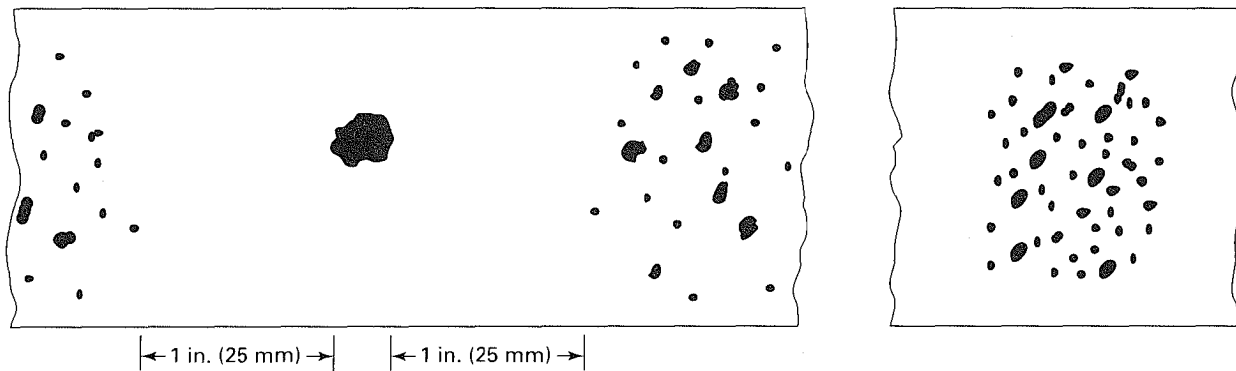
(c) Cluster

FIG. A-250.3.6-6 CHARTS FOR  $t$  OVER 4 in. (100 mm)



GENERAL NOTE: Typical concentration and size permitted in any 6 in. (150 mm) length of weld.

(a) Random Rounded Indications



(b) Isolated Indication  
(Maximum size per Table A-250.3.2)

(c) Cluster

**A-302 OUTLINE OF FEATURES TO BE INCLUDED IN THE WRITTEN DESCRIPTION OF THE QUALITY CONTROL SYSTEM**

The following is a guide to some of the features that should be covered in the written description of the quality control system and that is equally applicable to both shop and field work.

**A-302.1 Authority and Responsibility.** The authority and responsibility of those in charge of the quality control system shall be clearly established. Persons performing quality control functions shall have sufficient and well-defined responsibility, the authority, and the organizational freedom to identify quality control problems and to initiate, recommend, and provide solutions.

**A-302.2 Organization.** An organization chart showing the relationship between management and engineering, purchasing, manufacturing, field assembling,

inspection, and quality control, is required to reflect the actual organization. The purpose of this chart is to identify and associate the various organizational groups with the particular function for which they are responsible. The Code does not intend to encroach on the Manufacturer's right to establish, and from time to time to alter, whatever form of organization the Manufacturer considers appropriate for its Code work.

**A-302.3 Drawings, Design Calculations, and Specification Control.** The Manufacturer's or assembler's quality control system shall provide procedures which will assure that the latest applicable drawings, design calculations, specifications and instructions, required by the Code, as well as authorized changes, are used for manufacture, assembly, examination, inspection, and testing.

**A-302.4 Material Control.** The Manufacturer or assembler shall include a system of receiving control

(10)



that will ensure that the material received is properly identified, has the correct documentation, including required material certifications or material test reports, and satisfies Code requirements as ordered. The material control system shall ensure that only the intended material is used in Code construction.

**A-302.5 Examination and Inspection Program.** The Manufacturer's quality control system shall describe the fabrication operations, including examinations, sufficiently to permit the Authorized Inspector to determine at what stages specific inspections are to be performed.

**A-302.6 Correction of Nonconformities.** There shall be a system agreed upon with the Authorized Inspector for correction of nonconformities. A nonconformity is any condition that does not comply with the applicable rules of this Section. Nonconformities must be corrected or eliminated in some way before the completed component can be considered to comply with this Section.

**A-302.7 Welding.** The quality control system shall include provisions for indicating that welding conforms to requirements of Section IX as supplemented by this Section. Manufacturers intending to use AWS Standard Welding Procedures shall describe control measures used to assure that the welding meets the requirements of this Section (see PW-1.2) and Section IX.

**A-302.8 Nondestructive Examination.** The quality control system shall include provisions for identifying nondestructive examination procedures the Manufacturer will apply to conform with requirements of this Section.

**A-302.9 Heat Treatment.** The quality control system shall provide controls to assure that heat treatments as required by the rules of this Section are applied. Means shall be indicated by which the Authorized Inspector can satisfy himself that these Code heat treatment requirements are met. This may be by review of furnace time-temperature records or by other methods as appropriate.

**A-302.10 Calibration of Measurement and Test Equipment.** The Manufacturer or assembler shall have a system for the calibration of examination, measuring, and test equipment used in fulfillment of requirements of this Section.

**A-302.11 Records Retention.** The Manufacturer or assembler shall have a system for the maintenance of radiographs and Manufacturers' Data Reports as required by this Section.

**A-302.12 Sample Forms.** The forms used in the quality control system and any detailed procedures for their use shall be available for review. The written description shall make necessary references to these forms.

### **A-302.13 Inspection of Boilers and Boiler Parts**

**A-302.13.1** Inspection of boilers and boiler parts shall be by the Authorized Inspector described in PG-91.

**A-302.13.2** The written description of the quality control system shall include reference to the Authorized Inspector and when required, the Certified Individual.

**A-302.13.2.1** The Manufacturer (or assembler) shall make available to the Authorized Inspector at the Manufacturer's plant (or construction site) a current copy of the written description or the applicable quality control system.

**A-302.13.2.2** The Manufacturer's quality control system shall provide for the Authorized Inspector at the Manufacturer's plant to have access to all drawings, calculations, specifications, procedures, process sheets, repair procedures, records, test results, and any other documents as necessary for the Inspector to perform his duties in accordance with this Section. The Manufacturer may provide such access either to his own files of such documents or by providing copies to the Inspector.

### **A-302.14 Inspection of Pressure Relief Valves**

**A-302.14.1** Inspection of pressure relief valves shall be by designated representative of the ASME, as described in PG-73.3.

**A-302.14.2** The written description of the quality control system shall include reference to the CI and the ASME designee.

**A-302.14.2.1** The valve Manufacturer (or assembler) shall make available to the ASME designee at the Manufacturer's plant a current copy of the written description of the applicable quality control system.

**A-302.14.2.2** The valve Manufacturer's (or assembler's) quality control system shall provide for the ASME designee to have access to all drawings, calculations, specifications, procedures, process sheets, repair procedures, records, test results, and any other documents as necessary for the designee to perform his duties in accordance with this Section. The Manufacturer may provide such access either to his own files of such documents or by providing copies to the designee.

**A-302.15 Certifications.** Methods other than written signature may be used for indicating certifications, authorizations, and approvals where allowed and as described elsewhere in this Section. Where other methods are employed, controls and safeguards shall be provided and described to ensure the integrity of the certification, authorization, and approval.

(10)

**ACCEPTANCE OF TESTING  
LABORATORIES AND AUTHORIZED  
OBSERVERS FOR CAPACITY  
CERTIFICATION OF PRESSURE  
RELIEF VALVES**

**A-311 SCOPE**

These rules cover the requirements for ASME acceptance of testing laboratories and Authorized Observers for conducting capacity certification tests of pressure relief valves.

**A-312 TEST FACILITIES AND  
SUPERVISION**

The tests shall be conducted at a place where the testing facilities, methods, procedures, and person supervising the tests (Authorized Observer) meet the applicable requirements of ASME PTC 25, Pressure Relief Devices. The tests shall be made under the supervision of and certified by the Authorized Observer. The testing facilities, methods, procedures, and the qualifications of the Authorized Observer shall be subject to the acceptance of the ASME Boiler and Pressure Vessel Committee on recommendation of an ASME designee. Acceptance of the testing facility is subject to review within each 5 year period. The testing laboratory shall have available for reference a copy of ASME PTC 25 and Section I.

**A-313 ACCEPTANCE OF TESTING  
FACILITY**

Before recommendation is made to the ASME Boiler and Pressure Vessel Committee on the acceptability of a testing facility, an ASME designee shall review the applicant's quality control system and testing facility, and shall witness test runs. Before a favorable recommendation can be made to the Committee, the testing facility must meet all applicable requirements of ASME PTC 25. Uncertainty in final flow measurement results shall not exceed  $\pm 2\%$ . To determine the uncertainty in final flow measurements, the results of flow tests on an object tested at the applicant's testing laboratory will be compared to flow test results on the same object tested at the National Board Testing Laboratory.

**A-314 QUALITY CONTROL SYSTEM OF  
TESTING LABORATORY**

The applicant shall prepare a Quality Control Manual describing his quality control system which shall clearly establish the authority and responsibility of those in charge of the quality control system. The manual shall include a description of the testing facility, testing arrangements, pressure, size and capacity limitations, and

the testing medium used. An organization chart showing the relationship among the laboratory personnel is required to reflect the actual organization.

The Quality Control Manual shall include, as a minimum, the applicable requirements of this Section and ASME PTC 25, including but not limited to, a description of the Quality Control Manual and document control, the procedure to be followed when conducting tests, the methods by which test results are to be calculated, how test instruments and gages are to be calibrated, and methods of identifying and resolving nonconformities. Sample forms shall be included. If testing procedure specifications or other similar documents are referenced, the Quality Control Manual shall describe the methods of their approval and control.

**A-315 TESTING PROCEDURES**

(a) Flow tests shall be conducted at the applicant's facility, including the testing of one or more valves and other flow devices (nozzle orifice or other object with a fixed flow path) in accordance with the methods specified by this Section and ASME PTC 25. The capacity of the devices to be tested shall fall within the testing capability of the laboratory being evaluated and the National Board Testing Laboratory. The ASME designee will observe the procedures and methods of tests, and the recording of results.

(b) The devices tested at the applicant's facility will then be tested at the National Board Testing Laboratory in Columbus, Ohio, to confirm the test results obtained. Agreement between the results of the two laboratories shall be within  $\pm 2\%$ . The purpose of comparing test results at the two laboratories is not only to check procedures but also all test instruments and equipment of the applicant's facility over the capacity and pressure range proposed. Since the capabilities of each laboratory are different, no specific number of tests can be predetermined. The number will be in accordance with the flow capability and measurement techniques available at the laboratory being evaluated. Provided the above tests and comparisons are found acceptable, the ASME designee will submit a report to the Society recommending the laboratory be accepted for the purpose of conducting capacity certification tests. If a favorable recommendation cannot be given, the ASME designee will provide, in writing to the Society, the reasons for such a decision.

**A-316 AUTHORIZED OBSERVERS**

An ASME designee shall review and evaluate the experience and qualifications of persons who wish to be designated as Authorized Observers. Following such review and evaluation the ASME designee shall make a report to the Society. If a favorable recommendation is not made,

full details shall be provided in the report.

Persons designated as Authorized Observers by the ASME Boiler and Pressure Vessel Committee shall supervise capacity certification tests only at testing facilities specified by the Committee.

### A-317 CYLINDRICAL COMPONENTS UNDER INTERNAL PRESSURE

- (10) **A-317.1 General.** The requirements of this Appendix may be used in place of the requirements of PG-27 to determine the minimum required thickness or the maximum allowable working pressure of piping, tubes, drums, shells, and headers for temperatures not exceeding those given for the various materials listed in Tables 1A and 1B of Section II, Part D. The calculated and ordered thickness of material must include the requirements of PG-16.2, PG-16.3, and PG-16.4. Design calculations must include the loadings as defined in PG-22. When required by the provisions of this Code, allowance must be provided in material thickness for threading and minimum structural stability (see PWT-9.2 and A-317.3, Notes 3 and 5).

#### A-317.2 Formula for Calculation

**A-317.2.1 Formulas (Based on the Strength of the Weakest Course).** The minimum required thickness shall be calculated from

$$t = D(1 - e^{(-P/SE)})/2 + C + f$$

or

$$t = D_i(e^{(P/SE)} - 1)/2 + C + f$$

For the maximum allowable pressure, this becomes

$$P = SE \log_e \{D/[D - 2(t - C - f)]\}$$

or

$$P = SE \log_e \{[D_i + 2(t - C - f)]/D_i\}$$

where

$C$  = minimum allowance for threading and structural stability (see A-317.3, Note 3)

$D$  = outside diameter of cylinder, less any portion of  $C$  that might pertain to the O.D.

$D_i$  = inside diameter of cylinder, plus any portion of  $C$  that might pertain to the I.D.

$E$  = efficiency (see A-317.3, Note 1)

$e$  = the base of natural logarithms

$f$  = thickness factor for expanded tube ends (see A-317.3, Note 4)

$P$  = maximum allowable working pressure (see PG-21)

$S$  = maximum allowable stress value at the design temperature of the metal, as listed in the tables

specified in PG-23 (see A-317.3, Note 2)

$t$  = minimum required thickness (see A-317.3, Note 6)

$w$  = weld joint strength reduction factor per PG-26

**A-317.2.1.2** The wall thickness of the ends of tubes strength-welded to headers or drums need not be made greater than the run of the tube as determined by this equation.

**A-317.2.1.3** A tube in which a fusible plug is to be installed shall be not less than 0.22 in. (5.6 mm) in thickness at the plug in order to secure four full threads for the plug (see also A-20).

**A-317.2.1.4** Bimetallic sections meeting the requirements of PG-9.4 shall use as an outside diameter  $D$ , in the equation given in A-317.2.1, not less than the calculated outside diameter of the core material. The outside diameter of the core material shall be determined by subtracting the minimum thickness of the cladding from the outside diameter of the bimetallic section, including the maximum plus tolerance. The minimum required thickness  $t$  should apply only to the core material.

**A-317.3 Notes.** Notes applicable to the equation given in A-317.2.1 are as follows:

(a) *Note 1*

- $E$  = 1.0 for seamless cylinders without openings spaced to form ligaments
- = ligament efficiency per PG-52 or PG-53 for seamless cylinders with ligaments
- =  $w$ , the weld joint strength reduction factor per PG-26 for longitudinally welded cylinders without ligaments

For longitudinally welded cylinders with ligaments located such that no part of the longitudinal weld seam is penetrated by the openings forming the ligament,  $E$  shall be taken as the lesser of  $w$  or the ligament efficiency from PG-52 or PG-53. If any part of the longitudinal seam weld is penetrated by the openings that form the ligaments,  $E$  shall be taken as the product of  $w$  times the ligament efficiency.

(b) *Note 2.* The temperature of the metal to be used in selecting the  $S$  value shall be not less than the maximum expected mean wall temperature, i.e., the sum of the outside and inside surface temperatures divided by 2. For situations where there is no heat absorption, the metal temperature may be taken as the temperature of the fluid being transported, but not less than the saturation temperature.

(c) *Note 3.* Any additive thickness represented by the general term  $C$  may be considered to be applied on the outside, the inside, or both. It is the responsibility of the designer using these equations to make the appropriate selection of diameter or radius to correspond to the

intended location and magnitude of this added thickness. The pressure- or stress-related terms in the equation should be evaluated using the diameter (or radius) and the remaining thickness which would exist if the “additive” thickness had not been applied or is imagined to have been entirely removed.

The values of *C* below are mandatory allowances for threading. They do not include any allowance for corrosion and/or erosion, and additional thickness should be provided where they are expected.

Threaded Sections, in. (mm)	Value of <i>C</i> , in. (mm)
3/4 (19) nominal, and smaller	0.065 (1.65)
1 (25) nominal, and larger	depth of thread <i>h</i>

(1) Steel or nonferrous pipe lighter than Schedule 40 of ASME B36.10M, *Welded and Seamless Wrought Steel Pipe*, shall not be threaded.

(2) The values of *C* stipulated above are such that the actual stress due to internal pressure in the wall of the pipe is not greater than the values of *S*, given in Table 1A of Section II, Part D, as applicable in the equations.

(3) The depth of thread *h* in inches may be determined from the equation  $h = 0.8/n$ , where *n* is the number of threads per inch.

(d) Note 4

- f* = 0.04 in. (1.0 mm) over a length at least equal to the length of the seat plus 1 in. (25 mm) for tubes expanded into tube seats, except
  - = 0 for tubes expanded into tube seats, provided the thickness of the tube ends over a length of the seat plus 1 in. (25 mm) is not less than the following:
    - = 0.095 in. (2.41 mm) for tubes 1 1/4 in. (32 mm) O.D. and smaller
    - = 0.105 in. (2.67 mm) for tubes above 1 1/4 in. (32 mm) O.D. and up to 2 in. (50 mm) O.D.
    - = 0.120 in. (3.05 mm) for tubes above 2 in. (50 mm) O.D. and up to 3 in. (75 mm) O.D.
    - = 0.135 in. (3.43 mm) for tubes above 3 in. (75 mm) O.D. and up to 4 in. (100 mm) O.D.
    - = 0.150 in. (3.81 mm) for tubes above 4 in. (100 mm) O.D. and up to 5 in. (125 mm) O.D.
  - = 0 for butt welds and for tubes strength-welded to headers and drums

(e) Note 5. While the thickness given by the equation is theoretically ample to take care of both bursting pressure and material removed in threading, when steel pipe is threaded and used for steam pressures of 250 psi (1 720 kPa) and over, it shall be seamless and of a weight at least equal to Schedule 80 in order to furnish added mechanical strength.

(f) Note 6. If pipe is ordered by its nominal wall thickness, as is customary in trade practice, the manufacturing tolerance on wall thickness shall be taken into account. After the minimum pipe wall thickness *t* is determined by the equation, this minimum thickness shall be increased by an amount sufficient to provide the manufacturing tolerance allowed in the applicable pipe specification. The next heavier commercial wall thickness may then be selected from Standard thickness schedules as contained in ASME B36.10M. The manufacturing tolerances are given in the several pipe specifications listed in PG-9.

(g) Note 7. When computing the allowable pressure for a section of a definite minimum wall thickness, the value obtained by the equations may be rounded out to the next higher unit of 10.

**DATA REPORT FORMS AND GUIDES**

**A-350 GUIDES FOR COMPLETING MANUFACTURERS’ DATA REPORT FORMS**

Immediately following each of the included Data Report Forms (P-2, P-2A, P-2B, P-3, P-3A, P-4, P-4A, P-4B, P-5, P-7, and P-8) is a guide for completing that form. The explanations included in the guides are keyed to the Data Report Forms in the following manner:

- ① Circled numbers on each of the forms refer to the items listed on the applicable guide.
- 1 Numbers without circles appearing in the guide identify specific line or item numbers of the form.

No guide is provided for completing Form P-6, Manufacturer’s Data Report Supplementary Sheet.

A-357 of Appendix A is a guide for determining the Data Report Forms required for Section I construction.

Any quantity to which units apply shall be entered on the Manufacturer’s Data Report with the chosen units.

**FORM P-2 MANUFACTURER'S DATA REPORT FOR ALL TYPES OF BOILERS  
EXCEPT WATERTUBE AND ELECTRIC  
As Required by the Provisions of the ASME Code Rules, Section I**

1. Manufactured by \_\_\_\_\_ (1)  
(Name and address of manufacturer)

2. Manufactured for \_\_\_\_\_ (2)  
(Name and address of purchaser)

3. Location of Installation \_\_\_\_\_ (3)  
(Name and address)

4. Type \_\_\_\_\_ (4) Boiler No. \_\_\_\_\_ (5) \_\_\_\_\_ (5) \_\_\_\_\_ (5) \_\_\_\_\_ (5) Year Built \_\_\_\_\_ (6)  
(HRT, etc.) (Mfr's. Serial No.) (CRN) (Drawing No.) (Nat'l Board No.)

5. The chemical and physical properties of all parts meet the requirements of material specifications of the ASME BOILER AND PRESSURE VESSEL CODE. The design, construction, and workmanship conform to Section I of the ASME BOILER AND PRESSURE VESSEL CODE \_\_\_\_\_ (7)  
(Year)

Addenda to \_\_\_\_\_ (8) (Date) (if applicable), and Code Cases \_\_\_\_\_ (Numbers)

Manufacturer's Partial Data Reports properly identified and signed by Commissioned Inspectors are attached for the following items of this report:  
\_\_\_\_\_ (9)  
(Name of part, item number, mfr's. name and identifying stamp)

6. Shells or drums \_\_\_\_\_ (10) \_\_\_\_\_ (11) \_\_\_\_\_  
(no.) (mat'l. spec. gr.) (thickness) (diameter (ID)) (length, inside) (diameter (ID)) (length, inside)

7. Joints \_\_\_\_\_ (12) \_\_\_\_\_ (13) \_\_\_\_\_ (14) \_\_\_\_\_  
(long (seamless, welded)) (efficiency (as compared with seamless)) (girth (seamless, welded)) (no. of shell courses)

8. Heads \_\_\_\_\_  
(Material Specification No.: Thickness — Flat, Dished, Ellipsoidal — Radius of Dish)

9. Tubesheet \_\_\_\_\_ (11) Tube Holes \_\_\_\_\_  
(Mat'l. Spec., Grade, Thickness) (Diameter)

10. Boiler Tubes: No. \_\_\_\_\_ (11) \_\_\_\_\_  
(Mat'l. Spec., Grade) (Straight or Bent)

Diameter \_\_\_\_\_ Length \_\_\_\_\_ Gage \_\_\_\_\_  
(If various, give max. & min.) (or thickness)

11. Furnace No. \_\_\_\_\_ (15) Size \_\_\_\_\_ (O.D. or WxH) Length, each section \_\_\_\_\_ (16) Total \_\_\_\_\_ (16)

Type \_\_\_\_\_ (17)  
(Plain, Adamson, Ring Reinforced, Corrugated, Combined, or Stayed)

\_\_\_\_\_ (11) Seams: Type \_\_\_\_\_ (12)  
(Mat'l. Spec., Grade, Thickness) (Seamless, Welded)

12. Staybolts: No. \_\_\_\_\_ Size \_\_\_\_\_ (18) \_\_\_\_\_ (11) \_\_\_\_\_ (19)  
(Diameter, Mat'l. Spec., Grade, Size Telltale, Net Area)

Pitch \_\_\_\_\_ MAWP \_\_\_\_\_ (20) psi.  
(Horizontal and Vertical)

13. Stays or braces

Location	Material Spec. No.	Type	No. and Size	Maximum Pitch	Fig. PFT-32 L/I	Dist. Tubes to Shell	MAWP
(a) F.H. above tubes	(11)	(21)			(23)	(23)	(23)
(b) R.H. above tubes							
(c) F.H. below tubes							
(d) R.H. below tubes							
(e) Through stays							
(f) Dome braces							

14. Other Parts. 1. \_\_\_\_\_ (24) 2. \_\_\_\_\_ 3. \_\_\_\_\_  
(Brief Description — i.e., Dome, Boiler Piping, etc.)

1. \_\_\_\_\_ (25) \_\_\_\_\_ (11)

2. \_\_\_\_\_

3. \_\_\_\_\_  
(Mat'l. Spec., Grade, Size, Material Thickness, MAWP)

2010 SECTION I

FORM P-2

Boiler No. \_\_\_\_\_ (Mr's. Serial No.) \_\_\_\_\_ (CRN) \_\_\_\_\_ (Drawing No.) \_\_\_\_\_ (Nat'l Board No.)

15. Openings: (a) Steam \_\_\_\_\_ (No., Size, and Type) (b) Pressure Relief Valve \_\_\_\_\_ (No., Size, and Type)  
 (c) Blowoff \_\_\_\_\_ (No., Size, Type, and Location) (d) Feed \_\_\_\_\_ (No., Size, Type, and Location)  
 (e) Manholes: No. \_\_\_\_\_ Size \_\_\_\_\_ Location \_\_\_\_\_  
 (f) Handholes: No. \_\_\_\_\_ Size \_\_\_\_\_ Location \_\_\_\_\_
16. Fusible Plug (if used) \_\_\_\_\_ (No., Diameter, Location, and Mfr's. Stamp)
17. Boiler Supports: No. \_\_\_\_\_ Type \_\_\_\_\_ Attachment \_\_\_\_\_ (Saddles, Legs, or Lugs) (Bolted or Welded)
18. MAWP \_\_\_\_\_ (27) Based On \_\_\_\_\_ (28) Heating Surface \_\_\_\_\_ (29) (Code Para. and/or Formula) (Total)
19. Shop Hydrostatic Test \_\_\_\_\_ (30) 20. Maximum Designed Steaming Capacity \_\_\_\_\_
21. Remarks \_\_\_\_\_

**31 CERTIFICATE OF SHOP COMPLIANCE**

We certify that the statements made in this data report are correct and that all details of design, material, construction, and workmanship of this boiler conform to Section I of the ASME BOILER AND PRESSURE VESSEL CODE.

Our Certificate of Authorization no. \_\_\_\_\_ to use the (S) \_\_\_\_\_ symbol expires \_\_\_\_\_ (32)  
 Date \_\_\_\_\_ Signed \_\_\_\_\_ (Authorized Representative) Name \_\_\_\_\_ (Manufacturer)

**23 CERTIFICATE OF SHOP INSPECTION**

Boiler constructed by \_\_\_\_\_ at \_\_\_\_\_  
 I, the undersigned, holding a valid commission issued by the National Board of Boiler and Pressure Vessel Inspectors and/or the state or province of \_\_\_\_\_ (34) and employed by \_\_\_\_\_  
 \_\_\_\_\_ (35) have inspected parts of this boiler referred to as data items \_\_\_\_\_  
 \_\_\_\_\_ (36) and have examined Manufacturer's Partial Data Reports for items \_\_\_\_\_  
 \_\_\_\_\_ and state that, to the best of my knowledge and belief, the manufacturer has constructed this boiler in accordance with Section I of the ASME BOILER AND PRESSURE VESSEL CODE.

By signing this certificate, neither the inspector nor his employer makes any warranty, expressed or implied, concerning the boiler described in this Manufacturer's Data Report. Furthermore, neither the inspector nor his employer shall be liable in any manner for any personal injury or property damage or a loss of any kind arising from or connected with this inspection.

Date \_\_\_\_\_ Signed \_\_\_\_\_ (Authorized Inspector) Commissions \_\_\_\_\_ (37) [Nat'l. Board (incl. endorsements), State, Province, and No.]

**38 CERTIFICATE OF FIELD ASSEMBLY COMPLIANCE**

We certify that the field assembly construction of all parts of this boiler conforms with the requirements of Section I of the ASME BOILER AND PRESSURE VESSEL CODE.

Our Certificate of Authorization no. \_\_\_\_\_ (38) to use the (A) or (S) \_\_\_\_\_ (39) symbol expires \_\_\_\_\_ (39)  
 Date \_\_\_\_\_ Signed \_\_\_\_\_ (Authorized Representative) Name \_\_\_\_\_ (Assembler)

**40 CERTIFICATE OF FIELD ASSEMBLY INSPECTION**

I, the undersigned, holding a valid commission issued by the National Board of Boiler and Pressure Vessel Inspectors and/or the state or province of \_\_\_\_\_ (34) and employed by \_\_\_\_\_  
 have compared statements in this Manufacturer's Data Report with the described boiler and state that the parts referred to as data items \_\_\_\_\_ (41), not included in the certificate of shop inspection, have been inspected by me and that, to the best of my knowledge and belief, the manufacturer and/or the assembler has constructed and assembled this boiler in accordance with the applicable sections of the ASME BOILER AND PRESSURE VESSEL CODE. The described boiler was inspected and subjected to a hydrostatic test of \_\_\_\_\_ (39).

By signing this certificate, neither the inspector nor his employer makes any warranty, expressed or implied, concerning the boiler described in this Manufacturer's Data Report. Furthermore, neither the inspector nor his employer shall be liable in any manner for any personal injury or property damage or a loss of any kind arising from or connected with this inspection.

Date \_\_\_\_\_ Signed \_\_\_\_\_ (Authorized Inspector) Commissions \_\_\_\_\_ (37) [Nat'l. Board (incl. endorsements), State, Province, and No.]

**A-351 GUIDE FOR COMPLETING MANUFACTURER'S DATA REPORT, FORM P-2 (See PG-112.2.1)****(10)**

**Any quantity to which units apply shall be entered on the Manufacturer's Data Report with the chosen units.**

- ① Name and address of Manufacturer, i.e., maker of all components not covered by Partial Data Reports.
- ② Name and address of purchaser and/or owner.
- ③ Name and address of location where boiler is to be installed. If not known, so indicate (e.g., "Not known — built for stock").
- ④ Show type of boiler documented by this Data Report.
- ⑤ Identification of boiler by applicable numbers. If intended for installation in Canada, indicate the Canadian Design Registration Number and drawing number. To be shown on all pages of Form P-2.
- ⑥ Year in which fabrication was completed in shop.
- ⑦ Date (year) of Section I Edition under which boiler was constructed.
- ⑧ Issue date of most recent Addenda (if applicable) to Section I under which boiler was constructed (e.g., "1990").
- ⑨ To be completed when one or more components comprising the boiler are furnished by others and certified by Partial Data Report(s), Form P-4.
- ⑩ Show quantity and inside dimensions. If more than two shells or drums are used, enter data in Line 14.
- ⑪ Show the complete ASME Material Specification No. and Grade as listed in the appropriate stress allowance table in the Appendix of Section I (e.g., "SA-285-B"). Exception: A specification number for a material not identical to an ASME Specification may be shown *only* if such material meets the criteria in the Foreword of this Section. When material is accepted through a Code Case, the applicable Case number shall be shown.
- ⑫ Indicate type of joint(s).
- ⑬ Show joint efficiency for welded joints.
- ⑭ Same as ⑫ above.
- ⑮ Show number of furnaces in boiler.
- ⑯ For cylindrical furnaces of the Adamson, ring reinforced, and combined types, show length of each section and total length. For other types, show total length only.
- ⑰ For stayed (firebox) type furnace, also complete Line 12.
- ⑱ If threaded, show diameter at root of thread.
- ⑲ Minimum cross-sectional area after deducting for telltale hole.
- ⑳ Maximum allowable working pressure for the stayed area calculated according to the rules contained in Part PFT.
- ㉑ Type of stay or brace, e.g., diagonal, girder, through, etc.
- ㉒ Deleted.
- ㉓ See applicable paragraphs and figures in Part PFT.
- ㉔ List parts not covered elsewhere on the Data Report. If insufficient space, attach a supplementary sheet (Form P-6).
- ㉕ Tabulate data for parts listed on Line 14.
- ㉖ Show data for main, auxiliary steam outlets, and feedline connections only. Does not apply to small openings for water columns, controls, vents, drains, instrumentation, or to openings for connections internal to the boiler such as risers, downtakes, or downcomers.
- ㉗ Maximum allowable working pressure established in accordance with PG-21.
- ㉘ Show Section I paragraph that applies to the weakest part of the boiler as established by calculation or deformation test.
- ㉙ Boiler heating surface calculated in accordance with PG-101.
- ㉚ Hydrostatic pressure applied in accordance with PG-99 and witnessed by the Authorized Inspector.
- ㉛ To be completed and signed by an authorized representative of the Manufacturer.
- ㉜ Show Manufacturer's ASME Certificate of Authorization number, kind of symbol, and date of expiration of said authorization.
- ㉝ This certificate to be completed by the Authorized Inspection Agency representative who performs the in-shop inspection.

2010 SECTION I

- ③④ To determine what goes in the space, you should be guided by the following:  
*National Board Stamped Boilers and Pressure Vessels* (see Form P-2 Line 4)  
After "and/or State or Province" in the certification blocks—
- If the Inspector has a valid commission for the state or province where the Manufacturer's shop is located, insert the name of that state or province. If the Manufacturer is located in a non-Code state or province, insert the name of the state or province where the Inspector took his original examination to obtain his National Board Commission, provided he still has a valid commission for that state or province. Otherwise, if no valid commission, show the name of the state or province where he has a valid commission authorizing him to make the shop inspection.
- Boilers and Pressure Vessels Not Stamped National Board*  
Follow the above procedure. However, in this case do not list any National Board Commission number after the Inspector's signature at the bottom of the block.
- ③⑤ Indicate in this space the data items covered on Form P-2 on Lines 6 through 20.
- ③⑥ Indicate by Line numbers those items furnished by other and for which Partial Data Reports (Form P-4) have been examined.
- ③⑦ The Inspector's National Board commission number must be shown when the boiler is stamped National Board; otherwise show only his state or province commission number. (See ③④ above.)
- ③⑧ To be completed when applicable, and signed by an authorized representative of the organization responsible for field assembly of the boiler.
- ③⑨ Show assembler's ASME Certificate of Authorization number, kind of symbol, and date of expiration of said authorization.
- ④① This certificate to be completed by the Authorized Inspection Agency representative who performs the field assembly inspection.
- ④② Show page number and total number of pages of Form P-2.



2010 SECTION 1

(10)

**FORM P-2A MANUFACTURER'S DATA REPORT FOR ALL TYPES OF ELECTRIC BOILERS  
As Required by the Provisions of the ASME Code Rules, Section I**

PART I — To Be Completed by the Manufacturer of the Boiler Pressure Vessel

1. Manufactured by \_\_\_\_\_ (1) \_\_\_\_\_  
(Name and address of manufacturer of boiler pressure vessel)
2. Manufactured for \_\_\_\_\_ (2) \_\_\_\_\_  
(Name and address of purchaser)
3. Location of Installation \_\_\_\_\_ (3) \_\_\_\_\_  
(Name and address)
4. Type \_\_\_\_\_ (4) \_\_\_\_\_ Boiler No. \_\_\_\_\_ (5) \_\_\_\_\_ (5) \_\_\_\_\_  
(resistance element, electrode) (Mfr's. Serial No.) (CRN)  
\_\_\_\_\_ (5) \_\_\_\_\_ (5) \_\_\_\_\_ Year Built \_\_\_\_\_ (6) \_\_\_\_\_  
(Drawing No.) (Nat'l. Brd. No.)
5. The chemical and physical properties of all parts meet the requirements of Material Specifications of the ASME BOILER AND PRESSURE VESSEL CODE. The design, construction, and workmanship conform to Section I of the ASME BOILER AND PRESSURE VESSEL CODE \_\_\_\_\_ (7) \_\_\_\_\_, Addenda to \_\_\_\_\_ (8) \_\_\_\_\_ (if applicable), and Code Cases \_\_\_\_\_ (Year) \_\_\_\_\_  
(Date) (Numbers)

Manufacturer's Partial Data Reports properly identified and signed by Commissioned inspectors are attached for the following items of this report: \_\_\_\_\_ (9) \_\_\_\_\_

6. Shells or drums \_\_\_\_\_ (10) \_\_\_\_\_ (11) \_\_\_\_\_  
(no.) (mat'l. spec. gr.) (thickness) (diameter (ID)) (length, inside) (diameter (ID)) (length, inside)
7. Joints \_\_\_\_\_ (12) \_\_\_\_\_ (13) \_\_\_\_\_ (14) \_\_\_\_\_  
(long (seamless, welded)) (efficiency (as compared with seamless)) (girth (seamless, welded)) (no. of shell courses)
8. Heads \_\_\_\_\_  
(Mat'l. Spec. No.: thickness — flat, dished, ellipsoidal — radius of dish)
9. Other Parts. 1. \_\_\_\_\_ (15) \_\_\_\_\_ 2. \_\_\_\_\_ 3. \_\_\_\_\_  
Brief description — i.e., dome, boiler piping, etc.)  
1. \_\_\_\_\_ (16) \_\_\_\_\_ (17) \_\_\_\_\_  
2. \_\_\_\_\_  
3. \_\_\_\_\_  
(Mat'l. Spec., Gr., size, material thickness, MAWP)
10. Openings: (a) Steam \_\_\_\_\_ (18) \_\_\_\_\_ (b) Pressure Relief Valve \_\_\_\_\_  
(No., size, and type) (No., size, and type)  
(c) Blowoff \_\_\_\_\_ (No., size, and type) (d) Feed \_\_\_\_\_  
(No., size, type, and location)  
(e) Manholes: No. \_\_\_\_\_ Size \_\_\_\_\_ Location \_\_\_\_\_  
(f) Handholes: No. \_\_\_\_\_ Size \_\_\_\_\_ Location \_\_\_\_\_  
(g) Elements/Electrodes: No. \_\_\_\_\_ Size \_\_\_\_\_ Location \_\_\_\_\_
11. Boiler Supports: No. \_\_\_\_\_ Type \_\_\_\_\_  
(saddles, legs, or lugs)  
Attachment \_\_\_\_\_  
(bolted or welded)
12. MAWP \_\_\_\_\_ (19) \_\_\_\_\_ Based on \_\_\_\_\_ (20) \_\_\_\_\_  
(Code para. and/or formula)
13. Shop Hydrostatic Test \_\_\_\_\_ (22) \_\_\_\_\_ 14. Maximum Designed Steaming Capacity \_\_\_\_\_
15. Remarks \_\_\_\_\_  
\_\_\_\_\_  
\_\_\_\_\_

<b>(23) CERTIFICATE OF COMPLIANCE OF BOILER PRESSURE VESSEL</b>	
We certify the statements in Part I of this Data Report to be correct.	
Our Certificate of Authorization No. _____ (24) _____	to use the (S) or (M) _____ (24) _____
Symbol expires _____ (24) _____	
Date _____	Signed _____ Name _____
	(Authorized Representative) (Mfr. of boiler pressure vessel)

FORM P-2A

Boiler No. \_\_\_\_\_  
(Mfr's. Serial No.)      (CRN)      (Drawing No.)      (Nat'l Board No.)

**25 CERTIFICATE OF SHOP INSPECTION OF BOILER PRESSURE VESSEL**

Boiler pressure vessel made by \_\_\_\_\_ at \_\_\_\_\_  
 I, the undersigned, holding a valid commission issued by the National Board of Boiler and Pressure Vessel Inspectors and/or the State or Province  
 of \_\_\_\_\_ **26** and employed by \_\_\_\_\_  
 \_\_\_\_\_ have inspected parts of this boiler pressure vessel referred to as data items \_\_\_\_\_ **27**  
 and have examined Manufacturer's Partial Data Reports for items \_\_\_\_\_ **28**  
 and state that, to the best of my knowledge and belief, the manufacturer has constructed this boiler pressure vessel in accordance with the applicable  
 sections of the ASME BOILER AND PRESSURE VESSEL CODE.  
 By signing this certificate, neither the Inspector nor his employer makes any warranty, expressed or implied, concerning the boiler pressure vessel  
 described in this Manufacturer's Data Report. Furthermore, neither the Inspector nor his employer shall be liable in any manner for any personal  
 injury or property damage or a loss of any kind arising from or connected with this inspection.

Date \_\_\_\_\_  
 \_\_\_\_\_ Commissions \_\_\_\_\_ **29**  
(Authorized Inspector)      [Nat'l. Board (incl. endorsements), State, Province, and No.]

Part II—To Be Completed by the Manufacturer Responsible for the Completed Boiler  
 16.

Item	Piping <b>30</b>				Valves <b>31</b>			
	Size	Sch.	Spec.	Bolted, Threaded, or Welded	Size	Type	Rating	No.
(a) Steam Pipe								
(b) Feed Water					Stop			
Feed Water					Check			
(c) Blowoff								

17. Pressure Relief Valve(s) No. \_\_\_\_\_ Size \_\_\_\_\_ Set Press \_\_\_\_\_ Total Capacity \_\_\_\_\_  
 18. Heating Elements Installed: Quantity \_\_\_\_\_ Total Power Input \_\_\_\_\_  
 19. Electrodes: Quantity \_\_\_\_\_ Total Power Input \_\_\_\_\_  
 20. Hydrostatic Test of Completed Boiler \_\_\_\_\_ **22** MAWP of completed boiler \_\_\_\_\_  
 21. Serial No. Assigned by Manufacturer Responsible for Completed Boiler \_\_\_\_\_ **35**

**32 CERTIFICATE OF COMPLIANCE OF COMPLETED BOILER**

We certify that this completed boiler conforms with the requirements of Section I of the ASME BOILER AND PRESSURE VESSEL CODE.  
 Our Certificate of Authorization No. \_\_\_\_\_ **24** to use the (S), (M), or (E) \_\_\_\_\_ **24**  
 Symbol expires \_\_\_\_\_ **24**  
 Date \_\_\_\_\_ Signed \_\_\_\_\_ By \_\_\_\_\_  
(Check one)     Authorized Representative       Certified Individual      (Assembler)

**33 CERTIFICATE OF SHOP INSPECTION OF COMPLETED BOILER**

Boiler made by \_\_\_\_\_ at \_\_\_\_\_  
 I, the undersigned, holding a valid commission issued by the National Board of Boiler and Pressure Vessel Inspectors and/or the State or Province  
 of \_\_\_\_\_ **26** and employed by \_\_\_\_\_  
 \_\_\_\_\_ and have inspected the completed  
 boiler and have examined Manufacturer's Partial Data Reports for \_\_\_\_\_ **34**  
 and state that, to the best of my knowledge and belief, the Manufacturer has constructed this boiler in accordance with the applicable sections of the  
 ASME BOILER AND PRESSURE VESSEL CODE.  
 By signing this certificate, neither the Inspector nor his employer makes any warranty, expressed or implied, concerning the boiler described in this  
 Manufacturer's Data Report. Furthermore, neither the Inspector nor his employer shall be liable in any manner for any personal injury or property  
 damage or a loss of any kind arising from or connected with this inspection.

Date \_\_\_\_\_  
 \_\_\_\_\_ Commissions \_\_\_\_\_ **29**  
(Authorized Inspector)      [Nat'l. Board (incl. endorsements), State, Province, and No.]



**(10) A-351.1 GUIDE FOR COMPLETING MANUFACTURER'S DATA REPORT, FORM P-2A (See PG-112.2.1.1)**

**Any quantity to which units apply shall be entered on the Manufacturer's Data Report with the chosen units.**

- ① Name and address of Manufacturer, i.e., maker of all components not covered by Partial Data Reports. When the boiler pressure vessel is constructed by a "U" symbol holder and certified on a U-1 or U-1A Data Report, indicate on line 1 "Boiler pressure vessel constructed to Section VIII, Division 1, as permitted by Part PEB," and attach the U-1 or U-1A Data Report.
- ② Name and address of purchaser and/or owner (to be completed by the Manufacturer of the completed boiler).
- ③ Name and address of location where boiler is to be installed. If not known, so indicate (e.g., "Not known—built for stock") (to be completed by the Manufacturer of the completed boiler).
- ④ Show type of electric boiler documented by this Data Report.
- ⑤ Identification of boiler by applicable numbers. If intended for installation in Canada, indicate the Canadian Design Registration Number and drawing number. To be shown on all pages of Form P-2A.
- ⑤a The Manufacturer of the boiler pressure vessel shall apply the ASME Code symbol stamp and the National Board Number when required. It is his responsibility to complete Part I of the Data Report, and forward it with the vessel to the company who will apply the trim ("E" symbol holder). The Manufacturer responsible for the trim and completed boiler shall complete Part II of the Data Report and if the boiler is to be stamped "National Board," forward the original Data Report to the National Board for registration.
- ⑥ Year in which fabrication was completed in shop.
- ⑦ Date (year) of Section I Edition under which boiler was constructed.
- ⑧ Issue date of most recent Addenda (if applicable) to Section I under which boiler was constructed (e.g., "1990").
- ⑨ To be completed when one or more components comprising the boiler pressure vessel and furnished by others and certified by Partial Data Report(s), Form P-4.
- ⑩ Show quantity and inside dimensions in inches. If more than two shells or drums are used, enter data in Line 9.
- ⑪ Show the complete ASME Material Specification No. and Grade as listed in the appropriate stress allowance table in the Appendix of Section I (e.g., "SA-285-B"). Exception: A specification number for a material not identical to an ASME Specification may be shown *only* if such material meets the criteria in the Foreword of this Section. When material is accepted through a Code Case, the applicable Case number shall be shown.
- ⑫ Indicate type of joint(s).
- ⑬ Show joint efficiency for welded joints.
- ⑭ Same as ⑫ above.
- ⑮ List parts not covered elsewhere on the data report. If insufficient space, attach a supplementary sheet (Form P-6).
- ⑯ Tabulate data for parts listed on Line 9.
- ⑰ Same as ⑮ above.
- ⑱ Show data for main and auxiliary steam outlets only. Does not apply to small openings for water column, controls, vents, etc.
- ⑲ Maximum allowable working pressure established in accordance with PG-21.
- ⑳ Show Section I paragraph which applies to the weakest part of the boiler pressure vessel as established by calculation or deformation test.
- ㉑ Deleted.
- ㉒ Hydrostatic pressure applied in accordance with PG-99 and witnessed by the Authorized Inspector.
- ㉓ To be completed and signed by an authorized representative of the Manufacturer.
- ㉔ Show Manufacturer's ASME Certificate of Authorization number, kind of symbol, and date of expiration of said authorization.
- ㉕ This certificate to be completed by the Authorized Inspection Agency representative who performs the in-shop inspection.

## 2010 SECTION I

- ②⑥ To determine what goes in the space, you should be guided by the following:

*National Board Stamped Boilers and Pressure Vessels* (see Form P-2A Line 4)  
After "and/or State or Province" in the certification blocks—

If the Inspector has a valid commission for the state or province where the Manufacturer's shop is located, insert the name of the state or province. If the Manufacturer is located in a non-Code state or province, insert the name of the state or province where the Inspector took his original examination to obtain his National Board Commission, provided he still has a valid commission for that state or province. Otherwise, if no valid commission, show the name of the state or province where he has a valid commission authorizing him to make the shop inspection.

*Boilers and Pressure Vessels Not Stamped National Board*

Follow the above procedure. However, in this case do not list any National Board Commission number after the Inspector's signature at the bottom of the block.

- ②⑦ Indicate in this space the data items covered on Form P-2 on Lines 6 through 14.
- ②⑧ Indicate by Line numbers those items furnished by others and for which Partial Data Reports (Form P-4) have been examined.
- ②⑨ The Inspector's National Board commission number must be shown when the boiler is stamped "National Board"; otherwise show only his state or province commission number. (See ②⑥ above.)
- ③⑩ When piping is supplied with the boiler for steam, blowoff, and feedwater, complete this section. When welded piping is supplied by another stamp holder, leave blank, and provide separate Form P-4A.
- ③⑪ Complete this section when valves are furnished with the boiler.
- ③⑫ To be completed and signed by an Authorized Representative or a Certified Individual (when applicable per PEB-18.5) of the organization responsible for assembly of the boiler. Show ASME Certificate of Authorization number, kind of symbol, and date of said authorization. When the boiler pressure vessel is constructed by a "U" symbol holder and certified on a U-1 or U-1A Data Report, the "E" symbol holder shall complete Lines 1 through 4 of Part 1.
- ③⑬ This certificate to be completed by the Authorized Inspection Agency representative who performs the in-shop inspection. Leave blank where final shop inspection is not required as permitted by PEB-18.1.
- ③⑭ Indicate in this space if the welded piping is furnished by others and is covered on Form P-4A or Form P-4B.
- ③⑮ Serial number assigned by the Manufacturer responsible for the completed boiler. This may be the same number as the serial number shown on Line 4.
- ③⑯ Show page number and total number of pages of Form P-2A.
- ③⑰ To be completed and signed by a Certified Individual employed by the Assembler responsible for the field assembly of the boiler (when applicable per PEB-18.5).
- ③⑱ This certificate to be completed by the Authorized Inspection Agency representative who performs the final inspection of a field assembled electric boiler. Leave blank where final inspection of a field assembled electric boiler is not required as permitted by PEB-18.1.

(10) **FORM P-2B MANUFACTURER'S DATA REPORT FOR ELECTRIC SUPERHEATERS AND REHEATERS**  
**As Required by the Provisions of the ASME Code Rules, Section I**

1. Manufactured by \_\_\_\_\_ (1) (Name and address of manufacturer)  
 2. Manufactured for \_\_\_\_\_ (2) (Name and address of purchaser)  
 3. Location of installation \_\_\_\_\_ (3) (Name and address)  
 4. Type \_\_\_\_\_ (4) (Description of vessel (reheater, superheater)) \_\_\_\_\_ (5) (Drawing or Part No.)  
 \_\_\_\_\_ (6) (Mfr's Serial No.) \_\_\_\_\_ (7) (CRN) \_\_\_\_\_ (8) (National Board No.) \_\_\_\_\_ (9) (Year built)

5. The chemical and physical properties of all parts meet the requirements of Material Specifications of the ASME BOILER AND PRESSURE VESSEL CODE. The design, construction, and workmanship conform to Section I of the ASME BOILER AND PRESSURE VESSEL CODE \_\_\_\_\_ (10) (Year)  
 Addenda to \_\_\_\_\_ (11) (Date) (if applicable), and Code Cases \_\_\_\_\_ (12) (Numbers)

6. Shell \_\_\_\_\_ (13) (Mat'l. Spec. No., Grade) \_\_\_\_\_ (14) (Nom. Thk.) \_\_\_\_\_ (15) (Diameter OD) \_\_\_\_\_ (16) (Length OA)  
 7. Seams \_\_\_\_\_ (17) (Longitudinal (Welded, Double, Single, Butt)) \_\_\_\_\_ (18) (Girth (Welded, Double, Single, Butt)) \_\_\_\_\_ (19) (No. & Length of Shell Courses)

8. Heads (a) \_\_\_\_\_ (13) (Mat'l. Spec. No., Grade or Type) (b) \_\_\_\_\_ (13) (Mat'l. Spec. No., Grade or Type)

	Location (Top, Bottom, Ends)	Thickness	Type of Head (Flat, Dished, Ellipsoidal, Hemispherical)	Radius of Dish	Side to Pressure Convex, Concave	Circumferential Joint(s) Indicate Type
(a)	(20)	(21)	(22)	(23)	(24)	(25)
(b)						

If removable, bolts used (describe other fasteners) \_\_\_\_\_ (26) (Mat'l. Spec. No., Grade, Size, No.)

9. Nozzle, inspection and pressure relief valve openings:

Purpose	No.	Diam. or Size	Type	Material	Nom. Thk.	Location
Inlet (Feed) _____ (27)		(28)	(29)	(30)		(31)
Outlet (Steam)						
Drain						
Pressure Relief Valve(s)						
Inspection Openings (if applicable)						

10. Supports: Skirt \_\_\_\_\_ (32) (Yes or No) Lugs \_\_\_\_\_ (No.) Legs \_\_\_\_\_ (No.) Saddles \_\_\_\_\_ (No.) Other \_\_\_\_\_ (Where and How) Attached \_\_\_\_\_

11. Design Specifications MAWP \_\_\_\_\_ (33) Maximum Discharge Temperature (Heated Media) \_\_\_\_\_ (34) Hydro test \_\_\_\_\_ (35)

12. Heating elements installed: Quantity \_\_\_\_\_ (36) Total \_\_\_\_\_

13. Pressure Relief Valve(s) (if supplied) No. \_\_\_\_\_ (37) Size \_\_\_\_\_ Set Pressure \_\_\_\_\_ Total Capacity lb/hr \_\_\_\_\_

14. Remarks \_\_\_\_\_ (38)

**(39) CERTIFICATE OF SHOP COMPLIANCE**

We certify that the statements made in the data report are correct and that all details of design, material, construction, and workmanship of this boiler pressure vessel part conform to Section I of the ASME BOILER AND PRESSURE VESSEL CODE.

Our Certificate of Authorization No. \_\_\_\_\_ (40) to use the (S) \_\_\_\_\_ (40) Symbol expires \_\_\_\_\_ (40)

Date \_\_\_\_\_ Signed \_\_\_\_\_ (Authorized Representative) Name \_\_\_\_\_ (Manufacturer)

**(41) CERTIFICATE OF SHOP INSPECTION**

Boiler pressure vessel made by \_\_\_\_\_ at \_\_\_\_\_

I, the undersigned, holding a valid commission issued by the National Board of Boiler and Pressure Vessel Inspectors and/or the state or province of \_\_\_\_\_ and employed by \_\_\_\_\_ (42)

have inspected the boiler pressure vessel described in this Manufacturer's Data Report and have examined Manufacturer's Partial Data Reports for items \_\_\_\_\_ and state that, to the best of my knowledge and belief, the Manufacturer has constructed this boiler pressure vessel in accordance with Section I of the ASME BOILER AND PRESSURE VESSEL CODE. By signing this certificate, neither the Inspector nor his employer makes any warranty, expressed or implied, concerning the boiler pressure vessel described in this Manufacturer's Data Report. Furthermore, neither the Inspector nor his employer shall be liable in any manner for any personal injury or property damage or a loss of any kind arising from or connected with this inspection.

Date \_\_\_\_\_ Signed \_\_\_\_\_ (Authorized Inspector) Commissions \_\_\_\_\_ (43) [Nat'l. Board (including endorsements), State, Province, and No.]

2010 SECTION I

FORM P-2B

6  
(Mfr's. Serial No.)

7  
(CRN)

8  
(Nat'l Board No.)

44 CERTIFICATE OF FIELD ASSEMBLY COMPLIANCE

We certify that the field assembly of parts referred to as data items \_\_\_\_\_ identified on this form conform to the requirements of Section I of the ASME BOILER AND PRESSURE VESSEL CODE. Our Certificate of Authorization No. \_\_\_\_\_ 45 to use the (A) or (S) \_\_\_\_\_ 45 Symbol expires \_\_\_\_\_ 45

Date \_\_\_\_\_ Signed \_\_\_\_\_ Name \_\_\_\_\_  
(Authorized Representative) (Assembler)

46 CERTIFICATE OF FIELD ASSEMBLY INSPECTION

I, the undersigned, holding a valid commission issued by the National Board of Boiler and Pressure Vessel Inspectors and/or the state or province of \_\_\_\_\_ 42 and employed by \_\_\_\_\_ have compared statements in this Manufacturer's Data Report with the described boiler and state that the parts referred to as data items \_\_\_\_\_ 47, not included in the Certificate of Shop Inspection, have been inspected by me and that, to the best of my knowledge and belief, the Manufacturer and/or the assembler has constructed and assembled this boiler in accordance with the applicable section(s) of the ASME BOILER AND PRESSURE VESSEL CODE. The described boiler was inspected and subjected to a hydrostatic test of \_\_\_\_\_ 35. By signing this certificate, neither the Inspector nor his employer makes any warranty, expressed or implied, concerning the boiler described in this Manufacturer's Data Report. Furthermore, neither the Inspector nor his employer shall be liable in any manner for any personal injury or property damage or a loss of any kind arising from or connected with this inspection.

Date \_\_\_\_\_ Signed \_\_\_\_\_ Commissions \_\_\_\_\_ 43  
(Authorized Inspector) (Nat'l. Board (including endorsements), State, Province, and No.)

(10) **A-351.2 GUIDE FOR COMPLETING MANUFACTURER'S DATA REPORT FORM P-2B**  
**Any quantity to which units apply shall be entered on the Manufacturer's Data Report with the chosen units.**

- ① Name and address of the Manufacturer, i.e. maker of all components not covered by Supporting Data Reports.
- ② Name and address of purchaser and/or owner.
- ③ Name and address of location where boiler pressure vessel is to be installed. If not known, so indicate (e.g., "Not known").
- ④ Description or applications of boiler pressure vessel, i.e., superheater, reheater, other (specify).
- ⑤ Identification of boiler pressure vessel by applicable numbers. Indicate the organization that prepared the drawing if other than the manufacturer listed in ①.
- ⑥ Manufacturer's Serial Number. To be shown on all pages of Form P-2B.
- ⑦ Indicate the Canadian Registration Number when applicable. To be shown on all pages of Form P-2B.
- ⑧ Where applicable, the National Board number from the Manufacturer's Series of National Board numbers. To be shown on all pages of Form P-2B.
- ⑨ Year in which fabrication was completed in the shop.
- ⑩ Date (year) of Section I Edition under which the boiler pressure vessel was constructed.
- ⑪ Issue date of the Addenda (if applicable) to Section I under which the boiler pressure vessel was constructed.
- ⑫ All Code Case numbers and revisions used for construction must be listed. Where more space is needed use "Remarks" section or list on a separate page.
- ⑬ Show the complete ASME Material Specification No. and Grade as listed in the appropriate stress allowance table in Section II, Part D (e.g., "SA-285-B"). Exception: A specification number for a material not identical to an ASME Specification may be shown *only* if such material meets the criteria in the Foreword of this Section. When material is accepted through a Code Case, the applicable Case number shall be shown.
- ⑭ Thickness is the nominal thickness of the material used in the fabrication of the vessel shell.
- ⑮ Outside diameter of shell.
- ⑯ Overall length of shell.
- ⑰ Type of longitudinal joint in shell. If seamless, indicate joint type as S, and E for electric resistance welded.
- ⑱ Type of circumferential or girth joint in shell.
- ⑲ Total number of courses or sections between end closures (heads) required to make one shell. Length of the shell (courses, excluding heads, in feet and inches).
- ⑳ Location of head.
- ㉑ Specified minimum thickness of the head after forming.
- ㉒ Type of head — flat, dished, ellipsoidal, hemispherical, etc.
- ㉓ Indicate the radius (inside or outside) of the head.
- ㉔ Indicate the side of dished head to pressure.
- ㉕ Type of circumferential joint used to attach head to shell.
- ㉖ Bolts or other fasteners used to secure removable head or heads of vessel. Indicate the number, size, and material specification (grade/type).
- ㉗ Nozzles, pressure relief valve and, when applicable, inspection openings.
- ㉘ Indicate nozzles by size and inspection openings by inside dimensions.
- ㉙ Describe type as flanged, welding neck, etc.



## 2010 SECTION I

- ③⑩ Nominal thickness applies to nozzle neck thickness.
- ③⑪ "Location" applies to inspection openings only (when applicable).
- ③⑫ Describe supports, location, and method of attachment.
- ③⑬ Show maximum allowable working pressure (internal) for which vessel is constructed.
- ③⑭ Indicate maximum allowable discharge temperature of heated media.
- ③⑮ Hydrostatic pressure applied in accordance with PG-99 and witnessed by the Authorized Inspector.
- ③⑯ Indicate the total number of individual elements and total installed kilowatts.
- ③⑰ List pressure relief valve specifications if supplied with boiler pressure vessel.
- ③⑱ Any information to clarify the report should be entered here. When applicable and when it is known, indicate the National Board Number of the completed boiler.
- ③⑲ To be completed and signed by an authorized representative of the Manufacturer.
- ④① Show Manufacturer's ASME Certificate of Authorization number, kind of symbol, and date of expiration of said authorization.
- ④② This certificate to be completed by the Authorized Inspection Agency representative who performs the in-shop inspection.
- ④③ To determine what goes in the space, you should be guided by the following:  
*National Board Stamped Boilers and Pressure Vessels* (See Form P-2B Line 4)  
After "and/or State or Province" in the certification blocks —  
If the Inspector has a valid commission for the state or province where the Manufacturer's shop is located, insert the name of that state or province. If the Manufacturer is located in a non-Code state or province, insert the name of the state or province where the Inspector took his original examination to obtain his National Board Commission, provided he still has a valid commission for that state or province. Otherwise, if no valid commission, show the name of the state or province where he has a valid commission authorizing him to make the shop inspection.  
*Boilers and Pressure Vessels Not Stamped National Board*  
Follow the above procedure. However, in this case do not list any National Board Commission number after the Inspector's signature at the bottom of the block.
- ④④ The Inspector's National Board commission number must be shown when the boiler is stamped National Board; otherwise show only his state or province commission number.
- ④⑤ To be completed, when applicable, and signed by an authorized representative of the organization responsible for field assembly of the part or component into the completed boiler.
- ④⑥ Show ASME Certificate of Authorization number, kind of symbol, and date of expiration of said authorization.
- ④⑦ This certificate to be completed by the Authorized Inspection Agency representative who performs the field assembly inspection.
- ④⑧ Indicate those items inspected in the field that were not inspected in the shop. List parts not covered elsewhere on the Data Report. If insufficient space, attach a supplementary sheet (Form P-6).
- ④⑨ Show page number and total number of pages of Form P-2B.

(10)

**FORM P-3 MANUFACTURER'S DATA REPORT FOR WATERTUBE BOILERS, SUPERHEATERS, WATERWALLS, AND ECONOMIZERS**

**As Required by the Provisions of the ASME Code Rules, Section I**

**MASTER DATA REPORT YES**   
**(Check one) NO**

1. Manufactured by \_\_\_\_\_ (1)  
(Name and address of manufacturer)

2. Manufactured for \_\_\_\_\_ (2)  
(Name and address of purchaser)

3. Location of installation \_\_\_\_\_ (3)  
(Name and address)

4. Unit identification \_\_\_\_\_ (4) ID Nos. \_\_\_\_\_ (5) \_\_\_\_\_ (5) \_\_\_\_\_ (5) \_\_\_\_\_ (6)  
(Complete boiler, superheater, waterwall, economizer, etc.) (Manufacturer's Serial No.) (CRN) (Drawing No.) (Nat'l. Board No.) (Year built)

5. The chemical and physical properties of all parts meet the requirements of material specifications of the ASME BOILER AND PRESSURE VESSEL CODE. The design, construction, and workmanship conform to Section I of the ASME BOILER AND PRESSURE VESSEL CODE \_\_\_\_\_ (7)  
(Year)

Addenda to \_\_\_\_\_ (8) (if applicable), and Code Cases \_\_\_\_\_ (Numbers)  
(Date)

Supporting Manufacturer's Data Reports properly identified and signed by Commissioned Inspectors are attached for the following items of this report:  
 \_\_\_\_\_ (9)  
(Name of part, item number, manufacturer's name, and identifying stamp)

6(a). Drums

No.	Inside Diameter	Inside Length	Shell Plates			Tubesheets		Tube Hole Ligament Efficiency, %	
			Material Spec. No., Grade	Thickness	Inside Radius	Thickness	Inside Radius	Longitudinal	Circumferential
1			(10)	(11)		(12)			
2									
3									

No.	Longitudinal Joints		Circum. Joints		Heads					Hydrostatic Test
	No. & type*	Efficiency	No. & type	Efficiency	Material Spec. No., Grade	Thickness	Type**	Radius of Dish	Manholes No. Size	
1					(10)	(11)	(12)	(13)		(14)
2										
3										

\*Indicate if (1) Seamless; (2) Fusion welded.

\*\*Indicate if (1) Flat; (2) Dished; (3) Ellipsoidal; (4) Hemispherical.

6(b). Boiler Tubes

Diameter	Thickness	Material Spec. No., Grade
(15)	(16)	(10)

6(c). Headers No. \_\_\_\_\_ (17) \_\_\_\_\_ (10) \_\_\_\_\_ (11) or \_\_\_\_\_ (12)  
(Box or sinuous or round; Material spec. no.; Thickness)

Heads or Ends \_\_\_\_\_ (18) \_\_\_\_\_ (10) \_\_\_\_\_ (12) Hydro. Test \_\_\_\_\_ (14)  
(Shape; Material spec. no.; Thickness)

6(d). Staybolts \_\_\_\_\_ (10)  
(Material spec. no.; Diameter; Size telltale; Net area)

Pitch \_\_\_\_\_ Net Area \_\_\_\_\_ MAWP \_\_\_\_\_  
(Horizontal and Vertical) (Supported by one bolt)

6(e). Mud Drum \_\_\_\_\_ (19) \_\_\_\_\_ (20) \_\_\_\_\_ (10) \_\_\_\_\_ (11) or \_\_\_\_\_ (12) Heads or Ends \_\_\_\_\_ (18) \_\_\_\_\_ (10) \_\_\_\_\_ (12) Hydro. test \_\_\_\_\_ (14)  
(For sect. header boilers, State Size; Shape; Material spec. no.; Thickness) (Shape; Material spec. no.; Thickness)

7(a). Waterwall Headers

No.	Size and Shape	Material Spec. No.	Thickness	Shape	Thickness	Material Spec. No.	Hydro. Test
	(19) (20)	(10)	(11) (12)	(18)	(12)	(10)	(14)

7(b). Waterwall Tubes

No.	Size and Shape	Material Spec. No.	Thickness	Shape	Thickness	Material Spec. No.	Hydro. Test	Diameter	Thickness	Material Spec. No.
	(19) (20)	(10)	(11) (12)	(18)	(12)	(10)	(14)	(15)	(16)	(10)

8(a). Economizer Headers


8(b). Economizer Tubes


2010 SECTION I

FORM P-3

Boiler No. \_\_\_\_\_ (Mfr's. Serial No.) \_\_\_\_\_ (CRN) \_\_\_\_\_ (Drawing No.) \_\_\_\_\_ (Nat'l Board No.)

9(a). Superheater Headers				Heads or Ends			9(b). Superheater Tubes			
No.	Size and Shape	Material Spec. No.	Thickness	Shape	Thickness	Material Spec. No.	Hydro. Test	Diameter	Thickness	Material Spec. No.
	(19) (20)	(10)	(11) (12)	(18)	(12)	(10)	(14)	(15)	(16)	(10)

10(a). Other Parts (1) \_\_\_\_\_ (2) \_\_\_\_\_ (3) \_\_\_\_\_ 10(b). Tubes for Other Parts

1										
2										
3										

11. Openings (1) Steam \_\_\_\_\_ (2) Pressure Relief Valve \_\_\_\_\_ (3) Blowoff \_\_\_\_\_ (4) Feed \_\_\_\_\_  
(No., size, and type of nozzles or outlets) (No., size, and type of nozzles or outlets) (No., size, and type of nozzles or outlets) (No., size, type, and location of connections)

12.		Maximum Allowable Working Pressure	Code Par. and/or Formula on Which MAWP Is Based	Shop Hydro. Test	Heating Surface	13. Field Hydro. Test
a	Boiler					
b	Waterwall					
c	Economizer					
d	Superheater					
e	Other Parts					

14. Maximum Designed Steaming Capacity \_\_\_\_\_

15. Remarks \_\_\_\_\_

**24 CERTIFICATE OF SHOP COMPLIANCE**

We certify that the statements made in this data report are correct and that all details of design, material, construction, and workmanship of this boiler conform to Section I of the ASME BOILER AND PRESSURE VESSEL CODE.

Our Certificate of Authorization No. \_\_\_\_\_ to use the (S) \_\_\_\_\_ Symbol expires \_\_\_\_\_  
 Date \_\_\_\_\_ Signed \_\_\_\_\_ Name \_\_\_\_\_  
(Authorized Representative) (Manufacturer)

**26 CERTIFICATE OF SHOP INSPECTION**

Boiler made by \_\_\_\_\_ at \_\_\_\_\_

I, the undersigned, holding a valid commission issued by the National Board of Boiler and Pressure Vessel Inspectors and/or the state or province of \_\_\_\_\_ and employed by \_\_\_\_\_

\_\_\_\_\_ have inspected parts of this boiler referred to as data items \_\_\_\_\_  
 \_\_\_\_\_ and have examined Supporting Manufacturer's Data Reports for items \_\_\_\_\_  
 \_\_\_\_\_ and state that, to the best of my knowledge and belief, the Manufacturer has constructed this boiler in accordance with Section I of the ASME BOILER AND PRESSURE VESSEL CODE.

By signing this certificate, neither the Inspector nor his employer makes any warranty, expressed or implied, concerning the boiler described in this Manufacturer's Data Report. Furthermore, neither the Inspector nor his employer shall be liable in any manner for any personal injury or property damage or a loss of any kind arising from or connected with this inspection.

Date \_\_\_\_\_ Signed \_\_\_\_\_ Commissions \_\_\_\_\_  
(Authorized Inspector) (Nat'l. Board (incl. endorsements), State, Province, and No.)

**31 CERTIFICATE OF FIELD ASSEMBLY COMPLIANCE**

We certify that the field assembly of all parts of this boiler conforms with the requirements of Section I of the ASME BOILER AND PRESSURE VESSEL CODE.

Our Certificate of Authorization No. \_\_\_\_\_ to use the (A) or (S) \_\_\_\_\_ Symbol expires \_\_\_\_\_  
 Date \_\_\_\_\_ Signed \_\_\_\_\_ Name \_\_\_\_\_  
(Authorized Representative) (Assembler)

FORM P-3

Boiler No. \_\_\_\_\_  
(Mfr's. Serial No.) (CRN) (Drawing No.) (Nat'l Board No.)

**33 CERTIFICATE OF FIELD ASSEMBLY INSPECTION**

I, the undersigned, holding a valid commission issued by the National Board of Boiler and Pressure Vessel Inspectors and/or the state or province of \_\_\_\_\_  
(27) and employed by \_\_\_\_\_

\_\_\_\_\_ have compared statements in this Manufacturer's Data Report with the described boiler and state that the parts referred to as data items  
(34) \_\_\_\_\_, not included in the Certificate of Shop Inspection, have been inspected by me and that, to the best of my knowledge and belief, the Manufacturer and/or the assembler has constructed and assembled this boiler in accordance with the applicable sections of the ASME BOILER AND PRESSURE VESSEL CODE. The described boiler was inspected and subjected to a hydrostatic test of \_\_\_\_\_ psi. By signing this certificate, neither the Inspector nor his employer makes any warranty, expressed or implied, concerning the boiler described in this Manufacturer's Data Report. Furthermore, neither the Inspector nor his employer shall be liable in any manner for any personal injury or property damage or a loss of any kind arising from or connected with this inspection.

Date \_\_\_\_\_ Signed \_\_\_\_\_ Commissions \_\_\_\_\_  
(Authorized Inspector) (30) [Nat'l. Board (incl. endorsements), State, Province, and No.]

**A-352 GUIDE FOR COMPLETING MANUFACTURER'S DATA REPORT, FORM P-3 (See PG-112.2.2)****(10)**

**Any quantity to which units apply shall be entered on the Manufacturer's Data Report with the chosen unit.**

- ① Name and address of Manufacturer, i.e., maker of all components not covered by Supporting Data Reports.
- ② Name and address of purchaser and/or owner.
- ③ Name and address of location where boiler is to be installed. If not known, so indicate (e.g., "Not known—built for stock").
- ④ Name the unit documented by this Data Report. Note that this report may cover a complete boiler unit or separate component items (e.g., superheaters and economizers) fabricated by a manufacturer other than the Manufacturer of the boiler unit.
- ⑤ Identification of boiler by applicable numbers. If intended for installation in Canada, indicate the Canadian Design Registration Number and drawing number. To be shown on all pages of Form P-3.
- ⑥ Year in which fabrication was completed in shop.
- ⑦ Date (year) of Section I Edition under which boiler was constructed.
- ⑧ Issue date of Addenda (if applicable) to Section I under which boiler was constructed (e.g., "1990").
- ⑨ To be completed when one or more components comprising the boiler are furnished by others, and supported by Data Reports such as Forms P-3 and P-4, as appropriate. Use Form P-5 or P-6 if necessary.
- ⑩ Show the complete ASME Material Specification No. and Grade as listed in the appropriate stress allowance table in the Appendix of Section I (e.g., "SA-285-B"). Exception: A specification number for a material not identical to an ASME Specification may be shown *only* if such material meets the criteria in the Foreword of this Section. When material is accepted through a Code Case, the applicable Case number shall be shown.
- ⑪ Nominal thickness of the plate.
- ⑫ Minimum thickness after forming.
- ⑬ Radius on concave side of dish.
- ⑭ Shop hydrostatic test, if any, applied to individual part prior to test applied to the assembled boiler (see Lines 12 and 13).
- ⑮ Outside diameter
- ⑯ Minimum thickness of tubes.
- ⑰ This space for headers not covered on Lines 7(a) through 10(a). It is intended primarily for sectional headers on straight tube watertube boilers.
- ⑱ Indicate shape as flat, dished, ellipsoidal, or hemispherical.
- ⑲ Use inside dimensions for size.
- ⑳ Indicate shape as square, round, etc.
- ㉑ Show data for main, auxiliary steam outlets, and feedline connections only. Does not apply to small openings for water columns, controls, vents, drains, instrumentation, or to openings for connections internal to the boiler such as risers, downtakes, or downcomers.
- ㉒ Size is nominal pipe size.
- ㉓ Describe type as flanged, welding neck, etc.
- ㉔ To be completed and signed by an authorized representative of the Manufacturer.
- ㉕ Show Manufacturer's ASME Certificate of Authorization number, kind of symbol, and date of expiration of said authorization.
- ㉖ This certificate to be completed by the Authorized Inspection Agency representative who performs the in-shop inspection.

2010 SECTION I

- ②7 To determine what goes in the space, you should be guided by the following:

*National Board Stamped Boilers and Pressure Vessels* (see Form P-3, Line 4

After "and/or State or Province" in the certification blocks —

If the Inspector has a valid commission for the state or province where the Manufacturer's shop is located, insert the name of that state or province. If the Manufacturer is located in a non-Code state or province, insert the name of the state or province where the Inspector took his original examination to obtain his National Board Commission, provided he still has a valid commission for that state or province. Otherwise, if no valid commission, show the name of the state or province where he has a valid commission authorizing him to make the shop inspection.

*Boilers and Pressure Vessels Not Stamped National Board*

Follow the above procedure. However, in this case do not list any National Board Commission number after the Inspector's signature at the bottom of the block.

- ②8 Indicate the Data Items covered on Form P-3 on Lines 6 through 14.
- ②9 Indicate by Line numbers those items furnished by others for which Supporting Data Reports have been examined.
- ③0 The Inspector's National Board commission number must be shown when the boiler is stamped National Board; otherwise show only his state or province commission number. (See ②7 above.)
- ③1 To be completed, when applicable, and signed by an authorized representative of the organization responsible for field assembly of the boiler.
- ③2 Show ASME Certificate of Authorization number, kind of symbol, and date of expiration of said authorization.
- ③3 This certificate to be completed by the Authorized Inspection Agency representative who performs the field assembly inspection.
- ③4 Indicate those items on Lines 6 through 14 of Form P-3 inspected in the field that were not inspected in the shop.
- ③5 List parts not covered elsewhere on the Data Report. If insufficient space, attach a supplementary sheet (Form P-6).
- ③6 Show page number and total number of pages of Form P-3.

2010 SECTION I

FORM P-3A ENGINEERING-CONTRACTOR DATA REPORT FOR A COMPLETE BOILER UNIT  
As Required by the Provisions of the ASME Boiler and Pressure Vessel Code Rules, Section I

(10)

1. Engineering-Contractor \_\_\_\_\_ (1)  
(Name and address)
2. Purchaser \_\_\_\_\_ (2)  
(Name and address)
3. Type of Boiler \_\_\_\_\_ (3)
4. Boiler Number \_\_\_\_\_ (4) \_\_\_\_\_ (4) \_\_\_\_\_ (4) \_\_\_\_\_ (4) \_\_\_\_\_ (4)  
(Engineer-Contractor's Serial no.) (CRN) (Drawing No.) (National Board No.) (Year built)
5. The design of this boiler complies with Section I of the ASME BOILER AND PRESSURE VESSEL CODE \_\_\_\_\_ (5), Addenda to  
(Year)  
\_\_\_\_\_ (6) (if applicable), and Code Cases \_\_\_\_\_ (Numbers)  
(Date)
6. Design specification for complete boiler unit — list components with their pressure and temperature (use separate sheet if necessary). \_\_\_\_\_  
\_\_\_\_\_ (7)
7. Maximum Designed Steaming Capacity \_\_\_\_\_ lb/hr

**8 CERTIFICATE OF COMPLIANCE**

We certify the statements in this report to be correct.

Date \_\_\_\_\_

Signed \_\_\_\_\_  
(Authorized Representative)

Name \_\_\_\_\_  
Engineering Contractor [(S) Stamp holder]

Certificate of Authorization no. \_\_\_\_\_ Expires \_\_\_\_\_

**9 CERTIFICATION OF ENGINEERING-CONTRACTOR**

I, the undersigned, holding a valid commission issued by the National Board of Boiler and Pressure Vessel Inspectors and/or the State or Province of \_\_\_\_\_ (10) and employed by \_\_\_\_\_ of \_\_\_\_\_ have examined the design specification as described in Item 6 and state that, to the best of my knowledge and belief, the Engineering-Contractor has provided for the construction of a complete boiler unit in accordance with the applicable sections of the ASME BOILER AND PRESSURE VESSEL CODE.

By signing this certificate, neither the Inspector nor his employer makes any warranty, expressed or implied, concerning the boiler described in this Data Report. Furthermore, neither the Inspector nor his employer shall be liable in any manner for any personal injury or property damage or a loss of any kind arising from or connected with this certification.

Date \_\_\_\_\_

\_\_\_\_\_ (Authorized Inspector) Commissions \_\_\_\_\_ (11)  
[National Board (incl. endorsements), State, Province, and no.]

2010 SECTION I

FORM P-3A

Boiler No. \_\_\_\_\_  
(Mfr's. Serial No.) (CRN) (Drawing No.) (Nat'l Board No.)

⑫ CERTIFICATE OF FIELD ASSEMBLY COMPLIANCE

We certify that the field assembly construction of all parts of this boiler conforms with the requirements of Section I of the ASME BOILER AND PRESSURE VESSEL CODE.

Our Certificate of Authorization no. \_\_\_\_\_ to use the "A" or "S" \_\_\_\_\_ Symbol expires \_\_\_\_\_

Date \_\_\_\_\_ Signed \_\_\_\_\_ Name \_\_\_\_\_  
(Authorized Representative) (Assembler)

⑭ CERTIFICATE OF FIELD ASSEMBLY INSPECTION

I, the undersigned, holding a valid commission issued by the National Board of Boiler and Pressure Vessel Inspectors and/or the state or province of \_\_\_\_\_ and employed by \_\_\_\_\_

of \_\_\_\_\_ have compared statements in this Manufacturer's Data Report with the described boiler and state that the parts referred to as data items \_\_\_\_\_, not included in the Certificate of Shop Inspection, have been inspected by me and that, to the best of my knowledge and belief, the Manufacturer and/or assembler has constructed and assembled this boiler in accordance with the applicable sections of the ASME BOILER AND PRESSURE VESSEL CODE. The described boiler was inspected and subjected to a hydrostatic test of \_\_\_\_\_ psi.

By signing this certificate, neither the Inspector nor his employer makes any warranty, expressed or implied, concerning the boiler described in this Manufacturer's Data Report. Furthermore, neither the inspector nor his employer shall be liable in any manner for any personal injury or property damage or a loss of any kind arising from or connected with this inspection.

Date \_\_\_\_\_

\_\_\_\_\_ Commissions \_\_\_\_\_  
(Authorized Inspector) (National Board (incl. endorsements), State, Province, and no.)



**A-353 GUIDE FOR COMPLETING ENGINEERING-CONTRACTOR DATA REPORT FOR A COMPLETE BOILER UNIT, FORM P-3A (See PG-112.2.3) (10)**

- ① Name and address of Engineering-Contractor who has assumed the Manufacturer's Code responsibility for the design specifications of the complete boiler unit.
- ② Name and address of purchaser and/or owner.
- ③ Show type of boiler documented by this report (e.g., "Steam watertube with superheat and reheat elements").
- ④ Identification of boiler by applicable numbers and year of manufacture. To be shown on all pages of Form P-3A.
- ⑤ Date (year) of Section I Edition to which boiler was designed.
- ⑥ Issue date of Addenda (if applicable) to which boiler was designed (e.g., "1990").
- ⑦ List design specification of the boiler unit in this space (e.g. "Boiler rating—200,000 lb/hr (90000 kg/hr); Economizer and steam generating section (drums, headers, and tubes) — 1,500 psi (10 MPa), 600°F (315°C); Superheater elements (headers and tubes)—1,500 psi (10 MPa), 950°F (510°C); Reheater elements (headers and tubes) —1,000 psi (6.9 MPa), 900°F (480°C).
- ⑧ To be completed and signed by an authorized representative of the Engineering-Contractor named in ①.
- ⑨ This certificate to be completed by an Authorized Inspection Agency representative.
- ⑩ To determine what goes in the space, you should be guided by the following:  
*National Board Stamped Boilers and Pressure Vessels* (see Form P-3A Line 4)  
 After "and/or State or Province" in the certification blocks —  
 If the Inspector has a valid commission for the state or province where the Manufacturer's shop is located, insert the name of that state or province. If the Manufacturer is located in a non-Code state or province, insert the name of the state or province where the Inspector took his original examination to obtain his National Board Commission, provided he still has a valid commission for that state or province. Otherwise, if no valid commission, show the name of the state or province where he has a valid commission authorizing him to make the shop inspection.  
*Boilers and Pressure Vessels Not Stamped National Board*  
 Follow the above procedure. However, in this case do not list any National Board Commission number after the Inspector's signature at the bottom of the block.
- ⑪ The Inspector's National Board commission number should be shown when the boiler is stamped National Board; otherwise show only his state or province commission number. (See ⑩ above.)
- ⑫ To be completed, when applicable, and signed by an authorized representative of the organization responsible to field assembly of the boiler.
- ⑬ Show ASME Certificate of Authorization number, kind of symbol, and date of expiration of said authorization.
- ⑭ This certificate to be completed by the Authorized Inspection Agency representative who performs the field assembly inspection.
- ⑮ Indicate items inspected in the field that were not inspected in the shop. List items on back of Form P-3A or attach appropriate Data Form.
- ⑯ Show page number and total number of pages of Form P-3A.

(10)

**FORM P-4 MANUFACTURER'S PARTIAL DATA REPORT  
As Required by the Provisions of the ASME Code Rules, Section I**

1. Manufactured by \_\_\_\_\_ (1) \_\_\_\_\_, P-4 ID No. \_\_\_\_\_ (32)  
(Name and address of manufacturer)

2. Manufactured for \_\_\_\_\_ (2) \_\_\_\_\_  
(Name and address of purchaser)

3. Identification of Part(s) (3)

Name of Part	Quantity	Line No.	Mfr's. Identifying Numbers	Manufacturer's Drawing No.	CRN	National Board No.	Year Built
(4)		(5)	(6)	(7)		(8)	(9)

4. The chemical and physical properties of all parts meet the requirements of material specifications of the ASME BOILER AND PRESSURE VESSEL CODE. The design (as indicated on line 14, Remarks), construction, and workmanship conform to ASME Rules, Section I of ASME BOILER AND PRESSURE VESSEL CODE.

(10) \_\_\_\_\_, Addenda to \_\_\_\_\_ (11) \_\_\_\_\_ (if applicable), and Code Cases \_\_\_\_\_ (Numbers)  
(Year) (Date)

6(a). Drums

No.	Inside Diameter	Inside Length	Shell Plates			Tubesheets		Tube Hole Ligament Efficiency, %	
			Material Spec. No., Grade	Thickness	Inside Radius	Thickness	Inside Radius	Longitudinal	Circumferential
1			(12)	(13)		(13)		(33)	(33)
2									
3									
4									

No.	Longitudinal Joints		Circum. Joints		Heads					Hydrostatic Test	
	No. & Type*	Efficiency	No. & Type	Efficiency	Material Spec. No., Grade	Thickness	Type**	Radius of Dish	Manholes No. Size		
1					(12)	(13)	(14)		(15)		(16)
2											
3											
4											

\*Indicate if (1) Seamless; (2) Fusion welded.

\*\*Indicate if (1) Flat; (2) Dished; (3) Ellipsoidal; (4) Hemispherical.

6(b). Boiler Tubes

Diameter	Thickness	Material Spec. No., Grade
(17)		(12)

6(c). Headers No. \_\_\_\_\_ (19) \_\_\_\_\_ (22) \_\_\_\_\_ (12) \_\_\_\_\_ (14) or \_\_\_\_\_ (14) \_\_\_\_\_  
(Box or sinuous or round; Material spec. no.; Thickness)

Heads or Ends \_\_\_\_\_ (22) \_\_\_\_\_ (12) \_\_\_\_\_ (14) \_\_\_\_\_ (16) \_\_\_\_\_  
(Shape; Material spec. no.; Thickness) Hydro. Test

6(d). Staybolts \_\_\_\_\_ (12) \_\_\_\_\_  
(Material spec. no.; Diameter; Size telltale; Net area)

Pitch \_\_\_\_\_ (Horizontal and vertical) Net Area \_\_\_\_\_ (Supported by one bolt) MAWP \_\_\_\_\_ (33)

6(e). Mud Drum \_\_\_\_\_ (20) \_\_\_\_\_ (21) \_\_\_\_\_ (12) \_\_\_\_\_ (13) or \_\_\_\_\_ (14) \_\_\_\_\_ Heads or Ends \_\_\_\_\_ (22) \_\_\_\_\_ (12) \_\_\_\_\_ (14) \_\_\_\_\_ Hydro Test, psi \_\_\_\_\_ (16)  
(For sect. header boilers, state: Size; Shape; Mat'l. spec. no.; Thickness) (Shape; Material spec. no.; Thickness)

7(a). Waterwall Headers

No.	Size and Shape	Material Spec. No.	Thickness	Heads or Ends			Hydro. Test	Diameter	Thickness	Material Spec. No.
				Shape	Thickness	Material Spec. No.				
	(20) (21)	(12)	(13) (14)	(22)	(14)	(12)	(16)	(17)	(18)	(12)

7(b). Waterwall Tubes

2010 SECTION I

FORM P-4

P-4 ID No. 32

8(a). Economizer Headers				Heads or Ends			8(b). Economizer Tubes			
No.	Size and Shape	Material Spec. No.	Thickness	Shape	Thickness	Material Spec. No.	Hydro. Test	Diameter	Thickness	Material Spec. No.
	<span style="border: 1px solid black; border-radius: 50%; padding: 2px;">20</span> <span style="border: 1px solid black; border-radius: 50%; padding: 2px;">21</span>	<span style="border: 1px solid black; border-radius: 50%; padding: 2px;">12</span>	<span style="border: 1px solid black; border-radius: 50%; padding: 2px;">13</span> or <span style="border: 1px solid black; border-radius: 50%; padding: 2px;">14</span>	<span style="border: 1px solid black; border-radius: 50%; padding: 2px;">22</span>	<span style="border: 1px solid black; border-radius: 50%; padding: 2px;">14</span>	<span style="border: 1px solid black; border-radius: 50%; padding: 2px;">12</span>	<span style="border: 1px solid black; border-radius: 50%; padding: 2px;">16</span>	<span style="border: 1px solid black; border-radius: 50%; padding: 2px;">17</span>	<span style="border: 1px solid black; border-radius: 50%; padding: 2px;">18</span>	<span style="border: 1px solid black; border-radius: 50%; padding: 2px;">12</span>

9(a). Superheater Headers						9(b). Superheater Tubes				

10(a). Other Parts (1) <span style="border: 1px solid black; border-radius: 50%; padding: 2px;">31</span>						10(b). Tubes for Other Parts				
1										
2										
3										

11. Openings (1) Steam 23 24 25 (No., size, and type of nozzles or outlets) (2) Pressure Relief Valve 24 25 (No., size, and type of nozzles or outlets)

(3) Blowoff 24 25 (No., size, and type of nozzles or outlets) (4) Feed 24 25 (No., size, type, and location of connections)

12.		<span style="border: 1px solid black; border-radius: 50%; padding: 2px;">33</span> Maximum Allowable Working Pressure	<span style="border: 1px solid black; border-radius: 50%; padding: 2px;">35</span> Code Para. and/or Formula on Which MAWP Is Based	Hydro. Test	Heating Surface
a	Boiler				} Heating surface to be stamped on drum heads.  } This heating surface not to be used for determining minimum pressure relief valve capacity.
b	Waterwall				
c	Economizer				
d	Superheater				
e	Other Parts				

14. Remarks 26 34

27 **CERTIFICATE OF COMPLIANCE**

We certify the statements made in this Manufacturer's Partial Data Report to be correct and that all details of design (as indicated on line 14, Remarks), material, construction, and workmanship of this boiler part conform to Section I of the ASME BOILER AND PRESSURE VESSEL CODE.

Our Certificate of Authorization No. \_\_\_\_\_ to use the (PP) or (S) \_\_\_\_\_ Symbol expires \_\_\_\_\_

Date \_\_\_\_\_ Signed \_\_\_\_\_ Name \_\_\_\_\_  
(Authorized Representative) (Manufacturer)

---

28 **CERTIFICATE OF INSPECTION**

I, the undersigned, holding a valid commission issued by the National Board of Boiler and Pressure Vessel Inspectors and/or the State or Province of 29 and employed by \_\_\_\_\_

\_\_\_\_\_ have inspected the part of the boiler described in this Manufacturer's Partial Data Report on \_\_\_\_\_, and state that, to the best of my knowledge and belief, the Manufacturer has constructed this part in accordance with the applicable sections of the ASME BOILER AND PRESSURE VESSEL CODE.

By signing this certificate, neither the Inspector nor his employer makes any warranty, expressed or implied, concerning the part described in this Manufacturer's Partial Data Report. Furthermore, neither the Inspector nor his employer shall be liable in any manner for any personal injury or property damage or a loss of any kind arising from or connected with this inspection.

Date \_\_\_\_\_ Signed \_\_\_\_\_ Commissions \_\_\_\_\_  
(Authorized Inspector) [Nat'l. Board (incl. endorsements), State, Province, and No.]

**(10) A-354 GUIDE FOR COMPLETING MANUFACTURER'S PARTIAL DATA REPORT, FORM P-4 (See PG-112.2.4)**  
**Any quantity to which units apply shall be entered on the Manufacturer's Data Report with the chosen units.**

- ① Name and address of manufacturer of the part(s) reported on the Form P-4.
- ② Name and address of Manufacturer of the boiler unit with which the part(s) will be used, if known. If built for stock, so state. If for an existing unit, name of the owner or user and address of the unit at place of installation.
- ③ Identification of individual parts documented by the Form P-4.
- ④ Show name of part, e.g., "steam drum," "Superheater header," etc.
- ⑤ Show data Line number of Form P-4 for the named part.
- ⑥ Show manufacturer's serial or other numbers stamped on the named part.
- ⑦ Show the drawing number for the named part.
- ⑧ Where applicable, the National Board Number from the Manufacturer's series of National Board Numbers.
- ⑨ Year in which fabrication of the part was completed.
- ⑩ Date (year) of Section I Edition under which part was constructed.
- ⑪ Issue date of Addenda (if applicable) to Section I under which part was constructed (e.g., "1990").
- ⑫ Show the complete ASME Material Specification No. and Grade as listed in the appropriate stress allowance table in the Appendix of Section I (e.g., "SA-285-B"). Exception: A specification number for a material not identical to an ASME Specification may be shown *only* if such material meets the criteria in the Foreword of this Section. When material is accepted through a Code Case, the applicable Case Number shall be shown.
- ⑬ Nominal thickness of the plate.
- ⑭ Minimum thickness after forming.
- ⑮ Radius on concave side of dish.
- ⑯ Hydrostatic test, if any, applied to individual part prior to test applied to the assembled boiler.
- ⑰ Outside diameter.
- ⑱ Minimum thickness of tubes.
- ⑲ This space for headers not covered in Lines 7(a) through 10(a). It is intended primarily for sectional headers on straight tube watertube boilers.
- ⑳ Use inside dimensions for size.
- ㉑ Indicate shape as square, round, etc.
- ㉒ Indicate shape as flat, dished, ellipsoidal, or hemispherical.
- ㉓ Show data for main, auxiliary steam outlets, and feedline connections only. Does not apply to small openings for water columns, controls, vents, drains, instrumentation, or to openings for connections internal to the boiler such as risers, downtakes, or downcomers.
- ㉔ Size is nominal pipe size.
- ㉕ Describe type as flanged, welding neck, etc.
- ㉖ Any additional information to clarify the report should be entered here. When applicable and when it is known, indicate the National Board Number of the completed boiler.
- ㉗ To be completed and signed by an authorized representative of the part(s) manufacturer.
- ㉘ This certificate to be completed by the Authorized Inspection Agency representative who performs the inspection. If a National Board Number has been assigned to the part, the inspector signing this certificate must hold a valid National Board Commission.
- ㉙ To determine what goes in the space, you should be guided by the following:  
*National Board Stamped Boiler and Pressure Vessel Parts* (see Form P-4 Line 3)  
 After "and/or State or Province" in the certification blocks —  
 If the Inspector has a valid commission for the state or province where the manufacturer's shop is located, insert the name of that state or province. If the Manufacturer is located in a non-Code state or province, insert the name of the state or province where the Inspector took his original examination to obtain his National Board Commission, provided he still has a valid commission for that state or province. Otherwise, if no valid commission, show the name of the state or province where he has a valid commission authorizing him to make the inspection.  
*Boiler and Pressure Vessel Parts Not Stamped National Board*  
 Follow the above procedure. However, in this case, do not list any National Board Commission number after the Inspector's signature at the bottom of the block.

2010 SECTION I

- ③① The Inspector's National Board commission number should be shown if it is known that the part is to be used on a completed boiler that is to be stamped National Board or if a National Board Number has been assigned to the part; otherwise show only his state or province number (see ②⑨ above).
- ③② List parts not covered elsewhere on the Data Report. If insufficient space, attach a supplementary sheet (Form P-6).
- ③③ The Certificate Holder shall assign a unique identifying number for this form. To be shown on all pages of Form P-4.
- ③④ Indicate data, if known.
- ③⑤ Indicate extent of design function [see PG-112.2.4(c)].
- ③⑥ Show page number and total number of pages of Form P-4.

2010 SECTION I

**FORM P-4A MANUFACTURER'S DATA REPORT FOR FABRICATED PIPING**  
**As Required by the Provisions of the ASME Code Rules, Section I**

1. Manufactured by \_\_\_\_\_<sup>①</sup> Order No. \_\_\_\_\_<sup>①</sup> P-4A ID No. \_\_\_\_\_<sup>②③</sup>  
(Name and address of manufacturer)

2. Manufactured for \_\_\_\_\_<sup>②</sup> Order No. \_\_\_\_\_<sup>②</sup>  
(Name and address of purchaser)

3. Location of installation \_\_\_\_\_<sup>③</sup> Boiler Registration No. \_\_\_\_\_<sup>③a</sup>

4. Identification \_\_\_\_\_<sup>④</sup> Piping Registration No. \_\_\_\_\_<sup>④a</sup>  
(Main steam, boiler feed, blow-off, or other service piping — state which)

5. Design Conditions of Piping \_\_\_\_\_<sup>⑤</sup> \_\_\_\_\_<sup>⑤</sup> . Specified by \_\_\_\_\_<sup>⑥</sup>  
(Pressure) (Temperature) (Name of Co.)

Code Design by \_\_\_\_\_<sup>⑦</sup>

6. The chemical and physical properties of all piping meet the requirements of material specifications of the ASME BOILER AND PRESSURE VESSEL CODE. The construction and workmanship conform to Section I of the ASME BOILER AND PRESSURE VESSEL CODE \_\_\_\_\_  
(Year)

Addenda to \_\_\_\_\_<sup>⑧</sup> (if applicable), and Code Cases \_\_\_\_\_<sup>⑧</sup>  
(Date) (Numbers)

7. Description of Piping (include material identifications by ASME specification or other recognized Code designation)  
⑨  
 \_\_\_\_\_  
 \_\_\_\_\_  
 \_\_\_\_\_

8. Shop Hydrostatic Test \_\_\_\_\_<sup>⑩</sup>

9. Remarks \_\_\_\_\_

**CERTIFICATE OF SHOP COMPLIANCE**

We certify the statement in this data report to be correct and that all details of design, material, construction, and workmanship of the described piping conform to Section I of the ASME BOILER AND PRESSURE VESSEL CODE.

Our Certificate of Authorization No. \_\_\_\_\_<sup>⑫</sup> to use the (S) or (PP) Symbol \_\_\_\_\_<sup>⑫</sup> Expires \_\_\_\_\_<sup>⑫</sup>

Date \_\_\_\_\_<sup>⑪</sup> Signed \_\_\_\_\_<sup>⑪</sup> by \_\_\_\_\_<sup>⑪</sup>  
(Manufacturer or Fabricator) (Authorized Representative)

**⑬ CERTIFICATE OF SHOP INSPECTION**

I, the undersigned, holding a valid commission issued by the National Board of Boiler and Pressure Vessel Inspectors and/or the State or Province of \_\_\_\_\_<sup>⑭</sup> and employed by \_\_\_\_\_ have inspected the piping described in this Manufacturer's Data Report and state that, to the best of my knowledge and belief, the manufacturer has constructed this piping in accordance with the applicable sections of the ASME BOILER AND PRESSURE VESSEL CODE.

By signing this certificate, neither the Inspector nor his employer makes any warranty, expressed or implied, concerning the piping described in this Manufacturer's Data Report. Furthermore, neither the Inspector nor his employer shall be liable in any manner for any personal injury or property damage or a loss of any kind arising from or connected with this inspection.

Date \_\_\_\_\_

\_\_\_\_\_  
(Authorized Inspector) Commissions \_\_\_\_\_<sup>⑮</sup> [Nat'l Board (incl. endorsements), State, Province, and No.]

2010 SECTION I

FORM P-4A

P-4A ID No. (23)

10. Description of Field Fabrication

(16)

11. Field Hydrostatic Test (17)

(18) CERTIFICATE OF FIELD FABRICATION COMPLIANCE
We certify the statement in this data report to be correct and that all details of design, material, construction, and workmanship of the described piping conform to Section I of the ASME BOILER AND PRESSURE VESSEL CODE.
Our Certificate of Authorization No. (19) to use the (S) or (PP) Symbol expires (19)
Date (18) Signed (18) Name (18)
(Authorized Representative) (Fabricator)

(19) CERTIFICATE OF FIELD ASSEMBLY COMPLIANCE
We certify that the field assembly of the described piping conforms with the requirements of Section I of the ASME BOILER AND PRESSURE VESSEL CODE. Our Certificate of Authorization No. (19) to use the (A), (S), or (PP) Symbol expires (19)
Date (18) Signed (18) Name (18)
(Authorized Representative) (Assembler)

(20) CERTIFICATE OF FIELD ASSEMBLY INSPECTION
I, the undersigned, holding a valid commission issued by the National Board of Boiler and Pressure Vessel Inspectors and/or the State or Province of (14) and employed by (14)
have compared the statements in this Manufacturer's Data Report with the described piping and state that the parts referred to as Data Items (21), not included in the Certificate of Shop Inspection, have been inspected by me and that, to the best of my knowledge and belief, the manufacturer and/or assembler has constructed and assembled this piping in accordance with the applicable sections of the ASME BOILER AND PRESSURE VESSEL CODE. The described piping was inspected and subjected to a hydrostatic test of (22)
By signing this certificate, neither the Inspector nor his employer makes any warranty, expressed or implied, concerning the piping described in this Manufacturer's Data Report. Furthermore, neither the Inspector nor his employer shall be liable in any manner for any personal injury or property damage or a loss of any kind arising from or connected with this inspection.
Date
(Authorized Inspector) Commissions (15) [Nat'l Board (incl. endorsements), State, Province, and No.]

**A-354.1 GUIDE FOR COMPLETING MANUFACTURER'S DATA REPORT, FORM P-4A (See PG-112.2.5)**  
**Any quantity to which units apply shall be entered on the Manufacturer's Data Report with the chosen unit.**

- ① Name and address of manufacturer or fabricator of Code piping including order identifying number.
- ② Name and address of purchaser and/or owner and his identifying order number.
- ③ Name and address of location where piping is to be installed, if known.
- ③a Include the registration number of the boiler where the piping is to be installed, if known (e.g., National Board No., Canadian Design Registration No., or other jurisdictionally required registration numbers).
- ④ Identify each section of boiler external piping (e.g., main steam, blow-off, boiler feed), including the section's identification number, if assigned.
- ④a Include the piping registration number, if assigned (e.g., National Board No., Canadian Design Registration No., or other jurisdictionally required registration numbers).
- ⑤ Show the maximum design pressure and temperature of the section of pipe (see ASME B31.1).
- ⑥ Name of the organization that established the design pressure and temperature.
- ⑦ The organization that made the calculations and selected the pipe schedules for the working conditions.
- ⑧ Refer to the requirements of ASME B31.1.
- ⑨ Describe each section of piping, size, thickness, schedule, etc. Show the complete ASME Material Specification No. and Grade as listed in the appropriate stress allowance table in the Appendix of Section I (e.g., "SA-106"). Exception: A specification number for a material not identical to an ASME Specification may be shown *only* if such material meets the criteria in the Foreword of this Section. When material is accepted through a Code Case, the applicable Case number shall be shown. Identify the organization that will receive this piping and the identification number of the boiler.
- ⑩ Piping fabricated in a shop show test pressure if hydro-applied in the shop (see PG-99) and witnessed by Authorized Inspector.
- ⑪ The name of the piping manufacturer or fabricator, signature of authorized representative and date signed.
- ⑫ Show ASME Authorization number, kind of symbol, and date of expiration.
- ⑬ This certificate to be completed by the Authorized Inspection Agency representative who performs the in-shop inspection.
- ⑭ To determine what goes in this space, you should be guided by the following:  
*National Board Stamped Fabricated Piping* (see Form P-4A Line 4)  
 After "and/or State or Province" in the certification blocks —  
 If the Inspector has a valid commission for the state or province where the Manufacturer's shop is located, insert the name of that state or province. If the Manufacturer is located in a non-Code state or province, insert the name of the state or province where the Inspector took his original examination to obtain his National Board Commission, provided he still has a valid commission for that state or province. Otherwise, if no valid commission, show the name of the state or province where he has a valid commission authorizing him to make the shop inspection.  
*Fabricated Piping Not Stamped National Board*  
 Follow the above procedure. However, in this case do not list any National Board Commission number after the Inspector's signature at the bottom of the block.
- ⑮ The Inspector's National Board commission number must be shown when the fabricated piping is stamped National Board; otherwise, show only his/her state or province commission number (See ⑭ above).
- ⑯ Describe sections of piping to be joined, design of welded joint, procedure to be followed, number passes, preheat, postheat, etc. (see ASME B31.1).
- ⑰ Show test pressure used during field hydrostatic test (see PG-99) and witnessed by the Authorized Inspector.
- ⑱ Signed by an authorized representative of the organization responsible for the field fabrication or field assembly (assembler, manufacturer, fabricator), or both, and the date signed.
- ⑲ Show ASME authorization number, kind of symbol, and date of expiration.
- ⑳ This certificate to be completed by the Authorized Inspection Agency representative who performs the field assembly inspection.
- ㉑ Only list those piping sections and welds inspected in the field.
- ㉒ Show field hydrostatic test pressure (see PG-99).
- ㉓ The Certificate Holder shall assign a unique identifying number for this Form. To be shown on all pages of Form P-4A.
- ㉔ Show page number and total number of pages of Form P-4A.



2010 SECTION I

**FORM P-4B MANUFACTURER'S DATA REPORT FOR FIELD INSTALLED MECHANICALLY ASSEMBLED PIPING**  
**As Required by the Provisions of the ASME Code Rules, Section I**

(10)

1. Manufactured by \_\_\_\_\_<sup>①</sup>  
(Name and address of manufacturer) Order No. \_\_\_\_\_<sup>①</sup> P-4B ID No. \_\_\_\_\_<sup>⑱</sup>

2. Manufactured for \_\_\_\_\_<sup>②</sup>  
(Name and address of purchaser) Order No. \_\_\_\_\_<sup>②</sup>

3. Location of Installation \_\_\_\_\_<sup>③</sup> Boiler Registration No. \_\_\_\_\_<sup>⑳</sup>

4. Identification \_\_\_\_\_<sup>④</sup>  
(Main steam, boiler feed, blow-off, or other service piping — state which) Piping Registration No. \_\_\_\_\_<sup>㉑</sup>

5. Design Conditions of Piping \_\_\_\_\_<sup>⑤</sup> \_\_\_\_\_<sup>⑤</sup> Specified by \_\_\_\_\_<sup>⑥</sup>  
(Pressure) (Temperature) (Name of Co.)  
 Code Design by \_\_\_\_\_<sup>⑦</sup>

6. The chemical and physical properties of all piping meet the requirements of material specifications of the ASME BOILER AND PRESSURE VESSEL CODE. The construction and workmanship conform to Section I of the ASME BOILER AND PRESSURE VESSEL CODE \_\_\_\_\_, Addenda to \_\_\_\_\_<sup>⑧</sup> (if applicable), and Code Cases \_\_\_\_\_<sup>⑧</sup> \_\_\_\_\_<sup>⑧</sup> (Year)  
(Date) (Numbers)

7. Description of Piping (include material identifications by ASME specification or other recognized Code designation)  
 \_\_\_\_\_<sup>⑨</sup>  
 \_\_\_\_\_  
 \_\_\_\_\_  
 \_\_\_\_\_

8. Field Hydrostatic Test \_\_\_\_\_<sup>⑩</sup>

9. Remarks \_\_\_\_\_

**⑪ CERTIFICATE OF FIELD ASSEMBLY COMPLIANCE**

We certify that the field assembly of the described piping conforms with the requirements of Section I of the ASME BOILER AND PRESSURE VESSEL CODE. Our Certificate of Authorization No. \_\_\_\_\_<sup>⑫</sup> to use the (A), (S), or (PP) Symbol expires \_\_\_\_\_<sup>⑫</sup>

Date \_\_\_\_\_<sup>⑫</sup> Signed \_\_\_\_\_<sup>⑫</sup> Name \_\_\_\_\_<sup>⑫</sup>  
(Authorized Representative) (Assembler)

---

**⑬ CERTIFICATE OF FIELD ASSEMBLY INSPECTION**

I, the undersigned, holding a valid commission issued by the National Board of Boiler and Pressure Vessel Inspectors and/or the State or Province of \_\_\_\_\_<sup>⑭</sup> and employed by \_\_\_\_\_ have compared the statements in this Manufacturer's Data Report with the described piping and state that the parts referred to as Data Items \_\_\_\_\_<sup>⑮</sup> have been inspected by me and that, to the best of my knowledge and belief, the manufacturer and/or assembler has assembled this piping in accordance with the applicable sections of the ASME BOILER AND PRESSURE VESSEL CODE. The described piping was inspected and subjected to a test of \_\_\_\_\_<sup>⑯</sup>.

By signing this certificate, neither the Inspector nor his employer makes any warranty, expressed or implied, concerning the piping described in this Manufacturer's Data Report. Furthermore, neither the Inspector nor his employer shall be liable in any manner for any personal injury or property damage or a loss of any kind arising from or connected with this inspection.

Date \_\_\_\_\_

\_\_\_\_\_<sup>⑰</sup> Commissions \_\_\_\_\_<sup>⑰</sup>  
(Authorized Inspector) [Nat'l Board (incl. endorsements), State, Province, and No.]

(07/10)

**A-354.2 GUIDE FOR COMPLETING MANUFACTURER'S DATA REPORT, FORM P-4B (See PG-112.2.5)**  
**Any quantity to which units apply shall be entered on the Manufacturer's Data Report with the chosen units.**

- ① Name and address of manufacturer or fabricator of Code piping including order identifying number.
- ② Name and address of purchaser and/or owner and his identifying order number.
- ③ Name and address of location where piping is to be installed, if known.
- ③a Include the registration number of the boiler where the piping is to be installed, if known (e.g., National Board No., Canadian Design Registration No., or other jurisdictionally required registration numbers).
- ④ Identify each section of piping (e.g., main steam, blow-off, boiler feed), including the section's identification number, if assigned.
- ④a Include the piping registration number, if assigned (e.g., National Board No., Canadian Design Registration No., or other jurisdictionally required registration numbers).
- ⑤ Show the maximum design pressure and temperature of the section of pipe (see ASME B31.1).
- ⑥ Name of the organization that established the design pressure and temperature.
- ⑦ The organization that made the calculations and selected the pipe schedules for the working conditions.
- ⑧ Refer to the requirements of ASME B31.1.
- ⑨ Describe each section of piping, size, thickness, schedule, etc. Show the complete ASME Material Specification No. and Grade as listed in the appropriate stress allowance table in the Appendix of Section I (e.g., "SA-106"). Exception: A specification number for a material not identical to an ASME Specification may be shown *only* if such material meets the criteria in the Foreword of this Section. When material is accepted through a Code Case, the applicable Case number shall be shown.
- ⑩ Piping fabricated in field show test pressure of hydro-applied in the field (see PG-99) and witnessed by Authorized Inspector.
- ⑪ Signed by an authorized representative of the organization responsible for the field assembly and hydrostatic test.
- ⑫ Show ASME authorization number, kind of symbol, and date of expiration.
- ⑬ This certificate to be completed by the Authorized Inspection Agency representative who performs the field assembly inspection.
- ⑭ To determine what goes in this space, you should be guided by the following:  
*National Board Stamped Fabricated Piping* (see Form P-4B Line 4)  
 After "and/or State or Province" in the certification blocks —  
 If the Inspector has a valid commission for the state or province where the Manufacturer's shop is located, insert the name of that state or province. If the Manufacturer is located in a non-Code state or province, insert the name of the state or province where the Inspector took his original examination to obtain his National Board Commission, provided he still has a valid commission for that state or province. Otherwise, if no valid commission, show the name of the state or province where he has a valid commission authorizing him to make the shop inspection.  
*Fabricated Piping Not Stamped National Board*  
 Follow the above procedure. However, in this case do not list any National Board Commission number after the Inspector's signature at the bottom of the block.
- ⑮ Only list those piping sections inspected in the field.
- ⑯ Show test pressure used during field hydrostatic test (see PG-99) and witnessed by the Authorized Inspector.
- ⑰ The Inspector's National Board commission number must be shown when the fabricated piping is stamped National Board; otherwise, show only his state or province commission number.
- ⑱ The Certificate Holder shall assign a unique identifying number for this Form. To be shown on all pages of Form P-4B.

2010 SECTION I

**FORM P-5 SUMMARY DATA REPORT FOR PROCESS STEAM GENERATORS**  
**As Required by the Provisions of the ASME Code Rules, Section I**

(10)

1. Manufacturer (or Engineering-Contractor) \_\_\_\_\_ (1)  
(Name and address)
2. Purchaser \_\_\_\_\_ (2)  
(Name and address)
3. Location of Installation \_\_\_\_\_ (3)  
(Name and address)
4. Type of Boiler \_\_\_\_\_ (4)
5. Boiler No. \_\_\_\_\_  
(Mfr's. serial) (CRN) (Drawing No.) (Nat'l. Brd. No.) (Year built)
6. Data Reports Attached (5)

No.	Name of Part (6)	Part Manufacturer (7)	Identifying Numbers (8)	Data Report Form (9)
1				
2				
3				
4				
5				
6				
7				
8				
9				
10				
11				
12				
13				
14				
15				

7. Remarks \_\_\_\_\_

(10) **CERTIFICATE OF COMPLIANCE**

We certify the statements of this Summary Data Report, with the attached certified data reports as listed, provide documentation that the design, construction, materials and workmanship of the complete boiler unit to conform to the ASME Rules, Section I of the ASME BOILER AND PRESSURE VESSEL CODE \_\_\_\_\_ (11), Addenda to \_\_\_\_\_ (12) (if applicable), and Code Cases \_\_\_\_\_ (Numbers).  
(Year) (Date)

Our Certificate of Authorization No. \_\_\_\_\_ to use the (S) Symbol expires \_\_\_\_\_.

Signed \_\_\_\_\_ Name \_\_\_\_\_  
(Authorized Representative) (Mfr. or Eng. Contractor)

\_\_\_\_\_ Commissions \_\_\_\_\_  
(Authorized Inspector) [Nat'l Board (incl. endorsements), State, Province, and No.]

(10) **A-355 GUIDE FOR COMPLETING SUMMARY DATA REPORT FOR PROCESS STEAM GENERATORS, FORM P-5 (See PG-112.2.6)**

**Any quantity to which units apply shall be entered on the Manufacturer's Data Report with the chosen units.**

- ① Name and address of the Manufacturer or Engineering-Contractor, whichever is responsible for the complete boiler installation.
- ② Name and address of the purchaser and/or owner.
- ③ Name and address of location where boiler is installed.
- ④ Indicate type of boiler (e.g., "Steam Watertube — Drum Type").
- ⑤ In this section list all parts covered by the various Data Report Forms, P-2, P-3, P-3A, P-4, or P-4A. Use Supplementary sheet (Form P-6) if necessary. A copy of each Data Form shall be securely attached to Form P-5.
- ⑥ Show name of part, e.g., "Steam Drum," "Waterwall Header," etc.
- ⑦ Name of the manufacturer of the named part.
- ⑧ Show manufacturer's serial number and other numbers stamped on the named part.
- ⑨ List Manufacturer's Data Report Form number (e.g., "P-4").
- ⑩ To be completed and signed by an authorized representative of the Manufacturer or Engineering-Contractor named in ①.
- ⑪ Date (year) of Section I Edition under which boiler was constructed.
- ⑫ Issue date of most recent Addenda (if applicable) to Section I under which boiler was constructed (e.g., "Summer 1972").



(10)

**FORM P-7 MANUFACTURER'S DATA REPORT FOR PRESSURE RELIEF VALVES  
As Required by the Provisions of the ASME Code Rules, Section I**

1. Boiler manufactured by \_\_\_\_\_ <sup>①</sup> \_\_\_\_\_, P-7 ID No. \_\_\_\_\_ <sup>②</sup>  
(Name and address of manufacturer)

2. Boiler manufactured for \_\_\_\_\_ <sup>③</sup> \_\_\_\_\_  
(Name and address of purchaser)

3. Location of installation \_\_\_\_\_ <sup>④</sup> \_\_\_\_\_  
(Name and address)

4. Unit identification \_\_\_\_\_ <sup>⑤</sup> \_\_\_\_\_ ID Nos. \_\_\_\_\_ <sup>⑥</sup> \_\_\_\_\_ <sup>⑥</sup> \_\_\_\_\_ <sup>⑥</sup> \_\_\_\_\_ <sup>⑥</sup>  
(Complete boiler, superheater, waterwall, economizer, etc.) (Mfr's. Serial No.) (CRN) (Drawing No.) (Nat'l. Board No.)

5. Identification of Pressure Relief Valves

Tag No.	Service Location	Quantity	Size	Manufacturer Name	Design or Type No.	Material* Conn.**	Set Press.	Capacity
⑦	⑧	⑨	⑩	⑪	⑫	⑬	⑭	⑮

\* Material: (1) SA-216, WCB. (2) SA-217, WCB. (3) SA-217, WC9. (4) SA-182, F 22. (5) Other \_\_\_\_\_  
 \*\* Connector type: (A) Groove Weld. (B) Socket Weld. (C) Threaded. (D) Flanged.

6. Unit Relieving Capacity

Circuit	Minimum Required <sup>⑯</sup>	Furnished <sup>⑰</sup>
Boiler		
Economizer		
Superheater		
Reheater Inlet		
Reheater Outlet		
Other		

7. Determination of Unit Relieving Capacity <sup>⑱</sup>

Is PG-67.2.7 applicable to this boiler? \_\_\_\_\_ No \_\_\_\_\_ Yes

Approach taken to address capacity \_\_\_\_\_ PG-67.2.7.1 \_\_\_\_\_ PG-67.2.7.2

2010 SECTION I

FORM P-7

P-7 ID No. \_\_\_\_\_ ② \_\_\_\_\_

⑱ CERTIFICATE OF COMPLIANCE

We certify the statements of this Manufacturer's Data Report for Pressure Relief Valves to be correct and that all details conform to Section I of the ASME BOILER AND PRESSURE VESSEL CODE.

Our Certificate of Authorization No. \_\_\_\_\_ to use the (S) or (M) \_\_\_\_\_ Symbol expires \_\_\_\_\_

Date \_\_\_\_\_ Signed \_\_\_\_\_ (Authorized Representative) Name \_\_\_\_\_ (Manufacturer)

(10) **A-356 GUIDE FOR COMPLETING MANUFACTURER'S DATA REPORT FOR PRESSURE RELIEF VALVES, FORM P-7 (See PG-112.2.8)**

---

**Any quantity to which units apply shall be entered on the Manufacturer's Data Report with the chosen units.**

- ① Name and address of boiler Manufacturer, i.e., maker of all components not covered by supporting Data Reports or engineering contractor who has assumed the Manufacturer's Code responsibility for the Design Specifications of the complete boiler unit.
- ② The Certificate Holder shall assign a unique identifying number for this form. To be shown on all pages of Form P-7.
- ③ Name and address of purchaser and/or owner.
- ④ Name and address of location where boiler is to be installed. If not known, so indicate (e.g., "Not known" — built for stock).
- ⑤ Name the unit documented by this Data Report.
- ⑥ Identification of boiler by applicable numbers. If intended for installation in Canada, indicate the Canadian Design Registration Number and drawing number.  
NOTE: Items ①, ③, ④, ⑤, and ⑥ shall repeat similar information on the Master Data Report.
- ⑦ Optional — List purchaser's or owner's identification number assigned to valve (preferred) or tag number supplied by the Manufacturer.
- ⑧ Valve service location (e.g., "Boiler Drum, Superheater Outlet Header, Main Steam Piping, Cold Reheat Piping, Reheat Outlet Header, etc.").
- ⑨ Quantity of identical valves installed at valve service location.
- ⑩ Valve inlet size.
- ⑪ Valve manufacturer's name.
- ⑫ Valve manufacturer's figure number or other design-type designation number.
- ⑬ Valve body material and connection type.
- ⑭ Pressure at which pressure relief valve is set to relieve.
- ⑮ Certified relieving capacity of the pressure relief valve.
- ⑯ Minimum pressure relief valve relieving capacity, as required by PG-67 and PG-68.
- ⑰ Actual pressure relief valve relieving capacity furnished at locations indicated in accordance with PG-69.2 for saturated steam service, or in accordance with PG-68.7 for superheated steam service, or in accordance with PG-69.2.3 for supercritical steam service.
- ⑱ Show Manufacturer's ASME Certificate of Authorization number, kind of symbol, and date of expiration of said authorization.
- ⑲ Show both capacities in units of lb/hr and gpm (lpm) water; see PG-110.
- ⑳ Show page number and total number of pages of Form P-7.
- ㉑ Indicate whether PG-67.2.7 is applicable to the boiler and if it is, which approach has been taken to address the additional capacity.



**A-357 GUIDE TO DATA REPORT FORMS DISTRIBUTION**  
**Data Report Forms Required for Section I Construction**

Example	Data Report Forms Required								Remarks
	P-2	P-2A	P-3	P-3A	P-4	P-4A	P-4B	P-5	
1	X						X		P-4B is submitted to authorities separately by the stamp holder assuming responsibility for the hydrostatic test.
2	X							X	P-4A is submitted to authorities separately by piping contractor.
3			X		X	X			P-4A is submitted to authorities separately by piping contractor.
4			X			X			P-3 is also Master Data Report.
5			X			X			P-3 is also Master Data Report.
6			X	X	X	X			P-3 or P-4 is required for each manufacturer supplying major component. Assembler completes field assembly portion of P-3A. P-3A submitted by Engineering-Contractor is also Master Data Report.
7			X						P-4A is not required since all work comprising Code responsibility is done by one contractor.
8		X							Appropriate portion of P-2A is completed by manufacturer of boiler pressure vessel. Shop inspection block is completed by boiler pressure vessel manufacturer's Authorized Inspector. Electric boiler Manufacturer completes the balance of P-2A.
9	X		X	X	X	X		X	P-2, P-3, or P-4 is required for each Manufacturer supplying major component. Assembler completes field assembly portion of P-3A. Summary Data Report P-5 submitted by Engineering-Contractor. P-3A submitted by Engineering-Contractor is also Master Data Report.
10			X						P-2B is required for electric superheaters and reheaters.

- Example 1 Boiler Manufacturer supplies shop-assembled firetube boiler without piping. Piping contractor, not responsible to boiler Manufacturer, supplies and installs threaded piping.
- Example 2 Boiler Manufacturer supplies shop-assembled firetube boiler without piping. Piping contractor ("PP" stamp holder) not responsible to boiler Manufacturer, supplies and installs welded piping.
- Example 3 Boiler Manufacturer supplies shop-assembled watertube boiler. He subcontracts boiler drums to another manufacturer. External piping (welded) is subcontracted to a piping contractor.
- Example 4 Boiler Manufacturer supplies field-assembled watertube boiler. Field assembly is subcontracted to a contractor ("A" stamp holder) and external piping (welded) is subcontracted to a piping contractor ("PP" stamp holder).
- Example 5 Boiler Manufacturer supplies and erects field-assembled watertube boiler. Owner contracts with piping contractor ("PP" stamp holder) for supply and installation of piping (welded).
- Example 6 Engineering-Contractor designs boiler. Several manufacturers supply component parts, such as boiler drum, tubes, superheater, economizer. In addition, a contractor holding a "PP" stamp supplies headers to superheater manufacturer. A contractor holding an "A" stamp performs the field assembly. A piping contractor supplies and installs boiler piping (welded).
- Example 7 Boiler Manufacturer supplies and installs field-assembled boiler, including boiler piping (welded).
- Example 8 Electric boiler Manufacturer holding an "E" stamp completes assembly of piping and appurtenances (no welding). Boiler pressure vessel manufactured by "S" or "M" stamp holder.
- Example 9 Engineering-Contractor designs a process steam generator consisting of several arrays of heat exchange surface. Several manufacturers supply component parts. A contractor holding an "A" stamp performs field assembly. A piping contractor holding a "PP" stamp supplies and installs boiler piping (welded).
- Example 10 Manufacturer holding an "S" stamp designs, manufactures, and shop assembles an electric superheater or reheater as an independent "Stand alone" pressure vessel.

2010 SECTION I

**FORM P-8 MANUFACTURER'S OR ASSEMBLER'S CERTIFICATE OF CONFORMANCE FOR PRESSURE RELIEF VALVES**  
**As Required by the Provisions of the ASME Code Rules, Section I**

1. Manufactured (or assembled) by \_\_\_\_\_ (1)

2. Table of Code symbol stamped items

I.D. #	Date	Cert. #	Qty.	Type	Size	Set Pressure	Capacity	Test Fluid	Date Code	CI Name	CI Signature
(2)	(3)	(4)	(5)	(6)	(7)	(8)	(9)	(10)	(11)	(12)	(13)

3. Remarks \_\_\_\_\_ (14)  
 \_\_\_\_\_  
 \_\_\_\_\_  
 \_\_\_\_\_  
 \_\_\_\_\_  
 \_\_\_\_\_

**CERTIFICATE OF SHOP COMPLIANCE**

By the signature of the Certified Individual (CI) noted above, we certify that the statements made in this report are correct and that all details for design, material, construction, and workmanship of the pressure relief valves conform with the requirements of Section I of the ASME BOILER AND PRESSURE VESSEL CODE.

V Certificate of Authorization No. \_\_\_\_\_ (15) Expires \_\_\_\_\_ (16)

Date \_\_\_\_\_ (17) Signed \_\_\_\_\_ (18) Name \_\_\_\_\_ (18)  
(Responsible Representative) (Manufacturer or Assembler)

2010 SECTION I

A-358 GUIDE FOR THE PREPARATION OF MANUFACTURER'S OR ASSEMBLER'S  
CERTIFICATE OF CONFORMANCE FORM P-8

Any quantity to which units apply shall be entered on the Manufacturer's Data Report  
with the chosen units.

---

Note No.	Instruction
①	Name and address of Manufacturer or Assembler.
②	Pressure relief valve Manufacturer's or Assembler's unique identification such as serial number, work order number, or lot number.
③	The date of completion of production of the pressure relief valve.
④	The NB Certification Number.
⑤	The quantity of identical valves for this line item.
⑥	The Manufacturer's Design or Type Number as marked on the nameplate.
⑦	The inlet size of the pressure relief valve.
⑧	The nameplate set pressure of the pressure relief valve.
⑨	The nameplate capacity of the pressure relief valve.
⑩	The fluid used for testing the pressure relief valve.
⑪	The year built or the pressure relief valve Manufacturer's or Assembler's date code.
⑫	The name of the Certified Individual.
⑬	The signature of the Certified Individual. Required for each line item.
⑭	Include any applicable remarks (referencing the identification number) that may pertain, such as identification of a Code Case that requires marking on the device.
⑮	The number of the pressure relief valve Manufacturer's or Assembler's Certificate of Authorization.
⑯	Expiration date of the pressure relief valve Manufacturer's or Assembler's Certificate of Authorization.
⑰	Date signed by the pressure relief valve Manufacturer's or Assembler's responsible representative.
⑱	The Certificate of Shop Compliance block is to show the name of the Manufacturer or Assembler as shown on his/her ASME Code Certificate of Authorization. This should be signed in accordance with the organizational authority defined in the Quality Control System.

---

**CODES, STANDARDS, AND SPECIFICATIONS REFERENCED IN TEXT**

**A-360 REFERENCED STANDARDS**

Specific editions of standards referenced in this Section are shown in Table A-360. It is not practical to refer to a specific edition of each standard throughout the text, so edition references are centralized here. Table A-360 will be revised at intervals and reissued as needed.

**TABLE A-360**  
**CODES, STANDARDS, AND SPECIFICATIONS REFERENCED IN TEXT**

<b>ASME Standards</b>	
B1.20.1-1983 (R2001)	Pipe Threads, General Purpose (Inch)
B16.1-2005	Gray Iron Pipe Flanges and Flanged Fittings (Classes 25, 125, and 250)
B16.3-2006	Malleable Iron Threaded Fittings, Classes 150 and 300
B16.4-2006	Gray Iron Threaded Fittings, Classes 125 and 250
B16.5-2009	Pipe Flanges and Flanged Fittings
B16.9-2007	Factory-Made Wrought Butt Welding Fittings
B16.11-2005	Forged Fittings, Socket-Welding and Threaded
B16.15-2006	Cast Copper Alloy Threaded Fittings: Classes 125 and 250
B16.20-2007	Metallic Gaskets for Pipe Flanges: Ring-Joint, Spiral-Wound, and Jacketed
B16.24-2006	Cast Copper Alloy Pipe Flanges and Flanged Fittings: Class 150, 300, 600, 900, 1500, and 2500
B16.25-2007	Butt Welding Ends [Note (4)]
B16.34-2004	Valves — Flanged, Threaded, and Welding End
B16.42-1998	Ductile Iron Pipe Flanges and Flanged Fittings, Classes 150 and 300
B31.1-2007	Power Piping [Notes (1) through (3)]
B36.10M-2004	Welded and Seamless Wrought Steel Pipe
QAI-1	Qualifications for Authorized Inspection
<b>ASTM</b>	
A 126-2004	Standard Specification for Gray Iron Castings for Valves, Flanges, and Pipe Fittings
B 139-2001	Standard Specification for Phosphor-Bronze Rod, Bar, and Shapes
E 8-2004	Standard Test Methods of Tension Testing of Metallic Materials
E 125-63 (R2003)	Standard Reference Photographs for Magnetic Particle Indications on Ferrous Castings
E 186-98 (R2004)	Standard Reference Radiographs for Heavy-Walled [2 to 4½ in. (51 to 114 mm)] Steel Castings
E 280-98 (R2004)	Standard Reference Radiographs for Heavy-Walled [4½ to 12 in. (114 to 305 mm)] Steel Castings
E 446-98 (R2004)	Standard Reference Radiographs for Steel Casings up to 2 in. (51 mm) in Thickness
<b>ASME Performance Test Code</b>	
PTC 25-2001	Pressure Relief Devices
<b>ASNT Specification</b>	
SNT-TC-1A-2006	Recommended Practice for Nondestructive Testing Personnel Qualification and Certification
CP-189-2006	ASNT Standard for Qualification and Certification of Nondestructive Testing Personnel
ACCP, Revision 3, November 1997	Central Certification Program

GENERAL NOTE: The issue date shown immediately following the hyphen after the number of the standard (e.g., B1.20.1-1983) is the effective date of issue (edition) of the standard.

NOTES:

- (1) The weld end transition of Fig. PG-42.1 is also acceptable.
- (2) The use of diverter valves under Section I reheater pressure relief valves is prohibited.
- (3) Paragraph 136.4.5 (A-5) is not applicable to Boiler External Piping.
- (4) The user is cautioned that the O.D. tolerance used to calculate the values for dimension *C* shown in Table 1 and Table I-1 may be different from the tolerance listed in the applicable material specification and that machining to this dimension may reduce the wall thickness of the pipe to less than minimum wall thickness.

(10) **A-370 GUIDE TO INFORMATION APPEARING ON CERTIFICATE OF AUTHORIZATION**

ITEM	DESCRIPTION
①	Code Symbol granted by the Society, e.g., "S," power boiler; "M," miniature boiler; "E," electric boiler; "A," boiler assembly; "PP," pressure piping; and "V," boiler pressure relief valve.
②	<ol style="list-style-type: none"> <li>a. The name of the Manufacturer or Assembler.</li> <li>b. The full street address or physical location, city, state or province, country, and zip code.</li> </ol>
③	This entry describes the scope and limitations, if any, on use of the Code symbol stamps, as illustrated by the following examples.
	<b>"S" Code Symbol Stamp</b>
	<ol style="list-style-type: none"> <li>1. Manufacture and assembly of power boilers at the above location.</li> <li>2. Manufacture and assembly of power boilers at the above location and field sites controlled by the above location.</li> <li>3. Design and assembly of power boilers with fabrication subcontracted to holders of appropriate Certificates of Authorization and field assembly at field sites controlled by the above location.</li> <li>4. Design of power boilers with responsibility for compiling Code certification and for stamping the boiler. Fabrication and assembly subcontracted to holders of appropriate Certificates of Authorization.</li> <li>5. Manufacture of boiler parts at the above location.</li> <li>6. Manufacture of boiler parts at the above location and field sites controlled by the above location.</li> <li>7. Manufacture of boiler parts at field sites controlled by the above location.</li> </ol>
	<b>"A" Code Symbol Stamp</b>
	<ol style="list-style-type: none"> <li>1. Assembly of Power Boilers at field sites controlled by the above location.</li> </ol>
	<b>"PP" Code Symbol Stamp</b>
	<ol style="list-style-type: none"> <li>1. Design, fabrication, and assembly of pressure piping.</li> </ol>
	<b>"M" Code Symbol Stamp</b>
	<ol style="list-style-type: none"> <li>1. Manufacture and assembly of miniature boilers at the above location only.</li> </ol>
	<b>"E" Code Symbol Stamp</b>
	<ol style="list-style-type: none"> <li>1. Design and assembly of electric boilers at the above location only.</li> <li>2. Design of electric boilers at the above location only and assembly of electric boilers at field sites controlled by the above location.</li> </ol>
	<b>"V" Code Symbol Stamp</b>
	<ol style="list-style-type: none"> <li>1. Manufacture of pressure relief valves for power boilers at the above location only.</li> <li>2. Manufacture of pressure relief valves for power boilers at the above location only. (This authorization does not cover welding or brazing.)</li> <li>3. Assembly of pressure relief valves for power boilers at the above location. (This authorization does not cover welding or brazing.)</li> </ol>
④	The date authorization was granted by the Society to use the Code symbol stamp indicated.
⑤	The date authorization to use the Code symbol stamp will expire.
⑥	A unique Certificate number assigned by the Society.
⑦,⑧	The signatures of the current chairman and director.

FIG. A-370 SAMPLE CERTIFICATE OF AUTHORIZATION

# CERTIFICATE OF AUTHORIZATION

SYMBOL ①

This certificate accredits the named company as authorized to use the indicated symbol of the American Society of Mechanical Engineers (ASME) for the scope of activity shown below in accordance with the applicable rules of the ASME Boiler and Pressure Vessel Code. The use of the code symbol and the authority granted by this Certificate of Authorization are subject to the provisions of the agreement set forth in the application. Any construction stamped with this symbol shall have been built strictly in accordance with the provisions of the ASME Boiler and Pressure Vessel Code.

COMPANY ②

SCOPE ③

AUTHORIZED ④

EXPIRES ⑤

CERTIFICATE NUMBER ⑥

⑦

CHAIRMAN OF THE BOILER AND PRESSURE VESSEL COMMITTEE

⑧

DIRECTOR, ASME ACCREDITATION

The American Society of Mechanical Engineers



SAMPLE

**(10) SAMPLE CALCULATIONS FOR EXTERNAL PRESSURE DESIGN**

NOTE: In A-381 and A-382, referenced stress tables and external pressure charts are contained in Subparts 1 and 3, respectively, in Section II, Part D.

**A-381**

A ring reinforced furnace is to be installed in a Scotch Marine type boiler. From the following design data, determine if the furnace is satisfactory for a design pressure of 150 psi (saturated steam temperature 366°F): SA-515 Grade 70 plate  $\frac{5}{8}$  in. thick, 36 in. outside diameter, 144 in. between tubesheets, 36 in. greatest distance between adjacent stiffening rings, stiffening rings are attached by full penetration welds, and rings are  $\frac{5}{8}$  in. wide and 3 in. high. Show all calculations.

Given: ring reinforced furnace

$$D_o = 36 \text{ in.}$$

$$L_s = 36 \text{ in.}$$

$$= \text{the smaller of } 36 \text{ in. or } 60t. \quad 60t = 60(0.625) = 37.5. \text{ Therefore, } L = 36 \text{ in. (see PFT-17.6)}$$

material = SA-515, Grade 70

$$P = 150 \text{ psi}$$

$$t = 0.625 \text{ in.}$$

$$\text{saturated steam temperature} = 366^\circ\text{F}$$

Assume

saturated steam temperature = water temperature

$$H_r = 3 \text{ in.}$$

$$T \text{ design} = T \text{ water} + 100^\circ\text{F} = 366^\circ\text{F} + 100^\circ\text{F} = 466^\circ\text{F}$$

$$T_r = 0.625 \text{ in.}$$

Find: Does this design meet Section I requirements?

Use: PFT-17 and PFT-51

Solve: Per PFT-51.1.2(a), determine if  $D_o/t \geq 10$ .

Calculate  $D_o/t$

where

$$D_o = 36 \text{ in. (given)}$$

$$D_o/t = 36/0.625 = 57.6$$

$$t = 0.625 \text{ in. (given)}$$

Since  $D_o/t$  is greater than 10, follow the procedure outlined in PFT-51.1.2(a).

Step 1: Determine the ratio of  $L/D_o$  and  $D_o/t$ .

Calculate  $L/D_o$

where

$$D_o = 36 \text{ in. (given)}$$

$$L = 36 \text{ in. (given)}$$

$$L/D_o = 36/36 = 1$$

Calculate  $D_o/t$

where

$$D_o = 36 \text{ in. (given)}$$

$$D_o/t = 36/0.625 = 57.6$$

$$t = 0.625 \text{ (given)}$$

Step 2: Enter Fig. G of Section II, Part D, the value of  $L/D_o = 1$

Step 3: Enter Fig. G of Section II, Part D, the value of  $D_o/t = 57.6$

Find Factor A.

$$\text{Factor A} = 0.0031$$

Step 4: Enter Table 1A of Section II, Part D, for SA-515, Grade 70, at 466°F. The external pressure chart to be used is Fig. CS-2 of Section II, Part D. Enter Fig. CS-2 of Section II, Part D, and find the intersection of 0.0031 and 466°F.

Step 5: Find Factor B.

$$\text{Factor B} = 13,500$$

Step 6: Calculate MAWP

$$P = \frac{4(B)}{3(D_o/t)}$$

where

$$B = 13,500 \text{ (see Fig. CS-2 of Section II, Part D)}$$

$$D_o = 36 \text{ in. (given)}$$

$$t = 0.625 \text{ (given)}$$

$$P = \frac{4(13,500)}{3(36/0.625)}$$

$$P = 312.50 \text{ psi}$$

The required moment of inertia

Step 1: Calculate  $A_s$

$$A_s = (H_r)(T_r)$$



where

$$\begin{aligned} A_s &= (3)(0.625) \\ &= 1.875 \text{ in.}^2 \\ H_r &= 3 \text{ in. (given)} \\ T_r &= 0.625 \text{ in. (given)} \end{aligned}$$

Calculate  $B$

$$B = \frac{P D_o}{t + (A_s/L_s)}$$

where

$$\begin{aligned} A_s &= 1.875 \text{ in.}^2 \text{ (calculated)} \\ D_o &= 36 \text{ in. (given)} \\ L_s &= 36 \text{ in. (given)} \\ P &= 150 \text{ psi (given)} \\ t &= 0.625 \text{ in. (given)} \end{aligned}$$

$$B = \frac{(150)(36)}{0.625 + (1.875/36)}$$

$$B = 7,975 \text{ psi}$$

Steps 2

and 3: Enter Table 1A of Section II, Part D, for SA-515, Grade 70. The external pressure chart to be used is Fig. CS-2 of Section II, Part D. Enter Fig. CS-2 of Section II, Part D, and find the intersection of 7,975 psi and 466°F.

Step 4: Find Factor  $A$ .

$$\text{Factor } A = 0.00059$$

Step 5: Calculate  $I_s$

$$I_s = \frac{(D_o)^2 L_s [t + (A_s/L_s)] A}{14}$$

where

$$\begin{aligned} A &= 0.00059 \text{ (see Fig. CS-2 of Section II, Part D)} \\ A_s &= 1.875 \text{ in.}^2 \text{ (calculated)} \\ D_o &= 36 \text{ in. (given)} \\ L_s &= 36 \text{ in. (given)} \\ t &= 0.625 \text{ in. (given)} \end{aligned}$$

$$I_s = \frac{(36)^2 (36) [0.625 + (1.875/36)] (0.00059)}{14}$$

$$I_s = 1.3313 \text{ in.}^4$$

Step 6: Calculate actual moment of inertia  $I$

$$I = \frac{(T_r)(H_r^3)}{12}$$

where

$$\begin{aligned} H_r &= 3 \text{ in. (given)} \\ T_r &= 0.625 \text{ in. (given)} \end{aligned}$$

$$I = \frac{(0.625)(3)^3}{12}$$

$$I = 1.4062 \text{ in.}^4$$

Step 7: Compare  $I_s$  with  $I$ .

$I_s$  (1.3313 in.<sup>4</sup>) is less than  $I$  (1.4062 in.<sup>4</sup>); therefore, the design of this furnace does meet Section I requirements.

### A-382

A combination furnace in a boiler is made up of a Morison central section whose least inside diameter measured across the convex curve of the corrugations is 34½ in., plate thickness is 5⁄8 in. and length is 8 ft 4 in. The plain-end sections are joined by full-penetration butt-welds and measure 18½ in. from weld to head attachment. These sections are 36 in. in inside diameter and have a wall thickness of 3⁄4 in. What is the MAWP of this furnace? Material is SA-285C at 700°F.

Given: combination furnace

#### Morison Section

$$\begin{aligned} D &= \text{least } ID + 2 = 34.5 + 2 \\ &= 36.5 \text{ (see PFT-18.1)} \\ ID &= 34.5 \text{ in.} \\ L &= 100 \text{ in.} \\ t &= \frac{5}{8} \text{ in.} = 0.625 \text{ in.} \end{aligned}$$

#### Plain Section

$$\begin{aligned} D_o &= ID + 2t = 36 + 2(0.75) \\ &= 37.5 \text{ in.} \\ ID &= 36 \text{ in.} \\ L &= 18.5 \text{ in.} \\ \text{material} &= \text{SA-285C at } 700^\circ\text{F} \\ t &= 0.75 \\ 2L &= 37 \text{ in. (see PFT-19.2)} \end{aligned}$$

Find: MAWP

Use: Morison section — PFT-18 and PFT-19; plain section — PFT-14, PFT-19, and PFT-51

Solve: Morison section, per PFT-18.1

$$P = Ct/D$$

where

$$\begin{aligned} C &= 15,600 \text{ (see PFT-18.1)} \\ D &= 36.5 \text{ in. (see PFT-18.1)} \\ t &= 0.625 \text{ in. (given)} \end{aligned}$$

$$P = \frac{(15,600)(0.625)}{36.5}$$

$$P = 267 \text{ psi}$$

Plain section, per PFT-19.2. The MAWP shall be calculated in accordance with PFT-14 and PFT-51.

Per PFT-51.1.2(a), determine if  $D_o/t \geq 10$ .

Calculate  $D_o/t$

where

$$\begin{aligned} D_o &= 37.5 \text{ in. (calculated)} \\ D_o/t &= 37.5/0.75 = 50 \\ t &= 0.75 \text{ (given)} \end{aligned}$$

Since  $D_o/t$  is greater than 10, follow the procedure outlined in PFT-51.1.2(a).

Step 1: Determine the ratios  $L/D_o$  and  $D_o/t$ .

Calculate  $L/D_o$

where

$$\begin{aligned} D_o &= 37.5 \text{ in. (calculated)} \\ L &= 37 \text{ in. (see PFT-19.2)} \\ L/D_o &= 37/37.5 = 0.99 \end{aligned}$$

Calculate  $D_o/t$

where

$$\begin{aligned} D_o &= 37.5 \text{ in. (calculated)} \\ D_o/t &= 37.5/0.75 = 50 \\ t &= 0.75 \text{ (given)} \end{aligned}$$

Step 2: Enter Fig. G of Section II, Part D, the value of  $L/D_o = 0.99$

Step 3: Enter Fig. G of Section II, Part D, the value of  $D_o/t = 50$

Find Factor A.

$$\text{Factor } A = 0.0039$$

Step 4: Enter Table A1 of Section II, Part D, for SA-285C at 700°F. The external pressure chart to be used is Fig. CS-2 of Section II, Part D. Enter Fig. CS-2 of Section II, Part D, and find the intersection of 0.0039 and 700°F.

Step 5: Find Factor B.

$$\text{Factor } B = 10,500$$

Step 6: Calculate MAWP

$$P = \frac{4(B)}{3(D_o/t)}$$

where

$$\begin{aligned} B &= 10,500 \text{ (see Fig. CS-2 of Section II, Part D)} \\ D_o &= 37.5 \text{ in. (calculated)} \end{aligned}$$

$$t = 0.75 \text{ (given)}$$

$$P = \frac{4(10,500)}{3(37.5/0.75)}$$

$$P = 280 \text{ psi in plain section}$$

MAWP is 267 psi based on Morison section.

### A-383

What wall thickness of firetube in an area absorbing heat would be required to carry 500 psi if the tube is seamless SA-192, 4 in. in diameter and 15 ft long?

Given

$$\begin{aligned} D_o &= 4 \text{ in.} \\ L &= 15 \text{ ft} = 180 \text{ in.} \\ P &= 500 \text{ psi} \end{aligned}$$

Find: wall thickness of tube

Use: PFT-12, PFT-50, and PFT-51

Solve: Per PFT-51.1.2(a), determine if  $D_o/t$  is greater than 10.

Calculate  $D_o/t \geq 10$

where

$$\begin{aligned} D_o &= 4 \text{ in. (given)} \\ D_o/t &= 4/0.125 = 32 \\ t &= 0.125 \text{ in. (assumption)} \end{aligned}$$

Since  $D_o/t$  is greater than 10, follow the procedure outlined in PFT-51.1.2(a).

Step 1: Calculate  $L/D_o$

where

$$\begin{aligned} D_o &= 4 \text{ in. (given)} \\ L &= 15 \text{ ft (given)} \\ L/D_o &= 180/4 \\ &= 45 \end{aligned}$$

Calculate  $D_o/t$

where

$$\begin{aligned} D_o &= 4 \text{ in. (given)} \\ D_o/t &= 4/0.125 = 32 \\ t &= 0.125 \text{ in. (assumption)} \end{aligned}$$

Step 2: Enter Fig. G of Section II, Part D, for  $L/D_o = 45$

Step 3: Move horizontally to the line for  $D_o/t = 32$ . From this point of the intersection, move vertically downward to get Factor A.

$$\text{Factor } A = 0.0013$$

Step 4: Enter Table 1A of Section II, Part D, for SA-192 ≤ 700°F per PFT-50 and PG-27.4, Note 2. Enter Fig. CS-1 of Section II, Part D, and find intersection of 0.0013 and 700°F.

Step 5: Move horizontally to the right to find Factor  $B$ .

$$\text{Factor } B = 7,000$$

Step 6: Calculate MAWP using the following equation:

$$P_a = \frac{4B}{3(D_o/t)}$$

where

$B = 7,000$  (see Fig. CS-1 of Section II, Part D)

$D_o = 4$  in. (given)

$t = 0.125$  in. (assumption)

$$P_a = \frac{4(7,000)}{3(4/0.125)}$$

$$P_a = 292 \text{ psi}$$

Step 7: Since  $P_a$  is less than actual  $P$ , select a larger  $t$  and repeat the design procedure. Therefore, assume  $t = 0.20$  in.

Per PFT-51.1.2(a), determine if  $D_o/t$  is greater than 10.

Calculate  $D_o/t \geq 10$

where

$D_o = 4$  in. (given)

$D_o/t = 4/0.20 = 20$

$t = 0.20$  in. (assumption)

Since  $D_o/t$  is greater than 10, follow the procedure outlined in PFT-51.1.2(a).

Step 1: Calculate  $L/D_o$

where

$D_o = 4$  in. (given)

$L = 15$  ft (given)

$$\begin{aligned} L/D_o &= 180/4 \\ &= 45 \end{aligned}$$

Calculate  $D_o/t$

where

$D_o = 4$  in. (given)

$D_o/t = 4/0.20$

$= 20$

$t = 0.20$  in. (assumption)

Step 2: Enter Fig. G for  $L/D_o = 45$

Step 3: Move horizontally to the line for  $D_o/t = 20$ .

$$\text{Factor } A = 0.0028$$

Step 4: Enter Table 1A of Section II, Part D, for SA-192 ≤ 700°F per PFT-50 and PG-27.4, Note 2. Enter Fig. CS-1 of Section II, Part D, and find the intersection of 0.0028 and 700°F.

Step 5: Move horizontally to the right to find Factor  $B$ .

$$\text{Factor } B = 8,000$$

Step 6: Calculate MAWP using the following equation:

$$P = \frac{4B}{3(D_o/t)}$$

where

$B = 8,000$  (see Fig. CS-1 of Section II, Part D)

$D_o = 4$  in. (given)

$t = 0.20$  in. (assumption)

$$P_a = \frac{4(8,000)}{3(4/0.20)}$$

$$P_a = 533 \text{ psi}$$

Step 7: Since  $P_a$  is greater than  $P$ , the required thickness equals 0.25 in.

$$t = 0.20 \text{ in.}$$

## GUIDANCE FOR THE USE OF U.S. CUSTOMARY AND SI UNITS IN THE ASME BOILER AND PRESSURE VESSEL CODE

(10)

### A-391 USE OF UNITS IN EQUATIONS

The equations in this Nonmandatory Appendix are suitable for use with either the U.S. Customary or the SI units provided in Mandatory Appendix II, or with the units provided in the nomenclature associated with that equation. It is the responsibility of the individual and organization performing the calculations to ensure that appropriate units are used. Either U.S. Customary or SI units may be used as a consistent set. When necessary to convert from one system of units to another, the units shall be converted to at least three significant figures for use in calculations and other aspects of construction.

### A-392 GUIDELINES USED TO DEVELOP SI EQUIVALENTS

The following guidelines were used to develop SI equivalents:

(a) SI units are placed in parentheses after the U.S. Customary units in the text.

(b) In general, separate SI tables are provided if interpolation is expected. The table designation (e.g., table number) is the same for both the U.S. Customary and SI tables, with the addition of suffix “M” to the designator for the SI table, if a separate table is provided. In the text, references to a table use only the primary table number (i.e., without the “M”). For some small tables, where interpolation is not required, SI units are placed in parentheses after the U.S. Customary unit.

(c) Separate SI versions of graphical information (charts) are provided, except that if both axes are dimensionless, a single figure (chart) is used.

(d) In most cases, conversions of units in the text were done using hard SI conversion practices, with some soft conversions on a case-by-case basis, as appropriate. This was implemented by rounding the SI values to the number of significant figures of implied precision in the existing U.S. Customary units. For example, 3,000 psi has an implied precision of one significant figure. Therefore, the conversion to SI units would typically be to 20 000 kPa. This is a difference of about 3% from the “exact” or soft conversion of 20 684.27 kPa. However, the precision of the conversion was determined by the Committee on a case-by-case basis. More significant digits were included in the SI equivalent if there was any question. The values of allowable stress in Section II, Part D generally include three significant figures.

(e) Minimum thickness and radius values that are expressed in fractions of an inch were generally converted according to the following table:

Fraction, in.	Proposed SI Conversion, mm	Difference, %
1/32	0.8	-0.8
3/64	1.2	-0.8
1/16	1.5	5.5
3/32	2.5	-5.0
1/8	3	5.5
5/32	4	-0.8
3/16	5	-5.0
7/32	5.5	1.0
1/4	6	5.5
5/16	8	-0.8
3/8	10	-5.0
7/16	11	1.0
1/2	13	-2.4
9/16	14	2.0
5/8	16	-0.8
11/16	17	2.6
3/4	19	0.3
7/8	22	1.0
1	25	1.6

(f) For nominal sizes that are in even increments of inches, even multiples of 25 mm were generally used.

Intermediate values were interpolated rather than converting and rounding to the nearest mm. See examples in the following table: [Note that this table does not apply to nominal pipe sizes (NPS), which are covered below.]

Size, in.	Size, mm
1	25
1 1/8	29
1 1/4	32
1 1/2	38
2	50
2 1/4	57
2 1/2	64
3	75
3 1/2	89
4	100
4 1/2	114
5	125
6	150
8	200
12	300
18	450
20	500
24	600
36	900
40	1 000
54	1 350
60	1 500
72	1 800

Size or Length, ft	Size or Length, m
3	1
5	1.5
200	60

(g) For nominal pipe sizes, the following relationships were used:

U.S. Customary Practice	SI Practice	U.S. Customary Practice	SI Practice
NPS 1/8	DN 6	NPS 20	DN 500
NPS 1/4	DN 8	NPS 22	DN 550
NPS 3/8	DN 10	NPS 24	DN 600
NPS 1/2	DN 15	NPS 26	DN 650
NPS 3/4	DN 20	NPS 28	DN 700
NPS 1	DN 25	NPS 30	DN 750
NPS 1 1/4	DN 32	NPS 32	DN 800
NPS 1 1/2	DN 40	NPS 34	DN 850
NPS 2	DN 50	NPS 36	DN 900
NPS 2 1/2	DN 65	NPS 38	DN 950
NPS 3	DN 80	NPS 40	DN 1000
NPS 3 1/2	DN 90	NPS 42	DN 1050
NPS 4	DN 100	NPS 44	DN 1100
NPS 5	DN 125	NPS 46	DN 1150
NPS 6	DN 150	NPS 48	DN 1200
NPS 8	DN 200	NPS 50	DN 1250
NPS 10	DN 250	NPS 52	DN 1300
NPS 12	DN 300	NPS 54	DN 1350
NPS 14	DN 350	NPS 56	DN 1400
NPS 16	DN 400	NPS 58	DN 1450
NPS 18	DN 450	NPS 60	DN 1500

(h) Areas in square inches (in.<sup>2</sup>) were converted to square mm (mm<sup>2</sup>) and areas in square feet (ft<sup>2</sup>) were converted to square meters (m<sup>2</sup>). See examples in the following table:

Area (U.S. Customary)	Area (SI)
1 in. <sup>2</sup>	650 mm <sup>2</sup>
6 in. <sup>2</sup>	4 000 mm <sup>2</sup>
10 in. <sup>2</sup>	6 500 mm <sup>2</sup>
5 ft <sup>2</sup>	0.5 m <sup>2</sup>

(i) Volumes in cubic inches (in.<sup>3</sup>) were converted to cubic mm (mm<sup>3</sup>) and volumes in cubic feet (ft<sup>3</sup>) were converted to cubic meters (m<sup>3</sup>). See examples in the following table:

Volume (U.S. Customary)	Volume (SI)
1 in. <sup>3</sup>	16 000 mm <sup>3</sup>
6 in. <sup>3</sup>	100 000 mm <sup>3</sup>
10 in. <sup>3</sup>	160 000 mm <sup>3</sup>
5 ft <sup>3</sup>	0.14 m <sup>3</sup>

(j) Although the pressure should always be in MPa for calculations, there are cases where other units are used in the text. For example, kPa is used for small pressures. Also, rounding was to one significant figure (two at the most) in most cases. See examples in the following table: (Note that 14.7 psi converts to 101 kPa, while 15 psi converts to 100 kPa. While this may seem at first glance to be an anomaly, it is consistent with the rounding philosophy.)

Pressure (U.S. Customary)	Pressure (SI)
0.5 psi	3 kPa
2 psi	15 kPa
3 psi	20 kPa
10 psi	70 kPa
14.7 psi	101 kPa
15 psi	100 kPa
30 psi	200 kPa
50 psi	350 kPa
100 psi	700 kPa
150 psi	1 MPa
200 psi	1.5 MPa
250 psi	1.7 MPa
300 psi	2 MPa
350 psi	2.5 MPa
400 psi	3 MPa
500 psi	3.5 MPa
600 psi	4 MPa
1,200 psi	8 MPa
1,500 psi	10 MPa

(k) Material properties that are expressed in psi or ksi (e.g., allowable stress, yield and tensile strength, elastic modulus) were generally converted to MPa to three significant figures. See example in the following table:

Strength (U.S. Customary)	Strength (SI)
95,000 psi	655 MPa

(l) In most cases, temperatures (e.g., for PWHT) were rounded to the nearest 5°C. Depending on the implied precision of the temperature, some were rounded to the nearest 1°C or 10°C or even 25°C. Temperatures colder than 0°F (negative values) were generally rounded to the nearest 1°C. The examples in the table below were created by rounding to the nearest 5°C, with one exception

Temperature, °F	Temperature, °C
70	20
100	38
120	50
150	65
200	95
250	120
300	150
350	175
400	205
450	230
500	260
550	290
600	315
650	345
700	370
750	400
800	425
850	455
900	480
925	495
950	510
1,000	540
1,050	565
1,100	595
1,150	620
1,200	650
1,250	675
1,800	980
1,900	1 040
2,000	1 095
2,050	1 120

### A-393 SOFT CONVERSION FACTORS

The following table of “soft” conversion factors is provided for convenience. Multiply the U.S. Customary value by the factor given to obtain the SI value. Similarly, divide the SI value by the factor given to obtain the U.S. Customary value. In most cases it is appropriate to round the answer to three significant figures.

2010 SECTION I

U.S. Customary	SI	Factor	Notes
in.	mm	25.4	...
ft	m	0.3048	...
in. <sup>2</sup>	mm <sup>2</sup>	645.16	...
ft <sup>2</sup>	m <sup>2</sup>	0.09290304	...
in. <sup>3</sup>	mm <sup>3</sup>	16,387.064	...
ft <sup>3</sup>	m <sup>3</sup>	0.02831685	...
U.S. gal	m <sup>3</sup>	0.003785412	...
U.S. gal	liters	3.785412	...
psi	MPa (N/mm <sup>2</sup> )	0.0068948	Used exclusively in equations
psi	kPa	6.894757	Used only in text and for nameplate
psi	bar	0.06894757	...
ft-lb	J	1.355818	...
°F	°C	$\frac{5}{9} \times (°F - 32)$	Not for temperature difference
°F	°C	$\frac{5}{9}$	For temperature differences only
R	K	$\frac{5}{9}$	Absolute temperature
lbm	kg	0.4535924	...
lbf	N	4.448222	...
in.-lb	N-mm	112.98484	Use exclusively in equations
ft-lb	N-m	1.3558181	Use only in text
ksi $\sqrt{\text{in.}}$	MPa $\sqrt{\text{m}}$	1.0988434	...
Btu/hr	W	0.2930711	Use for boiler rating and heat transfer
lb/ft <sup>3</sup>	kg/m <sup>3</sup>	16.018463	...

# NONMANDATORY APPENDIX B

## POSITIVE MATERIAL IDENTIFICATION PRACTICE

### B-1 INTRODUCTION

As part of his material control system, a Manufacturer may determine that a situation warrants positive material identification for a specific material or item. This may include material used by the Manufacturer for pressure retaining boiler parts and their associated support materials and may also include components covered by PG-11 or by ASME standards listed in Table A-360. This Nonmandatory Appendix is provided as a guide for use by the Manufacturer in developing a Positive Material Identification Practice (PMIP) that may be applied to address the material or item of concern.

### B-2 DEFINITIONS

Some commonly used terms relating to this practice are defined below.

*calibration check*: a test carried out on a known standard alloy to verify the performance of the instrument.

*certified mill or material test report (CMTR)*: a document that permits each component to be identified according to the original heat of material from which it was produced.

*inspection lot*: with the exception of bolting, an inspection lot is a group of components from the same heat number or lot from which a sample is drawn. For bolting, a lot is a group of similar components in terms of alloy type and size.

*100% positive material identification*: each individual component and weld is tested.

*OES*: optical emission spectroscopy.

*positive material identification (PMI)*: a procedure used to ensure that specified metallic alloy materials are

- (a) properly identified as to alloy type
- (b) identified in accordance with the Manufacturer's written practice
- (c) installed as intended.

*representative sampling*: PMI testing of a sample, which consists of one or more pieces (components), selected at random from an inspection lot, that will be examined to determine acceptability of the inspection lot.

*XRF*: x-ray fluorescence.

### B-3 SCOPE

This PMIP may be applied to metals during the supply, fabrication, and erection of these materials. This practice is not intended for PMI of material already in service, although many of the procedures and concepts are equally applicable.

This PMIP covers the procedures and methods to ensure that the nominal chemical content of specific key elements in metallic alloys is in accordance with purchase specifications, and that such materials are properly analyzed and identified to indicate the alloy.

The user is cautioned that this PMIP does not ensure that the materials have been processed correctly and have the appropriate mechanical properties for the intended service.

### B-4 BASIS

The primary basis for this PMIP is the application of portable X-ray fluorescence (XRF). The state-of-the-art with these instruments is continually improving but XRF instruments typically are incapable of quantitative measurements for elements with an atomic number lower than 22 (titanium). In particular, the XRF method is incapable of measuring carbon (atomic number 6), which is a critical element in many of the alloys for which PMI is desired. When the measurement of carbon or other elements with an atomic number less than 22 is desired, the user may also apply optical emission spectrometers (OES). OES instruments produce an electrical arc between the instrument and work piece so the examined area shall be selected to minimize damage to critical surfaces.

This PMIP does not provide absolute confirmation of all mandatory elements in the materials specification in the same sense as the more sophisticated laboratory methods such as wet chemistry, optical emission spectroscopy, energy dispersive spectroscopy, combustion/infrared spectroscopy, atomic absorption spectroscopy, etc. Nevertheless, when coupled with other documentation such as certified mill or material test report (CMTR), a Certificate of Compliance (COC), or material marking, this PMIP can establish a high degree of confidence that the material matches what was intended.

TABLE B-1  
IDENTIFICATION ELEMENTS

Materials	Identification Elements	Materials	Identification Elements
Carbon steel	C [Note (1)], Si [Note (1)], Mo, Cu < 0.43, Ni < 0.43, Cr < 0.34, Mo < 0.13, (V + Cb) < 0.07, (Cr + Mo) < 0.32, (Cu + Ni + Cr + Mo) < 1.00	Alloy 20Cb-3	C [Note (1)], Cr, Ni, Mo, Cb, Cu
C- $\frac{1}{2}$ Mo	Mo	Brass, admiralty	Sn
1 Cr- $\frac{1}{2}$ Mo	Cr, Mo	Brass, naval	Sn
$\frac{1}{4}$ Cr- $\frac{1}{2}$ Mo	Cr, Mo	Brass, aluminum	Zn, Al
$\frac{2}{4}$ Cr-Mo	Cr, Mo	90/10 Cu/Ni	Cu, Ni
5 Cr- $\frac{1}{2}$ Mo	Cr, Mo	70/30 Cu/Ni	Cu/Ni
7 Cr- $\frac{1}{2}$ Mo	Cr, Mo	Alloy 400	Ni, Cu
9 Cr-I Mo	Cr, Mo	AL-6XN	Cr, Ni, Mo
9Cr-1Mo-0.2V	Cr, Mo, V	Titanium Grades 1 and 2	Ti
12 Cr (Type 405/410SS)	C [Note (1)], Cr	Grade 12 Ti	Ti, Mo [Note (1)], Ni [Note (1)]
12 Cr (Type 410)	Cr	Grade 16 Ti	Ti, Pd [Note (1)]
17 Cr (Type 430)	Cr	Alloy 182	Ni, Cr
25 Cr (Type 446)	Cr	Alloy 600	Ni, Cr
304	Cr, Ni	Alloy 625	Ni, Cr, Mo, Cb, Ti
304L	C [Note (1)], Cr, Ni	Alloy 800	Ni, Cr, Al, Ti
304H	C [Note (1)], Cr, Ni	Alloy 825	Ni, Cr, Mo, Cu, Ti
309L	C [Note (1)], Cr, Ni	AISI 4140	C [Note (1)], Cr
309CbL	C [Note (1)], Cr, Ni, Cb	AISI 4340	C [Note (1)], Cr, Ni
310	Cr, Ni	Alloy 2205	Cr, Ni, Mo
316/317	Cr, Ni, Mo	Alloy 2507	Cr, Ni, Mo
316L/317L	C [Note (1)], Cr, Ni, Mo	3.5Ni, 5Ni, and 9Ni	Ni
321	Cr, Ni, Ti	Hastelloy C276	Ni, Cr, Mo, W
347	Cr, Ni, Cb	...	...

GENERAL NOTE: Percentages shall be within the limits specified in the appropriate standards/specifications.

NOTE:

(1) See B-7 for options related to these minor alloying elements.

## B-5 MATERIALS

The materials that are covered in this PMIP include low alloy steels, high alloy steels, and nickel based alloys for which direct elemental measurement of key elements is possible.

Carbon steel may be confirmed using XRF by direct measurement of manganese plus direct measurement of certain residual elements with confirmed low levels consistent with carbon steel. Alternatively, OES may be applied to carbon steels in order to directly measure elements such as carbon and silicon.

## B-6 WRITTEN PRACTICE

The PMI program shall be covered in a written practice. The written practice shall define the method of testing, acceptance criteria, sampling plan, documentation requirements, material identification requirements, instrument to be used, frequency of instrument calibration and instrument calibration checks, personnel qualification requirements, and control of rejected material.

## B-7 METHOD

The practice shall define the type of test to be performed; XRF or OES. When using XRF, the practice shall also define whether analysis mode or alloy matching mode shall be used.

When identification of minor alloying elements (e.g., low carbon in Type 304L SS or Type 410 SS, minor alloying elements in various grades of titanium) is required, the methods for testing and the acceptance criteria shall be identified in the written practice.

Suitable methods for identifying minor elements include: specialized laboratory instrumentation, suitable optical emission spectroscopy (field portable or laboratory), traceable mill certificates, or a combination of traceable mill certificates and chemical analysis using lower measurement sensitivity.

## B-8 ACCEPTANCE CRITERIA

**B-8.1** The minimum elements to be tested for each alloy type are as listed in Table B-1. For alloys not included in Table B-1, the user shall identify elements to be tested.



**B-8.2** When examining with XRF in an analysis mode, the measured value of alloying elements shall be within 10% of the specified level or range in the applicable materials standards. For example, for 5Cr, where the allowable range is 4% to 6%, the measured value shall fall within the range 3.6% to 6.6%.

**B-8.3** When examining with XRF in an alloy identification or alloy matching mode, the instrument shall confirm that alloys comply with the specified standard. The instrument shall provide quantitative, recordable, elemental composition results for positive identification of the alloy elements present.

**B-8.4** If PMI test results indicate that the component is not the specified material, the item shall be rejected.

**B-8.4.1** When test results using XRF or OES fall outside the acceptable range, a quantitative analysis may be performed by a laboratory test. If no method is referenced in the applicable materials standard, an appropriate method of chemical analysis shall be used. Results of this analysis shall govern.

**B-8.4.2** Material rejected by PMI shall be marked and controlled in accordance with the Manufacturer's written practice.

## B-9 SAMPLING PLAN

Whether 100% PMI or representative sampling is to be applied shall be established in the written practice. When representative sampling is identified in the written practice, the written practice shall also identify an extension plan to be used when some material in an inspection lot is rejected.

**B-9.1** The following metallic-alloy-material items should be considered as candidates for Positive Material Identification (PMI):

- (a) weld caps and root passes for all pressure-containing welds
- (b) all pressure-containing tubing and piping components (includes thermowells, instrument manifolds, etc.)
- (c) plate material used as pressure-containing components
- (d) external valve components (body, flanges, bonnet, plugs and vents, and associated welds)
- (e) expansion joints and bellows in pressure-containing service
- (f) air-cooled heat exchanger tubes (air fin tubes)
- (g) materials with no alloy type identification (i.e., permanent markings)
- (h) internal metallic lining/cladding and weld overlay used for protection against corrosive environments
- (i) load bearing attachments

(j) heat exchanger and boiler internal supports (tube hangers, tube supports, and tubesheets)

(k) all fasteners greater than 2 in. in diameter

(l) ring joint flange and clamp-type connector flange gaskets

If any piece from the representative sample is found to be unacceptable, the extension plan in the written practice shall be followed.

**B-9.2 Exempt.** The following items are typically considered as exempt:

(a) alloy components, where the alloy is installed for product purity consideration only. The Manufacturer may specify PMI requirements if special alloy requirements are needed for environmental concerns.

(b) internal instruments parts, including orifice plates

(c) non-pressure-containing welds

(d) stainless steel instrument tubing and copper tubing with an outside diameter of  $\frac{3}{4}$  in. (19 mm) and less, when properly identified by paint stencil (exchanger tubing is not included in this exemption)

(e) all gaskets, except as required by B-9.1

(f) parts that are internal to pressure parts and are not pressure containing

## B-10 DOCUMENTATION

Records of PMI results shall include the following as a minimum:

**B-10.1** For fabricated or assembled equipment, these records shall include an itemized list of all components and welds tested.

**B-10.2** Tabulation of tested items shall be keyed to drawings through the use of reference numbers.

**B-10.3** Positively identified materials shall be traceable to any required material documentation, such as mill test reports.

**B-10.4** The Manufacturer's records of alloy verification shall be available for review upon completion of the equipment.

## B-11 IDENTIFICATION

Each component (or weld) tested shall be identified after PMI inspection and acceptance. This identification shall be in addition to markings required by this Section or by the standards listed in Table A-360.

Each component or weld analyzed and accepted shall be identified in accordance with the Manufacturer's written practice. This identification may include color coding, low stress stamping, or documentation showing the PMI location and test results.

When material is cut after PMI testing and identification, each piece of material shall be identified in accordance with the Manufacturer's written practice.

# INDEX

- Access door, PWT-14, PWT-15, PFT-40, PFT-42  
 Access openings, PG-44, PFT-42  
 Accumulation test of safety valve capacity, A-46  
 Adamson furnace, PFT-16  
 Allowable working pressure (*see* Working pressure)  
 ANSI Standard steel pipe flanges and fittings, PG-42  
 Appliances and fittings, PG-42, PG-58 to PG-60  
 Application of Code, Preamble  
 Approval of new materials under Code, A-75 to A-80  
   unidentified materials, PG-10  
 Assembly, field, PG-107  
 Attachment of piping to boiler outlets, PG-59, PFT-49  
 Automatic shutoff valves on water gages, PG-60, A-18
- Backing rings for welded pipe joints, PW-41  
 Bars (*see* Crown bars, Steel bars, etc.)  
 Beading tube ends, PFT-12  
 Bending stresses on welding joints, PW-9  
 Blowdown for safety valves, PG-72  
 Blowoff piping and fittings, PG-42, PG-59  
 Boiler external piping, Figs. PG-58.3.1 & PG-58.3.2  
 Boiler parts, permissible specifications for, PG-9  
 Boilers, scope of Section I, Preamble  
 Box header sheets, welded joints between, PWT-12  
   Fig. PWT-12.1, Fig. PWT-12.2  
 Braced and stayed surfaces, PG-46 to PG-49, PFT-22 to  
   PFT-32  
 Brackets, fusion welded, PG-55, PFT-46  
 Brass and copper pipe, PG-9  
   screwed or flanged type fittings or valves, PG-8, PG-42  
 Brown furnaces, PFT-18  
 Btu of various, A-17  
 Bushing, boiler, for pipes, PG-59, Fig. PG-59.1
- Cast, iron, flanged and threaded fittings, PG-42  
   for boiler and superheater connections, PG-8  
 Castings, quality factors, for steel, PG-25  
   for pressure parts, PG-8  
 Castings, permissible specifications for, PG-8  
 Check valves in feedpipe, PG-58, Figs. PG-58.3.1 &  
   PG-58.3.2  
 Circular furnaces, PFT-15  
 Circumferential joint (*see* Joints)  
 Cleanout door in setting, PWT-15, PFT-42  
 Cocks (*see* Blowoff piping & fittings)
- Code application, stamp (*see* Stamp; Stamping)  
 Coil-type hot water boilers, PG-2  
 Combustion chamber, materials for, PG-6  
   sling stays, PFT-13.2  
   tubesheets of, PFT-13  
 Cones, truncated, PFT-23.4  
 Connections, area of, with two or more safety valves, PG-71  
   welded, for nozzles, PG-42, PG-43  
   expanded, for openings, PG-39  
   pipe, welded, PW-41  
   studded, for openings, PG-39  
   threaded, for openings, PG-39  
   to safety valves, PG-71  
   to steam gages, PG-60  
   to test gages, PG-60  
   water column, PG-60  
   welded, for openings, PG-39, PW-15, PW-16  
 Copper and brass pipe, PG-9  
   screwed or flanged-type fittings or valves, PG-8, PG-42  
   tubes, working pressure of, PFT-12  
 Corner radius of unstayed dished head, PG-29  
 Corrugated furnaces, PFT-18, PFT-19  
 Cover plates, material, PG-44  
 Cross-pipe materials, PG-5  
 Crown bars and girder stays, PFT-30  
 Curved stayed surface, subject to internal pressure, PFT-23  
 Cutting of plates, PG-76, PW-29  
 Cylindrical and noncylindrical pressure parts, fusion welding,  
   Part PW
- Data Report Forms, PG-112, A-350 to A-357  
   Master Data Report Form, PG-113  
 Defects, in welded joints, repairing of, PW-40  
 Definitions of fusion welding processes, PW-1  
 Deformation test, hydrostatic, PG-18, PG-100, A-22  
 Design rules, PG-16  
 Diagonal stays, stresses in, PFT-32  
 Discharge pipe from safety valves, PG-71, PFT-44  
 Dished heads, PG-29  
   convex to pressure, PG-29  
   corner radius, PG-29  
   flanged-in manhole, PG-29, PG-34  
   depth of flange, PG-34  
   radius, PG-29  
   staying, PG-30

## 2010 SECTION I

- thickness, PG-29
- Distortion of welded drums or shells, PG-80
- Dome plates, thickness, PFT-9
- Domes, PFT-45
  - seamless, construction, PG-7, PFT-45
- Door frame rings, holes, welded latches, PWT-14
  - material, PFT-5
  - size, PWT-15, PFT-42
- Drains, PG-59
  - from economizers, waterwalls, or water screens, PG-59
  - from superheater, PG-59
- Drilling, tube holes, PG-79, PFT-12
- Drum forgings, material, PG-7
  - with integral heads, PG-7
- Drums, boiler, pipe or tubing for, PG-9
  - computations of openings in, A-65 to A-69
  - distortion, PG-80
  - fusion welding, Part PW
    - inspection, PW-46 to PW-53
    - material, PW-5
  - longitudinal joints (*see* Joints)
  - mud drum, material, PWT-5
  - seamless construction, PG-7
- Ductile iron, flanged fittings, PG-42
  
- Efficiency, PG-27, PG-52, PG-53
- Electric boilers, PG-16, PG-58, PG-67, PG-70, PG-105, PG-106, PG-112, PMB-2, PMB-10, PMB-17, Part PEB, Data Report Form P-2A, A-351
- Existing installations, repairs to, A-64
- Explosion doors in setting, PWT-14
  
- Facing dimensions for steel flanges, PG-42
- Factors of safety (*see* Safety factors)
- Feedpipe, fittings and valves, PG-58, PG-59
- Feedpumps, PG-61
- Feedwater heaters, optional requirements when located within scope of Section I rules, Part PFH
- Feedwater heaters, provisions to prevent overpressure, PG-58
- Field assembly, PG-107
- Firebrick casing for blowoff pipe, PG-59
- Fired steam boiler, definition, Preamble
- Firing doors, PWT-14, PWT-15, PFT-42
- Fittings, and appliances, application requirements for boiler proper, PG-59
  - flanged connections, PG-42
  - material of, between boiler and valves, PG-58
- Flanges, blind, thickness of, PG-31
  - cast iron or steel, PG-42
  - material of, PG-58
  - pipe, PG-42
  - steel, facing dimensions of, PG-42
- Flat heads, PG-31
- Flat plate in corner joints, inspection and repair of, PG-93
  
- Flat surfaces, on dished head, PG-30
  - to be stayed, PG-46, PFT-24 to PFT-26
- Flues, circular, pressure on, PFT-51
- Forgings, permissible specifications for, PG-7
- Fox furnace, PFT-18
- Furnaces, Adamson type, PFT-16
  - Brown, PFT-18
  - Code stamping, PG-106 to PG-111
  - combined plain and corrugated type, PFT-19
  - corrugated, PFT-18
  - Fox, PFT-18
  - Leeds suspension bulb, PFT-18
  - material for, PG-6
  - maximum allowable working pressure, PFT-14 to PFT-19
  - Morison, PFT-18
  - plain circular, PFT-15
  - Purves, PFT-18
  - Ring reinforced type, PFT-17
  - staying for vertical firetube boiler, PFT-23
  - vertical boilers, PFT-23
- Fusible plugs, A-19 to A-21
  - tubes for, PWT-9
  - typical forms of, Fig. A-10
- Fusion welding (*see* Welding)
  
- Gage cocks, PVG-10
- Gage glass, body and connector material, PG-12
- Gages (*see* Steam; Test; Water glasses, etc.)
- Gaskets, manhole, PG-44
- Girder stays and crown bars, PFT-30
  
- Handhole, PFT-43
  - in shell or unstayed head, design, PG-44
- Handhole plates, material of, PG-44
- Hangers to support boilers, PG-55, PFT-46
- Headers, box type, PWT-12
- Heads, area to be stayed, PWT-13, PFT-24, PFT-25
  - dished, PG-30
  - flat, PG-31
  - segments of area to be stayed, PFT-25
  - staying, PFT-24, PFT-25
  - with manholes, PFT-27
- Heating surface, estimating steaming capacity, A-44
- Hemispherical dished heads, PG-29
- High-temperature water boilers, PG-2, PG-61
- Holes, for screw stays, PG-82
  - for tubes, PG-79, PFT-12
  - spacing, PG-52, PG-53
  - tube (*see* Tube holes)
- Hydrostatic pressure test, PG-99
  - fusion welded boilers, PW-54
  - proof testing, A-22
  
- Identification of plates, PG-77

- Inspection, PG-90
  - and repair of flat plate in corner joints, PG-93
  - at place of manufacture, PG-90
  - authority use of symbol, PG-105
  - of welded drums during construction, PG-90
  - openings, PG-44, PFT-43
- Insulation of blowoff pipe, PG-59
- Internal collecting pipe, PG-71
- Inward-opening firing doors, PWT-14
- Iron wrought, for waterleg and doorframe rings, PFT-5
- Iron, cast (*see* Cast iron)
  
- Joints, buttwelded, definition, PW-1
  - electric resistance buttwelded, PW-27
  - fusion welded, PW-27
    - postweld heat treatment, PW-39
    - preheating, PW-38, A-100
  - longitudinal, of plain circular furnaces, PFT-14
    - pipe radiography, PW-11, PW-14
  - welded, design of, PW-9
  - welded, between staybolted box header sheets, PWT-12
  - welded, reinforcement, PW-35
  - welded, test requirements for, PW-46 to PW-54
  
- Latches, firing door, PWT-14
- Leeds suspension bulb furnace, PFT-18
- Ligaments, PG-27, PG-52, PG-53
  - efficiency, PG-27, PG-52, PG-53
  - diagrams, Figs. PG-52.1 & PG-52.6
- Limits of Code piping
  - drum-type boiler, Fig. PG-58.3.1
  - forced flow steam generator with no fixed steam and waterline, Fig. PG-58.3.2
- Limits of compensation for openings, PG-36
- Liquid penetrant examination and acceptance standards, PG-25
  - methods for, A-270
- Load, on structural attachments to tubes, PW-43, A-71 to A-74
- Locomotive-type boiler, dome diameter, PFT-45
  - waterleg and doorframe rings, PFT-5
- Longitudinal joints (*see* Joints)
- Lugs, support and attachment, PG-55
  - to support HRT boilers, PFT-46
  
- Machining plates for welding, PW-29
- Magnetic particle examination and acceptance standards, PG-25
  - methods for, A-260
- Malleable iron, screwed fittings, PG-42
- Manholes, PG-44, PFT-43
  - covers, forming of, materials, PG-44
  - elliptical, size, PG-44
  - gaskets, bearing surface, PG-44
  - in a shell or unstayed head, sizes and design, PG-44
  - in dished heads, PG-34
  - in firetube boilers, PFT-43
  - ring, material of, PG-11
- Manufacturers' Data Report, PG-112, A-350 to A-356
- Manufacturers' stamping of boiler, PG-106
- Materials, acceptable for fusion welding, PW-5
  - approval of new, PG-5, A-75 to A-80
  - door frames and waterlegs, PFT-5
  - for welded piping, PW-5
  - selection, PG-5
  - specifications for, PG-6 to PG-9
  - stays and staybolts, PG-15
  - stress values, maximum allowable
    - ferrous, A-24, Table PG-23.1
    - nonferrous, A-256, Table PG-23.2, A-26, Table PG-23.3
  - under tolerance, PG-16
  - unidentified, PG-10
- Maximum allowable working pressure (*see* Working pressure)
- Metric conversion tables, follows A-356
- Miniature boilers, Part PMB
- Morison furnace, PFT-18
- Mud drums (*see* Drums)
- Muffler on safety valve, PG-71
  
- New materials, approval of, PG-5
- Nipple or pipe connections, threaded joints for, PG-39
- Nondestructive examinations, PG-25, PW-11, Table PW-11
- Nondestructive testing personnel qualification and certification, PG-25, PW-51, PW-52
- Nonferrous tubes and pipes, specifications for, PG-9
- Nonpressure parts, welded, PW-39, PW-54
- Numbers, serial, manufacturer's, PG-106
  
- Ogee flanged construction, PFT-5
- Openings and reinforcements, in shells, headers and heads, PG-32
  - between boiler and safety valve, PG-71, PFT-44
  - inspection, handhole or washout, in shell or unstayed head, PG-44
  - in wrapper sheets, PFT-41
  - in formed heads, PG-34
  - reinforcement computation examples, A-65 to A-70
- Operator qualifications for welding, PW-28
- Organic fluid vaporizer generators, Part PVG
  
- Partial Data Reports, PG-112
- Parts, miscellaneous pressure, PG-11
  - nonpressure, welded, PW-39
- Pipe connections, welded, PW-15
- Pipe nozzle in shell, computation of, A-68
- Pipes, attachment to boiler, PG-59, PW-35, PFT-48, PFT-49
  - blowoff (*see* Blowoff piping)
  - collecting, internal, PG-71

## 2010 SECTION I

- for watertube boilers, PWT-9
- nonferrous, PG-9
- or tubes, thickness, PG-27
- surface blowoff, PG-59
- threads, number, PG-39, Table PG-39
- undertolerance, PG-16
- water column, PG-60
- Piping, and connections included with boiler, PG-11, PG-58,
  - Figs. PG-58.3.1 & PG-58.3.2
  - authority, use of symbol, PG-108
  - blowoff (*see* Blowoff piping)
  - connected to boiler outlets, PG-58, PG-59
  - feed, PG-59
  - welded qualification of process and operators for, PW-28
- Plate, thickness of shell or dome after forming, PFT-9
  - undertolerance, PG-16
- Plates, cutting, PG-76
  - for stayed flat surfaces, PG-46
  - identification, PG-77
  - manhole, material, PG-44
  - preparation for welding, PW-29
  - steel (*see* Steel plates)
  - steel, tensile strength of, PG-23, Table PG-23.1
  - thickness, outside limits in specifications, PG-5
    - minimum, PG-16, PG-27, PG-29, PG-34, PFT-9
  - welded, cutting, PW-29
- Plugs, fusible, A-19 to A-21
- Postweld heat treatment, PW-39, Table PW-39
- Preamble
- Preheating, PW-38, A-100
- Pressure, maximum allowable working (*see* Working pressure;
  - also Shell, Tubes, etc.)
- Pressure parts, included with boiler, PG-11, PG-58,
  - Figs. PG-58.3.1 & PG-58.3.2
  - postweld heat treatment, PW-39
- Pressure test, hydrostatic (*see* Hydrostatic pressure test)
- Proof tests to establish maximum allowable working pressure,
  - A-22, A-23
- Pumps or injectors for feeding boiler, PG-61
- Purves furnace, PFT-18
  
- Qualification of welding procedures and operators, PW-28
- Quality control system, PG-105, A-300
- Quality factors for steel castings, PG-25
  
- Radiographic examinations, PG-25, PW-11, Table PW-11
  - acceptance standards for castings, PG-25
  - acceptance standards for welds (when mandatory), PW-51
  - of welded butt joints, PW-11, Table PW-11
- Referenced standards, PG-3, A-360
- Reheaters, safety valves, PG-68
- Reinforced openings, for pipe connections, PW-15
  - in dished heads, PG-29
  - in unstayed flat heads, PG-31
  - nozzle, PW-15
- Reinforcement of welded joints, limits of, PG-33
- Reinforcements, of welded joints, PW-35
- Relieving, stress, in fusion welded joints (*see* Postweld heat
  - treatment)
- Repairing defects in welded joints, PW-40
- Repairs, existing installations, A-64
- Report, Manufacturers' Data, PG-112, PG-113
- Reservoirs on steam mains, PG-59
- Resistance, electric, butt welded joints, PW-27
- Ring joint flanges, facing dimensions of, PG-42
- Rings, backing, for welded pipe joints, PW-41
  - waterleg and door frame, PFT-5
- Riveted boilers, A-30
- Rods for stays, support of, PFT-28
- Rolling and expanding tube, PWT-11, PFT-12
  
- Safety valves, PG-67 to PG-73, PG-105, PG-110, PVG-12,
  - A-12 to A-17, A-44 to A-48
  - additional, existing installations, A-48
  - capacity, examples of checking, A-12 to A-17
    - methods of checking, PG-70
  - casing, PG-69
  - connections, PG-67.5, PG-71, PFT-44
  - constructions, PG-67, PG-68
  - design requirements, PG-73
  - discharge capacity, PG-67, PG-68, PG-70, PVG-12
  - discharge pipe, PG-71
  - duplex, PG-71
  - economizer, PG-67
  - existing installations, A-44, A-45
  - forced circulation boilers, PG-72
  - inspection of mfr. and assembly, PG-73
  - markings required, PG-110
  - marking to constitute guarantee, PG-69
  - material selections, PG-73
  - maximum rise in pressure, PG-67
  - mechanical requirements, PG-73
  - method of checking safety valve capacity, A-12 to A-17
  - minimum requirements for, PG-67
  - mounting, PG-71
  - muffler on, PG-71
  - organic fluid vapor generators, PVG-1
  - outdoor shield, PG-71
  - popping point tolerance, PG-72
  - power actuated, PG-67
  - required on boiler, PG-67
  - seats, PG-67, PG-73
  - setting, PG-67, PG-72
  - springs, PG-72, PG-73
  - stamping, PG-105, PG-110
  - superheater, PG-68
  - test accumulation, PG-70
    - existing installations, A-46

- testing, PG-69, PG-73
- twin, PG-71
- Scope of Code, Preamble, PG-1
- Screwed fittings or valves (*see* Fittings)
- Screwed stays, supporting of, PFT-28
- Seamless drums or shells, PG-7
  - (*see* Tubes)
- Selection of materials, PG-5
- Serial number, PG-106
- Setting boilers, outside suspension, PFT-46
- Setting safety valves, PG-67
- Shell or drum, allowable pressure on, PG-27
  - fusion welding, Part PW
  - longitudinal joints of, PFT-10
  - material for welded shells, PW-5
  - openings in, computation of, A-65 to A-70
  - plate, thickness, PFT-9
  - seamless construction, PG-7
- Shutoff valves, automatic on water gages, PG-60
  - on water column connection, PG-60
- Sling stays, PFT-13, PFT-30
- Socket type joint connections of pipe, PW-41
- Sootblower connection to superheater outlet, PG-68
- Spacing between stays, PFT-27
- Specifications for materials, PG-5 to PG-13
- Stamp, Code symbol, PG-105, Fig. PG-105.1 to Fig. PG-105.4
  - boilers, PG-106
  - field assembled boilers, PG-108
- Stamping, location, PG-111
  - pressure piping, PG-109
  - safety valves, PG-110
  - shell plates, furnace sheets and heads, PG-77, PG-106
  - transferring markings, PG-77, PG-106
- Staybolts, adjacent to edges of surface, PG-48, Fig. A-8
  - adjacent to furnace door, PFT-27, Fig. A-8
  - allowable stress, PFT-28
  - detailed and proportions, PG-47, PG-49, PFT-27, Fig. A-8
  - flexible, with welded cover cap, PFT-29
  - holes for, PG-82
  - material, PG-13
  - pitch, PG-46, PFT-27
  - stresses, PFT-23, PFT-28
  - welded, PW-19
- Stayed surfaces, PG-46 to PG-49, PW-19, PWT-13, PFT-22 to PFT-32, A-8, Fig. A-8
  - curved surfaces, PFT-23
  - flat surfaces, PG-46
- Stayed wrapper sheet, PFT-23, Fig. PFT-23.1
- Staying, dished heads, PG-30
  - furnaces, PFT-23
  - segments of heads, PFT-25
    - with manhole openings, PFT-27, Fig. A-8
  - segments of tube sheets, PFT-25
- Stay rods, ends riveted over, PFT-28
- Stay tubes, PFT-31
- Stays and staybolts, PG-13, PG-46 to PG-49, Fig. PG-46.2, PW-19, PFT-22 to PFT-32, PW-19, A-8, A-10, Table A-4, Fig. A-8
  - allowable stress on, PFT-28
  - area to be supported, PFT-26
  - diagonal stays, PFT-32
  - ends of, PG-46, PF-47, PW-19, PFT-22 to PFT-32
  - fusion welding of, PW-19
  - girder, PFT-30
  - length between supports, PFT-28
  - material of, PG-13
  - screwed, diameter, PG-49, PFT-28, A-8
    - supporting, PFT-28
  - sling, PFT-13
  - stress on, PFT-28
  - stresses, in diagonal stays, PFT-32
  - through-stays, PG-46, PFT-24, PFT-28
  - upset for threading, PG-47
  - welded, cross-sectional area, PW-19
- Stay tubes, area to be supported by, PFT-31
- Steam cleaners, PG-2
- Steam gages, PG-60
  - and connections, PG-60
  - dial, graduation of, PG-60
  - test connection, PG-60
- Steam generating capacity, examples of checking, A-12 to A-17
- Steam mains, PG-59
- Steam outlets, PG-59
- Steel, cast, fittings or valves, PG-42
  - wrought or cast, for boiler and superheater parts, PG-9
- flange, PG-42
  - for watertube boilers, PG-5
- Steel bars for boiler parts, PG-13
- Steel fittings, flanged, PG-42
  - terminating flanges for, PG-42
  - working pressure for, PG-42
- Steel plate, tensile strength of, PG-23
- Steel plates, exposed to fire, PG-6
- Stock parts, cast, forged, or rolled, PG-11
- Stop valves (*see* Valves)
- Strength, of circumferential welded joints, PW-41
  - of structure that cannot be calculated, test, PG-100, A-22
- Stresses allowable in ferrous materials, PG-23, A-24, Table PG-23.1
  - in nonferrous materials, PG-23, A-25, Table PG-23.2, A-26, Table PG-23.3
- Stress relieving of fusion welded joints (*see* Postweld heat treatment)
- Structural attachments to tubes, computation of loading on, PW-43, A-71 to A-74
- Structural reinforcement for heads, PG-30
- Studded connections, PG-39

- connection in shell, computation of, A-67
- Superheater, drains, PG-59  
 material for, PG-9  
 safety valve on, PG-68  
 shutoff valve, PG-59  
 tubes, welded, PW-41  
 tubes and nipples, PWT-9, PWT-11, Fig. PWT-11
- Surface blowoff, PG-59
- Suspension type of boiler setting, PFT-46
- Tell tale holes, drilling, PG-47, PW-19, PFT-29
- Temperature of metal during hydrostatic test, PG-99
- Tension test of joint specimen, PW-53
- Test, hydrostatic, of fusion welded drums, PW-54  
 hydrostatic pressure (*see* Hydrostatic pressure test)  
 nondestructive, of welded joints, PW-51, PW-52  
 of safety valve capacity, PG-70  
 existing installations, A-44 to A-48  
 of structure of which the strength cannot be calculated,  
 PG-100, A-22  
 requirements for fusion-welded joints, PW-46 to PW-54
- Test gage, connection, PG-60
- Test gages, PG-99, A-22
- Thickness of plates, undertolerance, PG-16
- Threaded connections, flanged in shell, computation of, A-66
- Threads, fitting into pipe or nipple, PG-59  
 pipe, number for boiler connection, Table PG-39
- Through-stays, PG-46, PFT-24
- Tin for fusible plugs, A-19
- Transfer of markings on plate, PG-77
- Truncated cones, pressure on, PFT-23.4
- Tube ends, expanding, PWT-11, Fig. PWT-11  
 firetube boiler, PFT-12  
 flaring, PWT-11, Fig. PWT-11  
 watertube boilers and superheaters, PWT-11, Fig. PWT-11
- Tube holes, and ends, PG-79, PFT-12, PWT-11, Fig. PWT-11  
 diagonal, in shell or drum, PG-52  
 drilling or punching, PG-79  
 in shell or drum, PG-52, PG-53  
 pitch, PG-52, PG-53  
 sharp edges, removed, PG-79
- Tubes, and pipes, nonferrous, PG-27  
 attachments, typical structural, PW-43, A-71 to A-74  
 for firetube boilers, PFT-12  
 stay, PFT-31  
 structural attachments, load on, PW-28, PW-43, A-71 to  
 A-74, Figs. A-71 to A-74  
 thickness, PG-27, PG-43, PWT-9, PWT-10  
 undertolerance, PG-16  
 welded connections of, PW-41  
 working pressure, PG-27
- Tubesheets, combustion chambers, PFT-13  
 cylindrical, ligaments in, PG-52  
 insertion of, in shell, PFT-11
- thickness of, PFT-9  
 unstayed, space allowed, PFT-25
- Tube spacing, PG-52
- Ultrasonic examinations, PW-11, Table PW-11  
 acceptance standards for welds, PW-52  
 of welded butt joints, PW-11, Table PW-11
- Unfired steam boiler, classification, Preamble
- Unreinforced openings, dished heads, PG-29  
 in shell, computation of, A-65  
 nozzles, PW-15, PW-16
- Unreinforced welded joints, holes in, PW-14
- Unstayed circular furnaces, rules for, PFT-15
- Unstayed flat heads, reinforced openings in, PG-35  
 thickness, PG-31  
 unreinforced openings in, PG-32
- Unsymmetrical spacing of staybolts, PG-46.7
- Valves, PG-58, PG-59  
 automatic, on water gages, PG-60, A-18  
 blowoff (*see* Blowoff valves)  
 bodies or fittings, thickness, PG-42  
 cast iron, PG-8  
 drain (*see* Drains)  
 flanges of, PG-42  
 material, PG-11  
 on steam outlet, PG-59  
 on supply line, PG-59  
 on water fronts, PG-60  
 on water column, PG-60  
 safety (*see* Safety valves)  
 stop, PG-59
- Vertical firetube boilers, PG-43
- Washout openings, PFT-43  
 in shell or unstayed head, PG-44
- Water column, and connection, PG-60  
 design and material of, PG-60  
 shutoff valves on, PG-60
- Water fronts, valves on, PG-60.5
- Water gage glass, lowest visible part of, PG-60
- Water gages, automatic, A-18
- Water glasses, PG-60
- Waterleg and doorframe ring, PFT-5
- Waterleg flanges, joined by welding, PFT-21, PWT-12
- Waterleg joints, formed by welding, Fig. PFT-21
- Water level indicators, PG-60
- Waterside fusible plugs, A-20  
 rings, material of, PFT-5
- Welded connections of superheater tubes, PW-41
- Welded joints, between staybolted box header sheets, PWT-12  
 electric resistance butt, PW-27  
 inspection during fabrication, PW-46

2010 SECTION I

- longitudinal and circumferential, PW-35
- postweld heat treatment, PW-39
- preheating, PW-38
- radiographic testing, PW-51
- repair of defects in, PW-40
  - unreinforced, holes in, PW-14
- Welded pipe connections, PW-41
- Welded piping connecting to boiler outlets, PW-35
- Welded stays, PW-19
- Welding, Part PW
  - materials acceptable for, PW-5
  - of nozzles, PW-16
  - of stays, fusion, PW-19, PFT-24
  - operator, qualification of, PW-28
  - preparation of base metal for, PW-29
  - processes, acceptable, PW-27
  - procedure, qualification of, PW-28
  - terms, definitions of, PW-1, PW-27
  - test requirements, PW-46 to PW-54
- Wet-bottom boilers, height from floor line, PFT-46
- Working pressure, for braced and stayed surfaces, PG-46
  - for steel fittings, PG-42
  - for tubes, of firetube boilers, PFT-12
    - of watertube boilers, PG-27
  - maximum, PG-21, PG-27
  - on flat surfaces, PG-46
  - on shells, PG-21
- Wrapper sheet of locomotive type boiler, PFT-23
- Wrought iron (*see* Iron)
- Wrought steel (*see* Steel)



ASME Boiler and Pressure Vessel Code  
SECTION I

---

INTERPRETATIONS  
Volume 60

---

Interpretations of the Code are posted in January and July at [www.cstools.asme.org/interpretations](http://www.cstools.asme.org/interpretations). Interpretations of Section III, Divisions 1 and 2, are part of the update service to Section III, Subsection NCA.

Interpretations Volumes 57 through 59 were included with the update service to the 2007 Edition of the Code; Volume 60 is the first Interpretations volume to be included with the update service to the 2010 Edition.

---

Section	Vol. 60	Vol. 61
I	7/10	
II-A	7/10	
II-B	...	
II-C	...	
II-D (Customary)	...	
II-D (Metric)	...	
III-NCA	7/10	
III-3	...	
IV	7/10	
V	...	
VI	...	
VII	...	
VIII-1	7/10	
VIII-2	7/10	
VIII-3	...	
IX	7/10	
X	7/10	
XI	7/10	
XII	7/10	

---



# INTERPRETATIONS

## VOLUME 60 — SECTION I

Replies to Technical Inquiries  
January 1, 2009 Through December 31, 2009

### FOREWORD

#### General Information

This publication includes all written interpretations issued between the indicated dates by the ASME Staff on behalf of the ASME Boiler and Pressure Vessel Committee in response to inquiries concerning interpretations of the ASME Boiler and Pressure Vessel Code. A contents is also included which lists subjects specific to the interpretations covered in the individual volume.

These interpretations are taken verbatim from the original letters, except for a few typographical and editorial corrections made for the purpose of improved clarity. In some instances, a review of the interpretation revealed a need for corrections of a technical nature. In these cases, a revised interpretation is presented bearing the original interpretation number with the suffix R and the original file number with an asterisk. Following these revised interpretations, new interpretations and revisions to them issued during the indicated dates are assigned interpretation numbers in chronological order. Interpretations applying to more than one Code Section appear with the interpretations for each affected Section.

ASME procedures provide for reconsideration of these interpretations when or if additional information is available which the inquirer believes might affect the interpretation. Further, persons aggrieved by an interpretation may appeal to the cognizant ASME committee or subcommittee. As stated in the Statement of Policy in the Code documents, ASME does not “approve,” “certify,” “rate,” or “endorse” any item, construction, proprietary device, or activity.

An interpretation applies either to the Edition and Addenda in effect on the date of issuance of the interpretation or the Edition and Addenda stated in the interpretation. Subsequent revisions to the Code may supersede the interpretation.

For detailed instructions on preparation of technical inquiries to the ASME Boiler and Pressure Vessel Committee, refer to Mandatory Appendix I.

#### Subject and Numerical Indexes

Subject and numerical indexes have been prepared to assist the user in locating interpretations by subject matter or by location in the Code. They cover interpretations issued from Volume 12 up to and including the present volume, and will be updated with each volume.

## SECTION I

<u>Subject</u>	<u>Interpretation</u>	<u>File No.</u>
Code Case 2235-9, Application of Table 1 Acceptance Criteria (2007 Edition) . . . . .	I-10-03	09-880
PG-5.1, A-302.4, Assuring Receipt of Required Material Certifications and Mill Test Reports (2007 Edition) . . . . .	I-10-04	09-19
PG-11.1.1, PG-42, and Code Case 2192-6, Modified 9Cr-1Mo-V Cast Material (2007 Edition) . . . . .	I-10-06	09-1087
PG-42.3/PG-42.4/PG-39 (2007 Edition) . . . . .	I-10-07	09-1496
PG-58.3, PG-109.1, Qualification of WPS and Welders Used to Weld Boiler External Piping (2007 Edition) . . . . .	I-10-08	09-1780
PG-58.3.5 (2007 Edition) . . . . .	I-07-14	09-153
PG-99, PG-106.8.1, PW-54.1, Minimum Water Temperature for Hydrostatic Testing of Boiler Parts (2007 Edition) . . . . .	I-10-05	09-1017
PG-112, Data Report Requirements for Standard Pressure Parts (2007 Edition) . . . . .	I-10-02	09-336
PW-39.3 (2007 Edition) . . . . .	I-10-01	09-97

**Interpretation: I-07-14**

Subject: PG-58.3.5 (2007 Edition)

Date Issued: February 20, 2009

File: 09-153

Question: On a forced-flow steam generator with no fixed steam and waterline, a feedwater heater(s) fitted with isolation and bypass valves is installed between the boiler feed pump and the stop valve as described in PG-58.3.5. Is the feedwater heater(s) required to meet Part PFH?

Reply: No.

**Interpretation: I-10-01**

Subject: PW-39.3 (2007 Edition)

Date Issued: August 24, 2009

File: 09-97

Question: The first sentence of the third paragraph of PW-39.3 indicates “The term nominal thickness in Table PW-39 is the thickness of the weld, pressure retaining material or the thinner of the sections being joined, whichever is least.” The second and third sentences of this same paragraph define the thickness for different kinds of welds (fillet, partial penetration, and combined groove and fillet welds). Are these second and third sentences defining the nominal thickness to be used when applying the rules of Table PW-39?

Reply: Yes.

**Interpretation: I-10-02**

Subject: PG-112, Data Report Requirements for Standard Pressure Parts (2007 Edition)

Date Issued: August 24, 2009

File: 09-336

Question: For Boiler External Piping utilizing standard pressure parts as defined by PG-11 that are supplied by the boiler Manufacturer as part of a complete boiler unit, does Section I require those standard pressure parts to be listed on a Manufacturer’s Data Report?

Reply: No.

**Interpretation: I-10-03**

Subject: Code Case 2235-9, Application of Table 1, Acceptance Criteria (2007 Edition)

Date Issued: August 24, 2009

File: 09-880

Question: If either of the acceptance criteria shown in Table 1 is exceeded, is the flaw considered unacceptable?

Reply: Yes.

**Interpretation: I-10-04**

Subject: PG-5.1, A-302.4, Assuring Receipt of Required Material Certifications and Mill Test Reports (2007 Edition)

Date Issued: August 25, 2009

File: 09-19

Question: Certain material specifications contained in Section II require material test reports be provided with the material. Is it the intent of Section I that it is the Manufacturer's responsibility to ensure, as part of its material receiving control system, that the required material certifications and mill test reports are received?

Reply: Yes.

**Interpretation: I-10-05**

Subject: PG-99, PG-106.8.1, PW-54.1, Minimum Water Temperature for Hydrostatic Testing of Boiler Parts (2007 Edition)

Date Issued: August 25, 2009

File: 09-1017

Question: Do the requirements of PG-99 regarding minimum hydrostatic test water temperature apply to hydrostatic testing of boiler parts in accordance with PW-54.1?

Reply: Yes.

**Interpretation: I-10-06**

Subject: PG-11.1.1, PG-42, and Code Case 2192-6, Modified 9Cr-1Mo-V Cast Material (2007 Edition)

Date Issued: August 25, 2009

File: 09-1087

Question (1): When valves are required to be installed in an ASME Section I system and the system design requires the valves to be constructed of 9Cr-1Mo-V cast materials, are the modified 9Cr-1Mo-V cast material requirements of ASME Section I, Code Case 2192-6, required to be applied to the valves installed in that system?

Reply (1): No.

Question (2): If the answer to Question (1) is "no," are valves installed in an ASME Section I system required to conform to ASME B16.34 and PG-11.1.1 or PG-42 as applicable?

Reply (2): Yes.

**Interpretation: I-10-07**

Subject: PG-42.3/PG-42.4/PG-39 (2007 Edition)

Date Issued: December 30, 2009

File: 09-1496

Question: May hubless studed outlet flanges that are to be welded directly into the shell on Section I boilers be fabricated from plate material?

Reply: Yes.

**Interpretation: I-10-08**

Subject: PG-58.3, PG-109.1, Qualification of WPS and Welders Used to Weld Boiler External Piping (2007 Edition)

Date Issued: December 30, 2009

File: 09-1780

Question (1): Do the rules of B31.1 for welding procedure and welder performance qualification apply to welding of boiler external piping defined by ASME Section I?

Reply (1): Yes.

Question (2): Do the B31.1 rules described in Question (1) above apply to welded joints in the boiler proper?

Reply (2): No.

INTENTIONALLY LEFT BLANK



## NUMERICAL INDEX

Location	Interpretation	File No.	Page No.	Location	Interpretation	File No.	Page No.
<b>Appendix</b>				<b>Part PEB (Cont'd)</b>			
A-19	I-89-61	BC90-512	211	PEB-9.1	I-01-09R	BC01-376*	403
A-22	I-83-92	BC84-097	76	PEB-13	I-92-51	BC92-400	260
	I-92-93	BC93-562	291	PEB-18	I-83-26	BC80-641	18
A-33	I-86-59	BC87-142	144	<b>Part PFT</b>			
A-69	I-89-47	BC89-070	201	PFT-9.2.1	I-86-83	BC88-016	157
	I-89-49	BC90-007	202	PFT-9.2.2	I-83-19	BC82-251	15
A-150	I-89-30	BC89-216	187	PFT-11.3	I-86-60	BC87-180	144
A-250	I-83-35	BC82-859	28	PFT-12	I-83-41	BC82-656	32
	I-83-73	BC83-299	61		I-83-51	BC83-148	44
A-270	I-04-09	BC03-1360	420		I-86-17	BC84-021	110
A-300	I-89-64	BC90-608	212		I-07-06	07-2005	447
	I-92-91	BC94-059	290	Fig. PFT-12.1	I-86-08	BC84-568	102
	I-04-19	BC04-639	427		I-86-58	BC87-100	144
A-302.4	I-10-04	09-19	454		I-86-76	BC85-486	155
A-350	I-83-48R	BC80-258*	43		I-95-26	BC95-497	323
	I-89-27	BC88-417	186	Fig. PFT-12.1(g)	I-98-34	BC99-553	374
	I-92-58	BC93-042	263	PFT-12.2	I-86-04	BC85-062	100
	I-98-17	BC98-371	363		I-01-20	BC02-2696	400
A-351	I-83-22	BC82-620	16	PFT-12.2.1(d)	I-98-34	BC99-553	374
A-351.1	I-83-16	BC82-233	14	PFT-12.2.2	I-98-28	BC99-228	367
A-352	I-92-70	BC93-385	276	PFT-14	I-92-64	BC93-152	265
A-353	I-83-57	BC82-886	47	PFT-14.1	I-92-68	BC93-152(a)	275
A-354.1	I-83-56	BC82-439	47	PFT-14.1.2	I-83-21	BC82-503	15
	I-89-34	BC89-274	190	PFT-15	I-83-99	BC84-372	79
A-360	I-04-04	BC03-538	419	PFT-17	I-89-23	BC88-019	185
A-361	I-89-02	BC88-059	165	PFT-19.1	I-86-67	BC83-343	53
<b>Code Cases</b>					I-86-53	BC86-461	137
1855	I-04-34	BC05-1575	437		I-04-17	BC04-406	426
1924-1	I-04-31	BC05-1036	434	PFT-21	I-92-08	BC90-867	232
2192-6	I-10-06	09-1087	454		I-89-43	BC89-347	194
2235-3	I-04-27	BC04-1643	433		I-89-60	BC90-347	211
2235-9	I-07-10	08-1481	448		I-89-62	BC90-514	212
	I-07-12	08-1424	449		I-89-63	BC90-607	212
	I-10-03	09-880	453	PFT-23.2	I-04-10	BC03-1349	420
<b>Part PEB</b>				PFT-25.2	I-95-34	BC96-524	331
PEB	I-83-81	BC83-228	65	PFT-31	I-04-33	BC05-1099	434
PEB-2.2	I-83-38	BC82-493	31	PFT-43	I-92-57	BC92-442	262
	I-86-70	BC87-403	153		I-01-02	BC00-513	384
PEB-3	I-83-30	BC82-554A	20		I-04-15	BC04-228	426
	I-83-50	BC83-026	44	PFT-47	I-86-43	BC86-127	132
	I-86-31	BC85-615A	117	PFT-50	I-89-29	BC89-212	187
	I-89-16	BC89-019	177	PFT-51	I-98-28	BC99-228	367
	I-92-89	BC94-016	289	<b>Part PG</b>			
PEB-3.1	I-86-70	BC87-403	153	PG-1	I-83-74	BC82-553	61
PEB-5.2	I-92-82	BC93-582	282		I-83-83	BC83-382	65
PEB-8	I-86-34	BC83-659	129	PG-2.1(b)	I-86-44	BC86-248	133
PEB-9	I-83-27	BC82-177	18		I-86-81	BC87-472	157
	I-86-26	BC84-637	115				
	I-89-39	BC89-105	192				

SECTION I — CUMULATIVE INDEX — INTERPRETATIONS VOLS. 12-60

Location	Interpretation	File No.	Page No.	Location	Interpretation	File No.	Page No.
<b>Part PG (Cont'd)</b>				<b>Part PG (Cont'd)</b>			
PG-2.3	I-83-17	BC82-355	14	PG-27 (Cont'd)			
	I-83-58	BC83-061	47		I-89-33	BC89-254	189
	I-86-39	BC85-511	131		I-98-08	BC97-374	349
PG-3	I-04-21	BC04-125	427		I-98-12	BC97-540	351
PG-5	I-77-28R	BC75-286*	5	PG-27.2	I-86-25	BC81-713,	114
	I-89-09	BC88-228	169			BC83-289,	
	I-92-24	BC91-623	245			BC83-669,	
	I-04-32	BC05-1037	434			BC84-230	
	I-07-11	08-1564	449	PG-27.2.1	I-95-33	BC96-366	331
PG-5.1	I-10-04	09-19	454	PG-27.2.2	I-95-35	BC96-184	337
PG-5.5	I-01-25	BC02-3540	405		I-95-37	BC96-457	337
	I-04-03	BC03-481	418	PG-27.3	I-83-33	BC82-608	27
PG-9	I-83-01	BC79-382	7	PG-27.4	I-83-95	BC82-847	77
	I-86-56	BC87-053	143		I-86-37	BC86-383	130
	I-89-04	BC88-151	166		I-86-87	BC88-064	159
	I-92-18	BC91-577	237		I-95-06	BC94-449	305
	I-92-82	BC93-582	282		I-98-26	BC99-226	366
	I-92-98	BC94-301	294		I-98-44	BC00-094	378
	I-95-03	BC94-448	300	PG-29	I-86-19	BC85-282	111
PG-9.1	I-92-21	BC91-541	243		I-86-64	BC87-210	146
	I-92-40	BC92-258	255	PG-29.3	I-92-88	BC94-015	289
	I-04-35	BC06-0128	437	PG-29.9	I-98-32	BC99-229	373
PG-9.2	I-92-21	BC91-541	243	PG-29.11	I-86-41	BC85-616	132
PG-10	I-83-82	BC82-353	27		I-95-13	BC94-647	308
	I-86-72	BC87-410	154	PG-31	I-86-27	BC85-072	115
	I-86-84	BC88-018	158		I-86-65	BC84-023A	151
	I-89-10	BC88-229	169		I-86-66	BC85-094A	152
	I-89-11	BC87-007A	169		I-89-46	BC89-354	195
	I-89-72	BC91-059	222	PG-31.2	I-01-18	BC02-2201	399
	I-92-06	BC91-418	231	PG-32	I-83-61	BC83-302	49
PG-10.1.1	I-92-49	BC92-396	259		I-86-78	BC86-274	156
PG-11	I-89-04	BC88-151	166		I-86-83	BC88-016	157
	I-89-06	BC88-159	167		I-89-35	BC89-286	190
	I-89-28	BC89-024	187		I-89-47	BC89-070	201
	I-92-97	BC94-300	293		I-89-49	BC90-007	202
PG-11.1.1	I-10-06	09-1087	454		I-92-65	BC93-381	266
PG-11.1.2	I-92-31	BC91-421	248		I-92-79	BC93-384	280
PG-11.2	I-92-21	BC91-541	243		I-04-36	BC06-0188	437
	I-92-32	BC91-538	248	Fig. PG-32	I-07-13	08-1561	450
PG-11.3	I-89-59	BC88-181	211	PG-32.1.1	I-92-14	BC91-532	235
PG-12	I-89-56	BC90-414	205	PG-32.1.2	I-92-44	BC91-532R	257
	I-04-03	BC03-481	418		I-04-08	BC03-1262	420
PG-13	I-83-100	BC84-427	79	PG-32.1.3.1	I-07-13	08-1561	450
	I-92-53	BC92-402	260	PG-33	I-83-61	BC83-302	49
	I-98-33	BC99-462	374	PG-36	I-92-13	BC91-531	235
PG-16	I-86-79	BC87-323	156		I-92-29	BC92-017A	247
PG-16.5	I-98-28	BC99-228	367		I-92-34	BC91-531R	253
	I-04-02	BC03-284	418		I-92-37	BC92-017A	254
PG-22	I-83-02	BC80-346	7		I-92-45	BC92-017A	257
	I-86-51	BC86-314	136	Fig. PG-36	I-01-01	BC00-413	383
	I-86-61	BC87-182	145	Fig. PG-36.4	I-01-01	BC00-413	383
	I-04-28	BC05-452	433	PG-36.4.4	I-86-09	BC84-638	102
	I-07-07	07-1664	447	PG-37	I-92-13	BC91-531	235
PG-23.1	I-92-03	BC91-125	230		I-92-34	BC91-531R	253
Table PG-23	I-83-111	BC84-167	91		I-95-02	BC94-446	299
	I-89-10	BC88-229	169	PG-38	I-83-61	BC83-302	49
	I-89-29	BC89-212	187		I-89-47	BC89-070	201
PG-27	I-83-05	BC79-774	9		I-89-49	BC90-007	202
	I-83-23	BC81-553	16		I-95-37	BC96-457	337
	I-83-47	BC79-501	41	PG-38.4	I-89-69	BC91-058	220
	I-83-115	BC84-314	93		I-95-19	BC95-248	316

## SECTION I — CUMULATIVE INDEX — INTERPRETATIONS VOLS. 12-60

Location	Interpretation	File No.	Page No.	Location	Interpretation	File No.	Page No.
<b>Part PG (Cont'd)</b>				<b>Part PG (Cont'd)</b>			
PG-39	I-10-07	09-1496	454	PG-58.3.3	I-83-76	BC83-333	62
PG-39.5	I-83-25	BC82-267	17	PG-58.3.4	I-01-30	BC02-4032	407
PG-39.5.1	I-92-89	BC94-016	289		I-01-31	BC02-4033	408
PG-39.7	I-83-89	BC84-020	73	PG-58.3.5	I-07-14	09-153	453
	I-01-29	BC02-4028	407	PG-58.3.6	I-83-53	BC83-247	45
PG-42	I-83-91	BC80-685	75		I-86-22	BC86-064	112
	I-83-11	BC84-167	91	PG-59	I-95-23	BC95-451	317
	I-86-21	BC85-462A	112		I-95-25	BC95-495	323
	I-86-27	BC85-072	115		I-98-36	BC99-552	375
	I-95-38	BC96-459	338		I-01-27	BC02-3624	406
	I-10-06	09-1087	454	PG-59.2	I-86-54	BC87-098	137
	I-10-07	09-1496	454	PG-59.3	I-83-14	BC81-708	13
PG-42.1	I-83-24	BC82-266	17		I-89-36	BC86-316	191
	I-83-07	BC77-762	10	PG-59.3.2	I-83-43	BC83-088	33
	I-89-02	BC88-059	165	PG-59.3.6	I-95-23	BC95-451	317
PG-42.3	I-10-07	09-1496	454	PG-59.4	I-83-70	BC83-583	54
PG-42.4	I-10-07	09-1496	454		I-92-27	BC92-016	246
PG-42.4.4	I-92-28	BC92-048	246	PG-59.4.1	I-83-98	BC83-668	79
PG-43	I-01-33	BC01-766	411	PG-60	I-86-02	BC84-407	99
PG-44	I-83-39	BC82-504	31		I-86-07	BC83-574	101
	I-89-26	BC88-153	186		I-89-06	BC88-159	167
PG-44.3	I-89-59	BC88-181	211		I-98-03	BC97-211	357
PG-46	I-86-14	BC84-639	109		I-01-22	BC01-235,	404
	I-95-34	BC96-524	331			BC97-209	
PG-47	I-83-09	BC80-509	11	PG-60.1	I-83-13	BC82-179	13
PG-52	I-83-61	BC83-302	49		I-92-15	BC91-534	236
	I-89-47	BC89-070	201		I-92-63	BC93-132	265
	I-89-48	BC89-348	201		I-92-66	BC93-387	266
	I-89-49	BC90-007	202		I-92-69	BC93-382	275
	I-92-13	BC91-531	235		I-95-07	BC94-450	305
	I-92-14	BC91-532	235		I-01-19	BC02-2114	399
	I-92-34	BC91-531R	253		I-04-38	BC06-0087	438
	I-04-08	BC03-1262	420		I-07-08	07-1821	448
PG-52.3	I-98-15	BC98-160	352	PG-60.1.1	I-86-50	BC86-129	136
PG-53	I-04-08	BC03-1262	420		I-89-12	BC87-215	170
PG-53.2	I-04-26	BC04-1554	429		I-89-73	BC91-173	222
PG-55	I-83-12	BC81-428	12		I-89-53	BC89-266	204
	I-92-67	BC93-437	266		I-92-50	BC92-397	259
	I-92-83	BC93-625	282		I-95-04	BC94-454	300
PG-58	I-83-65	BC83-062	52		I-98-14	BC98-158	351
	I-83-64	BC82-810	51		I-98-19	BC98-374	363
	I-83-64R	BC82-810*	88	PG-60.1.6	I-83-103	BC83-647	81
	I-89-44	BC89-349	194		I-04-13	BC03-1731	425
	I-92-07	BC91-422	232	PG-60.2	I-92-96	BC94-196	293
	I-92-55	BC92-014	261	PG-60.2.2	I-86-54	BC87-098	137
	I-98-03	BC97-211	357	PG-60.3	I-04-12	BC03-1730	425
	I-98-36	BC99-552	375	PG-60.3.4	I-98-23	BC99-225A	365
PG-58.3	I-83-29	BC82-438,	19	PG-60.3.8	I-98-24	BC99-225B	366
		BC82-505		PG-60.4	I-83-40	BC82-558	31
	I-86-46	BC86-473	134	PG-60.6	I-86-63	BC87-208	146
	I-95-18	BC95-244	315	PG-61	I-83-54	BC81-349	46
	I-04-21	BC04-125	427		I-83-77	BC83-436	63
	I-10-08	09-1780	455		I-86-18	BC85-278	111
PG-58.3.1	I-83-110	BC84-099	90		I-89-57	BC90-415	206
	I-86-15	BC85-128	109	PG-61.1	I-83-03	BC80-309	8
	I-89-06	BC88-159	167		I-86-62	BC87-207,	145
	I-89-13	BC88-154	170			BC87-256,	
PG-58.3.2	I-86-12	BC85-462	103			BC87-257	
	I-86-80	BC87-402	156		I-89-67	BC90-782	219
	I-92-90	BC94-019	290		I-95-22	BC95-445	317
	I-07-02	BC06-670	439		I-98-25	BC99-225C	366

SECTION I — CUMULATIVE INDEX — INTERPRETATIONS VOLS. 12-60

Location	Interpretation	File No.	Page No.	Location	Interpretation	File No.	Page No.
<b>Part PG (Cont'd)</b>				<b>Part PG (Cont'd)</b>			
PG-61.5	I-01-10	BC01-619	393	PG-79	I-89-15	BC88-406	171
PG-67	I-83-04	BC80-412	8	PG-80	I-92-47	BC92-293	258
	I-83-62	BC83-258	50		I-04-37	BC04-1687	438
	I-86-15	BC85-128	109	PG-90	I-04-23	BC04-909	428
	I-86-35	BC86-239	129	PG-90.3	I-98-45	BC00-154	379
	I-89-18	BC89-023	177	PG-91	I-86-24	BC86-230	114
	I-89-54	BC90-301	204	PG-99	I-83-11	BC82-356	12
	I-92-33	BC92-139	248		I-83-75	BC83-130	62
	I-95-05	BC94-021	305		I-86-01	BC83-446	99
	I-98-10	BC97-453	350		I-86-42	BC86-066	132
	I-98-16	BC98-191	358		I-86-69	BC87-401	153
PG-67.1	I-04-01	BC02-4146	418		I-89-19	BC89-025	178
PG-67.2	I-86-75	BC85-458B	155		I-89-21	BC88-058	178
	I-89-45	BC89-350	194		I-89-58	BC90-416	206
	I-95-15	BC95-076	309		I-92-56	BC92-398	262
PG-67.2.1	I-01-06R	BC02-3419	417		I-92-73	BC93-390	277
PG-67.2.6	I-04-06	BC03-988	419		I-95-24	BC95-453	317
	I-07-05	BC07-518	443		I-95-27	BC95-499	323
PG-67.3	I-83-18	BC82-362	14		I-01-28	BC02-3959	406
	I-83-86	BC83-577	67		I-10-05	09-1017	454
	I-98-46	BC00-241	380	PG-99.1	I-98-07	BC97-206	349
	I-04-25	BC04-1057	429		I-01-39	BC02-3424	417
PG-67.4.1	I-83-94	BC82-724	77	PG-99.2	I-98-07	BC97-206	349
	I-04-14	BC04-225	425	PG-99.3	I-89-68	BC90-606	220
PG-68	I-83-108	BC83-547	89	PG-99.4.1	I-01-39	BC02-3424	417
	I-89-52	BC89-020	203	PG-99.4.2	I-92-52	BC92-401	260
PG-68.2	I-98-46	BC00-241	380		I-92-74	BC93-395	278
PG-68.3	I-07-03	06-567	443	PG-101.1.1	I-95-39	BC96-460	338
PG-68.4	I-95-36	BC96-455	337	PG-104	I-83-105	BC84-218	82
PG-69	I-86-23	BC85-489	113		I-86-13	BC85-501	104
	I-86-15	BC85-128	109		I-86-32	BC85-614	123
PG-70	I-83-69	BC83-348	54		I-86-33	BC86-065	123
	I-89-45	BC89-350	194		I-86-57	BC87-064	143
PG-71	I-83-104	BC84-100	81		I-89-51	BC85-613	203
	I-86-15	BC85-128	109		I-92-05	BC91-294	231
	I-07-03	06-567	443		I-92-12	BC91-431	234
PG-71.1	I-98-21	BC98-577	364		I-92-39	BC92-256	255
PG-71.3	I-83-78	BC83-440	63		I-92-48	BC92-294	259
PG-72	I-89-109	BC82-025	90		I-92-92	BC94-199	291
	I-89-01	BC87-181	165		I-95-17	BC95-408	315
PG-72.2	I-83-31	BC82-615	20		I-04-23	BC04-909	428
PG-73	I-83-62	BC83-258	50	PG-104.1	I-98-45	BC00-154	379
	I-89-01	BC87-181	165		I-01-07	BC01-394	389
	I-98-31	BC99-469	373		I-01-37	BC02-3965	413
PG-73.2.2	I-92-01	BC90-187	229		I-04-29	BC05-634	433
	I-92-81	BC93-538	281	PG-104.2	I-01-13	BC01-663	394
PG-73.3	I-92-81	BC93-559	281	PG-105	I-83-105	BC84-218	82
PG-73.3.3	I-83-97	BC83-391	78	PG-105.2	I-98-30	BC96-128	368
	I-83-102	BC83-223A	80		I-04-29	BC05-634	433
PG-73.3.4	I-86-29	BC85-155A	116	PG-105.4	I-86-16	BC85-185	110
	I-98-02	BC96-365	357		I-92-91	BC94-059	290
PG-73.4.1	I-92-80	BC93-500	281	PG-105.5	I-01-03	BC00-515	384
PG-73.4.2	I-98-46	BC00-241	380	PG-106	I-83-42	BC82-414	33
	I-01-04	BC00-462	385		I-83-4263	BC82-252	50
	I-00-16	BC00-241	381		I-86-67	BC86-276	152
	I-04-16	BC03-1281	426		I-89-20	BC87-213	178
PG-73.6.3	I-04-24	BC04-1059	428		I-89-42	BC89-346	193
PG-75	I-98-04	BC97-429	358		I-92-43	BC92-300	257
PG-78	I-86-68	BC87-400	152		I-95-14	BC94-719	309
	I-89-38	BC88-148	192		I-95-30	BC95-498A	325
	I-89-41	BC89-344	193		I-98-09	BC97-428	350

SECTION I — CUMULATIVE INDEX — INTERPRETATIONS VOLS. 12-60

Location	Interpretation	File No.	Page No.	Location	Interpretation	File No.	Page No.
<b>Part PG (Cont'd)</b>				<b>Part PR</b>			
PG-106 (Cont'd)				PR-16.1	I-86-59	BC87-142	144
	I-98-29	BC99-274	367				
	I-04-23	BC04-909	428				
PG-106.5	I-95-21	BC95-250	316	<b>Preamble/ Introduction</b>	I-81-02R	BC79-381*	6
PG-106.7	I-07-01	BC05-1278	439		I-83-37	BC79-780	30
PG-106.8	I-92-46	BC92-257	258		I-83-60	BC83-153	49
	I-98-43	BC00-092	378		I-83-55	BC82-371	46
	I-01-18	BC02-2201	399		I-83-71	BC82-058	55
	I-01-36	BC02-3427	412		I-83-80	BC83-216	64
PG-106.8.1	I-10-05	09-1017	454		I-83-85	BC83-576	66
PG-107	I-04-23	BC04-909	428		I-83-107	BC84-229	89
	I-04-29	BC05-634	433		I-83-112	BC85-064	91
PG-107.2	I-86-57	BC87-064	143		I-86-45	BC86-454	133
	I-89-07	BC88-180	168		I-86-52	BC86-319	137
PG-108	I-83-84	BC83-573	66		I-86-65	BC84-023A	151
PG-109	I-83-06	BC80-443	9		I-89-40	BC89-110	193
	I-83-68	BC83-347	54		I-89-65	BC90-609	213
	I-83-56	BC82-439	47		I-92-20	BC91-537	243
	I-83-113	BC84-168	92		I-95-28	BC95-243	324
	I-92-04	BC91-284	230		I-98-12	BC97-540	351
PG-109.1	I-86-38	BC85-006	130		I-04-18	BC04-475	426
	I-10-08	09-1780	455				
PG-109.2	I-92-72	BC93-389	277	<b>Part PVG</b>			
PG-109.3	I-92-30	BC92-141	247	PVG-1	I-81-02R	BC79-381*	6
	I-01-17	BC02-109	398	PVG-12.5	I-92-42	BC92-281	256
PG-109.4	I-98-37	BC99-369	376				
PG-110	I-83-62	BC83-258	50	<b>Part PW</b>			
	I-92-38	BC92-324	254	PW-1.2	I-86-66	BC85-094A	152
	I-01-16	BC02-108	398		I-89-50	BC88-426A	202
PG-111	I-83-42	BC82-414	33		I-95-29	BC95-482(a)	324
	I-89-42	BC89-346	193		I-01-24	BC02-3539	404
PG-112	I-83-82	BC83-327	65	PW-5.4	I-01-15	BC01-718	397
	I-83-22	BC82-620	16	PW-5.6	I-92-41	BC92-260	256
	I-83-16	BC82-233	14	PW-9	I-83-72	BC82-791	55
	I-83-57	BC82-886	47		I-86-11	BC85-299	103
	I-83-56	BC82-439	47		I-98-40	BC99-590	377
	I-86-13	BC85-501	103		I-01-05	BC01-037	389
	I-86-49	BC86-126	135	PW-9.2	I-92-75	BC93-528,	278
	I-92-11	BC91-420	234			BC93-529	
	I-98-09	BC97-428	350	PW-9.3	I-04-05	BC03-335	419
	I-98-18	BC98-372	363	PW-10	I-98-05	BC97-430	358
	I-98-35	BC99-461	375	PW-11	I-86-40	BC85-611,	131
	I-01-37	BC02-3965	413			BC86-128	
	I-10-02	09-336	453			BC86-243	155
PG-112.2.2	I-92-87	BC93-774	284			BC88-393	171
	I-92-70	BC93-385	276			BC90-347	211
PG-112.2.4	I-04-30	BC05-788	434			BC98-529*	383
PG-112.2.4(3)	I-98-45	BC00-154	379			BC99-227	367
PG-112.2.5	I-92-30	BC92-141	247			BC02-2201	399
	I-01-14	BC01-709	397			07-2014	448
PG-113	I-89-70	BC88-180	168	PW-11.2	I-92-26	BC92-015	245
	I-89-74	BC91-182	223	PW-12	I-01-15	BC01-718	397
	I-01-37	BC02-3965	413		I-04-29	BC05-634	433
PG-113.4	I-04-21	BC04-125	427	PW-15	I-86-78	BC86-274	156
					I-89-31	BC89-219	188
<b>Part PMB</b>					I-89-32	BC89-220	188
PMB-2	I-83-49	BC81-678	43		I-92-71	BC93-386	276
PMB-5	I-86-79	BC87-373	156		I-95-01	BC93-707	299
PMB-11	I-83-76	BC83-333	62	PW-16	I-01-12	BC01-628	394
PMB-13	I-92-51	BC92-400	260		I-04-07	BC03-1260	420
PMB-17	I-92-25	BC91-624	245				

## SECTION I — CUMULATIVE INDEX — INTERPRETATIONS VOLS. 12-60

Location	Interpretation	File No.	Page No.	Location	Interpretation	File No.	Page No.
<b>Part PW (Cont'd)</b>				<b>Part PW (Cont'd)</b>			
Fig. PW-16	I-89-71	BC90-866	221	PW-39.3	I-10-01	09-97	453
	I-92-86	BC93-709	284	PW-40.1	I-92-10	BC191-286	233
Fig. PW-16.1(a)	I-01-26	BC02-3547	405	PW-41	I-83-36	BC82-868	29
Fig. PW-16.1(z)	I-83-08R	BC77-783*	61		I-86-28	BC85-154	116
	I-92-95	BC94-194	292		I-89-17	BC89-021	177
	I-95-32	BC96-145	331		I-92-60	BC93-045	264
	I-95-33	BC96-366	331		I-98-20R	BC98-529*	383
	I-98-01	BC97-204	357		I-98-40	BC99-590	377
PW-16.6	I-01-34	BC01-855	411		I-01-18	BC02-2201	399
PW-19	I-89-05	BC88-152	167	PW-41.1	I-92-35	BC91-549	253
	I-89-24	BC88-020	185	PW-41.1.1	I-92-77	BC93-530	279
	I-95-20	BC95-249	316	PW-41.2.1	I-98-41	BC99-591	377
PW-19.2	I-04-22	BC04-735	428	PW-41.2.2	I-92-54	BC91-621	261
PW-27	I-83-45	BC80-038A	34		I-92-75	BC93-528,	278
PW-27.2	I-95-12	BC94-644	308			BC93-529	
PW-28	I-83-52	BC82-769	45	PW-41.2.3	I-98-11	BC97-484	350
	I-86-71	BC87-404	153	PW-42	I-89-06	BC88-159	167
	I-89-08	BC88-227	168	PW-51	I-83-15	BC81-685A	13
	I-89-25	BC88-147	186		I-83-28	BC82-343,	19
	I-89-50	BC88-426A	202			BC82-418	
PW-28.1	I-92-78	BC93-535	280		I-83-44	BC82-754A	34
PW-28.1.2	I-92-17	BC91-536	237		I-83-59	BC83-118	48
	I-95-09	BC94-498	306		I-83-79	BC83-525	64
	I-98-39R	BC01-154*	393		I-86-48	BC84-216	135
PW-28.1.3	I-95-29	BC95-482(a)	324		I-86-74	BC84-216A	154
PW-28.4	I-01-23	BC02-3466	404	PW-51.1	I-04-04	BC03-538	419
PW-28.5	I-92-09	BC91-285	233	PW-51.3.2	I-98-13	BC98-157	351
PW-31	I-83-46	BC80-173	35	PW-51.3.3	I-83-34	BC82-712	28
PW-33	I-92-36	BC91-558	254	PW-51.4	I-86-47	BC86-502	134
	I-92-94	BC93-707	292		I-92-22	BC91-620	244
	I-95-01	BC93-707	299		I-01-32	BC02-4057	408
PW-35	I-98-41	BC99-591	377	PW-51.5	I-98-06	BC96-454	349
PW-35.1	I-92-84	BC93-681	283		I-01-35	BC02-143	412
PW-35.3	I-98-40	BC99-590	377		I-04-10	BC02-3587	420
PW-36.2	I-01-21	BC02-112A	403	PW-52	I-83-44	BC82-754A	34
PW-39	I-83-66	BC83-116	53	PW-52.2	I-92-22	BC91-620	244
	I-86-36	BC86-318	129	PW-52.3	I-83-10	BC85-234	102
	I-95-11	BC94-642	307	PW-52.4	I-98-06	BC96-454	349
	I-98-42	BC99-554	377		I-01-35	BC02-143	412
	I-01-09R	BC01-376	403		I-04-04	BC03-538	419
Table PW-39	I-83-20	BC82-351	15		I-04-11	BC02-3587	421
	I-86-20	BC85-450	112	PW-53	I-86-53	BC86-461	137
	I-86-55	BC86-128A	143	PW-53.7	I-01-38	BC02-2805	417
	I-86-58	BC87-100	144	PW-53.8.4	I-01-38	BC02-2805	417
	I-89-03	BC88-149	166	PW-54	I-89-22	BC88-232	179
	I-89-14	BC88-293	171	PW-54.1	I-01-11	BC01-621	394
	I-89-37	BC87-212	191		I-10-05	09-1017	454
	I-92-23	BC91-622	244				
	I-92-85	BC93-708	283	<b>Part PWT</b>			
	I-92-77	BC93-531	279	PWT-11	I-04-20	BC03-1842	427
	I-92-29	BC92-017A	247	Fig. PWT-11	I-04-20	BC03-1842	427
	I-92-61	BC93-046	264	PWT-11.1	I-98-38	BC99-224	376
	I-92-62	BC93-047	264	PWT-11.2	I-83-90	BC84-196	74
	I-95-31	BC96-185	325		I-86-82	BC88-040	157
	I-01-29	BC02-4028	407		I-89-32	BC89-220	188
	I-01-09R	BC01-376	403	PWT-14	I-92-16	BC91-535	236
PW-39.2	I-83-10	BC80-694	11	PWT-15	I-92-16	BC91-535	236

# SUBJECT INDEX

Subject	Interpretation	File No.	Page No.	Subject	Interpretation	File No.	Page No.
<b>Addenda</b>				<b>Boiler Drum</b>			
applicable dates	I-83-88	BC82-869	73	definition	I-86-15	BC85-128	109
	I-83-93	BC82-270A	76		I-92-20	BC91-537	243
	I-01-37	BC02-3965	413	safety valves	I-83-18	BC82-362	14
code certification	I-01-13	BC01-663	394	tube attachments	I-83-20	BC82-351	15
				tube holes	I-89-15	BC88-406	171
				water level indicator	I-04-31	BC05-1036	434
<b>Alignment</b>				<b>Boiler External Piping</b>			
tolerance	I-92-36	BC91-558	254	blowoff/blowdown	I-83-14	BC81-708	13
	I-92-94	BC93-707	292		I-83-43R	BC83-088*	33
	I-95-01	BC93-707	299		I-95-23	BC95-451	317
				documentation	I-92-72	BC93-389	277
<b>Allowable Stresses</b>				fabrication/examination	I-83-29	BC82-438,	19
establishment	I-89-30	BC89-216	187			BC82-505	
residual stresses	I-83-05	BC79-774	9		I-83-56	BC82-439	47
					I-83-64R	BC82-810*	88
					I-83-68	BC83-347	54
<b>ASME Marking</b>				installation	I-83-06	BC80-443	9
use of	I-83-106	BC84-217	88		I-98-36	BC99-552	375
				joined by mechanical means	I-86-38	BC85-006	130
<b>Assembler</b>					I-86-57	BC87-064	143
by mechanical means	I-87-57	BC87-064	143	jurisdictional limits	I-83-110	BC84-099	90
scope of activity	I-86-29	BC85-155A	116		I-86-46	BC86-473	134
testing by	I-01-04	BC00-462	385		I-86-65	BC84-023A	151
transfer of pressure relief valve parts	I-98-02	BC96-365	357		I-86-80	BC87-402	156
					I-89-13	BC88-154	170
					I-92-20	BC91-537	243
<b>Attachments</b>				manufacture after the original boiler contract date	I-04-21	BC04-125	427
nozzle-to-header	I-92-95	BC94-194	292	mechanically assembled	I-92-55	BC92-014	261
nozzle, tube, other connections	I-98-01	BC97-204	357	painting of	I-86-69	BC87-401	153
weld size calculation	I-04-36	BC06-0188	437	threaded joints	I-83-25	BC82-267	17
				<b>Boiler Parts</b>			
<b>Attemperators</b>				data reports	I-86-33	BC86-065	123
jurisdiction	I-89-28	BC89-024	187	nameplates	I-86-32	BC85-614	123
				replacement	I-86-73	BC87-483	154
<b>Authorized Inspector</b>				<b>Boiler Proper</b>			
agency of record	I-86-24	BC86-230	114	piping	I-92-30	BC92-141	247
signing off	I-77-28R	BC75-286*	5		I-95-25	BC95-495	323
	I-83-57	BC82-886	47				
				<b>Brazing</b>			
<b>Bend Tests</b>				electric heaters	I-89-44	BC89-349	194
ERW pipe	I-92-68	BC93-152(a)	275	<b>Bursting Test</b>			
				tensile strength	I-92-93	BC93-562	291
<b>Blowoff/Blowdown</b>							
automatic	I-83-14	BC81-708	13				
rapid drain systems	I-89-36	BC89-316	191				
sizing	I-83-43R	BC83-088*	33				
valves	I-83-53	BC83-247	45				
	I-86-22	BC86-064	112				

## SECTION I — CUMULATIVE INDEX — INTERPRETATIONS VOLS. 12-60

Subject	Interpretation	File No.	Page No.	Subject	Interpretation	File No.	Page No.
<b>Certificates of Authorization</b>				<b>Compensation</b>			
certificate	I-92-12	BC91-431	234	attachment welds	I-86-78	BC86-274	156
	I-01-03	BC00-515	384	calculations	I-89-71	BC90-866	221
for materials	I-92-05	BC91-294	231		I-07-13	08-1561	450
locations designated on	I-98-30	BC96-128	368	definition of $t_e$	I-01-01	BC00-413	383
“PP”	I-01-17	BC02-109	398	hillside connections	I-89-35	BC89-286	190
relocation of certificate holder	I-95-10	BC93-500	307	welding openings	I-92-88	BC94-015	289
renewal	I-86-16	BC85-185	110				
“S,” “M,” and “E”	I-86-70	BC87-403	153	<b>Concavities</b>			
welding	I-92-22	BC91-620	244	weld face	I-92-54	BC91-621	261
<b>Certification Requirements</b>				<b>Corrosion</b>			
boiler piping	I-92-39	BC92-256	255	allowance	I-89-33	BC89-254	189
requirements for proper certification	I-01-07	BC01-394	389		I-92-20	BC91-537	243
	I-04-23	BC04-909	428	coating	I-92-01	BC90-187	229
<b>Circular Furnaces</b>				<b>Data Report Forms</b>			
materials	I-92-64	BC93-152	265		I-83-16	BC82-233	14
<b>Cleaning Devices (See Coil-Type Boilers)</b>					I-83-22	BC82-620	16
<b>Code Cases</b>					I-83-48R-2	BC80-258**	87
1855	I-04-34	BC05-1575	437		I-83-56	BC82-439	47
1924-1	I-04-31	BC05-1036	434		I-83-57	BC82-886	47
2192-6	I-10-06	09-1087	454		I-86-03	BC84-413	99
2235-3	I-04-27	BC04-1643	433		I-86-13	BC85-501	104
2235-9	I-07-10	08-1481	448		I-86-33	BC86-065	123
	I-07-12	08-1424	449		I-86-80	BC87-402	156
	I-10-03	09-880	453		I-89-07	BC88-180	168
<b>Code Certification</b>					I-89-16	BC89-019	177
to earlier editions and addenda of the Code	I-01-13	BC01-663	394		I-89-27	BC88-417	186
<b>Code Responsibility</b>					I-89-34	BC89-274	190
design calculations	I-92-48	BC92-294	259		I-89-51	BC85-613	203
	I-98-45	BC00-154	379		I-89-74	BC91-182	223
<b>Code Symbol Stamps</b>					I-98-17	BC98-371	363
assembly	I-83-84	BC83-573	66		I-01-14	BC01-709	397
boilers	I-83-48R	BC80-258*	43		I-04-30	BC05-788	434
	I-83-58	BC83-061	47		I-10-02	09-336	453
	I-95-30	BC95-498A	325	for BEP	I-92-30	BC92-141	247
boiler external piping	I-83-06	BC80-443	9	Manufacturer	I-92-11	BC91-420	234
	I-83-56	BC82-439	47		I-98-35	BC99-461	375
	I-83-68	BC83-347	54		I-98-45	BC00-154	379
	I-83-105	BC84-218	82	master	I-92-19	BC91-533	238
electric boilers	I-83-26	BC80-641	18		I-04-34	BC05-1575	437
	I-83-38	BC82-493	31	minimum thickness	I-92-58	BC93-042	263
materials	I-89-72	BC91-059	222	multiple pressure unit	I-92-87	BC93-774	284
nameplates	I-83-42	BC82-414	33	safety valve manufacturer	I-04-24	BC04-1059	428
	I-83-63	BC82-252	50	<b>Definitions</b>			
<b>Coil-Type Boilers</b>				$t_s$	I-01-18	BC02-2201	399
exemptions	I-83-17	BC82-355	14	calculations	I-92-48	BC92-294	259
	I-86-39	BC85-511	131	compressive stresses in water tubes	I-86-51	BC86-314	136
<b>Common Headers</b>				creep fatigue interaction	I-04-28	BC05-452	433
pressure reducing valves	I-92-90	BC94-019	290	creep range	I-83-115	BC84-314	93
				distance between adjacent welds	I-01-05	BC01-037	389
				hemispherical heads	I-86-41	BC85-616	132
				ligament	I-04-26	BC04-1554	429
				not covered by Section I	I-83-112	BC85-064	91
				occasional loads	I-83-02	BC80-346	7
				openings	I-92-65	BC93-381	266



## SECTION I — CUMULATIVE INDEX — INTERPRETATIONS VOLS. 12-60

Subject	Interpretation	File No.	Page No.	Subject	Interpretation	File No.	Page No.
<b>Definitions (Cont'd)</b>				<b>Evaporator/Heat Exchanger</b>			
per Section VIII, Division 1	I-81-02R	BC79-381*	6	classification	I-83-87	BC82-732	73
	I-83-07	BC77-762	10	electric	I-83-30	BC82-554A	20
	I-83-30	BC82-554A	20	jurisdiction	I-83-74	BC82-553	61
	I-83-37	BC79-780	30				
	I-83-50	BC83-026	44	<b>Expansion Joints</b>			
	I-83-71	BC82-058	55	use of	I-89-70	BC90-513	221
	I-83-78	BC83-449	63				
	I-04-33	BC05-1099	434	<b>External Piping</b>			
per Section VIII, Division 2	I-83-114	BC84-195	92	outlets	I-92-07	BC91-422	232
responsibility	I-86-13	BC85-501	103		I-98-36	BC99-552	375
semiellipsoidal heads	I-86-64	BC87-210	146				
tapered transitions	I-83-19	BC82-251	15	<b>External Pressure</b>			
	I-83-72	BC82-791	55	charts	I-89-29	BC89-212	187
unflanged, flat stayed heads	I-86-34	BC83-659	129				
				<b>Feedwater</b>			
<b>Dished Heads</b>				flow rate	I-98-25	BC99-225C	366
welding	I-98-32	BC99-229	373	heaters	I-83-74	BC82-553	61
					I-86-52	BC86-319	137
					I-07-14	09-153	453
<b>Drains</b>				introduction of	I-95-23	BC95-451	317
forced flow steam generators	I-83-98	BC83-668	79	piping	I-83-76	BC83-333	62
requirements	I-92-27	BC92-016	246		I-86-18	BC85-278	111
	I-98-36	BC99-552	375		I-89-13	BC88-154	170
					I-01-30	BC02-4032	407
<b>Drums</b>					I-01-31	BC02-4033	408
attachment	I-01-12	BC01-628	394	pressure	I-89-67	BC90-782	219
design temperature	I-86-87	BC88-064	159	pumps	I-83-03	BC80-309	8
longitudinal welds	I-89-43	BC89-347	194		I-83-54	BC81-349	46
maximum allowable working	I-95-35	BC96-184	337		I-83-77	BC83-436	63
pressure					I-86-62	BC87-207,	146
maximum required thickness	I-95-35	BC96-184	337			BC87-256,	
						BC87-257	
					I-89-66	BC90-428	219
					I-01-10	BC01-619	393
<b>Economizers</b>				supply	I-89-57	BC90-415	206
built to Section VIII, Div. 1	I-04-18	BC04-475	426		I-95-22	BC95-445	317
direct firing	I-86-75	BC85-458B	155	<b>Firetube Boilers</b>			
draining	I-92-27	BC92-016	246	attachment of tubes	I-86-04	BC85-062	100
location of stamping	I-89-42	BC89-346	193		I-01-20	BC02-2696	400
	I-95-21	BC95-250	316		I-07-06	07-2005	447
piping for	I-89-13	BC88-154	170	cracks in tube beads	I-86-08	BC84-568	101
safety valves	I-83-86	BC85-577	67	design	I-83-19	BC82-251	15
	I-92-33	BC92-139	248		I-83-41	BC82-656	32
	I-07-05	07-518	443	furnaces	I-83-21	BC82-503	15
					I-83-67	BC83-343	53
					I-89-23	BC88-019	185
<b>Electric Boilers</b>				heating surface computation	I-95-39	BC96-460	338
completion of Data Report	I-83-82	BC83-327	65	staying segments of heads	I-95-34	BC96-524	331
Forms				tube welds	I-83-51	BC83-148	44
design to Section VIII, Div. 1	I-83-30	BC82-554A	20		I-95-26	BC95-497	323
	I-83-50	BC83-026	44	<b>Flanges/Fittings</b>			
	I-83-81	BC83-228	65	acceptability	I-92-97	BC94-300	293
	I-86-30	BC85-547	117		I-10-07	09-1496	454
feedwater	I-83-76	BC83-333	62	design	I-83-07	BC77-762	10
limitations	I-83-27	BC82-177	18	MAWP	I-83-24	BC82-266	17
miniature	I-83-49	BC81-678	43	P-T ratings	I-83-24	BC82-266	17
operating at 15 psi	I-86-45	BC86-454	133		I-83-29	BC82-504	31
stamping	I-83-26	BC80-641	18		I-89-02	BC88-059	165
				socket welding in BEP	I-86-80	BC87-402	156
<b>Ellipsoidal Heads</b>				special class	I-92-28	BC92-048	246
compensation	I-92-88	BC94-015	289				

## SECTION I — CUMULATIVE INDEX — INTERPRETATIONS VOLS. 12-60

Subject	Interpretation	File No.	Page No.	Subject	Interpretation	File No.	Page No.
<b>Flow Measurement Devices</b>	I-04-03	BC03-481	418	<b>Heat Recovery Steam Generators</b>			
<b>Forced Circulation Boilers</b>				piping for	I-89-13	BC88-154	170
pressure zones	I-83-11	BC82-356	12	<b>Hydrostatic Test</b>			
<b>Furnaces</b>	I-04-17	BC04-406	426	after insulation	I-86-01	BC83-446	99
corrugates	I-86-53	BC86-461	137		I-89-21	BC88-058	178
gases	I-86-28	BC85-154	116	boiler external piping	I-83-64	BC82-810	51
stayed	I-83-99	BC84-372	79		I-92-73	BC93-390	277
<b>Fusible Plugs</b>				boiler parts	I-10-05	09-1017	454
requirements	I-89-61	BC90-512	211	boiler with mechanically assembled BEP	I-95-24	BC95-453	317
<b>Gage Glasses</b>					I-01-28	BC02-3959	406
alternatives to	I-92-50	BC92-397	259	completed boiler	I-89-51	BC85-613	203
	I-92-51	BC92-400	260		I-95-27	BC95-499	323
	I-98-14	BC98-158	351	forced circulation boilers	I-83-11	BC82-356	12
connection to boiler	I-04-12	BC03-1730	425	gages	I-89-58	BC90-416	206
design	I-04-38	BC06-0087	438		I-92-52	BC92-401	260
gage cocks	I-83-40	BC82-558	31		I-92-74	BC93-395	278
level indicators	I-83-13	BC82-179	13	location	I-01-11	BC01-621	394
	I-86-02	BC84-407	99	maximum test pressure	I-83-75	BC83-130	62
	I-86-50	BC86-129	136	pneumatic pressurization	I-86-42	BC86-066	132
	I-89-53	BC89-266	204	pressure measurement	I-01-39	BC02-3424	417
	I-89-73	BC91-173	222	procedure	I-89-19	BC89-025	178
	I-92-15	BC91-534	236	purpose of	I-98-07	BC97-206	349
	I-92-63	BC93-132	265	steam generators	I-89-68	BC90-606	220
	I-95-07	BC94-450	305	temperature	I-83-92	BC84-097	76
	I-01-22	BC97-209,	404	valve leakage	I-92-56	BC92-398	262
		BC01-235		<b>Inspection</b>			
	I-01-25	BC02-3540	405	openings	I-92-57	BC92-442	262
light source	I-07-08	07-1821	448		I-01-02	BC00-513	384
low-water	I-92-25	BC91-624	245	<b>Joint Efficiency</b>			
	I-92-66	BC93-387	266	pressure parts	I-83-96	BC83-145	78
magnetic	I-92-69	BC93-382	275	<b>Joints</b>			
	I-92-96	BC94-196	293	circumferential	I-92-35	BC91-549	253
materials for water columns	I-86-07	BC83-574	101		I-98-40	BC99-590	377
	I-89-56	BC90-414	101	<b>Ligaments</b>			
	I-89-56	BC90-414	205	circumferential	I-98-15	BC98-160	352
on electric boilers	I-83-50	BC83-026	44	design	I-04-26	BC04-1554	429
shutoff valves	I-83-103	BC83-647	81	efficiency	I-89-47	BC89-070	201
use of isolation and drain valve	I-04-13	BC03-1731	425		I-89-48	BC89-348	201
welding requirements	I-89-06	BC88-159	167		I-89-49	BC90-007	202
<b>Heads</b>					I-92-70	BC93-385	276
flat type	I-86-86	BC88-061	158		I-95-06	BC94-449	305
full hemispherical	I-95-13	BC94-647	308		I-04-08	BC03-1262	420
welding to shells	I-89-46	BC89-354	195	<b>Limits</b>			
<b>Headers</b>				stress or strain	I-98-04	BC97-429	358
design temperature	I-86-87	BC88-064	159	<b>Loads</b>			
materials	I-89-41	BC89-344	193	average stress	I-07-07	07-1664	447
thickness of	I-95-31	BC96-185	325	occasional	I-86-61	BC87-182	145
	I-95-35	BC96-184	337	<b>Manholes</b>			
tube attachments	I-83-20	BC82-351	15	compensation	I-92-88	BC94-015	289
	I-89-32	BC89-220	188	cover	I-92-24	BC91-623	245
	I-92-29	BC92-017A	247				
welded header	I-04-37	BC04-1687	438				
welded nozzles	I-83-08R	BC77-783*	61				
	I-89-31	BC89-219	188				
	I-95-32	BC96-145	331				
	I-95-33	BC96-366	331				

## SECTION I — CUMULATIVE INDEX — INTERPRETATIONS VOLS. 12-60

Subject	Interpretation	File No.	Page No.	Subject	Interpretation	File No.	Page No.
<b>Manufacturer</b>				<b>Miniature Boilers</b>			
definition	I-92-22	BC91-620	244	blowoff and drain requirements	I-01-27	BC02-3624	406
testing by	I-01-04	BC00-462	385	building	I-92-43	BC92-300	257
liability	I-04-29	BC05-634	433	electric	I-83-49	BC81-678	43
				thickness	I-86-79	BC87-323	156
				valves	I-86-63	BC87-208	146
<b>Markings</b>				<b>Multiple Openings</b>			
nonpressure parts	I-92-83	BC93-625	282	compensation	I-89-69	BC91-058	220
					I-95-19	BC95-248	316
					I-95-37	BC96-457	337
				ligaments	I-92-13	BC91-531	235
<b>Materials</b>				<b>Nameplates</b>			
castings	I-83-71	BC82-058	55	boiler parts	I-86-32	BC85-614	123
certification	I-10-04	09-19	454	economizer	I-86-75	BC85-458B	155
cleanings	I-89-55	BC90-413	205		I-95-21	BC95-250	316
cold forming	I-04-02	BC03-284	418	information contained on	I-86-67	BC86-276	152
deletion of	I-83-100	BC84-427	79				
dual marked	I-89-11	BC87-007A	169	<b>Nondestructive Examination</b>			
ERW Pipe	I-92-64	BC93-152	265	of butt welds	I-98-20R	BC98-529*	383
	I-92-68	BC93-152(a)	275	personnel certification	I-01-35	BC02-143	412
	I-92-82	BC93-582	282		I-04-09	BC03-1360	420
for flow measurement devices	I-04-03	BC03-481	418	personnel qualification	I-83-29	BC82-438,	19
for furnaces	I-83-21	BC82-503	15			BC82-505	
for level indicator	I-04-31	BC05-1036	434		I-83-44	BC82-754A	34
	I-04-32	BC05-1037	434		I-86-06	BC83-535A	100
	I-04-35	BC06-0128	437		I-86-74	BC84-216A	154
for RT plugs	I-89-10	BC88-229	169	personnel requalification	I-98-06	BC96-454	349
for shells	I-86-56	BC87-053	143		I-86-48	BC84-216	135
for stays	I-92-53	BC92-402	260		I-04-11	BC02-3587	421
for supports	I-92-67	BC93-437	266	prior to PWHT	I-89-14	BC88-393	171
galvanized	I-92-18	BC91-577	237	qualification standard	I-04-04	BC03-538	419
identification	I-83-32	BC82-353	27	requirements	I-01-18	BC02-2201	399
	I-95-08	BC94-451	306		I-04-19	BC04-639	427
not fully identified	I-86-72	BC87-410	154	welds in tubesheets	I-86-77	BC86-243	155
	I-86-84	BC88-018	158				
	I-89-72	BC91-059	222	<b>Nonpressure Parts</b>			
pipe	I-77-28R	BC75-286*	5	welds	I-83-52	BC82-769	45
properties	I-07-11	08-1564	449		I-89-22	BC88-232	179
recertification	I-92-49	BC92-396	259	<b>Nozzles</b>			
repair of defects	I-89-38	BC88-148	192	thickness	I-01-33	BC01-766	411
	I-89-41	BC89-344	193	to shell or header attachment	I-04-07	BC03-1260	420
requirements after fabrication	I-92-98	BC94-301	294	welded to drums	I-92-85	BC93-708	283
	I-95-03	BC94-448	300		I-95-32	BC96-145	331
stress values	I-98-22	BC98-578	365		I-95-33	BC96-366	331
tube	I-83-01	BC79-382	7	<b>Openings</b>			
	I-83-41	BC82-656	32	compensation	I-92-79	BC93-384	280
	I-86-56	BC87-053	143		I-92-88	BC94-015	289
transition in thickness	I-04-05	BC03-335	419		I-04-08	BC03-1262	420
unlisted	I-83-111	BC84-167	91		I-04-15	BC04-228	426
upgrading	I-92-06	BC91-418	231		I-07-13	08-1561	450
				definite pattern	I-92-14	BC91-532	235
					I-92-44	BC91-532R	257
<b>Maximum Allowable Working Pressure</b>				in headers	I-86-85	BC88-060	158
external pressure	I-83-41	BC82-656	32	in organic vapor generators	I-89-26	BC88-153	186
flanges and valves	I-83-24	BC82-266	17	inspection	I-92-57	BC92-442	262
forced circulation boilers	I-83-11	BC82-356	12		I-01-02	BC00-513	384
gage pressure	I-83-33	BC82-608	27	listing on Data Forms	I-83-22	BC82-260	16
subatmospheric	I-83-83	BC82-382	65	multiple	I-92-13	BC91-531	235
	I-86-44	BC86-248	133		I-92-34	BC91-531R	253
vs. safety valve set pressure	I-83-53	BC83-247	45	reinforcement	I-83-61	BC83-302	49
	I-89-18	BC89-023	177	tubesheets	I-86-83	BC88-016	157

## SECTION I — CUMULATIVE INDEX — INTERPRETATIONS VOLS. 12-60

Subject	Interpretation	File No.	Page No.	Subject	Interpretation	File No.	Page No.
<b>Operator</b>				<b>Pressure Parts</b>			
working area	I-89-12	BC87-215	170	documentation and stamping of materials	I-98-09 I-95-38	BC97-428 BC96-459	350 338
<b>Organic Fluid Heater</b>	I-95-16 I-07-04	BC95-072 06-1491	315 443	pressure containing replacement of thinned parts	I-92-40 I-98-12	BC92-258 BC97-540	255 351
<b>Organic Vapor Generators</b>				<b>Pressure Vessels</b>			
chemical processing systems	I-81-02R I-95-28	BC79-381* BC95-243	6 324	fired	I-81-02R	BC79-381*	6
inspection openings	I-89-26	BC88-153	186	minimum thread engagement Section VIII	I-92-89 I-92-59	BC94-016 BC93-043	289 263
use of rupture disks	I-83-78	BC83-449	63	<b>Proof Testing</b>			
<b>Piping</b>				flanges	I-86-27	BC85-072	115
bending of boiler proper	I-95-17 I-92-46 I-95-25	BC95-408 BC92-257 BC95-495	315 258 323	<b>Quality Control System</b>			
definition	I-83-47	BC79-501	41	demonstration	I-86-16	BC85-185	110
examination	I-83-29	BC82-438 BC82-505	19	manual	I-94-91	BC94-059	290
joined by mechanical means	I-86-38	BC85-006	130	materials	I-89-04	BC88-151	166
level indicator	I-95-18	BC95-244	315	organizational chart	I-89-64	BC90-608	212
materials	I-89-04	BC88-151	166	<b>Radiography</b>			
miscellaneous	I-86-16	BC82-233	14	acceptance standards	I-83-28	BC82-343, BC82-418	19
rapid drain system	I-89-36	BC89-316	191		I-83-34	BC82-712	28
safety valves	I-83-62	BC83-258	50		I-83-35	BC82-859	28
subassemblies	I-83-113	BC84-168	92		I-83-36	BC82-868	29
thickness equation	I-86-25	BC81-713, BC83-289, BC83-669, BC84-230	114		I-83-59	BC83-118	48
	I-95-35	BC96-184	337		I-83-73	BC83-299	61
	I-98-08	BC97-374	349		I-83-79	BC83-525	64
<b>Postweld Heat Treatment</b>					I-92-60	BC93-045	264
attachments	I-89-25 I-01-29	BC88-147 BC02-4028	186 407	electric boilers	I-86-26	BC84-647	115
electric boiler	I-01-09R	BC01-376*	403	ERW pipe	I-92-68	BC93-152(a)	275
exemptions	I-83-10 I-92-77 I-98-42	BC80-694 BC93-531 BC99-554	11 279 377	exemptions	I-86-28 I-89-17 I-89-39 I-92-60 I-92-76	BC85-154 BC89-021 BC89-105 BC93-045 BC93-530	116 177 192 264 279
helical fins	I-92-61 I-92-62 I-83-89 I-83-90 I-86-20 I-86-55 I-89-03	BC93-046 BC93-047 BC84-020 BC84-196 BC85-450 BC86-128A BC88-149	264 264 73 74 112 143 166	in lieu of	I-92-26 I-04-27 I-07-09	BC92-015 BC04-1643 07-2014	245 433 448
holding temperature of nozzles	I-83-66	BC83-116	53	of ERW pipe and tube	I-86-40	BC85-611, BC86-128	131
preheat	I-83-66	BC83-116	53	penetrameter selection	I-83-15	BC81-685A	13
requirements	I-92-29 I-98-05	BC92-017A BC97-430	247 358	plugs	I-89-10	BC88-229	169
tube attachments	I-83-20 I-86-58 I-89-03 I-89-37	BC82-351 BC87-100 BC88-149 BC87-212	15 144 166 191	retention of radiographs	I-86-47 I-01-32	BC86-502 BC02-4057	134 408
tubes welded to extruded headers	I-86-36	BC86-318	129	<b>References</b>			
				to Edition and Addenda	I-01-08	BC01-570	390
				<b>Reinforcement</b>			
				calculations	I-92-29 I-92-37 I-92-45	BC92-017A BC92-017A BC92-017A	247 254 257
				<b>Remote Level Indicators</b>			
				differential pressure drum display	I-95-04 I-92-63 I-92-96	BC94-454 BC93-132 BC94-196	300 265 293
				for boilers with greater than 400 MAWP	I-01-19	BC02-2114	399
				mounting of	I-98-19 I-98-23	BC98-374 BC99-225A	363 365

## SECTION I — CUMULATIVE INDEX — INTERPRETATIONS VOLS. 12-60

Subject	Interpretation	File No.	Page No.	Subject	Interpretation	File No.	Page No.
<b>Riveted Boilers</b>				<b>Seamless</b>			
lap seamed	I-86-59	BC87-142	144	pipes	I-92-47	BC92-293	258
<b>Rupture Disks</b>				<b>Section I Jurisdiction</b>			
use of	I-92-02	BC90-511	229	completion	I-92-92	BC94-199	291
<b>Safety Valves</b>				engine cooling systems	I-89-40	BC89-110	193
adjustments	I-83-97	BC83-391	78	exemptions	I-83-58	BC83-061	47
	I-89-01	BC87-181	165		I-83-74	BC82-553	61
assembly	I-86-29	BC85-155A	116		I-83-85	BC83-576	66
blowdown range	I-83-109	BC84-025	90	furnace skid rails	I-83-87	BC82-732	73
boiler drum	I-83-18	BC82-362	14	high-temperature water boilers	I-83-107	BC84-229	89
capacity	I-86-15	BC85-128	109	nonintegral superheater/economizer	I-83-80	BC83-216	64
	I-86-23	BC85-489	113		I-83-55	BC82-371	46
	I-89-18	BC89-023	177	organic vapor generators	I-81-02R	BC79-381*	6
	I-89-45	BC89-350	194		I-95-28	BC95-243	324
	I-89-52	BC89-020	203	solar boiler	I-86-65	BC84-023A	151
	I-95-15	BC95-076	309	subatmospheric chiller/heaters	I-86-05	BC85-186	100
	I-01-06R	BC02-3419	417		I-86-81	BC87-472	157
	I-04-06	BC03-988	419	turbine stop valves	I-83-65	BC83-062	52
coating	I-92-81	BC93-559	281	water level indicators	I-98-03	BC97-211	357
holder relocation	I-92-80	BC93-500	281				
	I-92-81	BC93-538	281	<b>Shell</b>			
in non-BEP	I-83-62	BC83-258	50	boiler shell	I-92-47	BC92-293	258
limiting MAWP	I-83-53	BC83-247	45	out of roundness	I-04-37	BC04-1687	438
location	I-83-108	BC83-547	89				
	I-89-52	BC89-020	203	<b>Stamping</b>			
mounting	I-83-104	BC84-100	81	boiler proper	I-92-46	BC92-257	258
	I-98-21	BC98-577	364		I-95-14	BC94-719	309
	I-98-37	BC99-369	376	Code stamping of pressure	I-92-04	BC91-284	230
	I-07-03	06-567	443	piping			
National Board Representative	I-83-102	BC83-223A	80	duplicate parts	I-83-101	BC83-229	80
pilot-operated	I-86-35	BC86-239	129	electric boilers	I-89-16	BC89-019	177
power-actuated	I-83-94	BC82-274	77	location	I-89-42	BC89-346	193
preheater	I-98-10	BC97-453	350	master stamping	I-92-92	BC94-199	291
reheater	I-89-52	BC89-020	203	maximum allowable working	I-01-18	BC02-2201	399
requirements	I-92-33	BC92-139	248	pressure (MAWP)			
	I-01-06R	BC02-3419	417	parts	I-01-36	BC02-3427	412
	I-04-14	BC04-225	425	parts manufactured and used by	I-86-49	BC86-126	135
	I-04-25	BC04-1057	429	one Manufacturer			
rupture disks	I-83-78	BC83-449	63	piping subassemblies	I-83-113	BC84-168	92
set pressure	I-83-31	BC82-615	20	safety valves	I-92-38	BC92-324	254
	I-83-86	BC83-577	67		I-01-18	BC02-2201	399
	I-89-01	BC87-181	165	stamping plates	I-86-67	BC86-276	152
	I-98-16	BC98-191	358		I-89-20	BC87-213	178
stamping	I-89-54	BC90-301	204		I-98-43	BC00-092	378
	I-92-38	BC92-324	254		I-07-01	BC05-1278	439
	I-01-16	BC02-108	398	unfired steam boiler	I-95-30	BC95-498A	325
superheater	I-83-04	BC80-412	8				
	I-83-18	BC82-362	14	<b>Staybolts</b>			
	I-83-69	BC83-348	54	requirement	I-98-33	BC99-462	374
	I-83-108	BC83-547	89	screwed	I-86-14	BC84-639	109
	I-86-15	BC85-128	109	solid welded	I-83-09	BC80-509	11
	I-98-46	BC00-241	380				
testing	I-86-23	BC85-489	113	<b>Stays</b>			
	I-98-31	BC99-469	373	area of	I-89-05	BC88-152	167
	I-01-04	BC00-462	385		I-95-20	BC95-249	316
	I-04-16	BC03-1281	426	attachment welds over the end	I-04-22	BC04-735	428
use of others	I-92-42	BC92-281	256	in locomotive boilers	I-04-10	BC03-1349	420
welded	I-86-31	BC85-615A	117	materials for	I-92-53	BC92-402	260
with device for additional closing force	I-95-05	BC94-021	305	welding of	I-89-24	BC88-020	185

## SECTION I — CUMULATIVE INDEX — INTERPRETATIONS VOLS. 12-60

Subject	Interpretation	File No.	Page No.	Subject	Interpretation	File No.	Page No.
<b>Steam Pressure Transmitter</b>				<b>Tubes (Cont'd)</b>			
connections for	I-98-24	BC99-225B	366	definition	I-83-47	BC79-501	41
<b>Superheaters</b>				design	I-83-115	BC84-314	93
attachments	I-83-60	BC83-153	49	extension	I-86-17	BC84-021	110
drains	I-83-70	BC83-583	54	fins	I-83-41	BC82-656	32
	I-92-27	BC92-016	246	for lowest permissible water level	I-92-21	BC91-541	243
electric	I-83-81	BC83-228	65		I-86-43	BC86-127	132
	I-86-30	BC85-547	117	holes, diameter	I-89-47	BC89-070	201
safety valves	I-83-04	BC80-412	8		I-89-48	BC89-348	201
	I-83-18	BC82-362	14		I-89-49	BC90-007	202
	I-83-69	BC83-348	54	holes, drilled	I-89-15	BC88-406	171
	I-86-15	BC85-128	109	PWHT	I-83-20	BC82-351	15
	I-98-46	BC00-241	380	stamping and marking	I-98-29	BC99-274	367
<b>Supports</b>				thickness	I-98-38	BC99-224	376
materials for	I-92-67	BC93-437	266	thickness equation	I-86-25	BC81-713, BC83-289, BC83-669, BC84-230	114
<b>Temperature</b>				wall reduction	I-98-28	BC99-228	367
design	I-86-57	BC88-064	159	welds	I-83-51	BC83-148	44
differentials	I-86-54	BC87-098	137	welds, dimensions	I-86-76	BC85-486	155
holding	I-95-11	BC94-642	307	<b>Ultrasonic Testing</b>			
mean wall	I-86-37	BC86-383	130	acceptance criteria	I-86-10	BC85-234	103
	I-98-26	BC99-226	366	examination	I-92-26	BC92-015	245
thermostat	I-92-25	BC91-624	245	in lieu of radiography	I-98-27	BC99-227	367
<b>Temporary Attachments</b>					I-07-10	08-1481	448
formed heads	I-86-19	BC85-282	111		I-07-12	08-1424	449
for radiography	I-83-35	BC82-859	28	<b>Unfired Steam Boilers</b>			
miniature boilers	I-86-79	BC87-323	156	definition	I-83-37	BC79-780	30
nominal wall	I-86-09	BC84-638	102	stamping	I-83-85	BC83-576	66
removal	I-83-12	BC81-428	12	<b>Valves</b>			
semiellipsoidal heads	I-86-64	BC87-210	146	blowoff	I-86-22	BC86-064	112
thickness equation	I-86-25	BC81-713, BC83-289, BC83-669, BC84-230	114	certification	I-86-21	BC85-462A	112
		BC88-228	169	design basis	I-83-91	BC80-685	75
tube		BC81-553	16	gage cocks	I-83-40	BC82-558	31
		BC83-153	49	isolation	I-86-12	BC85-462	103
		BC82-847	77		I-89-66	BC90-428	219
tubesheets		BC87-180	144		I-07-02	BC06-670	439
		BC88-016	157	leakage	I-92-56	BC92-398	262
<b>Test Specimen</b>				location	I-86-63	BC87-208	146
tensile test	I-01-38	BC02-2805	417	P-T ratings	I-83-24	BC82-266	17
<b>Thermal Fluid Heater</b>				relief valve capacity	I-04-01	BC02-4146	418
	I-07-04	06-1491	443	relieving capacity	I-95-36	BC96-455	337
<b>Thread Engagement</b>				stop	I-83-76	BC83-333	62
minimum	I-92-89	BC94-016	289	turbine	I-83-65	BC83-062	52
<b>Tolerances</b>				<b>Waste Heat Boilers</b>			
alignment	I-92-36	BC91-558	254	safety valve capacity	I-89-45	BC89-350	194
<b>Tubes</b>				<b>Water Columns (see Gage Glasses)</b>			
attachment	I-01-34	BC01-855	411	<b>Water Legs</b>			
bends	I-83-23	BC81-553	16	definition	I-92-08	BC90-867	232
connections to tubesheets	I-86-82	BC88-040	157				
	I-89-08	BC88-227	168				
cylindrical components	I-98-44	BC00-094	378				

SECTION I — CUMULATIVE INDEX — INTERPRETATIONS VOLS. 12-60

Subject	Interpretation	File No.	Page No.	Subject	Interpretation	File No.	Page No.
<b>Watertube Boilers</b>				<b>Welding (Cont'd)</b>			
expanding tube after seal welding	I-04-20	BC03-1842	427	overlay	I-98-18	BC98-372	363
<b>Welding</b>				pressure parts to nonpressure parts	I-89-22	BC88-232	179
bend tests	I-86-53	BC86-461	137	procedures	I-92-17	BC91-536	237
butt weld	I-98-41	BC99-591	377		I-98-39R	BC01-154*	393
butt welds in tubesheets	I-86-77	BC86-243	155	qualification	I-89-08	BC88-227	168
circumferential	I-92-23	BC91-622	244		I-89-50	BC88-426A	202
	I-92-41	BC92-260	256		I-92-09	BC91-285	233
	I-98-40	BC99-590	377		I-95-09	BC94-498	306
complete penetration	I-92-75	BC93-528,	278		I-95-29	BC95-482(a)	324
		BC93-529		qualification record	I-10-08	09-1780	455
concavity	I-83-86	BC82-868	29	reinforcement	I-01-23	BC02-3466	404
	I-83-59	BC83-118	48	repair welds	I-92-84	BC93-681	283
connections	I-92-16	BC91-535	236	replacement of reduced net section	I-86-68	BC87-400	152
	I-95-32	BC96-145	331		I-98-11	BC97-484	350
	I-95-33	BC96-366	331		I-98-13	BC98-157	351
	I-92-71	BC93-386	276	restrictions on use of seal/tack	I-95-12	BC94-644	308
	I-95-02	BC94-446	299		I-83-46	BC80-173	35
	I-01-26	BC02-3547	405		I-83-66	BC83-116	53
control of welders	I-86-66	BC85-094A	152	single fillet welds	I-86-76	BC85-486	155
	I-01-24	BC02-3539	404	spiral welds	I-92-86	BC93-709	284
defects	I-92-10	BC91-286	233	tapered transitions	I-89-63	BC90-607	212
equipment	I-83-45	BC80-038A	34	traceability	I-86-11	BC85-299	102
	I-83-52	BC82-769	45	tube-to-tubesheets	I-92-78	BC93-535	281
examination requirements	I-89-60	BC90-347	211		I-83-51	BC83-148	44
filler metal specification	I-01-15	BC01-718	397	welded joints	I-89-08	BC88-227	168
fillet	I-01-21	BC02-112A	403	weld thickness	I-98-34	BC99-553	374
full penetration	I-83-08R	BC77-783*	61		I-89-62	BC90-514	212
	I-83-79	BC83-525	64		I-89-71	BC90-866	221
heads to shells	I-89-46	BC89-354	195		I-04-36	BC06-0188	437
identification of welders	I-86-71	BC87-404	153		I-10-01	09-97	453
in electric boilers	I-83-38	BC82-493	31	<b>Working Pressure</b>			
longitudinal	I-89-43	BC89-347	194	maximum allowable	I-89-68	BC90-606	220
low-alloy steels	I-92-41	BC92-260	256				
Non-Certificate holder	I-89-59	BC88-181	211				

INTENTIONALLY LEFT BLANK











# 2010 ASME Boiler and Pressure Vessel Code

AN INTERNATIONAL CODE



The ASME Boiler and Pressure Vessel Code (BPVC) is "An International Historic Mechanical Engineering Landmark," widely recognized as a model for codes and standards worldwide. Its development process remains open and transparent throughout, yielding "living documents" that have improved public safety and facilitated trade across global markets and jurisdictions for nearly a century.

ASME also provides BPVC users with integrated suites of related offerings:

- referenced standards
- related standards and guidelines
- conformity assessment programs
- training courses
- ASME press books and journals
- conferences and proceedings

You gain unrivalled insight direct from the BPVC source, along with the professional quality and real-world solutions you have come to expect from ASME.

For additional information and to order:

Phone: 1.800.843.2763  
Email: [infocentral@asme.org](mailto:infocentral@asme.org)  
Website: [go.asme.org/bpvc10](http://go.asme.org/bpvc10)

ISBN 978-0-7918-3230-1



X00010